



US00D959714S

(12) **United States Design Patent**  
**Lin**

(10) **Patent No.:** **US D959,714 S**

(45) **Date of Patent:** **\*\* Aug. 2, 2022**

(54) **AUTOMOBILE TAIL LIGHT**

(71) Applicant: **Chi-Chung Lin**, Hsinchu (TW)

(72) Inventor: **Chi-Chung Lin**, Hsinchu (TW)

(\*\*) Term: **15 Years**

(21) Appl. No.: **29/800,460**

(22) Filed: **Jul. 21, 2021**

(51) **LOC (13) Cl.** ..... **26-06**

(52) **U.S. Cl.**  
USPC ..... **D26/28**

(58) **Field of Classification Search**  
USPC ..... D26/28, 36, 139  
CPC ..... F21S 48/00; F21S 48/10; F21S 48/115;  
F21S 48/225; F21S 48/1233; F21S  
48/1266; F21S 48/1388; F21S 48/2268;  
F21V 5/00; F21V 21/04; F21V 29/004;  
B60Q 9/13; B60Q 9/135; B60Q 9/1375;  
F21W 2102/17; F21W 2103/00; F21W  
2103/35; F21W 2103/55; F21W 2107/13;  
F21W 2107/17

See application file for complete search history.

(56) **References Cited**

**U.S. PATENT DOCUMENTS**

D467,366 S	12/2002	Shiesh
D468,036 S	12/2002	Horowitz
D469,554 S	1/2003	Horowitz
D472,996 S	4/2003	Horowitz
D473,666 S	4/2003	Horowitz
D475,474 S	6/2003	Hsieh et al.
D483,886 S	12/2003	Horowitz

D604,874 S	*	11/2009	Golden	.....	D26/28
D694,921 S		12/2013	Mackay		
D703,847 S	*	4/2014	MacKay	.....	D26/28
D735,911 S	*	8/2015	O'Donnell	.....	D26/28
D744,678 S	*	12/2015	Lai	.....	D26/28
D745,725 S	*	12/2015	McMahan	.....	D26/28
D749,246 S	*	2/2016	Thole	.....	D26/28
D830,590 S		10/2018	Lai		
D896,408 S		9/2020	Gillam et al.		
D899,642 S		10/2020	Yang		
D901,046 S		11/2020	Yang		
D917,750 S		4/2021	Yang		
D919,861 S		5/2021	Wraith et al.		
D919,862 S		5/2021	Wraith et al.		
D923,829 S		6/2021	Chen		
D925,794 S		7/2021	Lin		

\* cited by examiner

*Primary Examiner* — Marcus A Jackson

(74) *Attorney, Agent, or Firm* — Alexander Chen, Esq.

(57) **CLAIM**

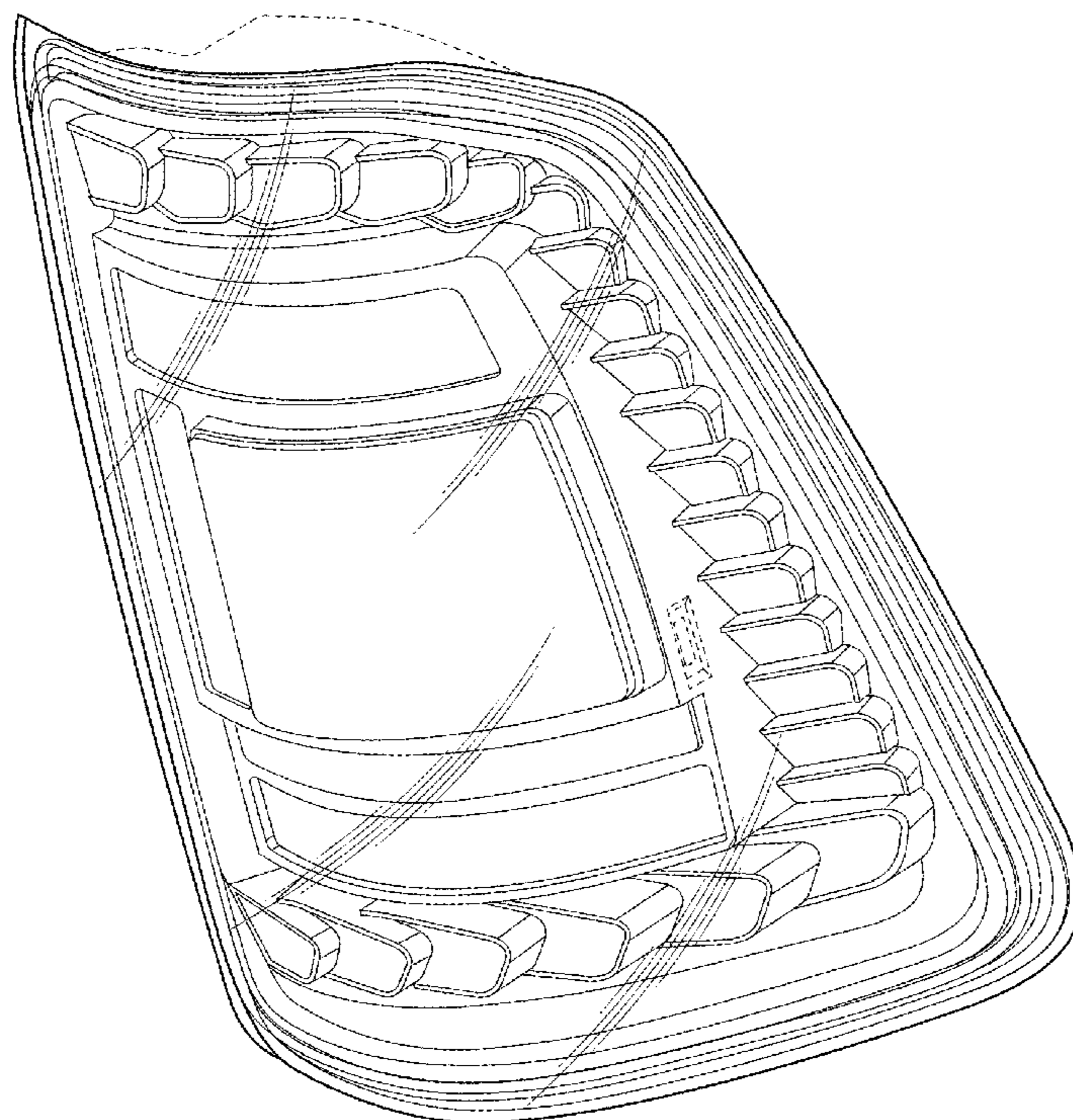
The ornamental design for an automobile tail light, as shown and described.

**DESCRIPTION**

FIG. 1 is a perspective view of an automobile tail light; FIG. 2 is a front view thereof; FIG. 3 is a side view thereof; FIG. 4 is a top view thereof; and, FIG. 5 is a bottom view thereof.

Any broken lines are included to show environmental structure and form no part of the claimed design. The drawings and descriptions represent the left side embodiment. The claim is also for a mirror image right side embodiment.

**1 Claim, 5 Drawing Sheets**



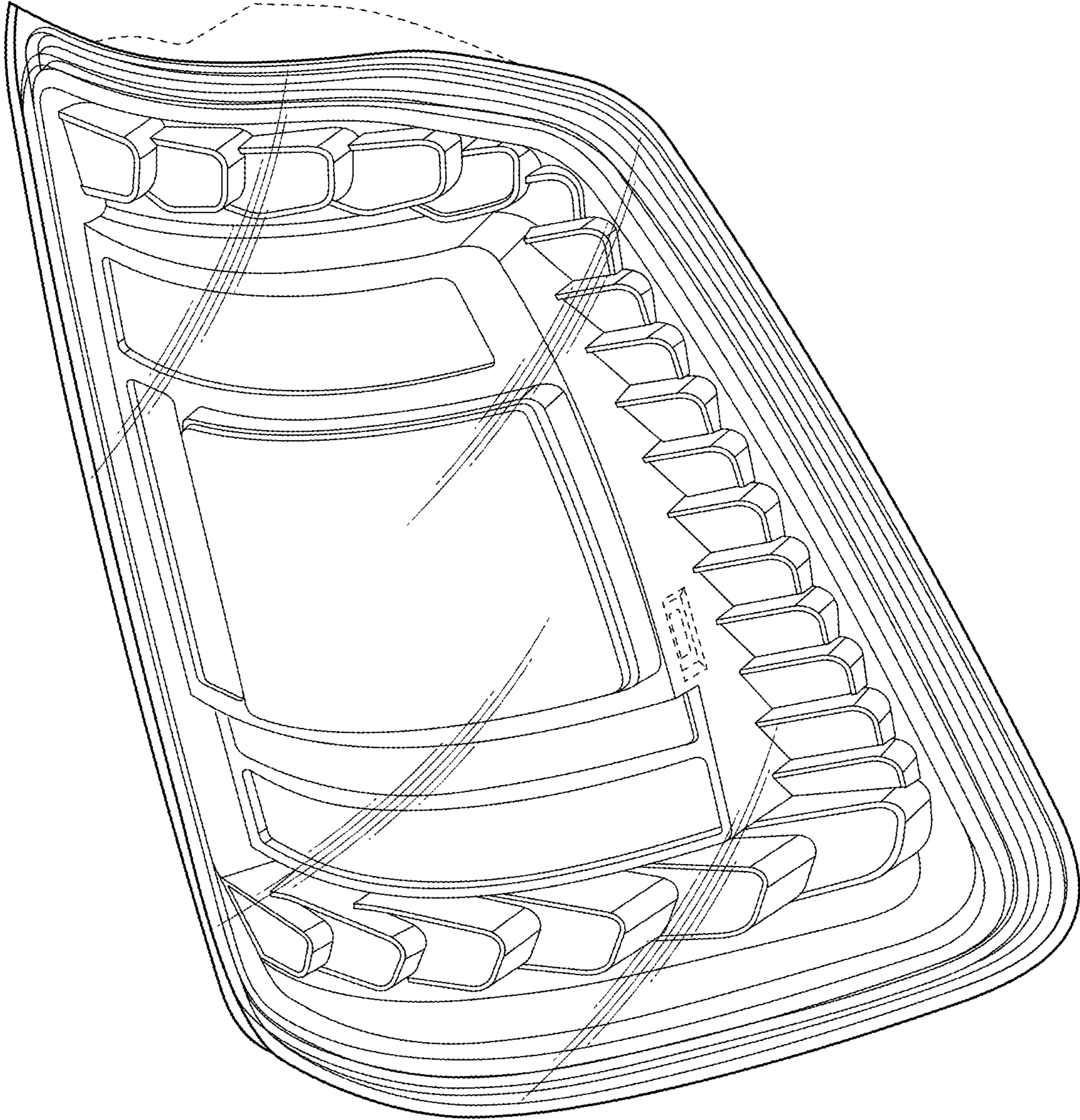


FIG. 1

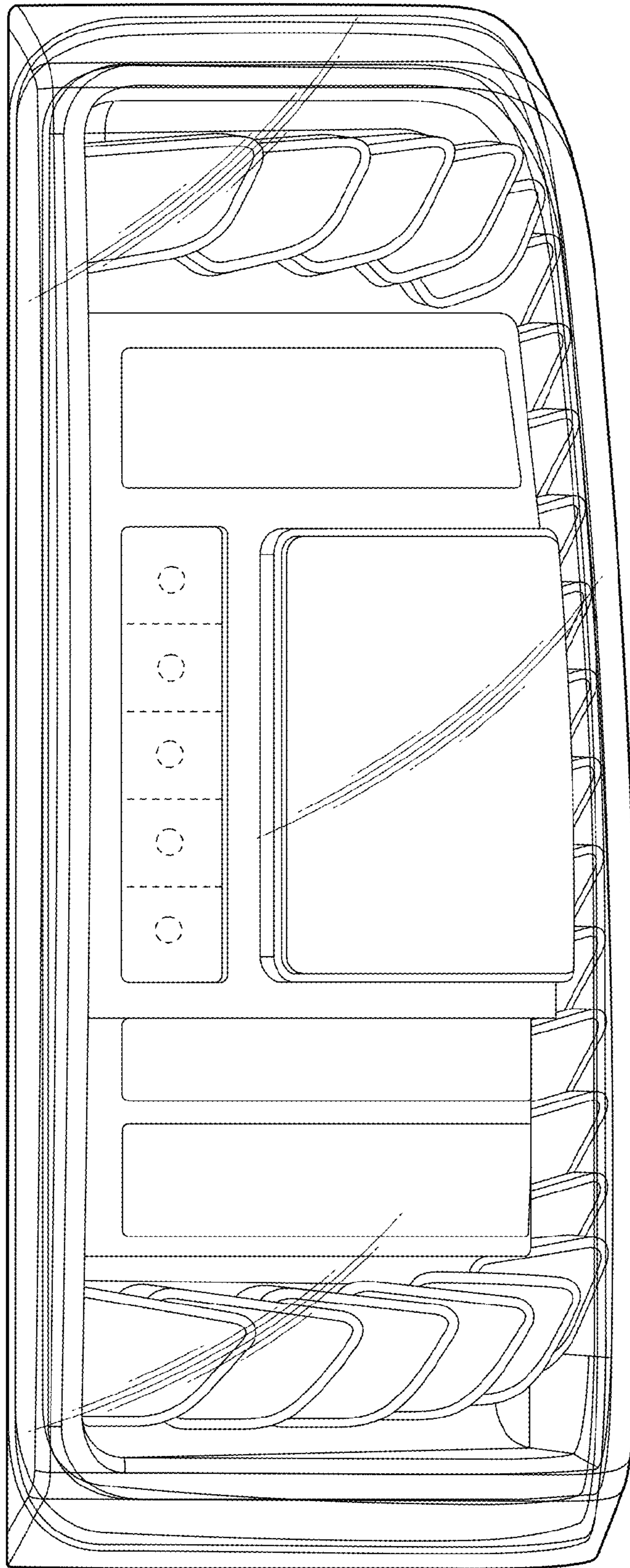


FIG. 2

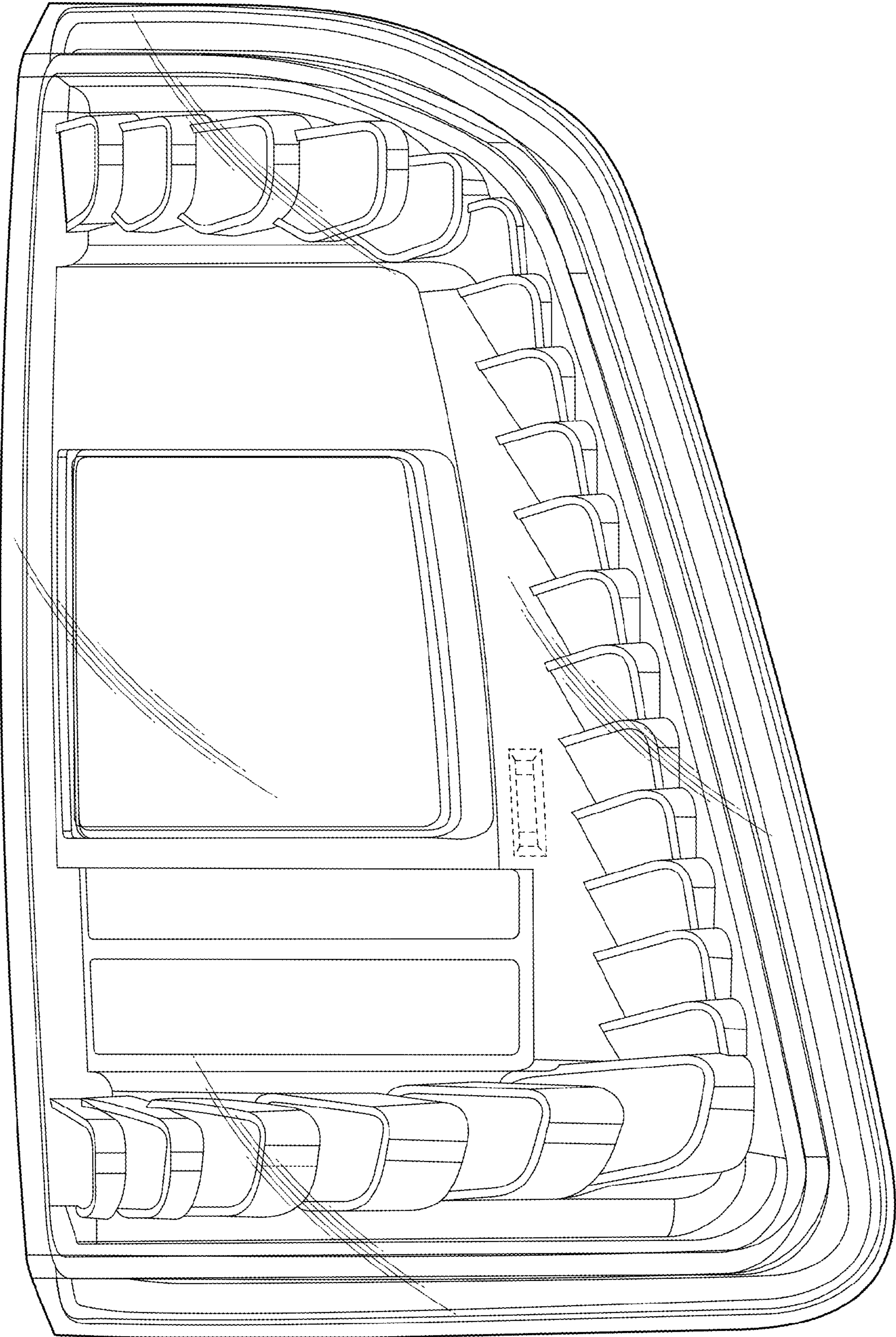


FIG. 3

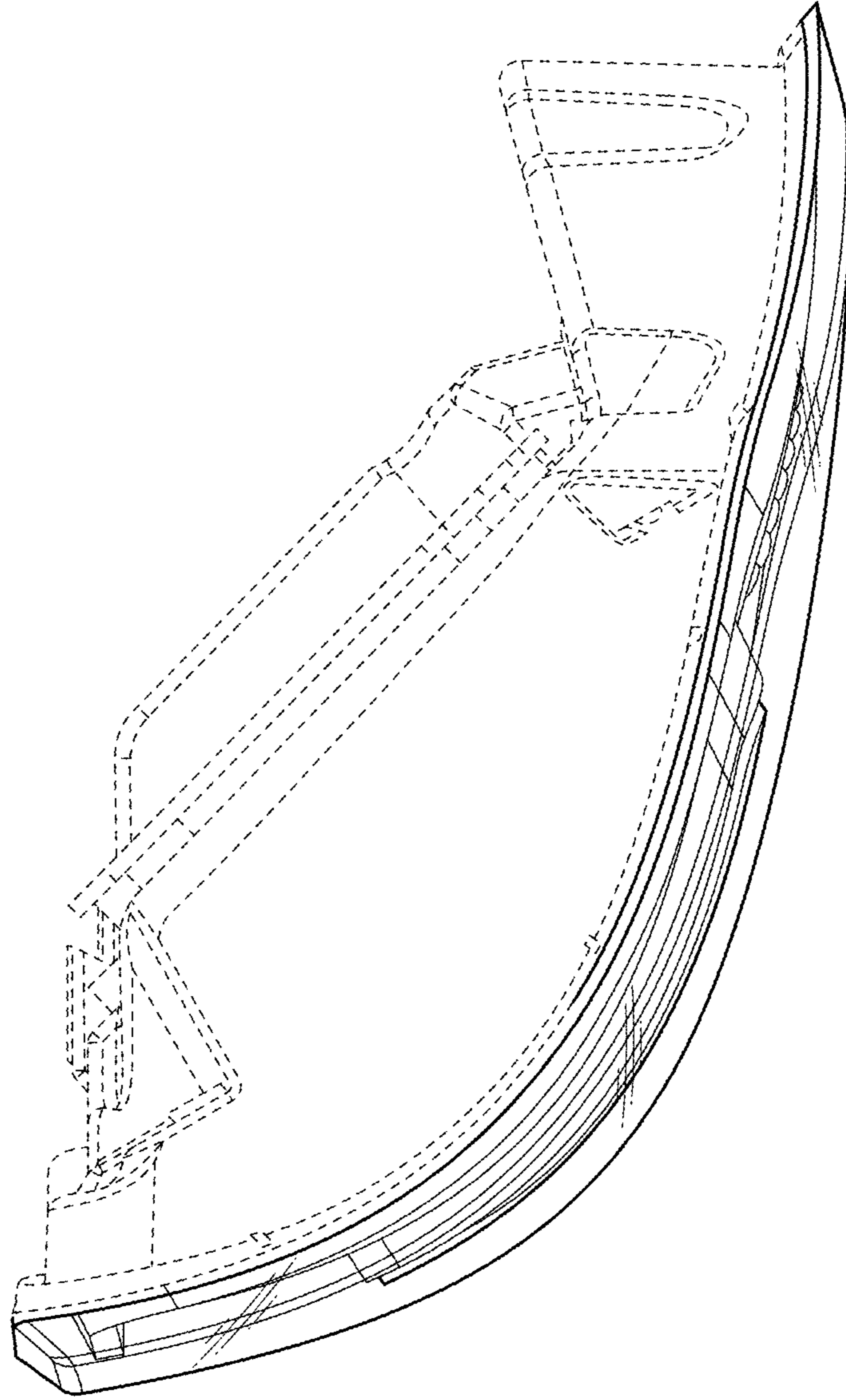


FIG. 4

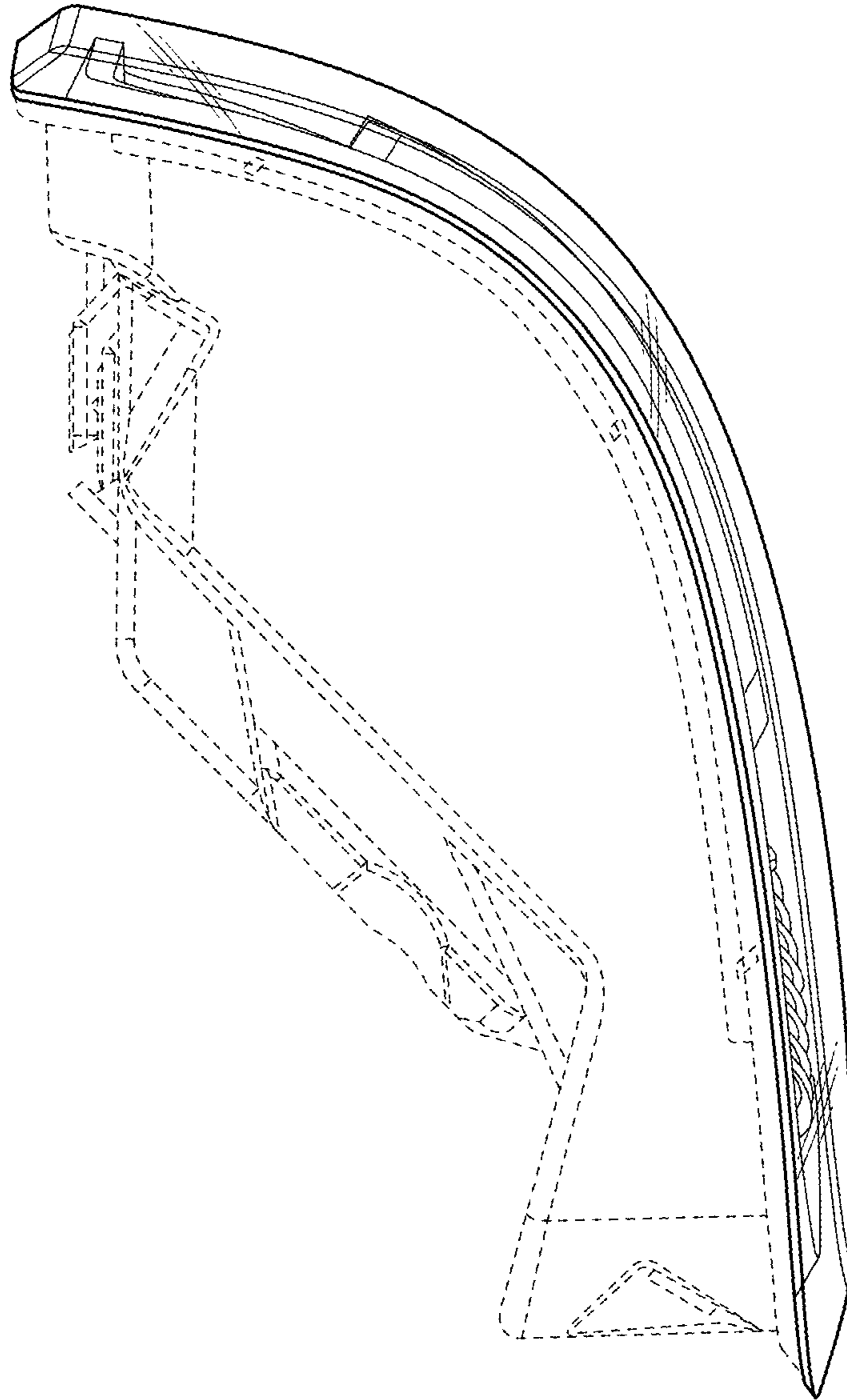


FIG. 5