



US00D959703S

(12) **United States Design Patent**  
**Karau**

(10) **Patent No.:** **US D959,703 S**  
(45) **Date of Patent:** **\*\* Aug. 2, 2022**

- (54) **RANDOM LINEAR PAVING SLAB**
- (71) Applicant: **PAVESTONE, LLC**, Atlanta, GA (US)
- (72) Inventor: **William H. Karau**, Southlake, TX (US)
- (73) Assignee: **PAVESTONE, LLC**, Atlanta, GA (US)
- (\*\*) Term: **15 Years**
- (21) Appl. No.: **29/796,278**
- (22) Filed: **Jun. 23, 2021**

2006/0107610 A1 5/2006 Boserio  
 2011/0085856 A1\* 4/2011 Ma ..... E01C 11/225  
 404/39  
 2018/0051424 A1\* 2/2018 Ulislam ..... E01C 9/002

**FOREIGN PATENT DOCUMENTS**

AU 2003266855 5/2004  
 CA 2899373 A1 9/2014  
 JP 2006-233527 9/2006

\* cited by examiner

*Primary Examiner* — Doris Clark

(74) *Attorney, Agent, or Firm* — Jackson Walker LLP;  
Christopher J. Rourk

**Related U.S. Application Data**

- (62) Division of application No. 29/697,510, filed on Jul. 9, 2019, now Pat. No. Des. 928,986.
- (51) **LOC (13) Cl.** ..... **25-01**
- (52) **U.S. Cl.**  
USPC ..... **D25/113**
- (58) **Field of Classification Search**  
USPC ..... D25/113  
CPC ..... E04F 13/165; E04F 13/185; E04F 13/147;  
E04F 13/144; E04F 13/142; E04F 13/141;  
E04F 13/123; E04F 13/105; E04F 13/14;  
E01C 2201/00; E01C 2201/02; E01C  
2201/06; E01C 2201/14; E01C 15/00;  
E01C 5/02; E01C 5/04; E01C 5/06; E01C  
5/065; E01C 5/00  
See application file for complete search history.

(57) **CLAIM**

I claim, the ornamental design for a random linear paving slab, as shown and described.

**DESCRIPTION**

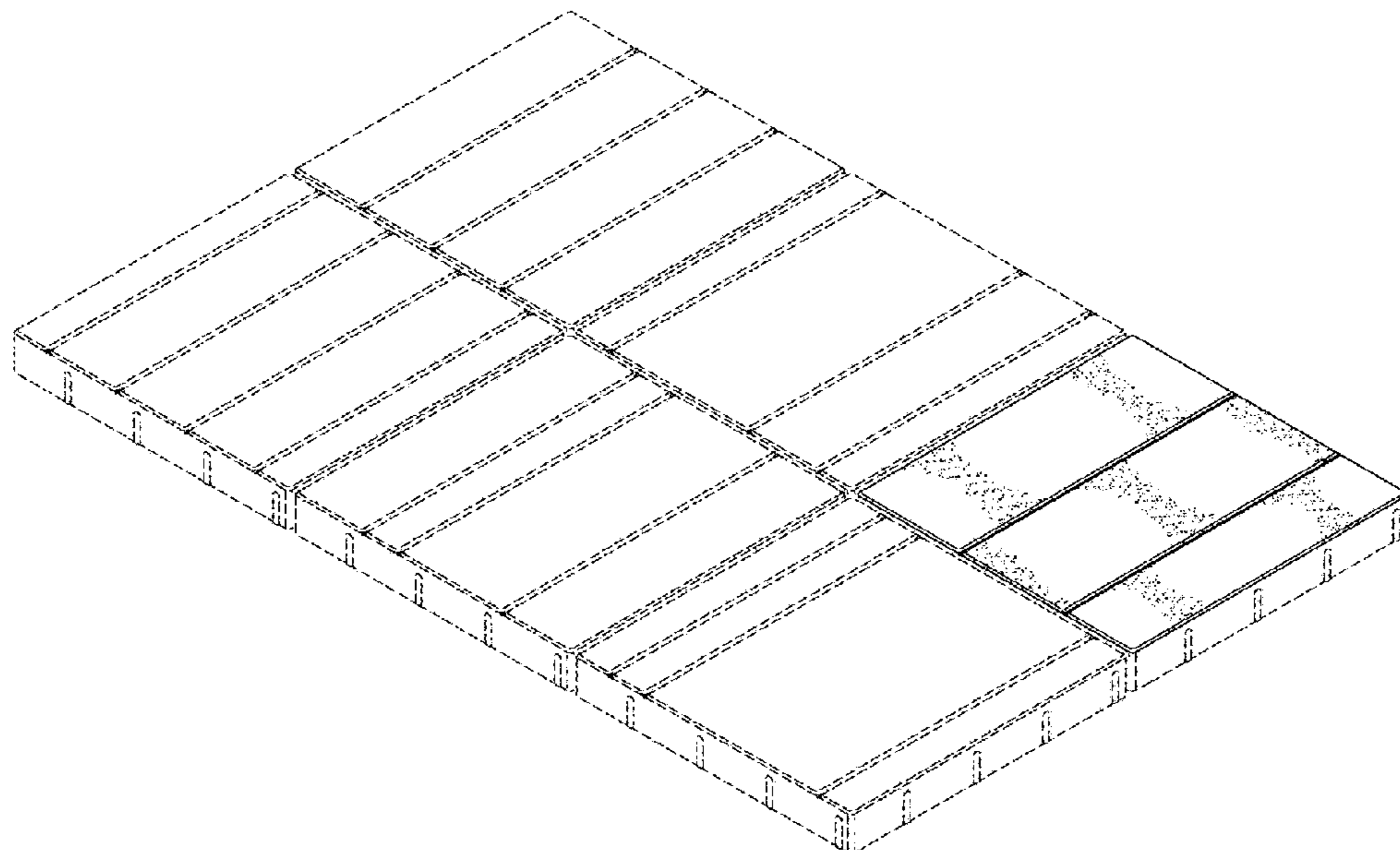
FIG. 1 shows a front perspective view of a random linear paving slab according to the present disclosure;  
 FIG. 2 shows a front elevation view of the random linear paving slab illustrated in FIG. 1;  
 FIG. 3 shows a rear elevation view of the random linear paving slab illustrated in FIG. 1;  
 FIG. 4 shows a right side view of the random linear paving slab illustrated in FIG. 1;  
 FIG. 5 shows a left side view of the random linear paving slab illustrated in FIG. 1;  
 FIG. 6 shows a top view of the random linear paving slab illustrated in FIG. 1;  
 FIG. 7 shows a bottom view of the random linear paving slab illustrated in FIG. 1; and,  
 FIG. 8 shows an environmental view of the random linear paving slab illustrated in FIG. 1.  
 The dashed broken lines are for illustrative purposes only and form no part of the claimed design.

(56) **References Cited**

**U.S. PATENT DOCUMENTS**

D346,667 S \* 5/1994 Blomquist ..... D25/113  
 D515,711 S 2/2006 Anderson ..... D25/113  
 9,127,418 B2 9/2015 Bockes et al.  
 9,951,527 B2 4/2018 Lundell ..... E01C 5/16  
 D829,931 S 10/2018 Eliason ..... D25/113  
 10,458,074 B1 10/2019 Dagesse ..... E01C 5/003

**1 Claim, 6 Drawing Sheets**



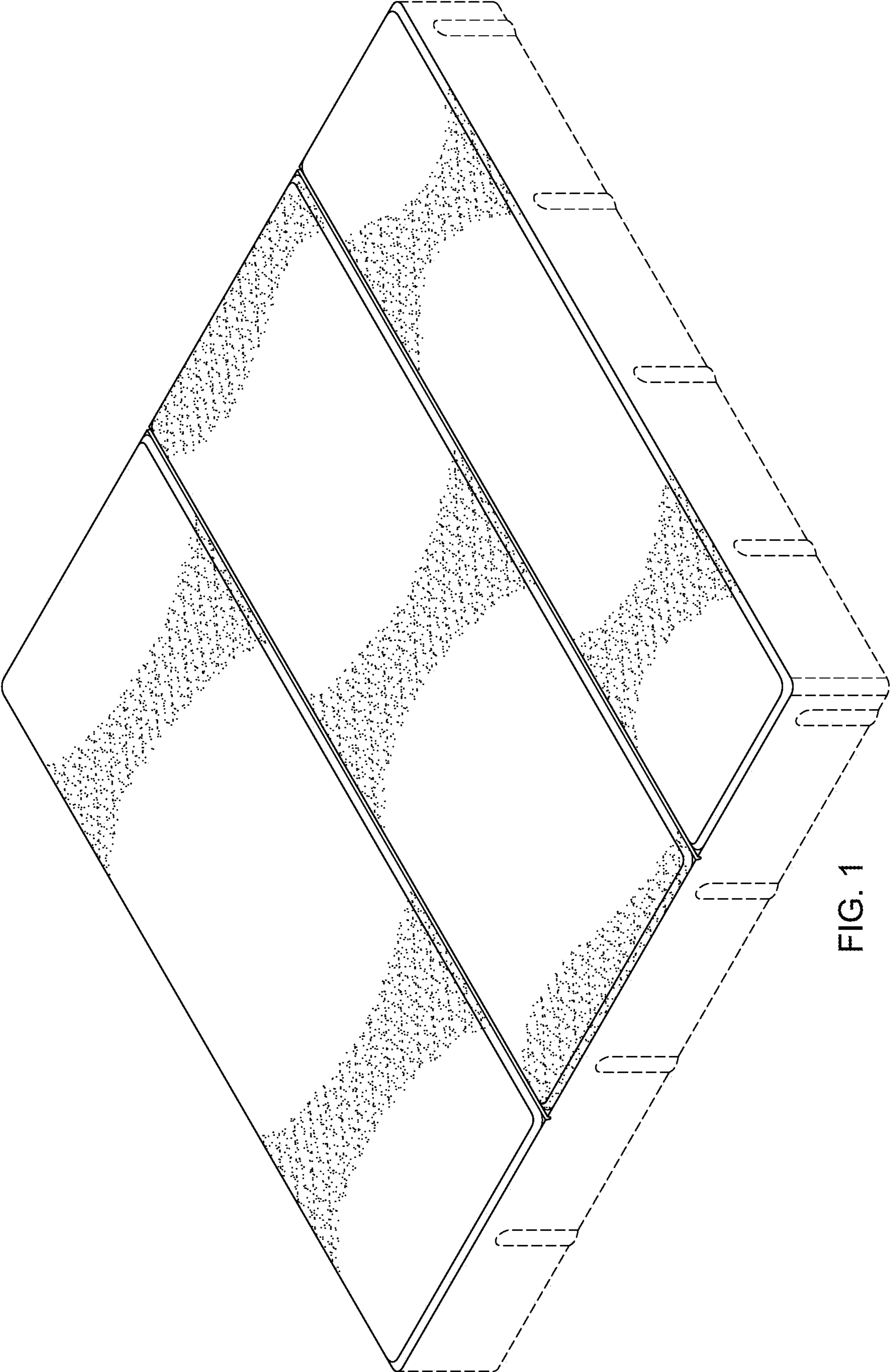


FIG. 1

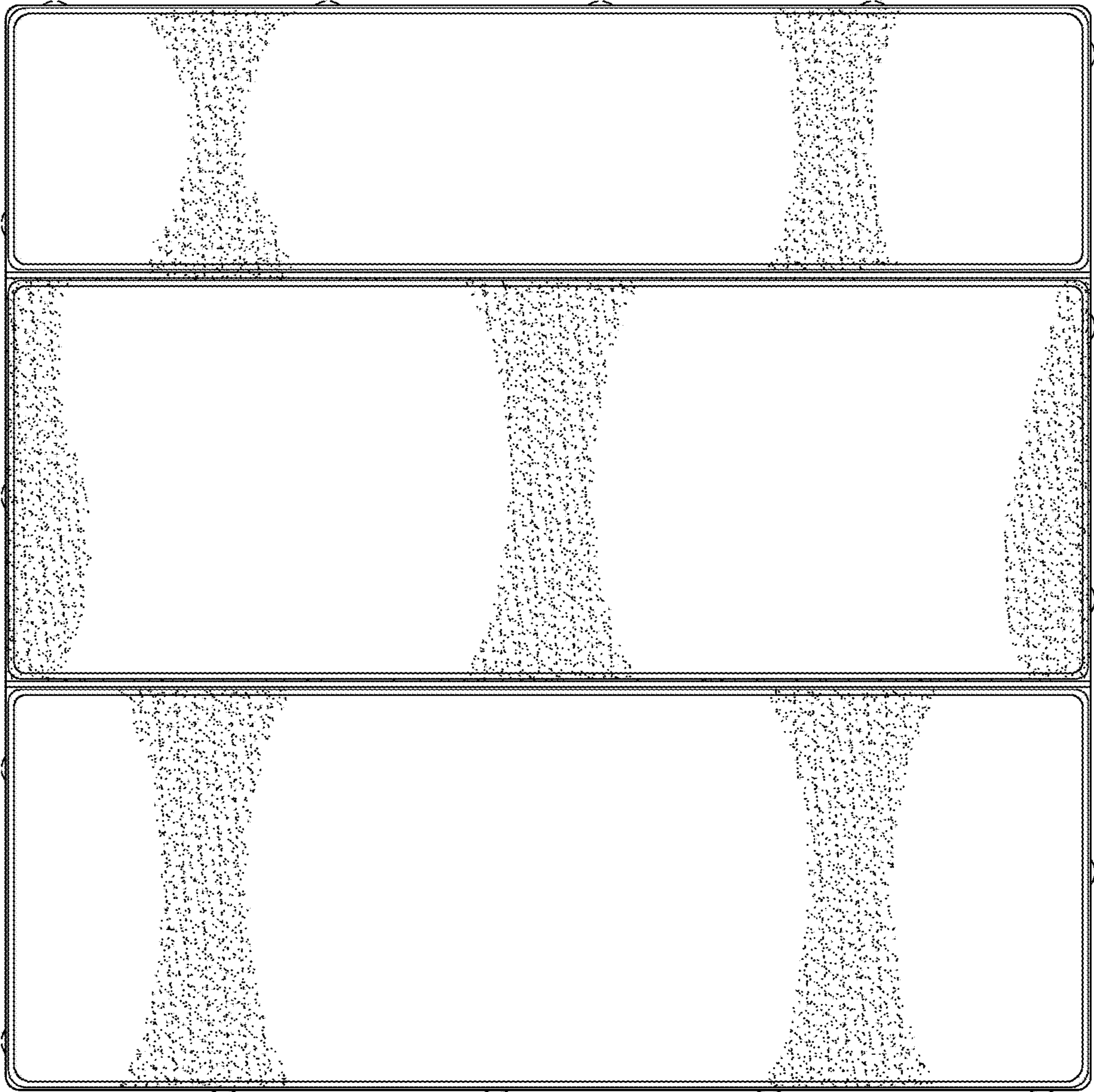
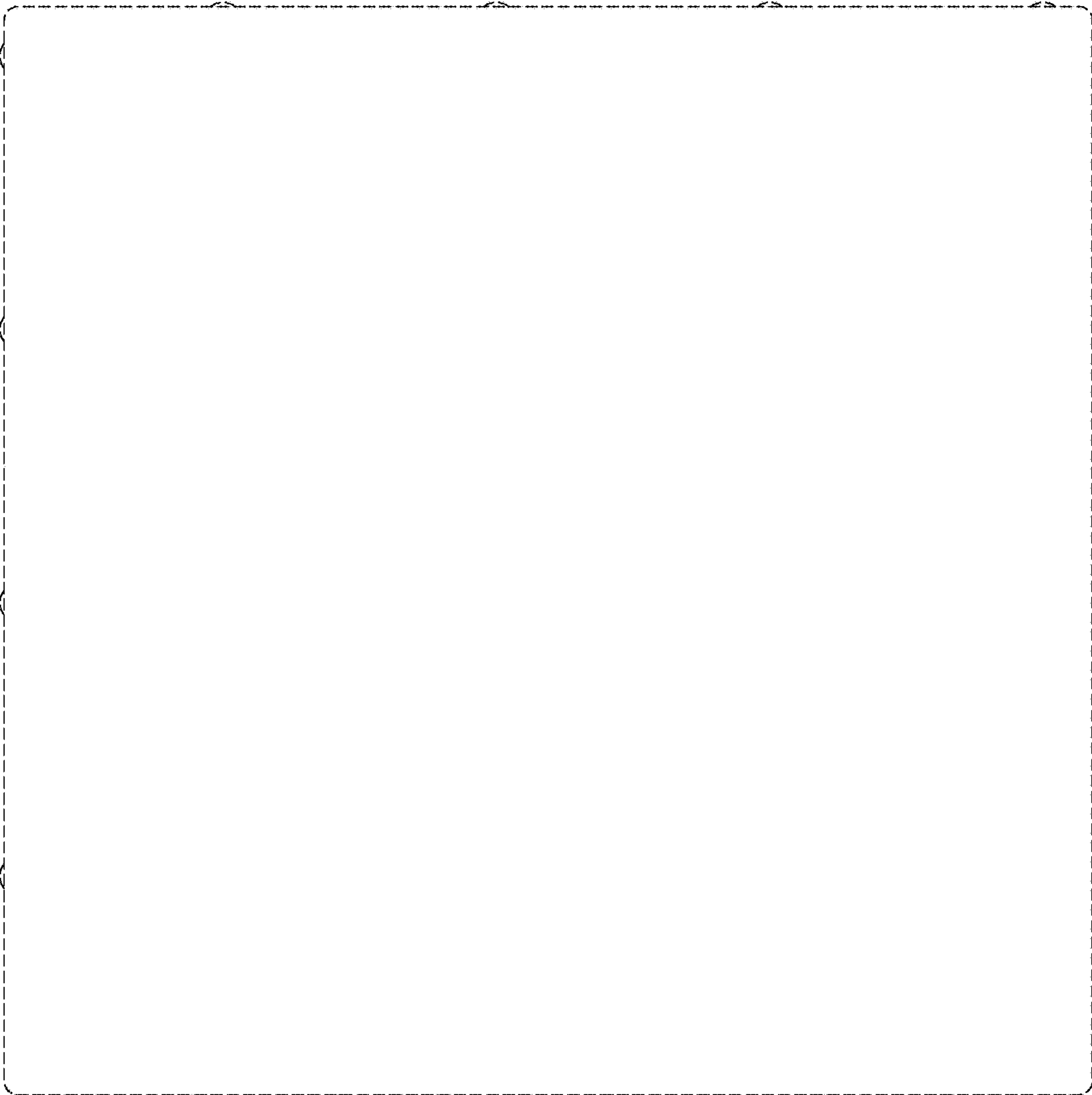


FIG. 2

FIG. 3



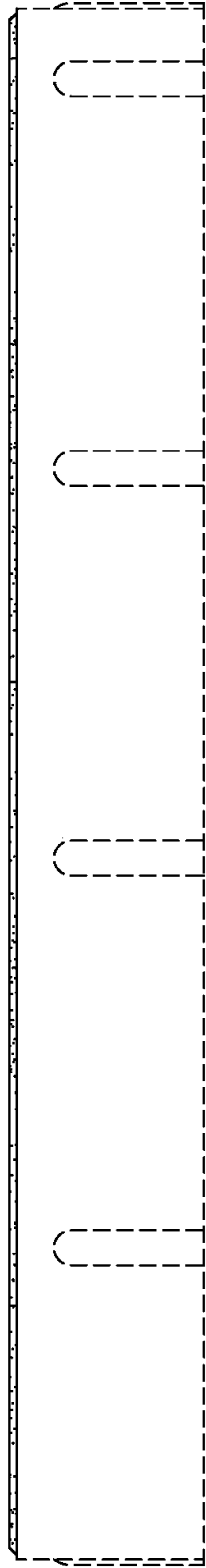


FIG. 4

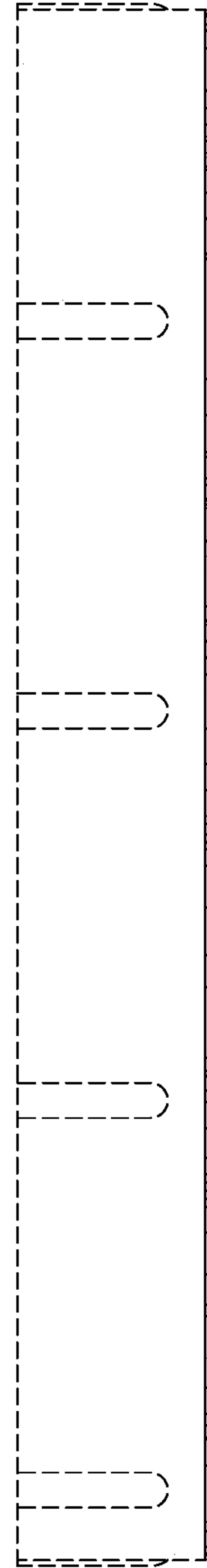


FIG. 5

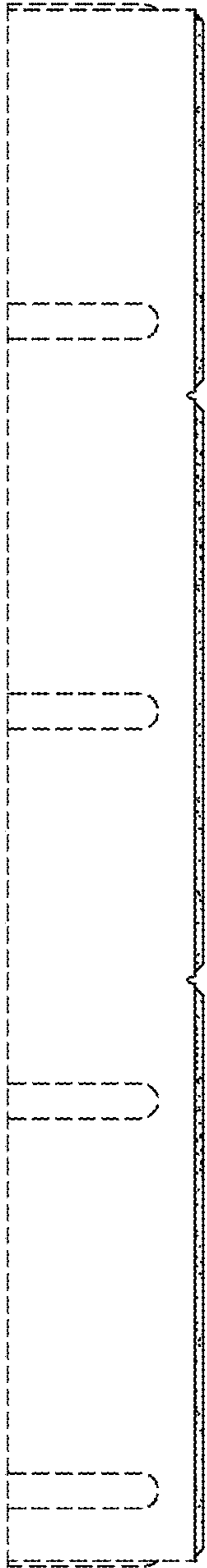


FIG. 6

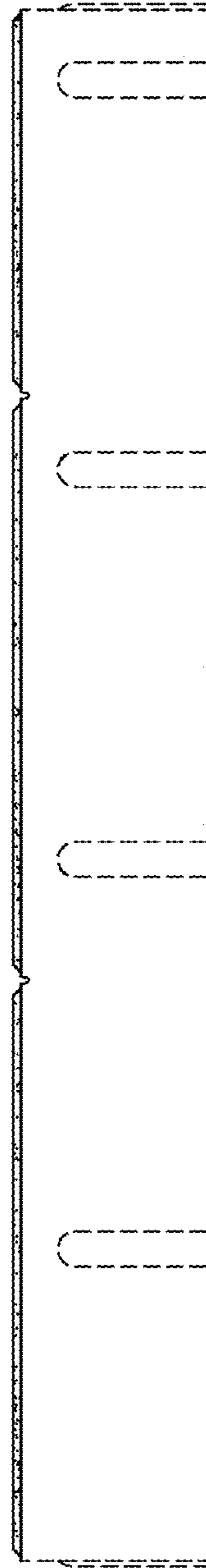


FIG. 7

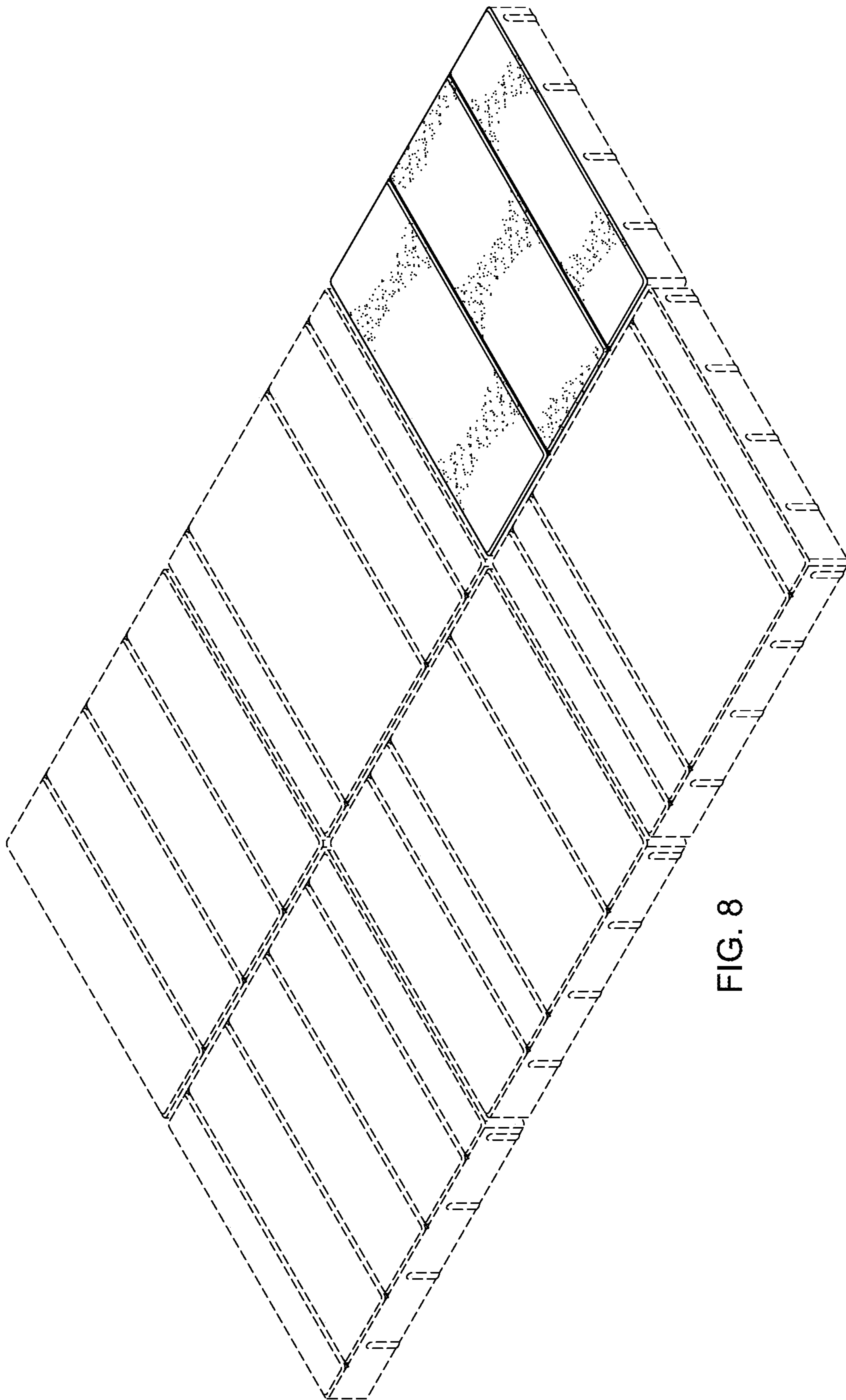


FIG. 8