



US00D959699S

(12) **United States Design Patent** (10) **Patent No.:** **US D959,699 S**
Yu (45) **Date of Patent:** **** Aug. 2, 2022**

(54) **PORTABLE INFLATABLE SPRAY BOOTH**

(71) Applicant: **Tianxiang Yu**, Guangzhou (CN)

(72) Inventor: **Tianxiang Yu**, Guangzhou (CN)

(**) Term: **15 Years**

(21) Appl. No.: **29/799,042**

(22) Filed: **Jul. 12, 2021**

(51) **LOC (13) Cl.** **25-03**

(52) **U.S. Cl.**
USPC **D25/1; D25/33**

(58) **Field of Classification Search**
USPC D21/814, 818, 820, 835; D15/199;
D25/1, 18, 21, 33

CPC ... E04H 15/20; E04H 15/22; E04H 2015/201;
E04H 2015/204; B60J 7/102; B60J
7/1256; A63B 63/004; A63H 33/008

See application file for complete search history.

(56) **References Cited**

U.S. PATENT DOCUMENTS

5,226,261	A *	7/1993	Wilbourn	B60J 7/1256 52/2.21
D437,380	S *	2/2001	Gourchounian	D21/835
D439,946	S *	4/2001	Gourchounian	D21/835
D441,416	S *	5/2001	Gourchounian	D21/820
D703,829	S *	4/2014	Page	D25/33
D732,590	S	6/2015	Bedeschi		
D795,319	S	8/2017	Bedeschi		
D803,340	S *	11/2017	Scherba	D21/814
D824,471	S *	7/2018	Bagumyan	D21/818
D930,188	S *	9/2021	Xue	D25/18
2005/0284031	A1 *	12/2005	Chen	E04H 15/20 52/2.11
2012/0090248	A1 *	4/2012	Thompson	A63B 63/004 29/897
2015/0017897	A1 *	1/2015	Williams	B05B 16/80 454/51

2015/0267425	A1 *	9/2015	Harlow	E04H 1/1277 52/741.1
2017/0156961	A1 *	6/2017	Patel	E04H 1/1205
2020/0299984	A1 *	9/2020	Williams	B60S 5/00
2021/0301549	A1 *	9/2021	Williams	E04H 15/22

OTHER PUBLICATIONS

Orionet, Inflatable Paint Booth 20x13x10FT, (First available Nov. 12, 2020), Amazon.com, URL:<https://www.amazon.com/dp/B08WRZDJWC> (Year: 2020).*

(Continued)

Primary Examiner — Calvin E Vansant

Assistant Examiner — Mark T. Philipps

(74) *Attorney, Agent, or Firm* — True Shepherd, LLC;
Andrew Cheng

(57) **CLAIM**

The ornamental design for a portable inflatable spray booth, as shown and described.

DESCRIPTION

FIG. 1 is a front, right, and top perspective view of a portable inflatable spray booth, showing my design.

FIG. 2 is a rear, left, and bottom perspective view thereof.

FIG. 3 is a front elevation view thereof.

FIG. 4 is a rear elevation view thereof.

FIG. 5 is a left side elevation view thereof.

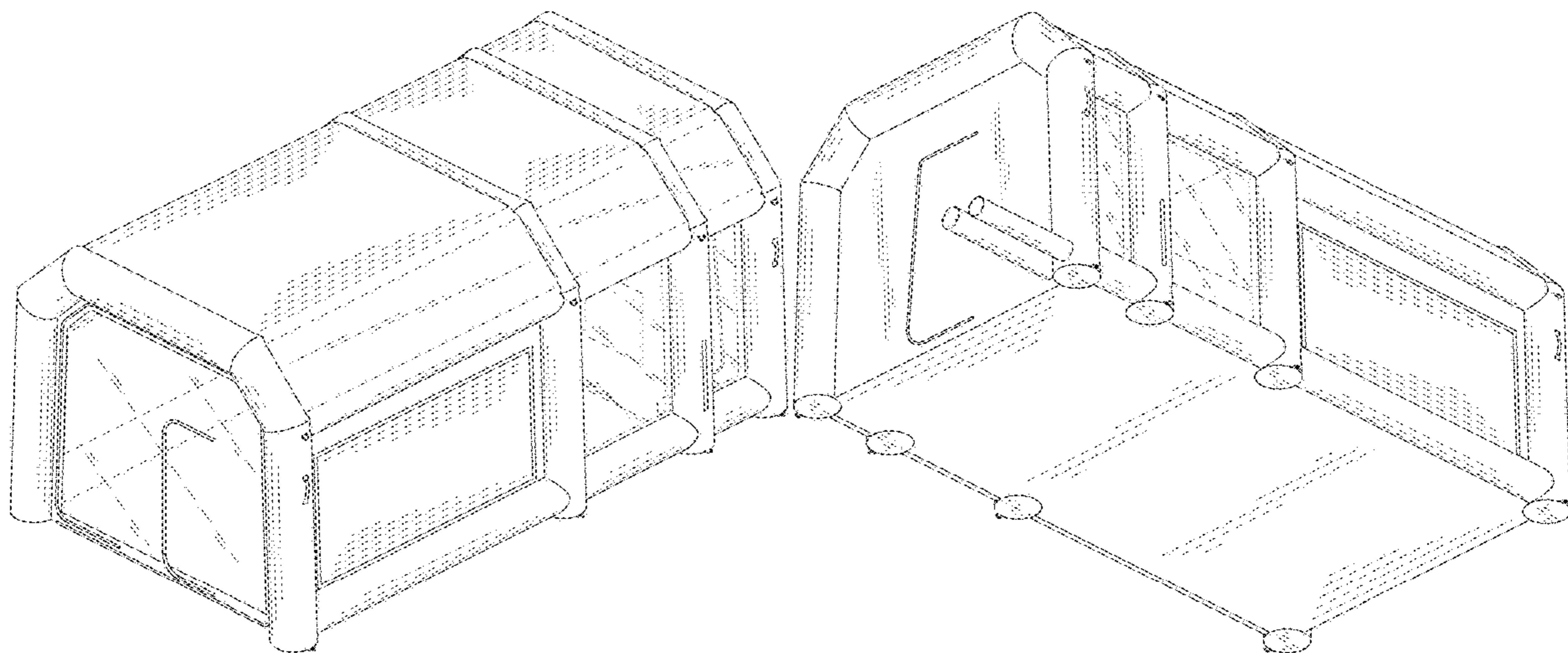
FIG. 6 is a right side elevation view thereof.

FIG. 7 is a top plan view thereof; and,

FIG. 8 is a bottom plan view thereof.

The broken lines shown in the drawings are included for the purpose of illustrating portions of the portable inflatable spray booth that form no part of the claimed design.

1 Claim, 8 Drawing Sheets



(56)

References Cited

OTHER PUBLICATIONS

Flapkwan, 28×15×10ft Inflatable Spray Paint Booth Tent with Upgrade High-Power Blowers, (first available Apr. 10, 2020), Amazon.com, URL:<<https://www.amazon.com/PeaceWin-28X15X10FT-Inflatable-High-Power-Workstation/dp/B086YF9G3Y/>> (Year: 2020).*

Vevor, Portable Inflatable Paint Booth 28×15×10ft Inflatable Spray Booth, (first available Aug. 31, 2021), Amazon.com, URL:<<https://www.amazon.com/dp/B09F2TPCFQ>> (Year: 2021).*

* cited by examiner

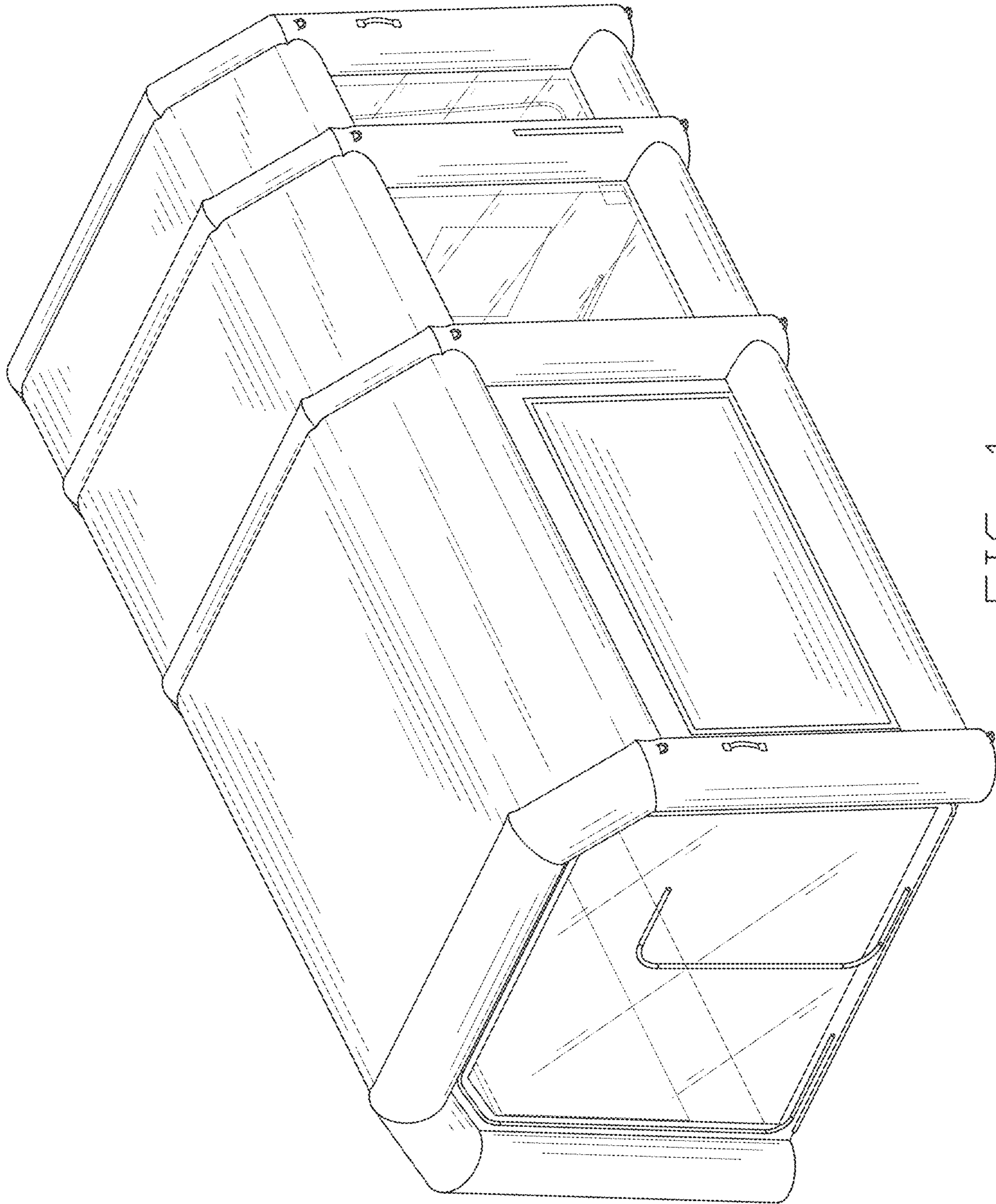


FIG. 1

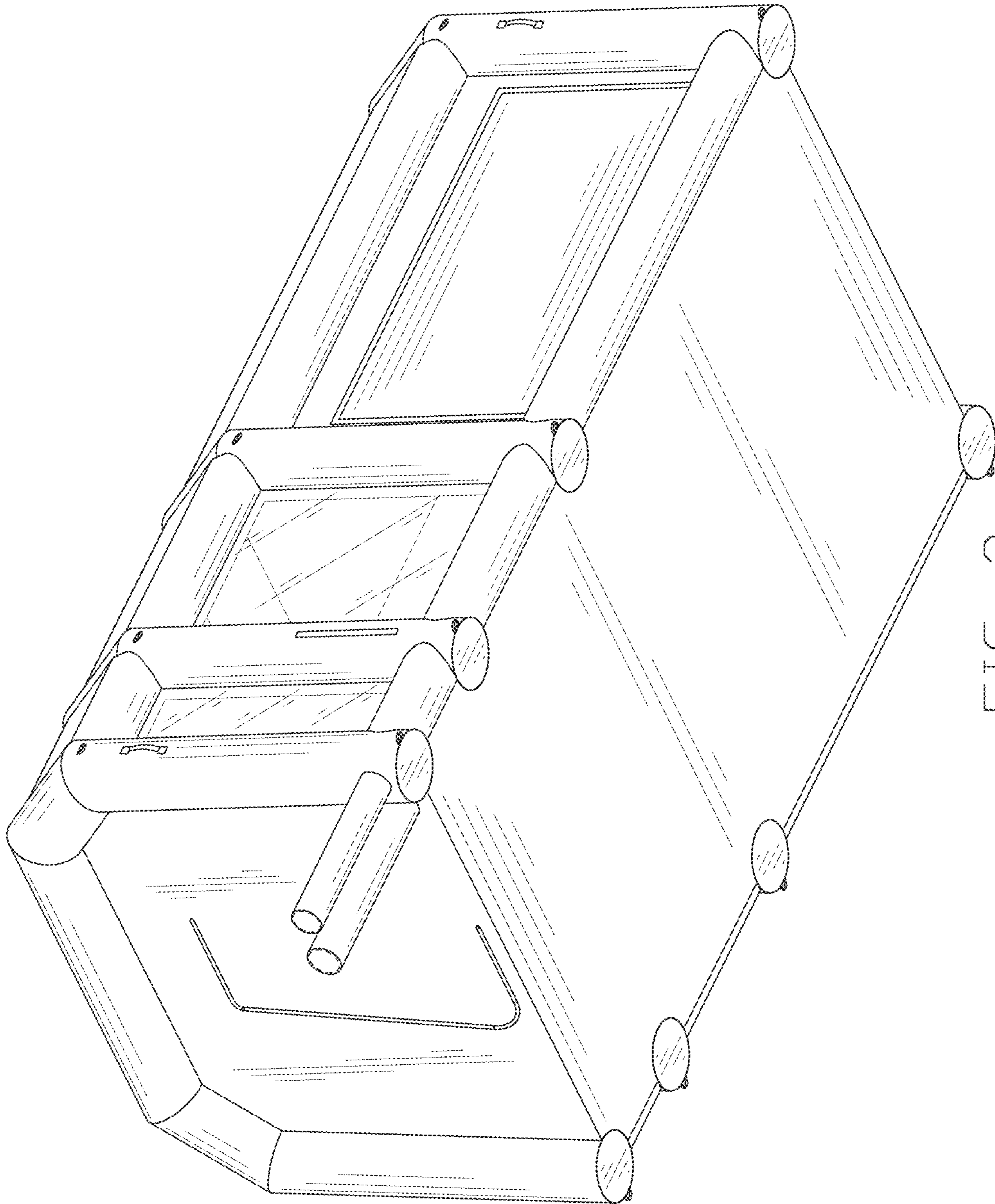


FIG. 2

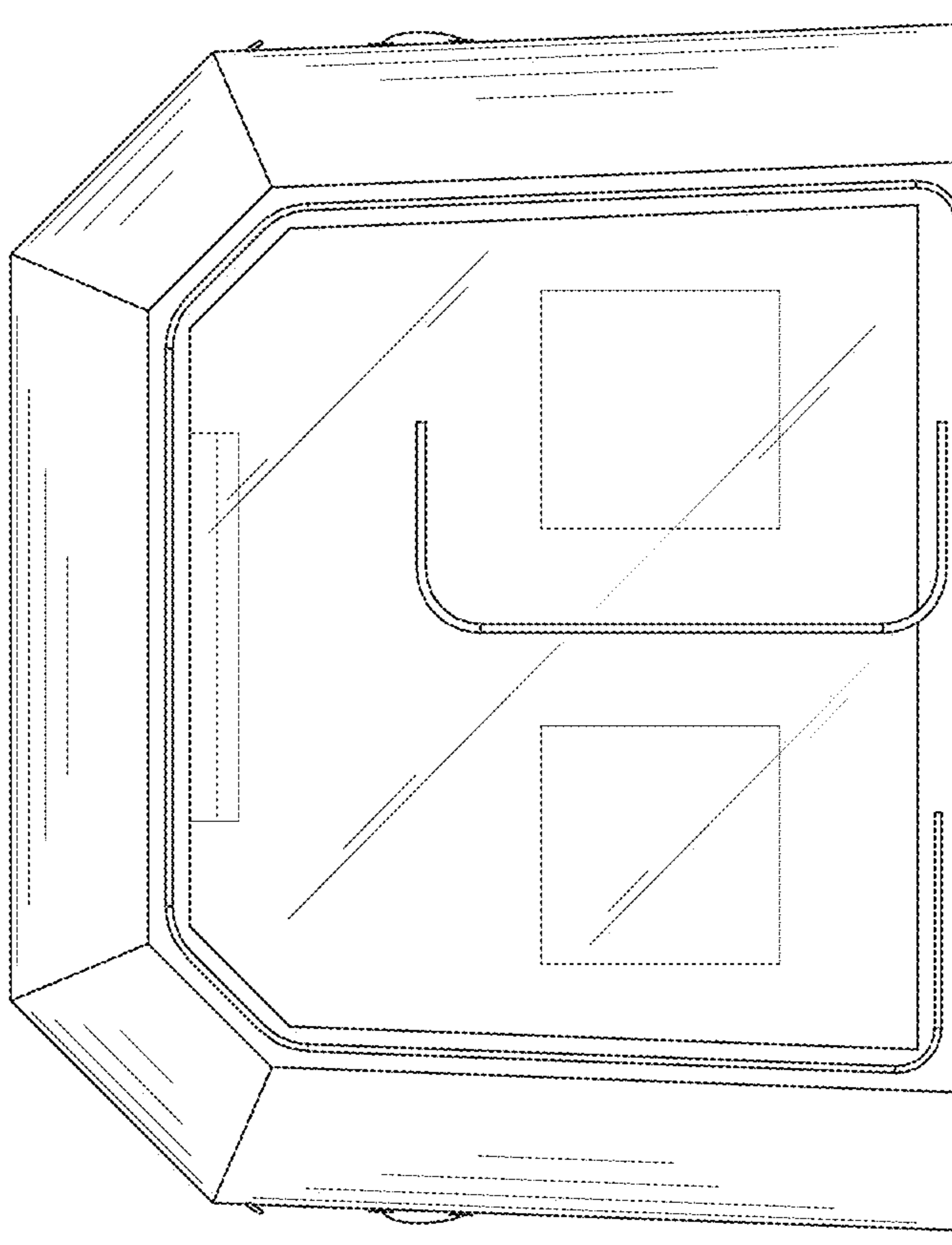


FIG. 3

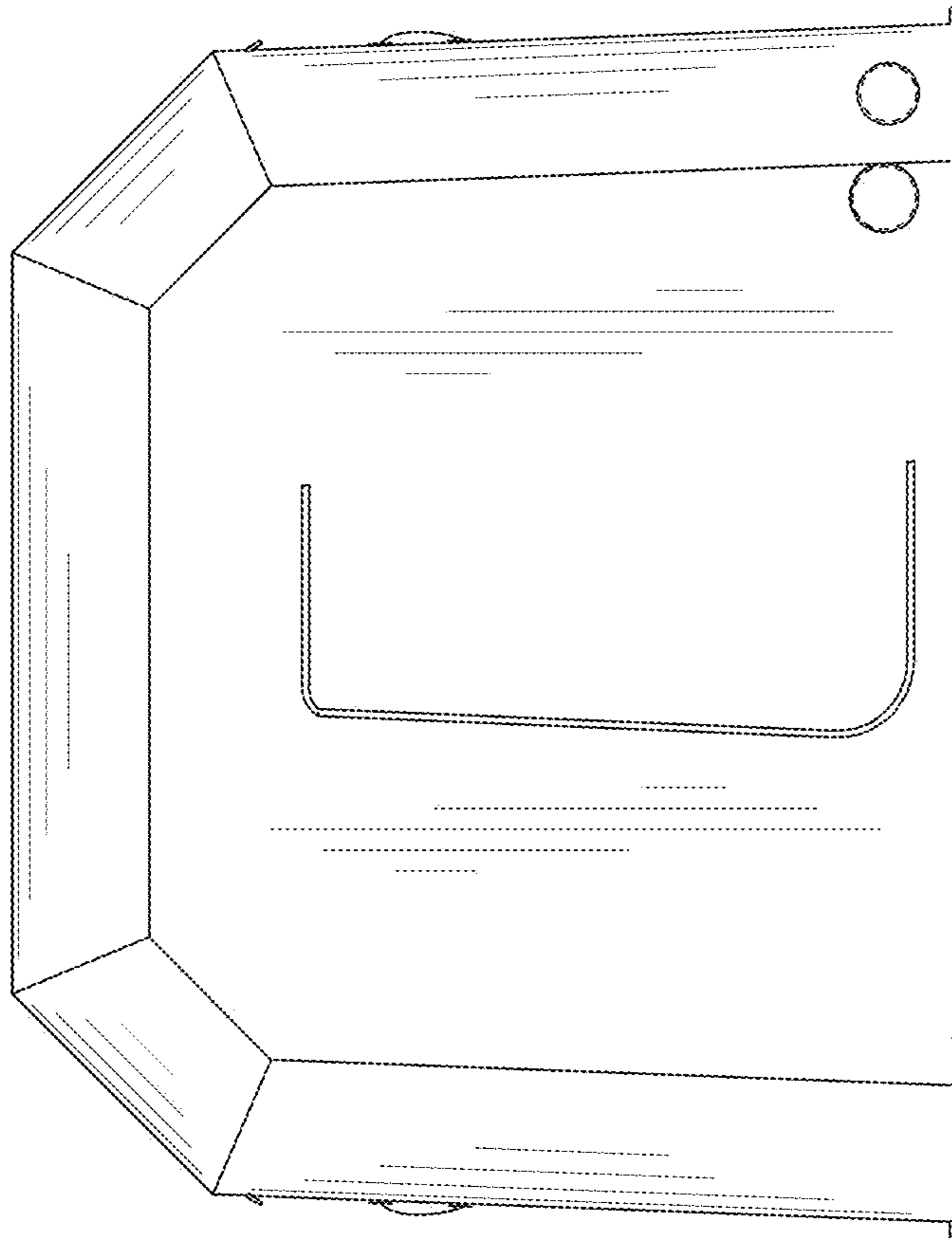


FIG. 4

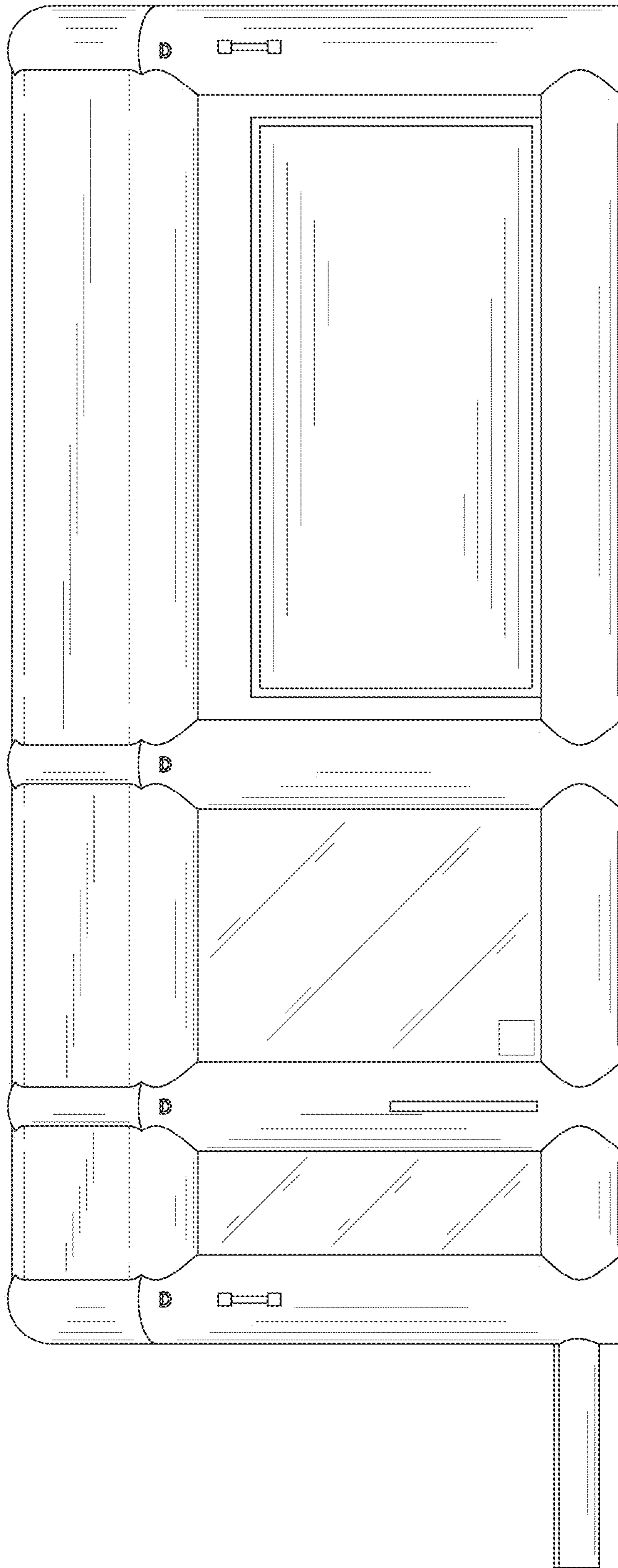


FIG. 5

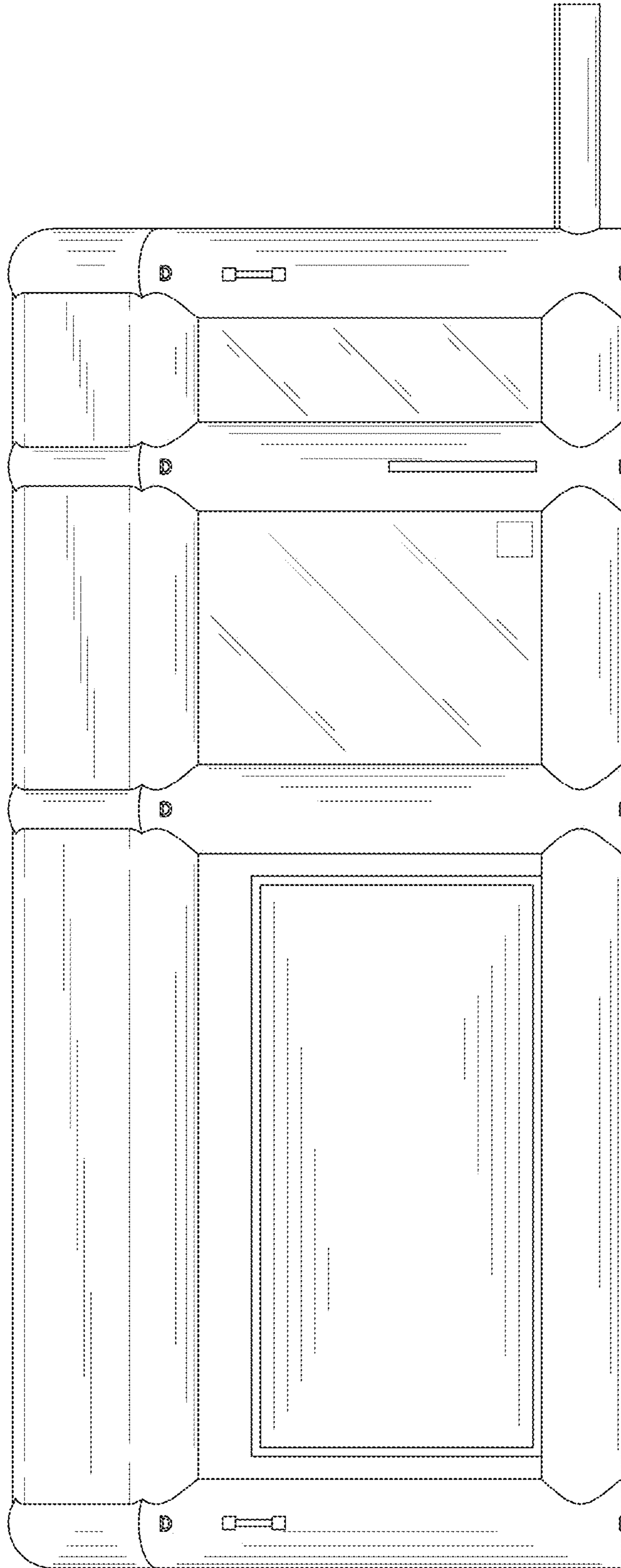


FIG. 6

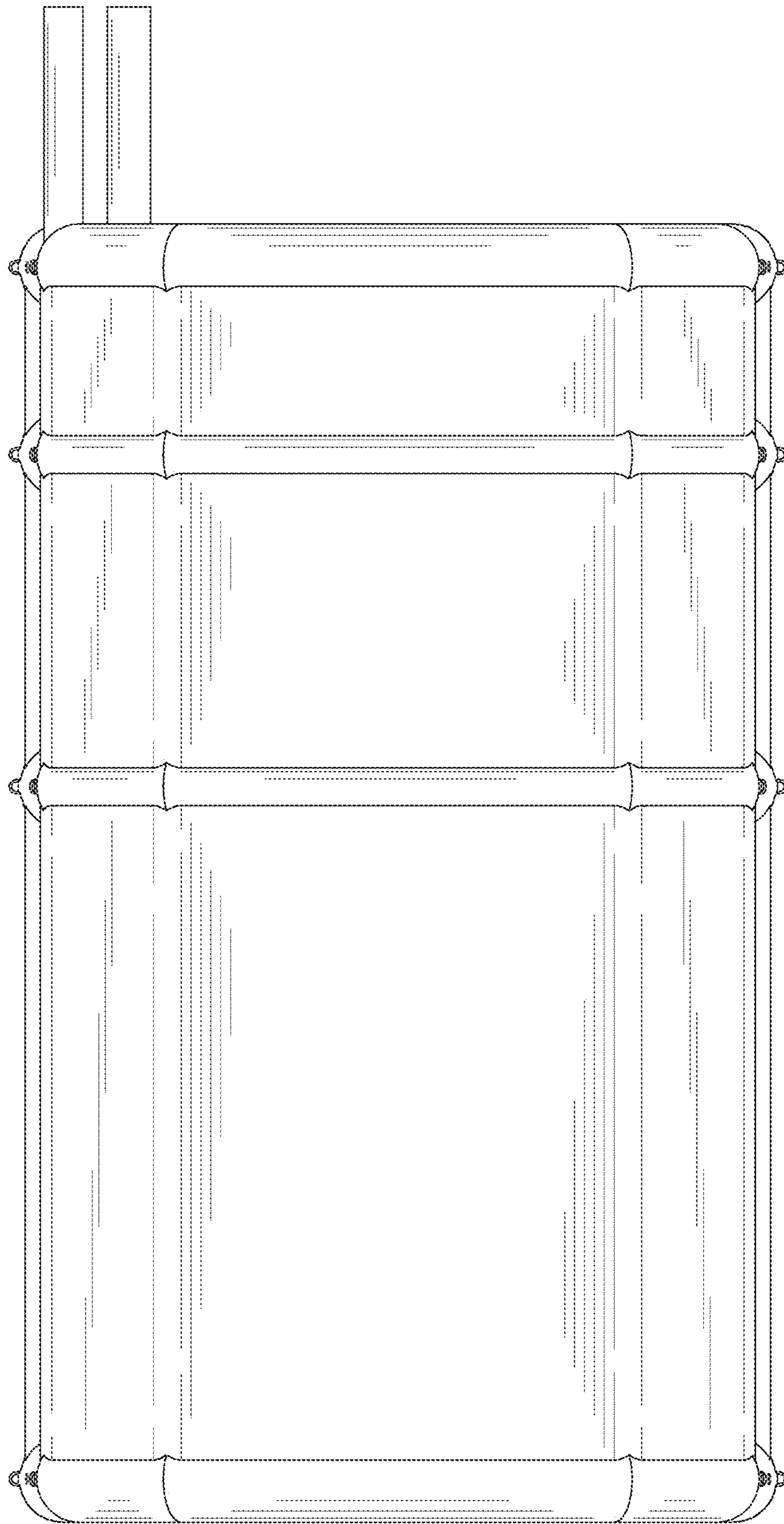


FIG. 7

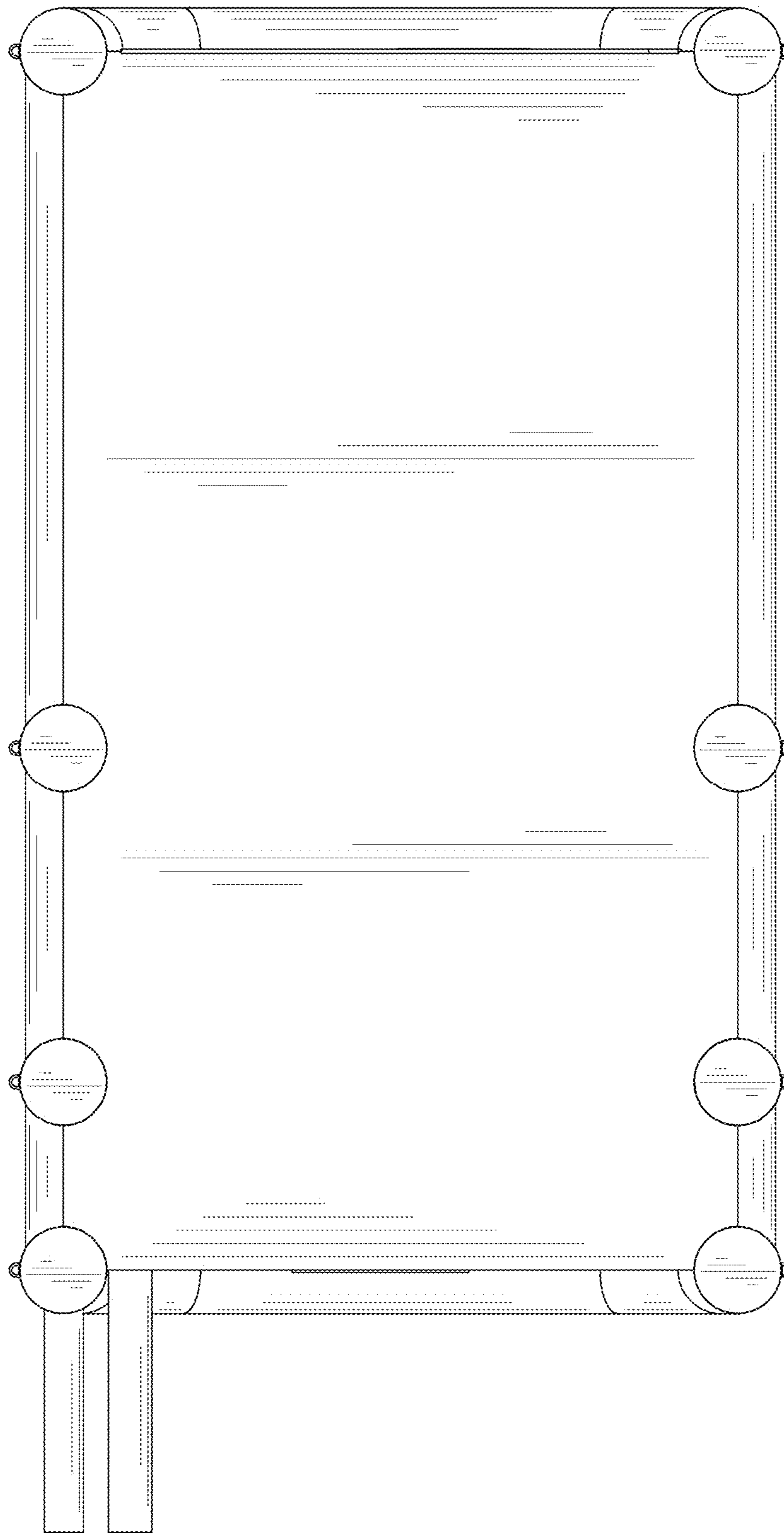


FIG. 8