



US00D959698S

(12) **United States Design Patent** (10) **Patent No.:** **US D959,698 S**
Rivera (45) **Date of Patent:** **** Aug. 2, 2022**

(54) **OUTDOOR FITNESS PAVILION** 5,216,834 A * 6/1993 Crowley A01G 9/1438
52/63
(71) Applicant: **Brandon Rivera**, Reno, NV (US) 5,555,681 A * 9/1996 Cawthon E04B 7/028
52/79.5
(72) Inventor: **Brandon Rivera**, Reno, NV (US) D443,697 S * 6/2001 Kinslow D25/34
6,758,014 B2 * 7/2004 Chen E04B 1/24
47/20.1
(**) Term: **15 Years** D642,701 S * 8/2011 Howard D25/15
D848,025 S * 5/2019 Chen D25/15
(21) Appl. No.: **29/734,275** 2004/0049991 A1 * 3/2004 Arbel A01G 9/1407
52/63

(22) Filed: **May 11, 2020**
(51) **LOC (13) Cl.** **25-03**
(52) **U.S. Cl.**
USPC **D25/1**
(58) **Field of Classification Search**
USPC D25/1-35, 56-61, 139; D6/336,
D6/666-671; 52/63, 519
CPC E04H 1/02; E04H 5/08; E04H 5/10; E04H
15/02; E04H 15/34; E04H 1/12; E04H
2001/1294
See application file for complete search history.

(56) **References Cited**
U.S. PATENT DOCUMENTS
784,492 A * 3/1905 Keen E04H 15/18
52/63
1,100,273 A * 6/1914 Wiard E04H 15/18
52/63
2,765,498 A * 10/1956 Kelnhofer E04B 1/3445
52/63
3,987,597 A * 10/1976 Smrt E04B 2/56
52/63
D245,996 S * 10/1977 Lukens D25/30
4,069,627 A * 1/1978 Pegg E04B 1/24
52/656.5
4,167,838 A * 9/1979 Metheny E04H 1/12
52/79.5
4,274,234 A * 6/1981 Abell A01G 9/1415
52/273
4,769,962 A * 9/1988 Pohl E04H 15/34
52/273

(Continued)

FOREIGN PATENT DOCUMENTS

CN 301404138 * 12/2010
CN 305212383 * 6/2019
RU 00118677 * 2/2020

Primary Examiner — Brett Miller
Assistant Examiner — Jasmine L. Comedy
(74) *Attorney, Agent, or Firm* — Standley Law Group
LLP; Adam J. Smith; Jeffrey S. Standley

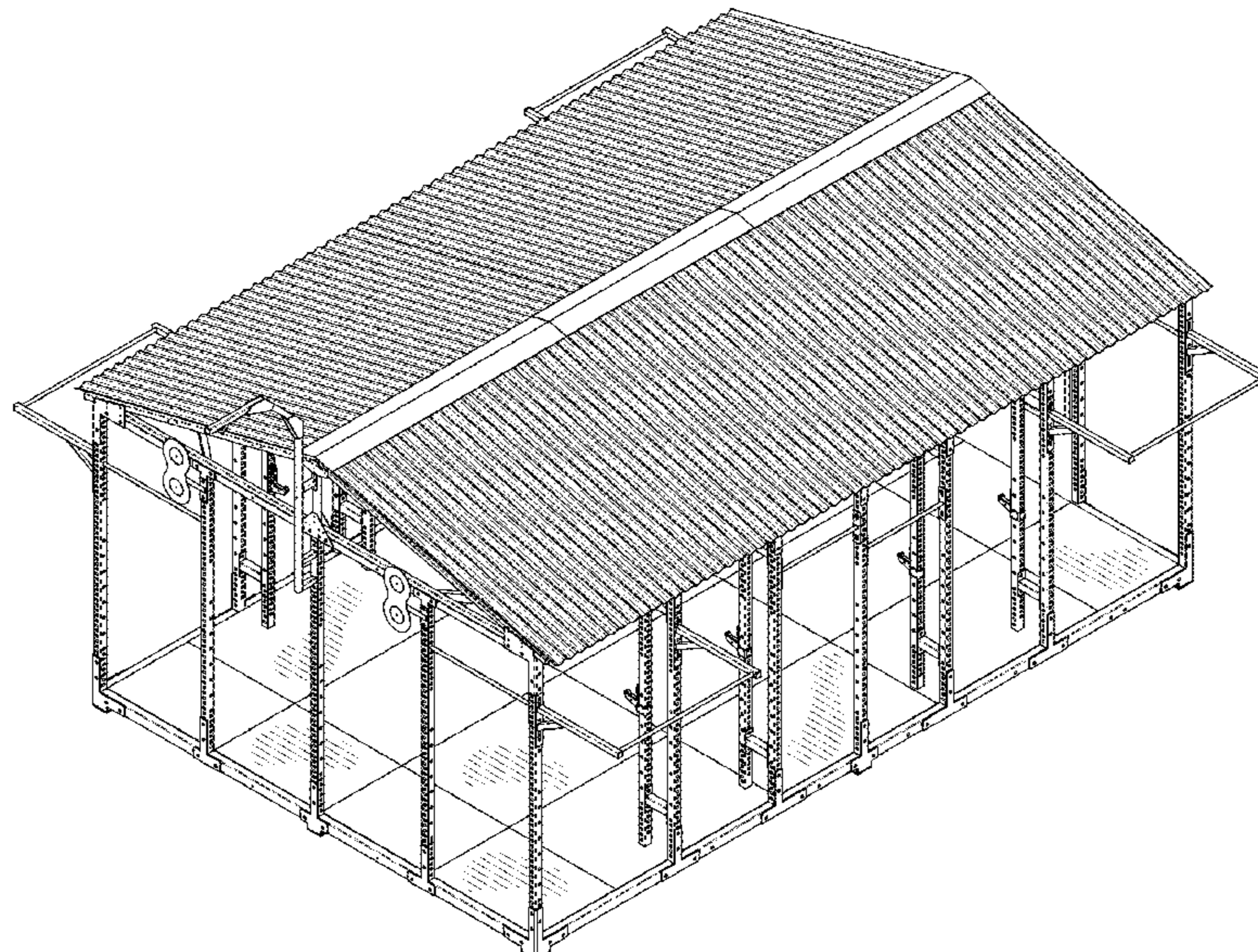
(57) **CLAIM**

The ornamental design for an outdoor fitness pavilion, as shown and described.

DESCRIPTION

FIG. 1 is a top perspective view of the outdoor fitness pavilion;
FIG. 2 is a bottom perspective view thereof;
FIG. 3 is a right side elevation view thereof;
FIG. 4 is a left side elevation view thereof;
FIG. 5 is a front elevation view thereof;
FIG. 6 is a rear elevation view thereof;
FIG. 7 is a top plan view thereof;
FIG. 8 is a bottom plan view thereof; and,
FIG. 9 is a bottom perspective view thereof with certain unclaimed features illustrated in broken line.
The broken lines form no part of the claimed design.

1 Claim, 9 Drawing Sheets



(56)

References Cited

U.S. PATENT DOCUMENTS

2013/0276382 A1* 10/2013 Workman E04H 15/54
52/63
2018/0023292 A1* 1/2018 Kramer E04H 1/02
52/63

* cited by examiner

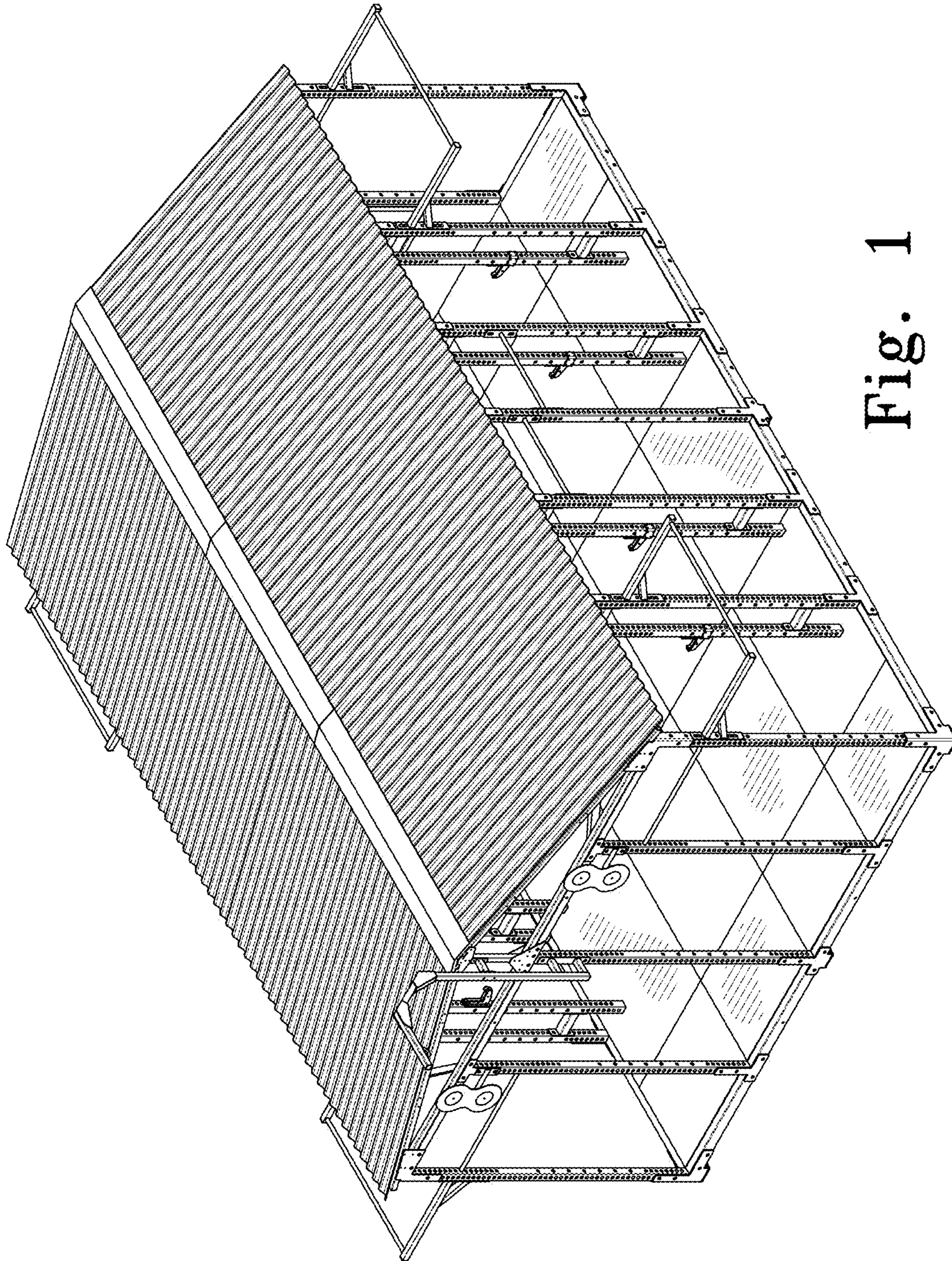


Fig. 1

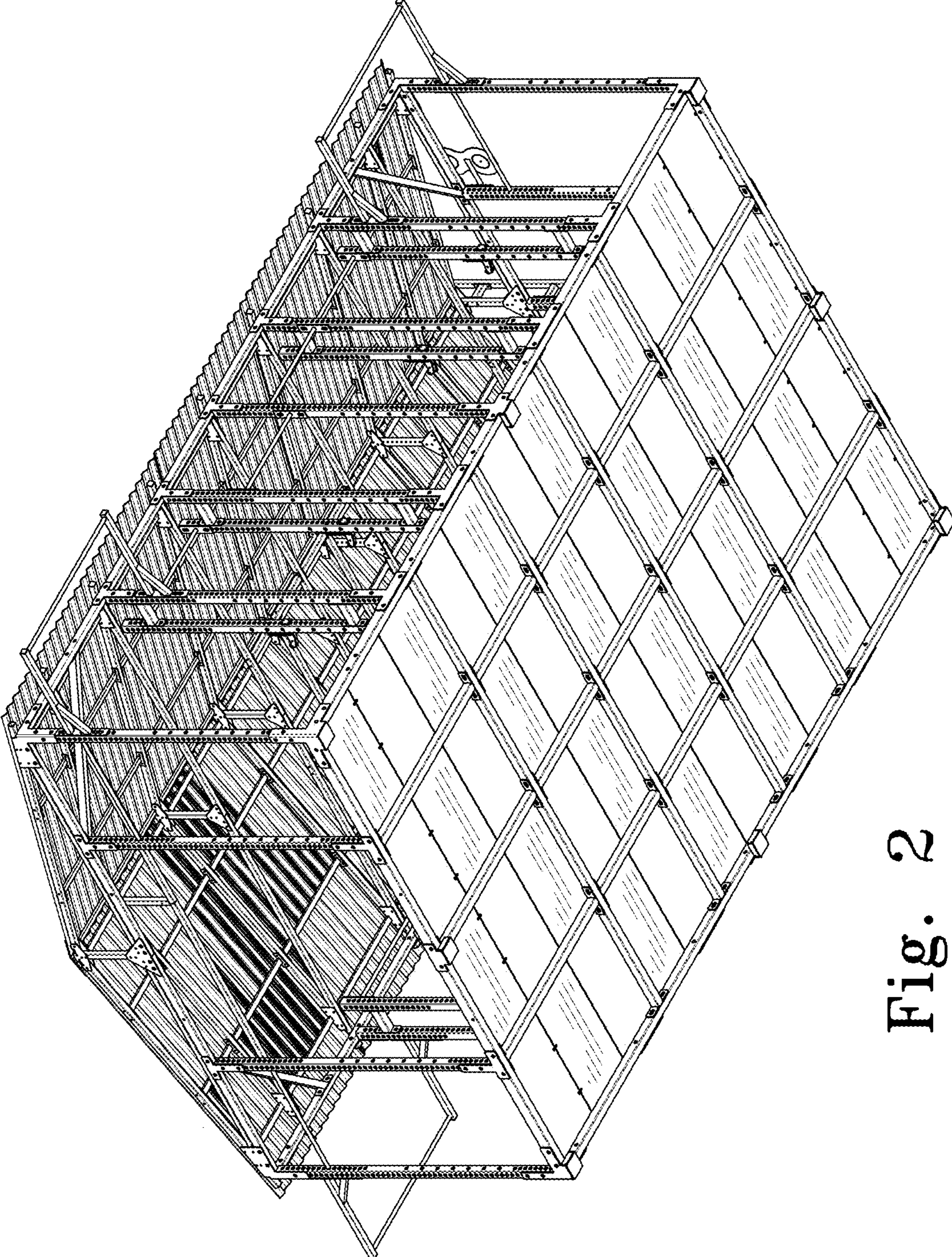


Fig. 2

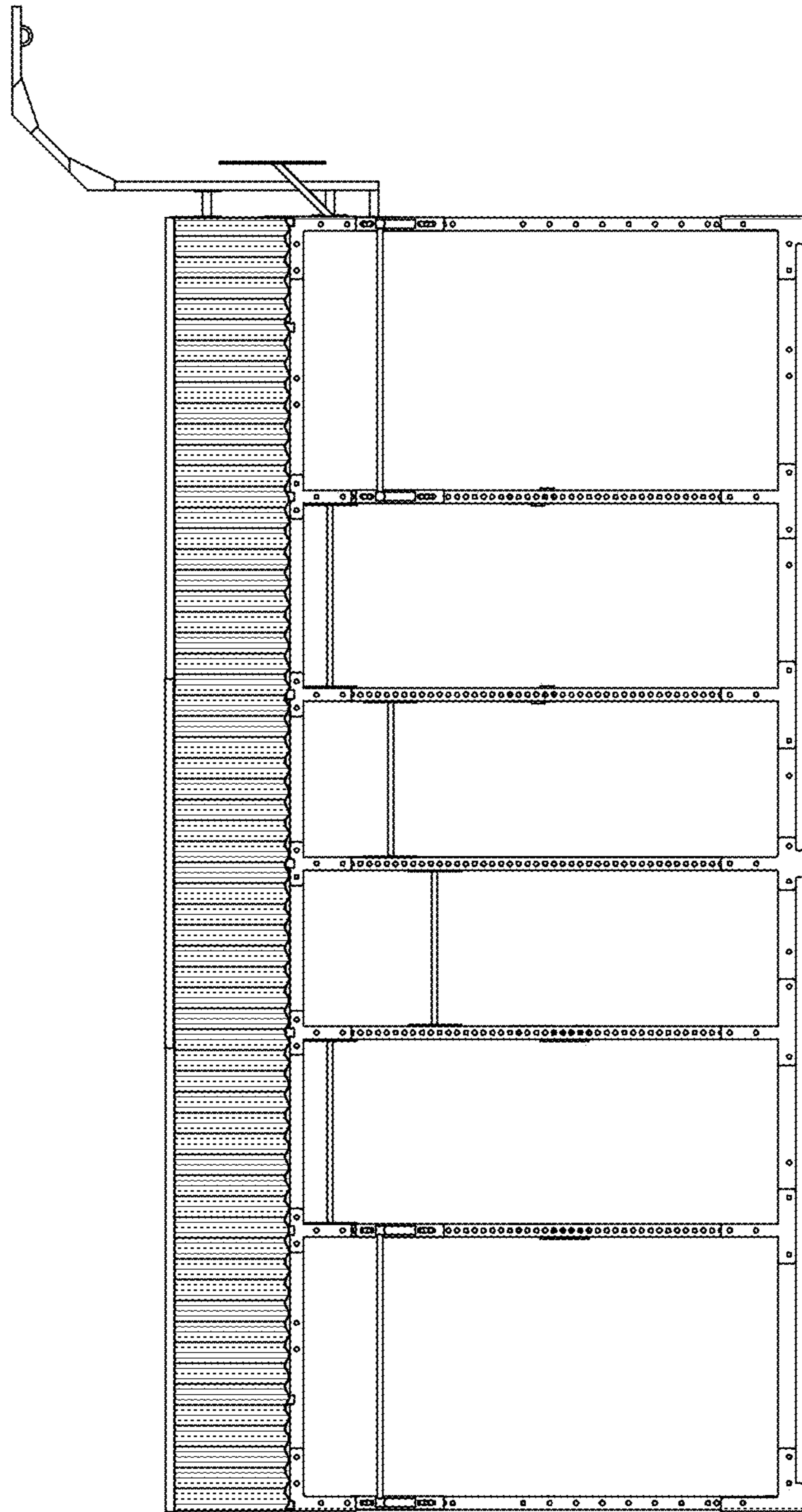


Fig. 3

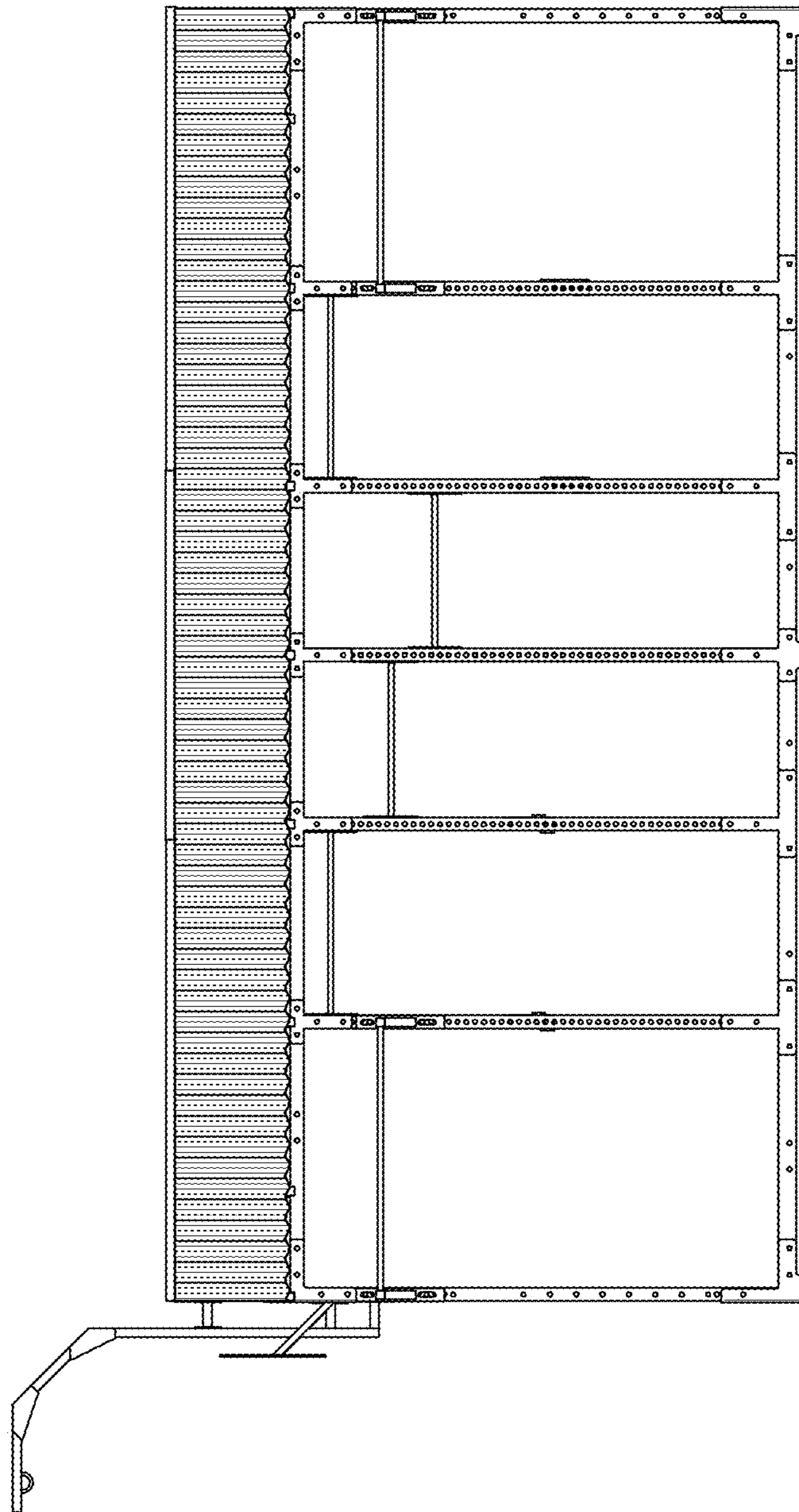


Fig. 4

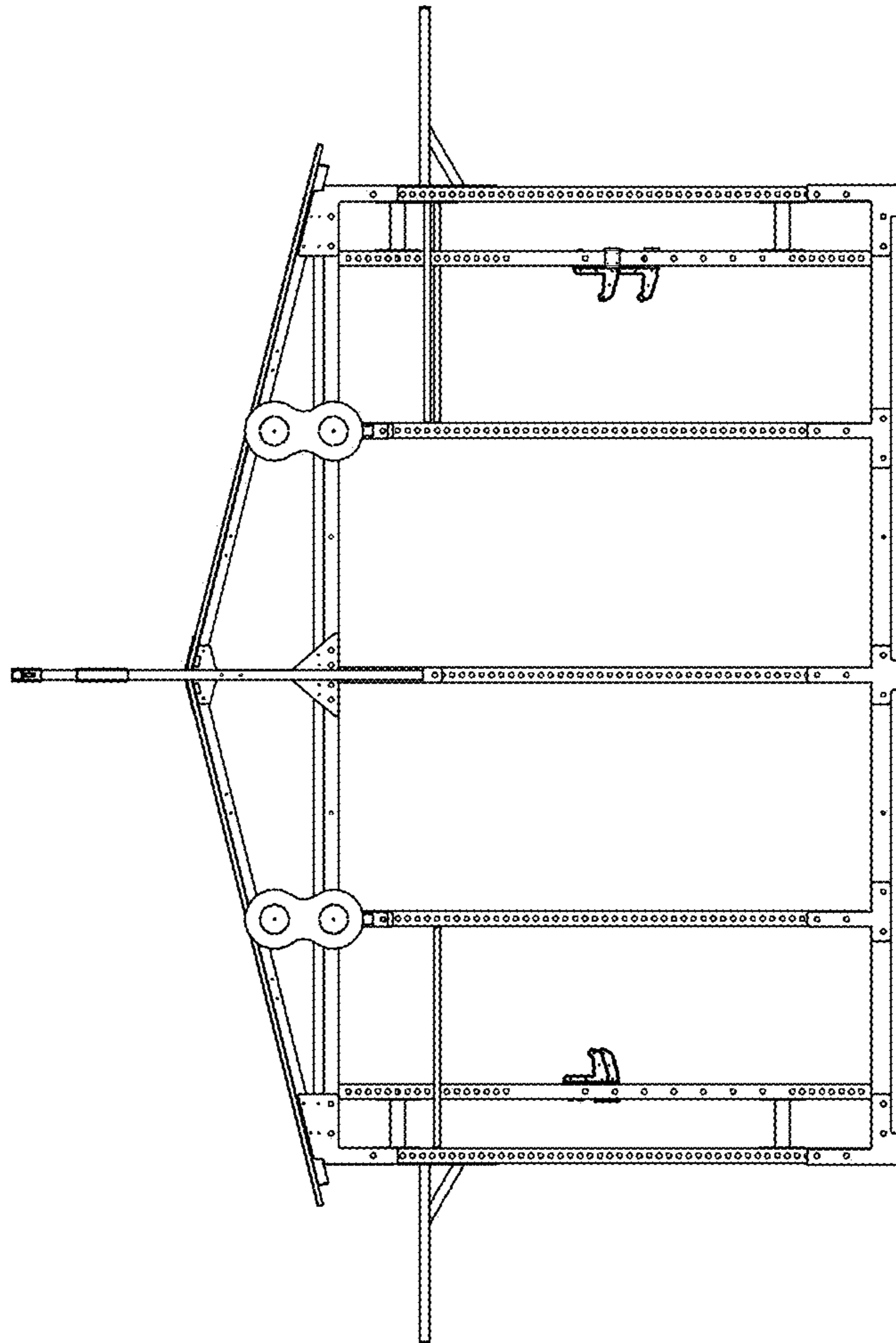


Fig. 5

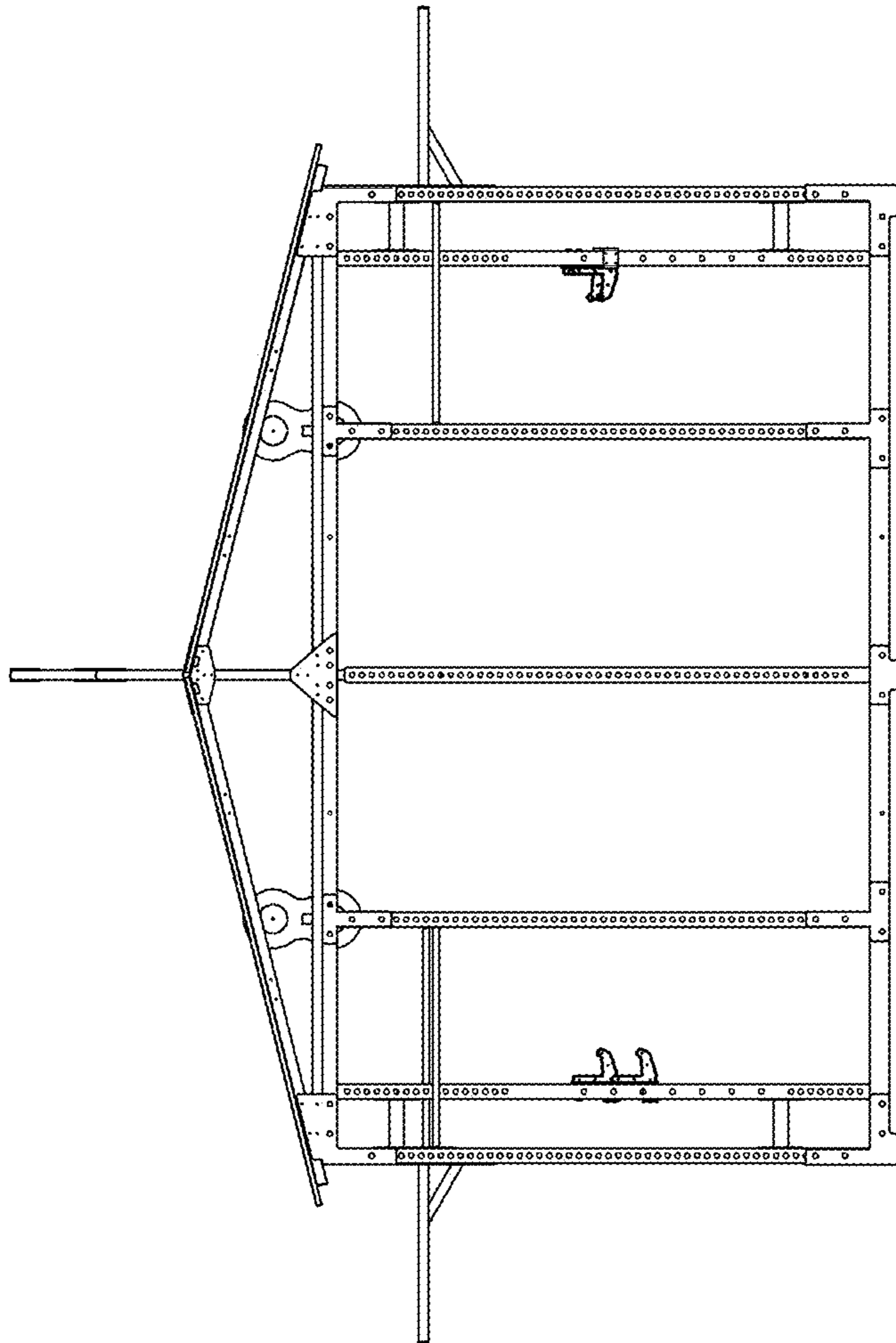


Fig. 6

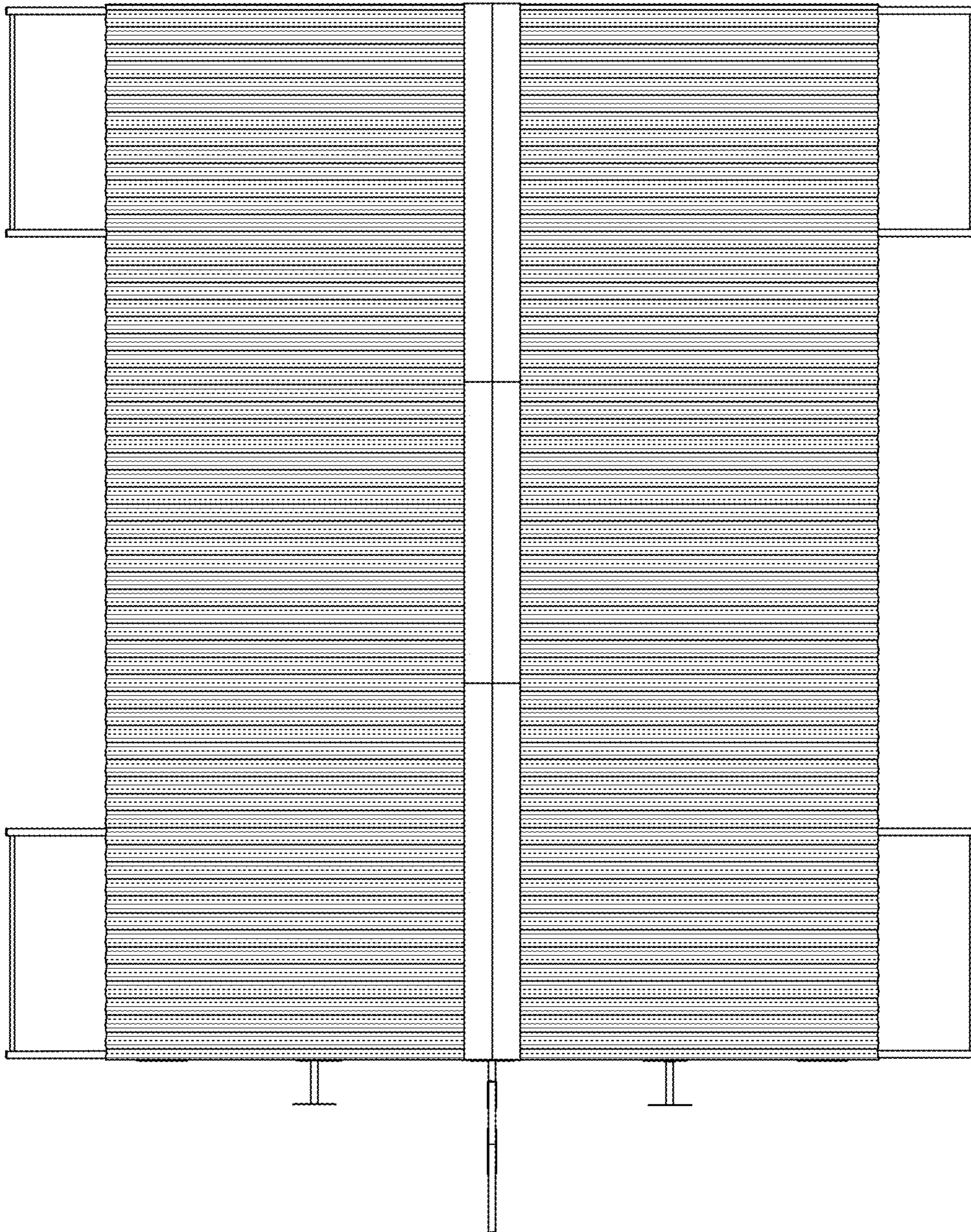


Fig. 7

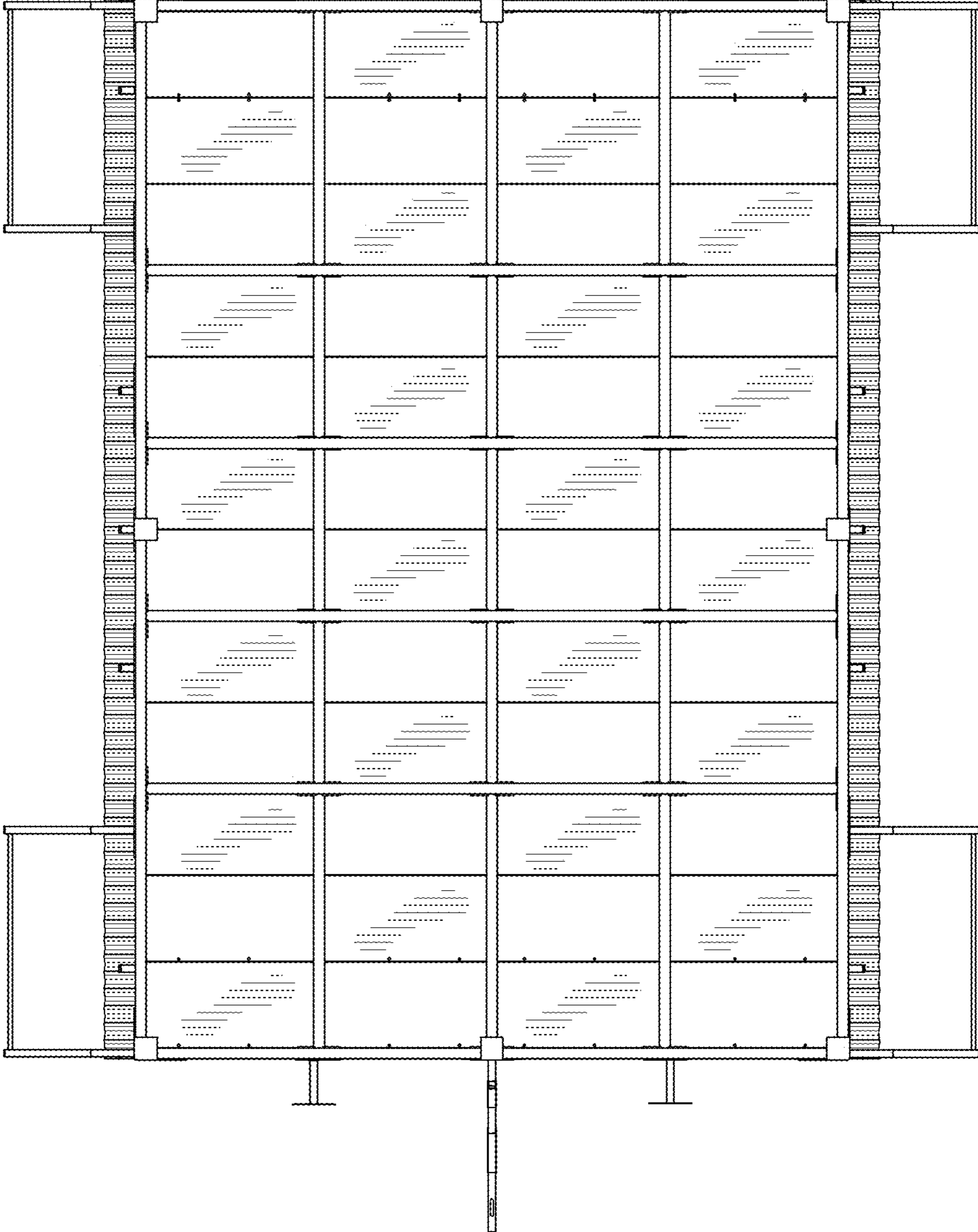


Fig. 8

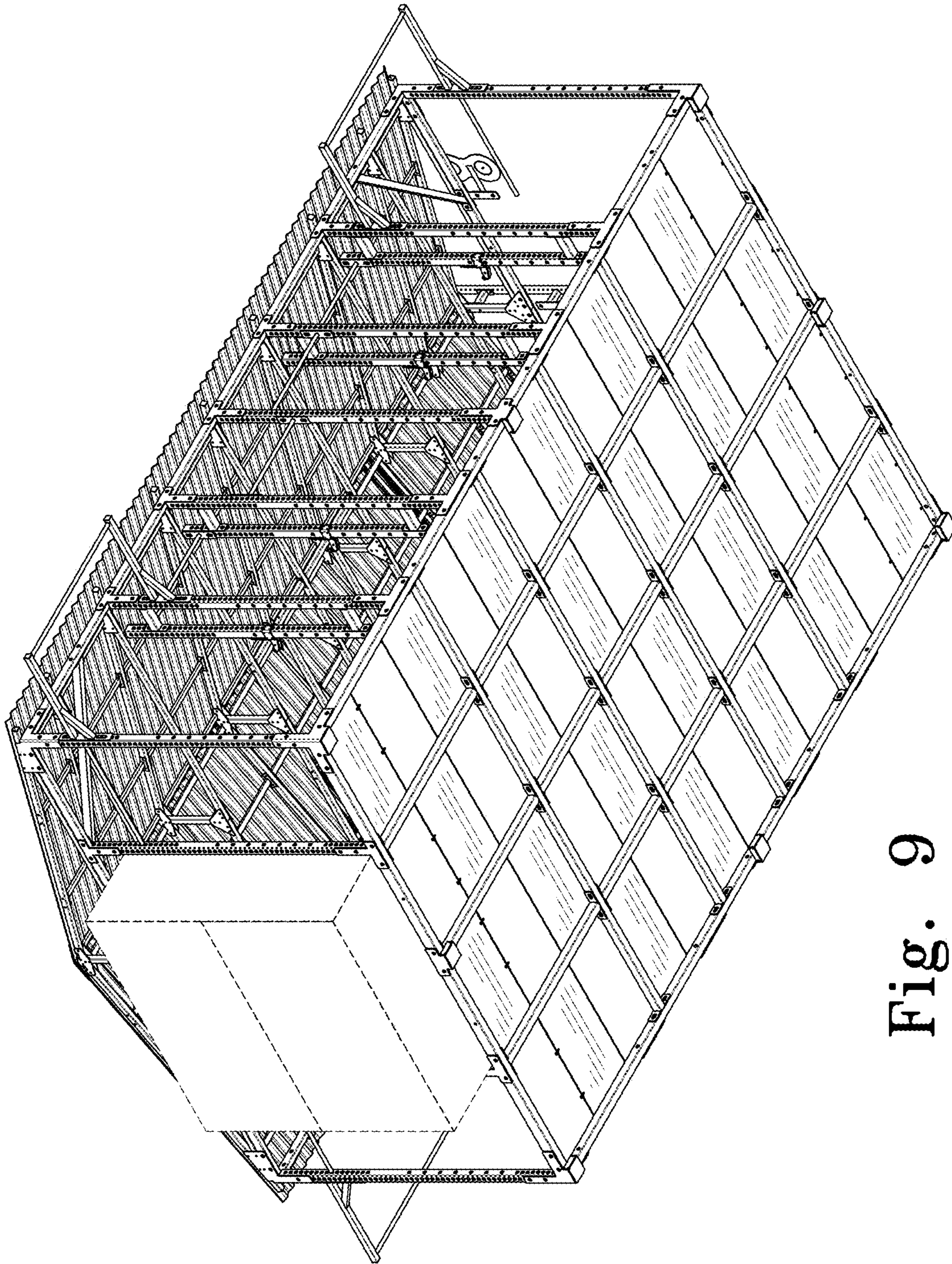


Fig. 9