



US00D959697S

(12) **United States Design Patent** (10) **Patent No.:** **US D959,697 S**
Berka (45) **Date of Patent:** **** Aug. 2, 2022**

(54) **SAMPLE COLLECTION SUMP TRAY FOR MULTIWELL PLATES**

(71) Applicant: **Roche Sequencing Solutions, Inc.**, Pleasanton, CA (US)

(72) Inventor: **Jan Berka**, Pleasanton, CA (US)

(73) Assignee: **Roche Sequencing Solutions, Inc.**, Pleasanton, CA (US)

(**) Term: **15 Years**

(21) Appl. No.: **29/816,262**

(22) Filed: **Nov. 19, 2021**

Related U.S. Application Data

(62) Division of application No. 29/733,438, filed on May 1, 2020.

(51) **LOC (13) Cl.** **24-02**

(52) **U.S. Cl.**
USPC **D24/227**

(58) **Field of Classification Search**
USPC D24/127, 128, 185, 216–232; D7/500, D7/550.1, 553.1, 553.2, 553.4, 553.5, D7/553.8, 554.3; D15/150, 151, 152; D3/203.3, 283, 304; D9/456; D23/200, D23/284, 287, 293.1
CPC A61B 50/30; A61B 50/33; A61B 5/34; A61B 50/36; A61B 2050/3011; A61B 10/0038; A61B 5/150343; G01N 33/521
See application file for complete search history.

(56) **References Cited**

U.S. PATENT DOCUMENTS

D227,413 S * 6/1973 Sherin D24/127
D352,516 S * 11/1994 Newman D24/218
D363,221 S * 10/1995 Puryear D7/700

D409,747 S * 5/1999 Aiken D24/122
D432,308 S * 10/2000 Lockhart D3/201
D596,311 S * 7/2009 Antons D24/227
D624,163 S * 9/2010 Kakihana D23/293.1
D633,388 S * 3/2011 Andre D9/456
D638,137 S * 5/2011 Gross D24/227
D700,303 S * 2/2014 Eveleigh D23/284
D744,641 S * 12/2015 Aiken D24/122
D762,255 S * 7/2016 Levy D15/150
D773,686 S * 12/2016 Moore D24/227
D778,970 S * 2/2017 Levy D15/150
D834,158 S * 11/2018 Quinn D23/293.1

(Continued)

FOREIGN PATENT DOCUMENTS

CN 201430178467 * 4/2015
CN 202030657325.3 * 6/2021

Primary Examiner — Omeed Agilee
(74) *Attorney, Agent, or Firm* — Mintz, Levin, Cohn, Ferris, Glovsky and Popeo, P.C.

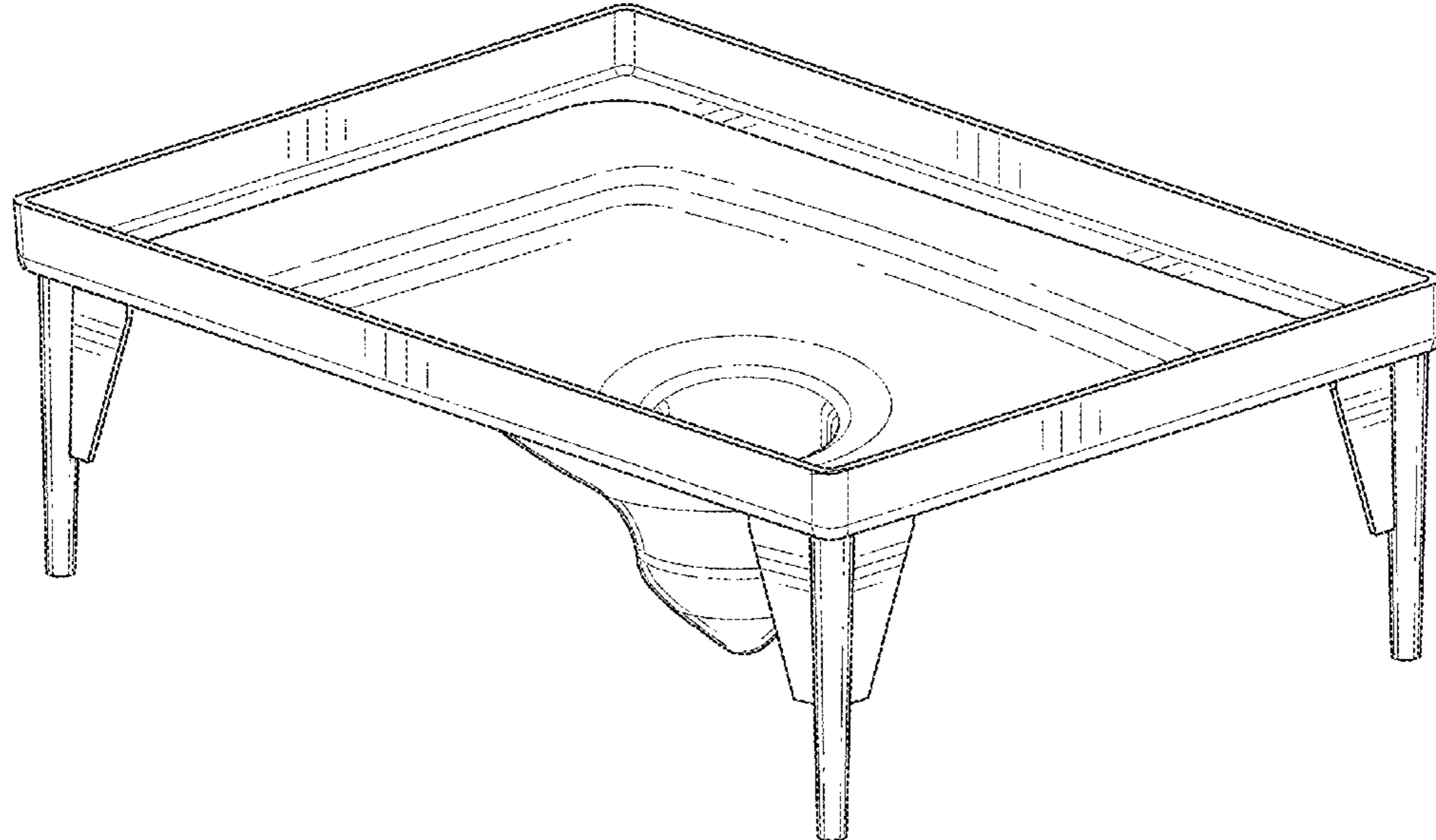
(57) **CLAIM**

The ornamental design for a sample collection sump tray for multiwell plates, as shown and described.

DESCRIPTION

FIG. 1 is a front top perspective view of a sample collection sump tray for multiwell plates showing my new design; FIG. 2 is a front bottom perspective view thereof; FIG. 3 is a left side view thereof; FIG. 4 is a right side view thereof; FIG. 5 is a front view thereof; FIG. 6 is a rear view thereof; FIG. 7 is a top view thereof; FIG. 8 is a bottom view thereof; FIG. 9 is a cross-section view taken along line 9-9 of FIG. 8; and, FIG. 10 is a cross-section view taken along line 10-10 of FIG. 8.

1 Claim, 10 Drawing Sheets



(56)

References Cited

U.S. PATENT DOCUMENTS

D869,683 S	*	12/2019	Hendrix	D24/231
D875,272 S	*	2/2020	Muller	D24/224
D891,633 S	*	7/2020	Hole	D24/216
D920,742 S	*	6/2021	Paine	D7/553.2
D925,291 S	*	7/2021	Kellow, Jr.	D7/553.2

* cited by examiner

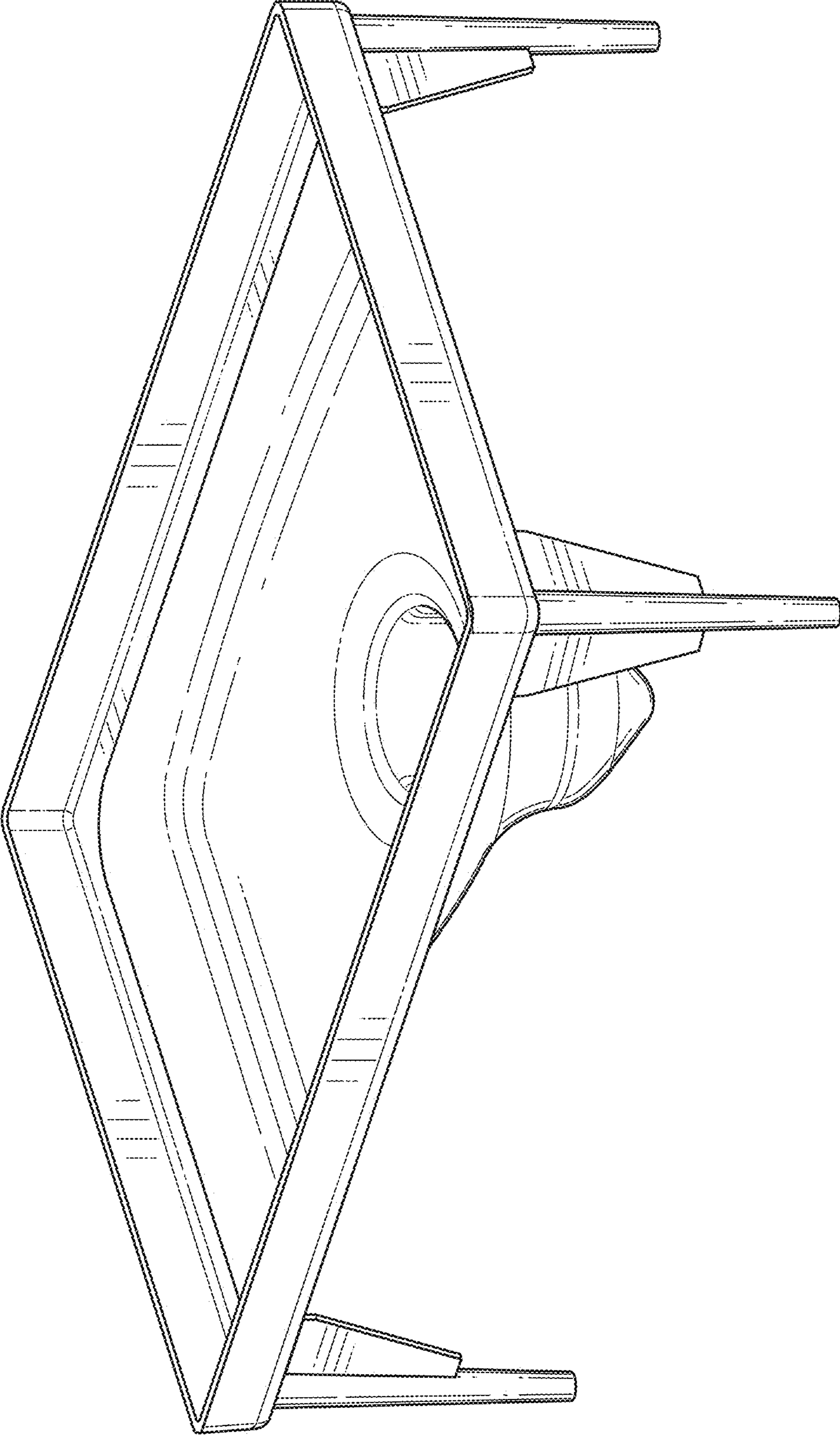


FIG. 1

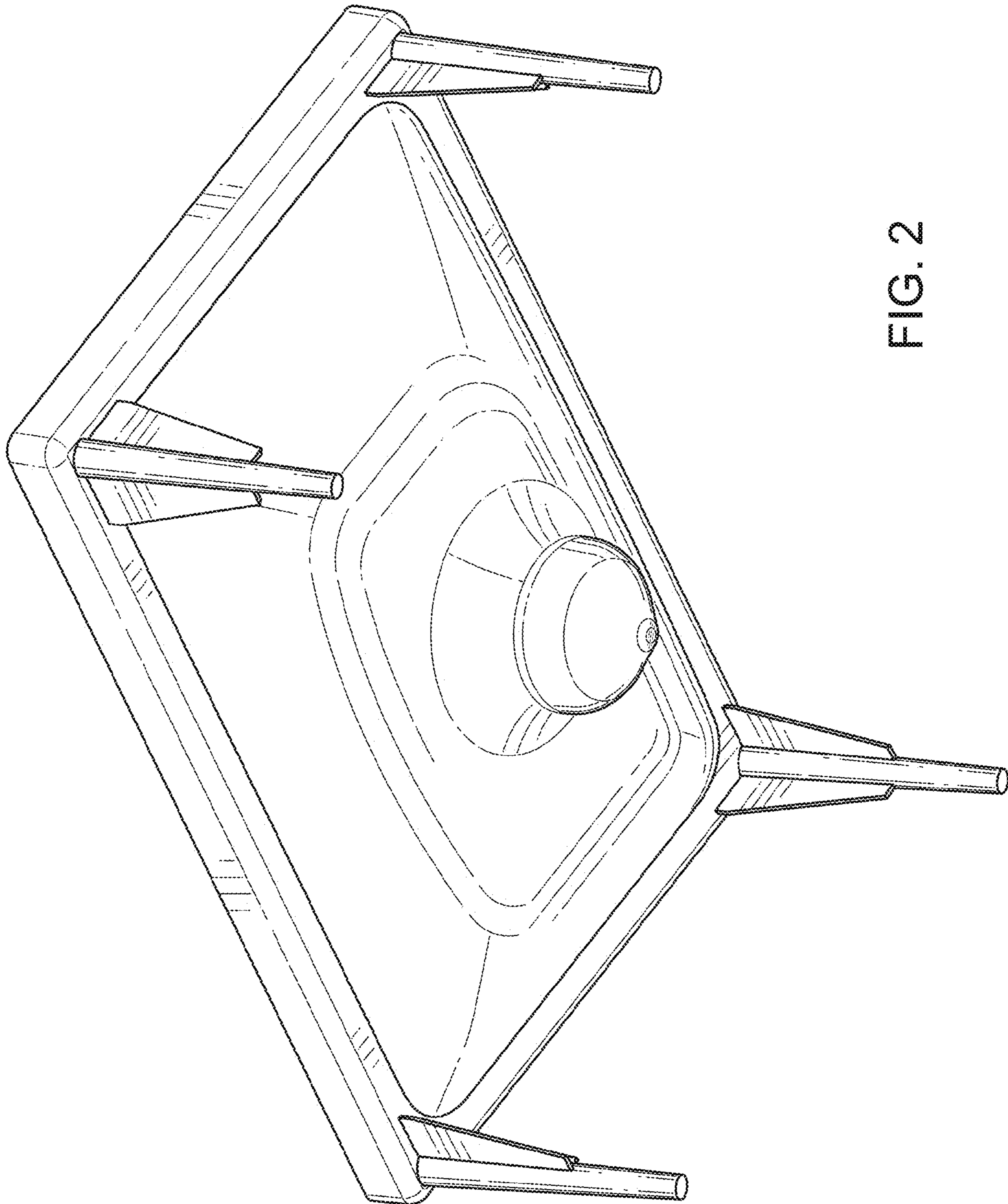


FIG. 2

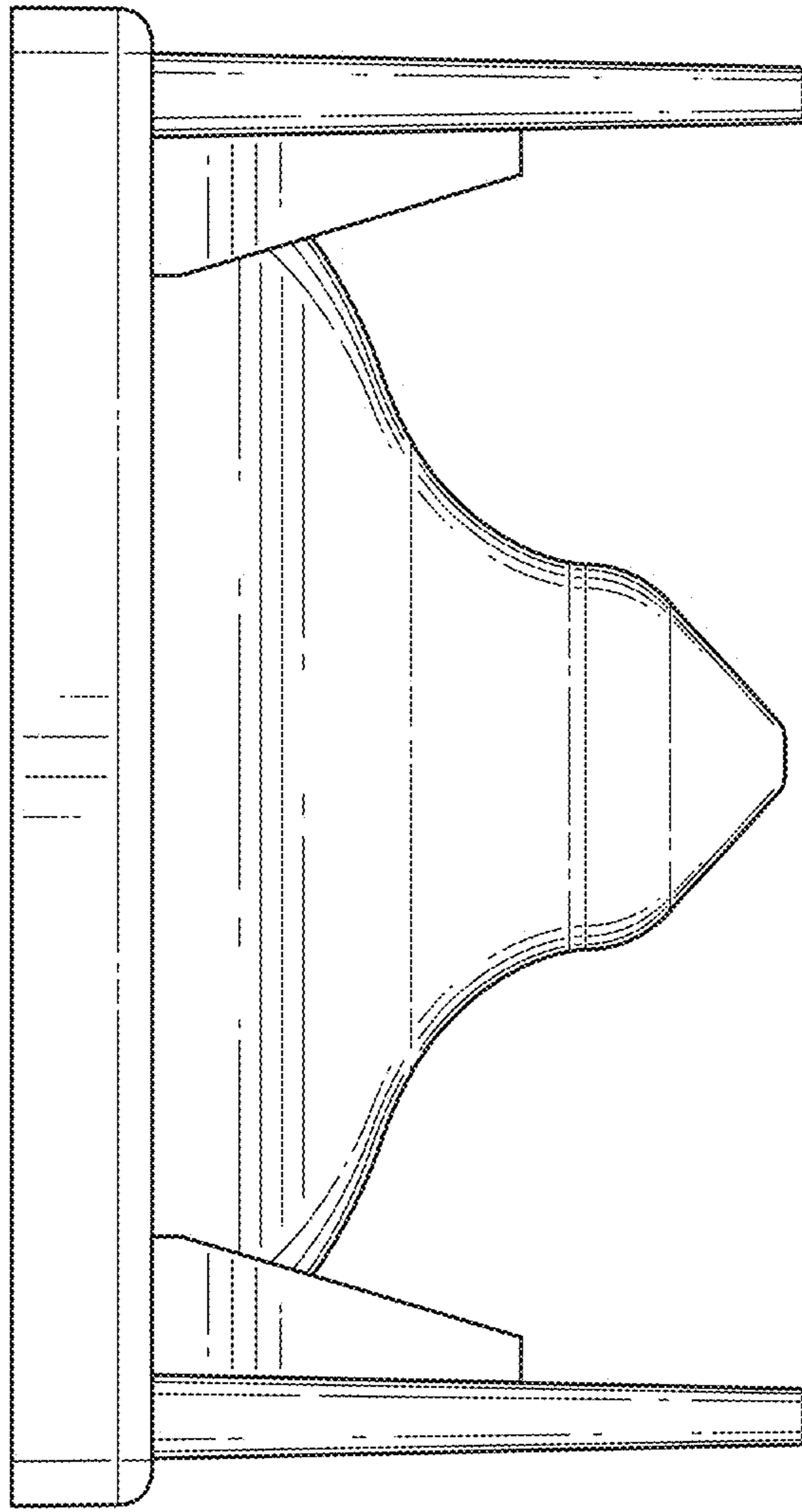


FIG. 3

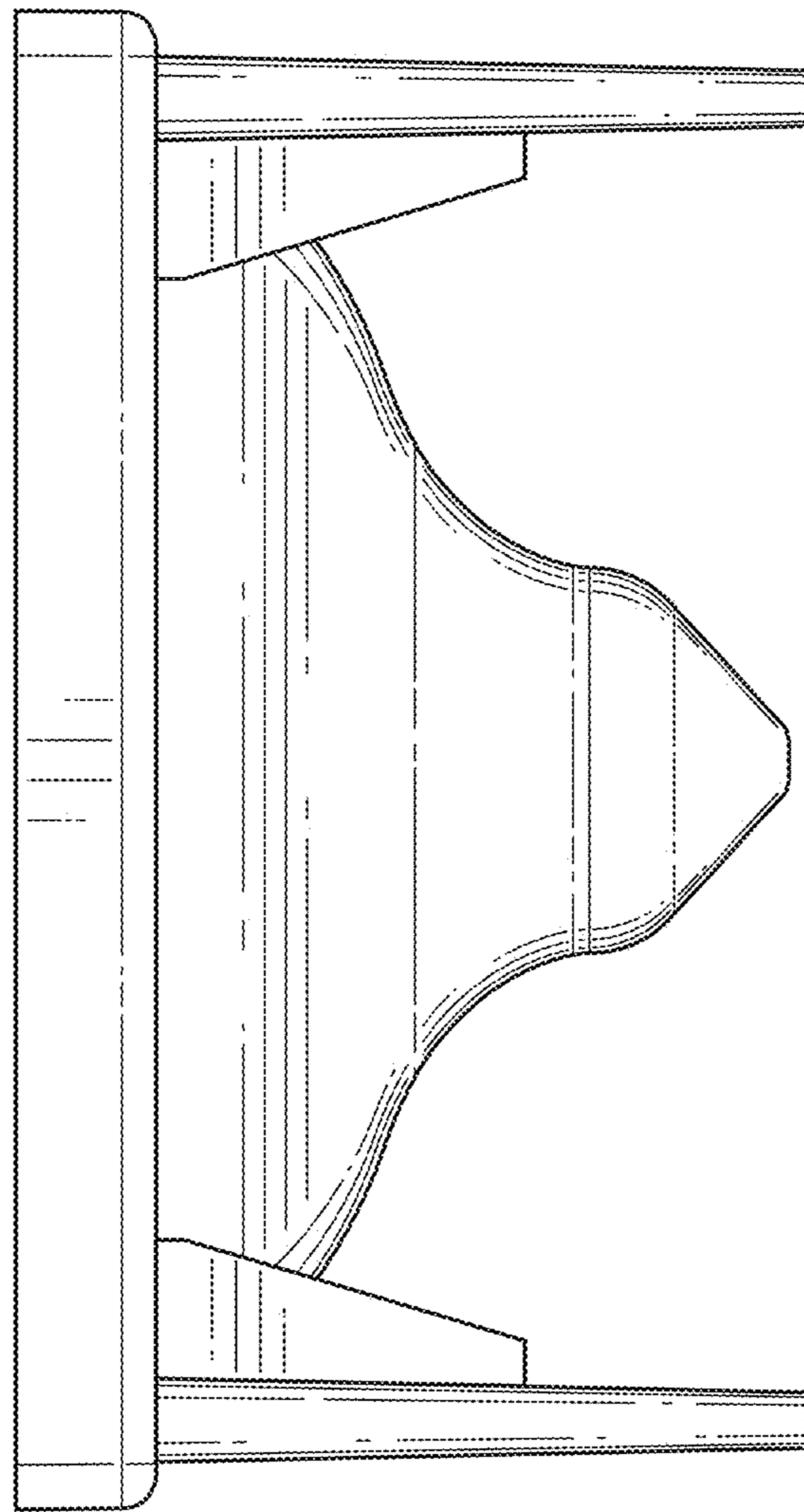


FIG. 4

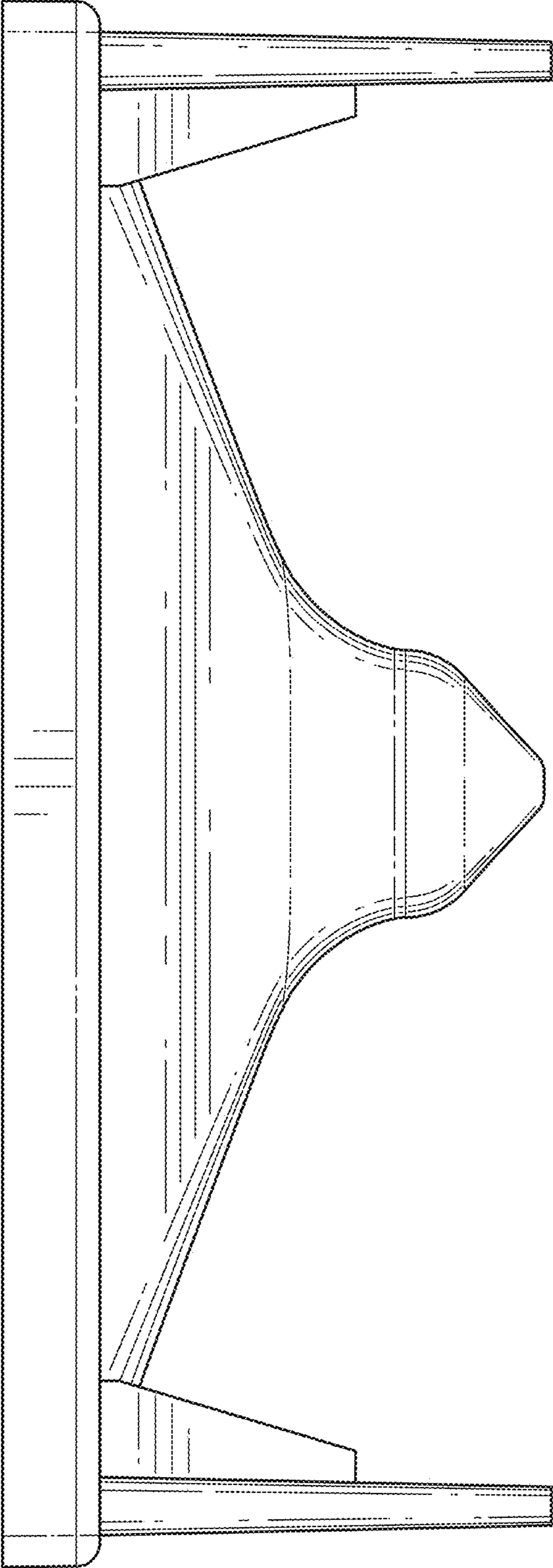


FIG. 5

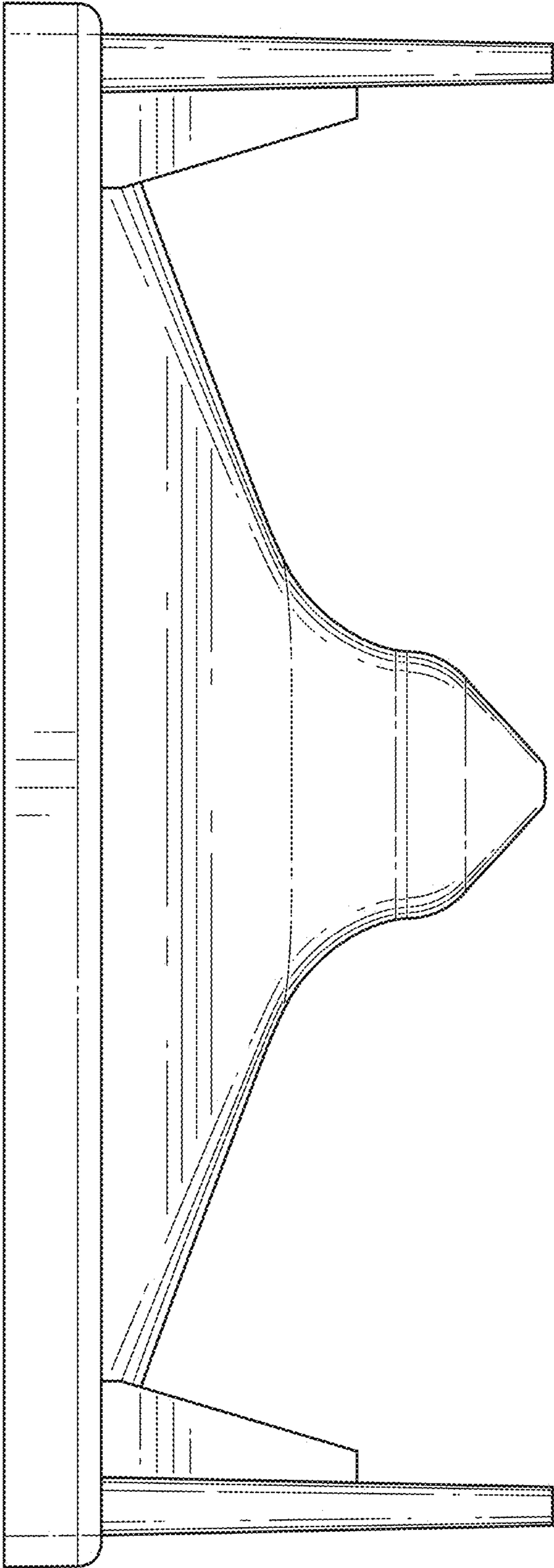


FIG. 6

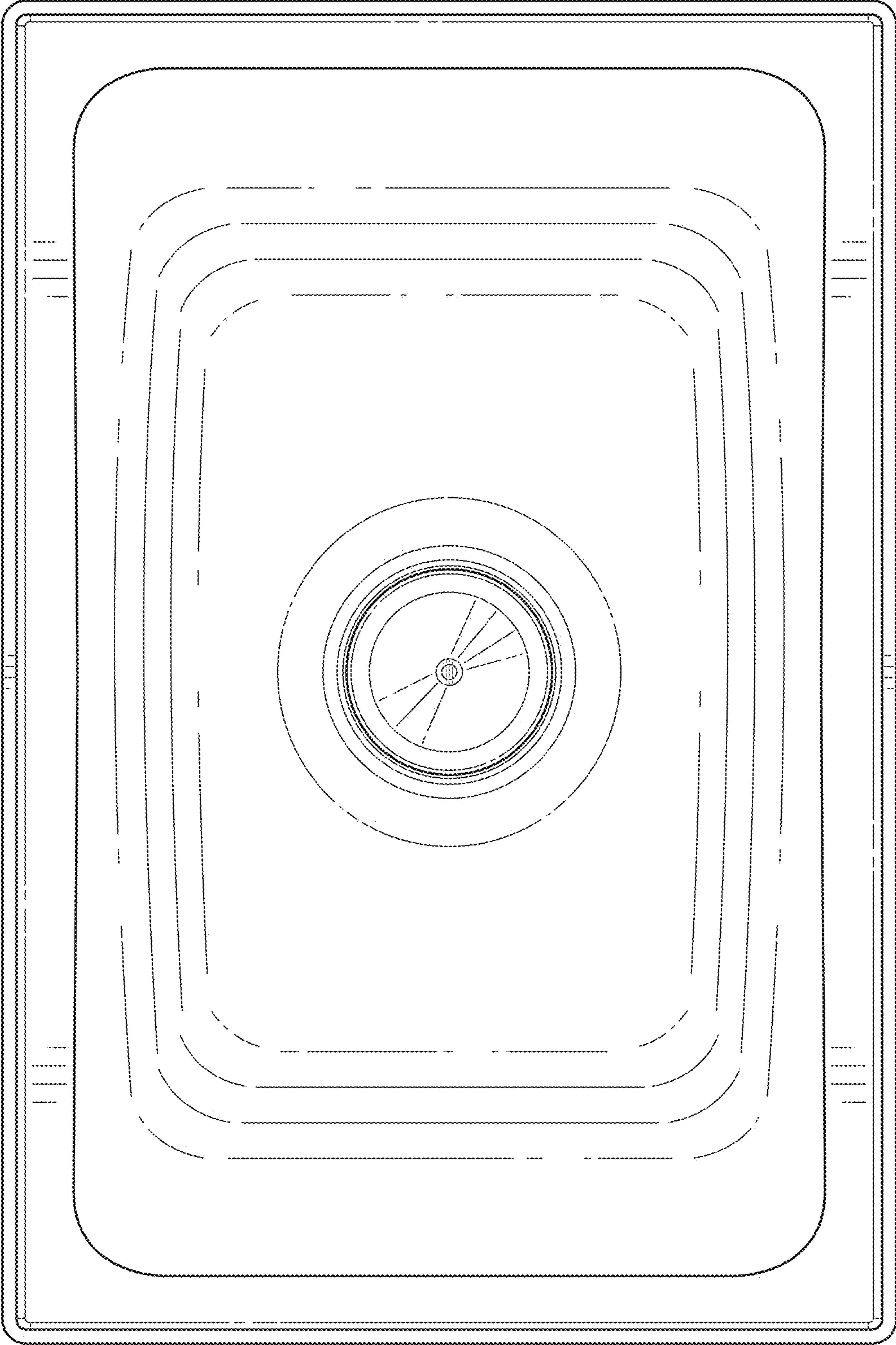
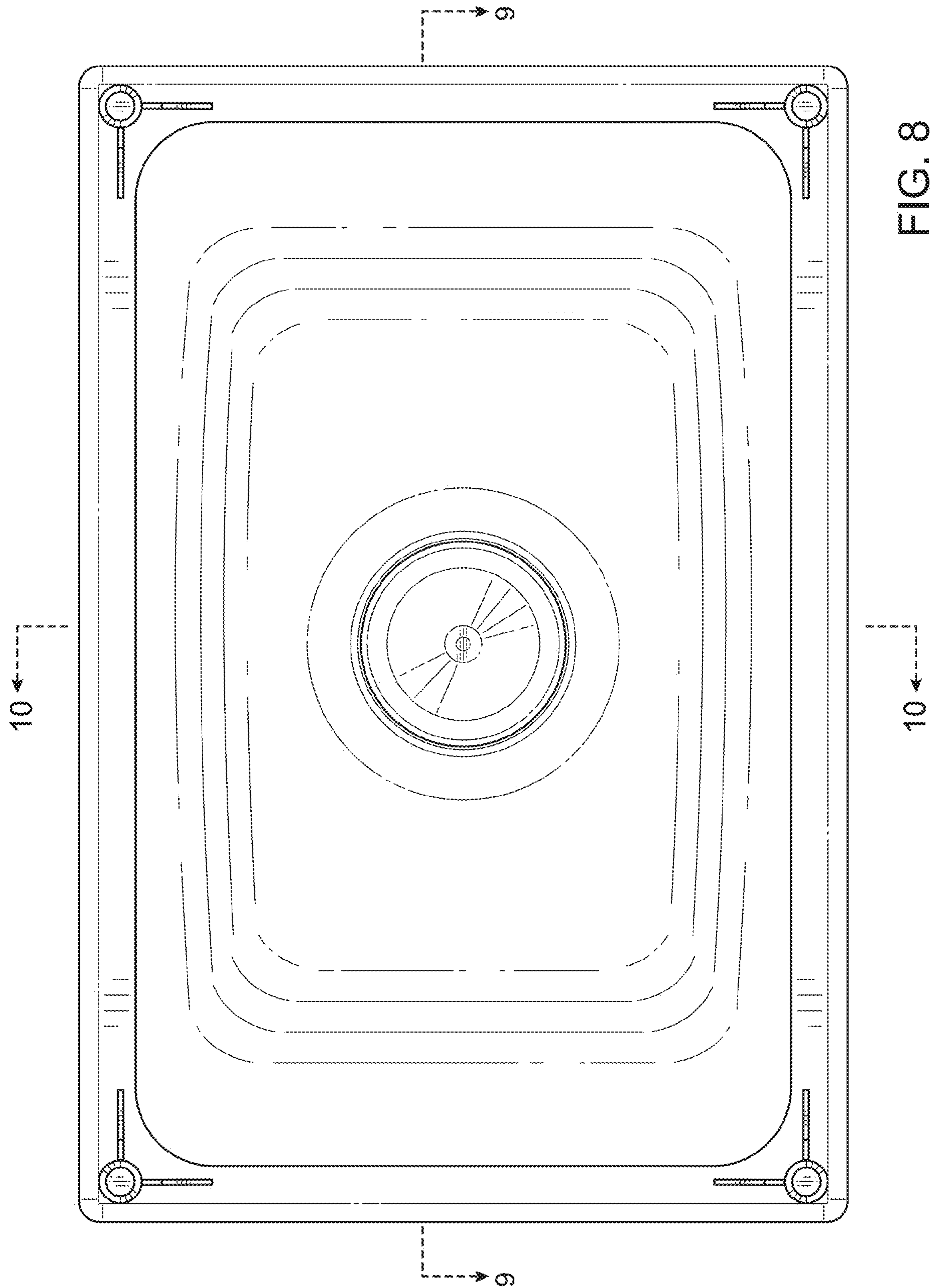


FIG. 7



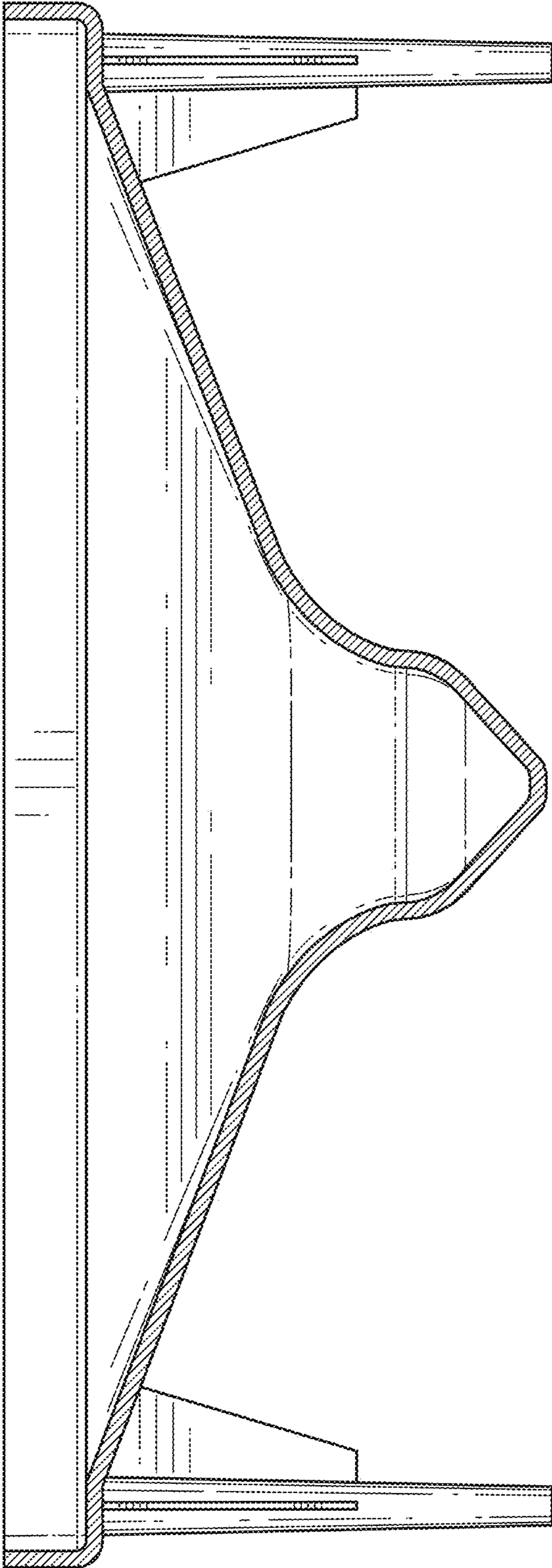


FIG. 9

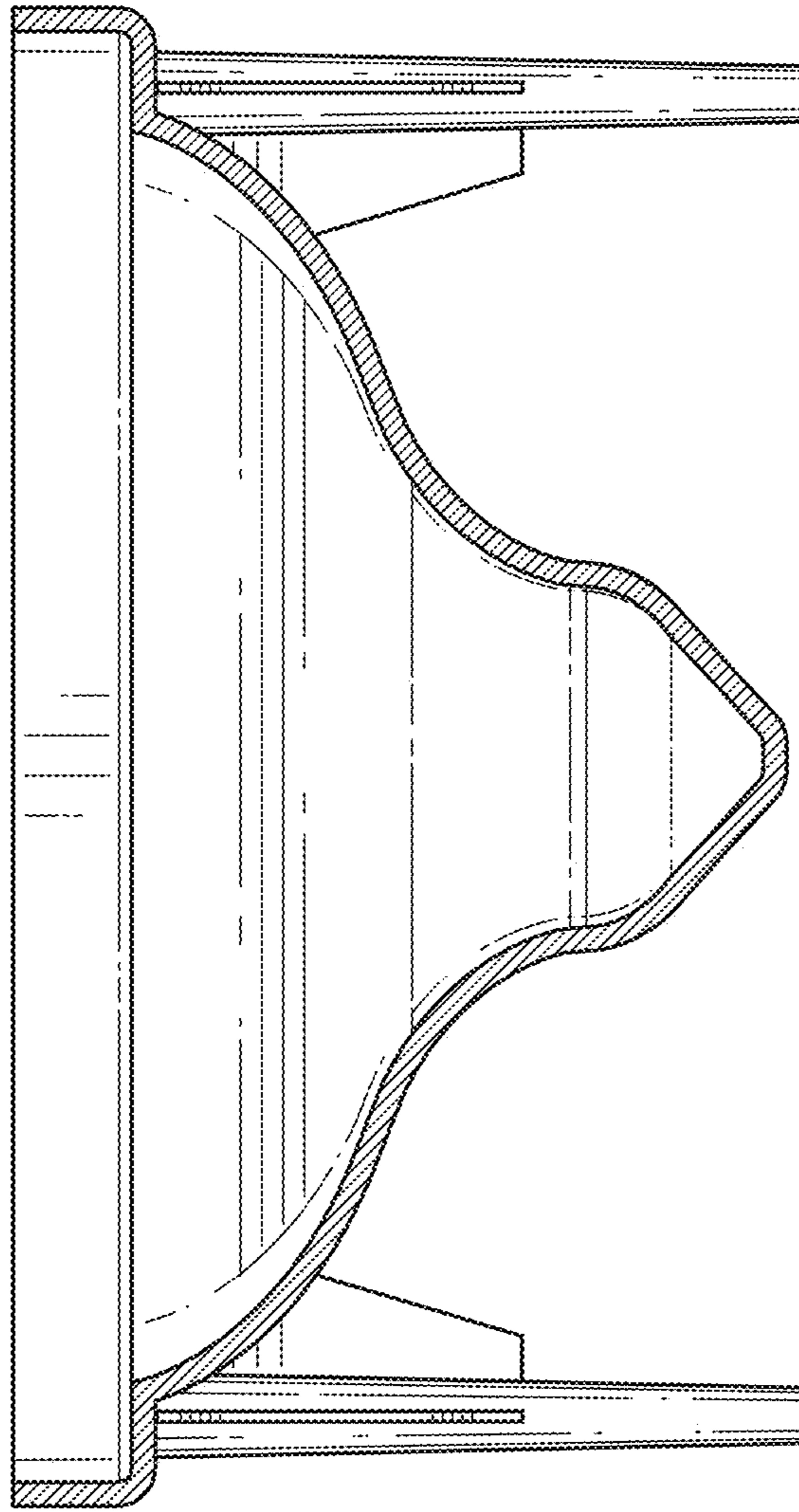


FIG. 10