



(12) **United States Design Patent** (10) **Patent No.:** **US D959,688 S**
Chen (45) **Date of Patent:** **** Aug. 2, 2022**

(54) **ACUPRESSURE DEVICE**

(71) Applicant: **Xuting Chen**, Ningbo (CN)

(72) Inventor: **Xuting Chen**, Ningbo (CN)

(**) Term: **15 Years**

(21) Appl. No.: **29/735,433**

(22) Filed: **May 21, 2020**

(51) **LOC (13) Cl.** **28-03**

(52) **U.S. Cl.**
 USPC **D24/215**

(58) **Field of Classification Search**
 USPC D24/215, 200, 211, 212, 213, 214, 133,
 D24/107, 231, 184; D6/587; D4/127,
 D4/130, 122, 121, 109, 111, 113, 199,
 D4/102; D11/172, 178; D2/946, 962
 CPC A44C 25/001; A44C 1/00; A61H 7/00;
 A61H 7/003; A61H 7/007; A61H 39/00;
 A61H 39/04; A61H 39/086; A61H 15/00;
 A61H 37/00; A61H 2201/1695

See application file for complete search history.

(56) **References Cited**

U.S. PATENT DOCUMENTS

D450,915	S	*	11/2001	McMullin	D2/962
D523,962	S	*	6/2006	Huang	D24/214
D569,596	S	*	5/2008	Terashima	D2/962
D734,062	S	*	7/2015	Alesi	D2/962
D796,228	S	*	9/2017	Alesi	D6/587
D865,991	S	*	11/2019	Grigorenko	D24/215
D869,674	S	*	12/2019	Cheng	D24/214
D879,314	S	*	3/2020	Jermoshins	D24/215
D882,100	S	*	4/2020	Van	D24/200
D940,342	S	*	1/2022	Vivers	D24/211
D949,420	S	*	4/2022	Chen	D24/215
2020/0129369	A1	*	4/2020	Pearce	A61H 7/003

OTHER PUBLICATIONS

Pranamat—ECO Therapeutic Manual Massage Mat. Date: Jul. 5, 2010. [online]. [Site visited May 11, 2022]. Available from Internet URL: <https://www.amazon.co.uk/dp/B003NYPLZA/?th=1> (Year: 2010).*

Benooa—Massage Cushion. Date: Mar. 26, 2019. [online]. [Site visited May 11, 2022]. Available from Internet URL: <https://www.amazon.co.uk/dp/B07LDZZRSX/?th=1> (Year: 2019).*

Osail—Acupressure Mat and Pillow Set. Date: Sep. 1, 2020. [online]. [Site visited May 11, 2022]. Available from Internet URL: <https://www.amazon.co.uk/dp/B08NSWVR5C/?th=1> (Year: 2020).*

Acupressure massagers. (Design—© Questel) orbit.com. [Online PDF compilation of references] 23 pgs. Print Dates Range Dec. 23, 2020-Aug. 19, 2019 [Retrieved May 11, 2022] <https://www.orbit.com/export/UCZAH96B/pdf4/3b923e49-b365-4832-8505-4d95ff72067c-202507.pdf> (Year: 2022).*

* cited by examiner

Primary Examiner — Susan Bennett Hattan

Assistant Examiner — Landon Thomas Cassell

(74) *Attorney, Agent, or Firm* — ScienBiziP, P.C.

(57) **CLAIM**

The ornamental design for an acupressure device, as shown and described.

DESCRIPTION

FIG. 1 is a perspective view of an acupressure device showing my new design;

FIG. 2 is another perspective view thereof;

FIG. 3 is a front elevational view thereof;

FIG. 4 is a rear elevational view thereof;

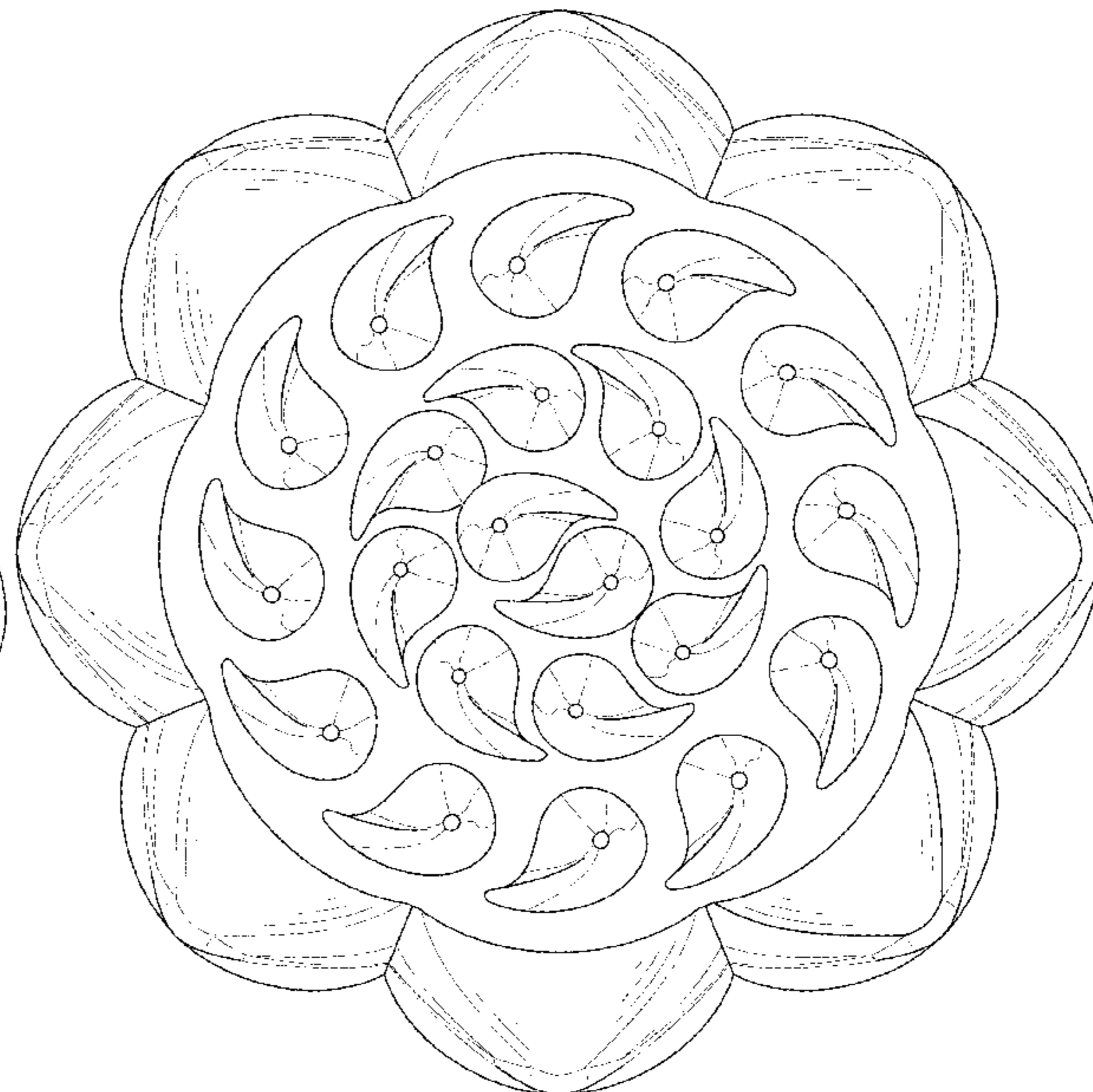
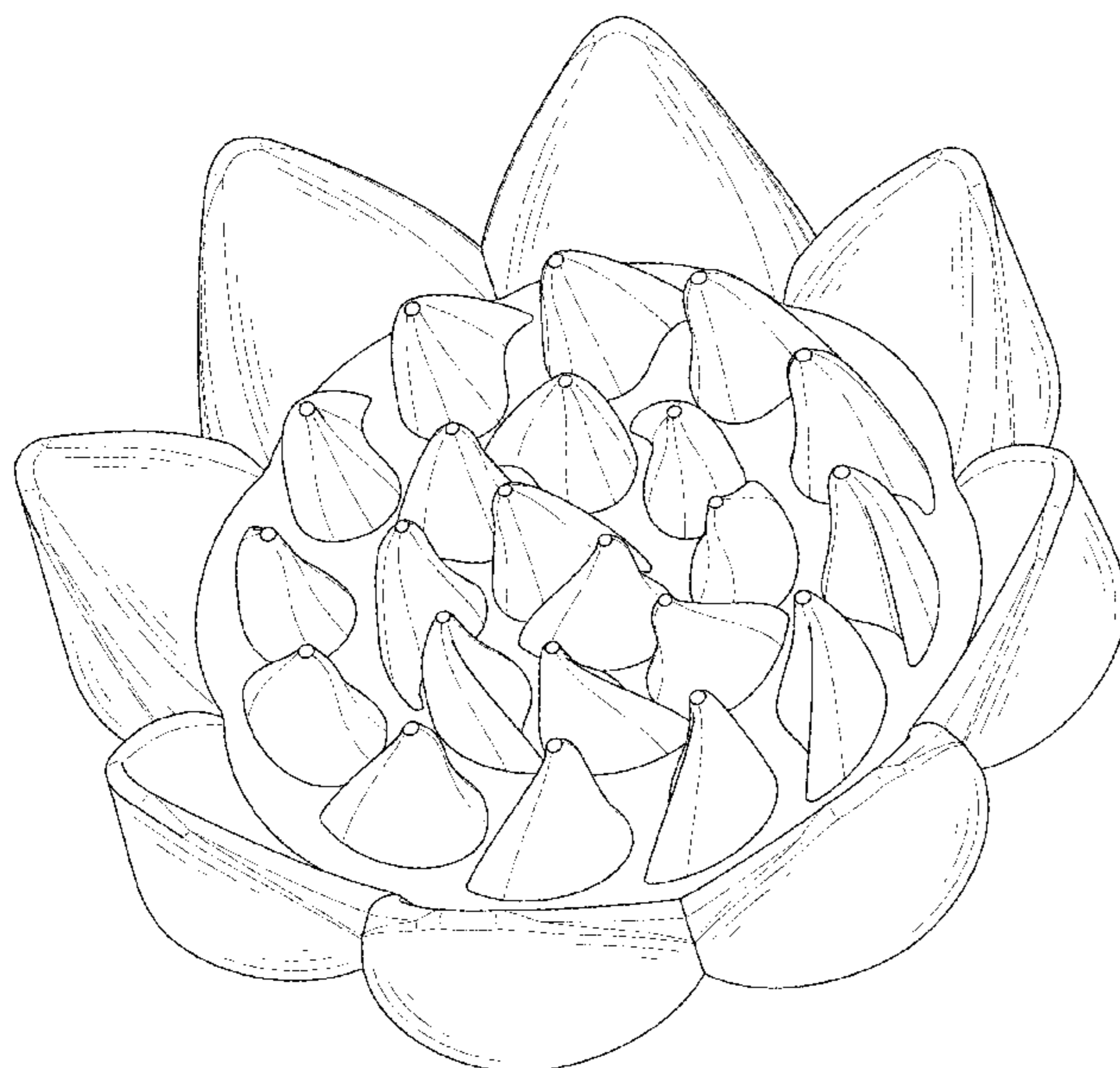
FIG. 5 is a left side elevational view thereof;

FIG. 6 is a right side elevational view thereof;

FIG. 7 is a top plan view thereof; and,

FIG. 8 is a bottom plan view thereof.

1 Claim, 8 Drawing Sheets



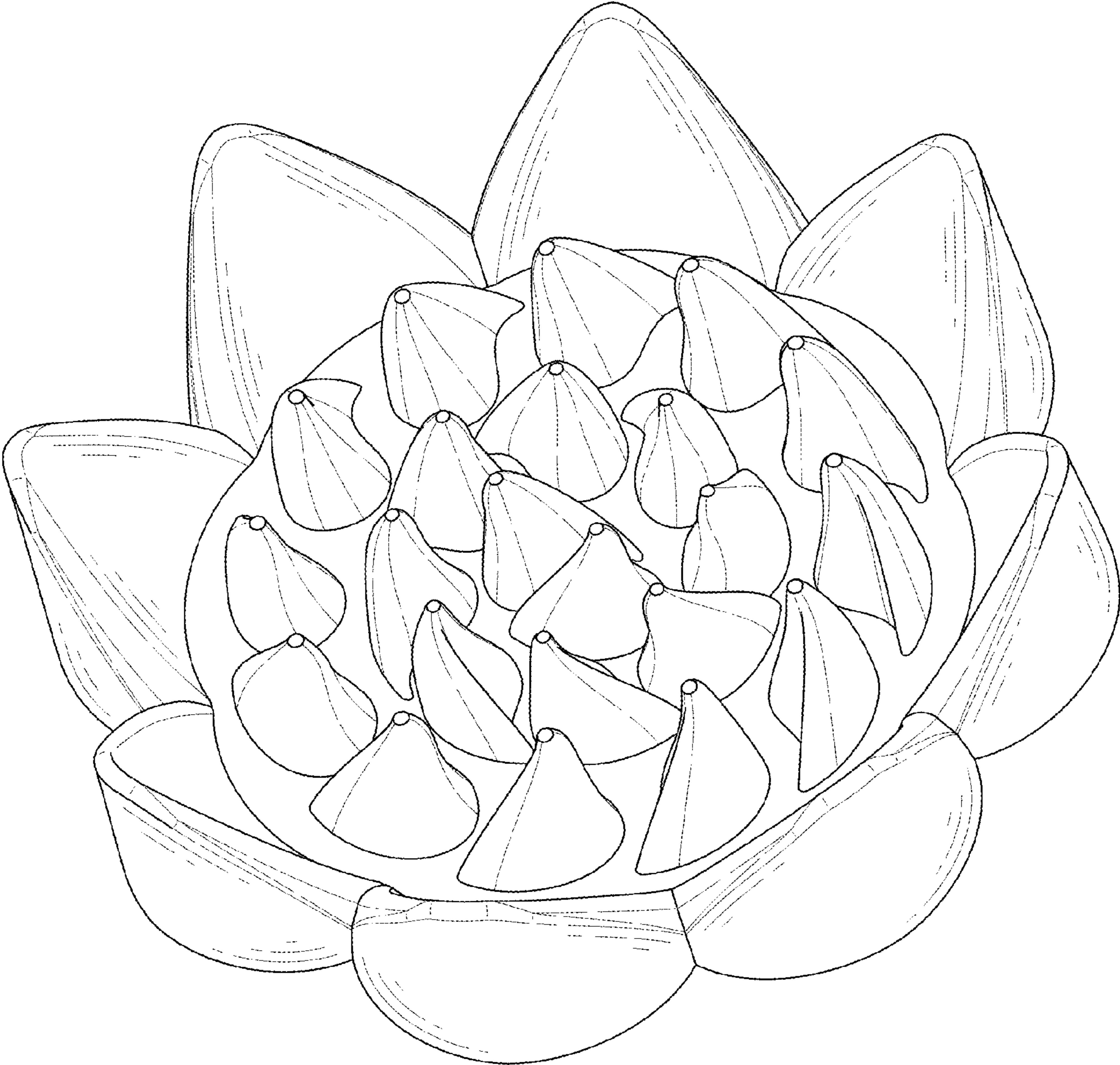


FIG. 1

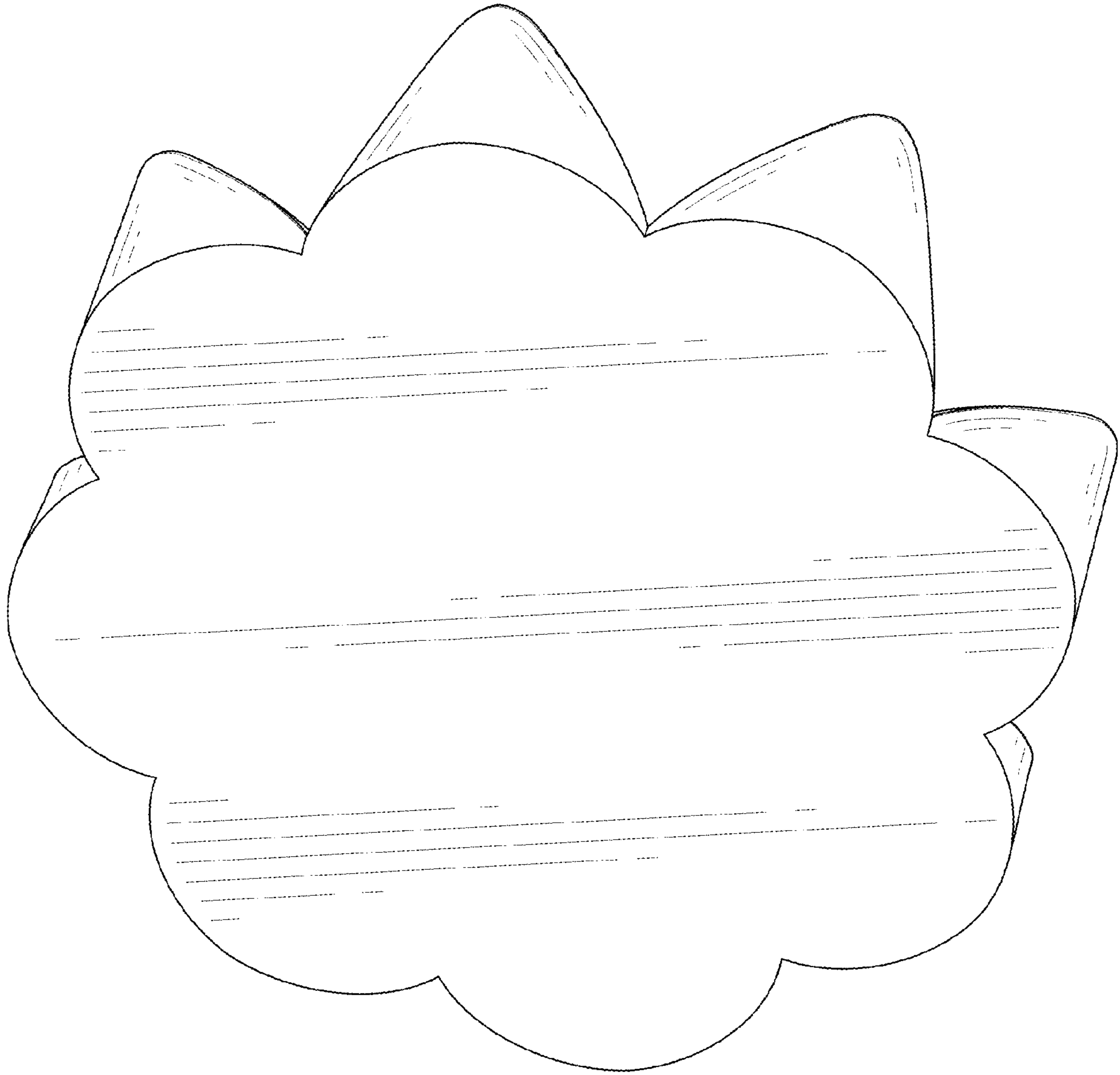


FIG. 2

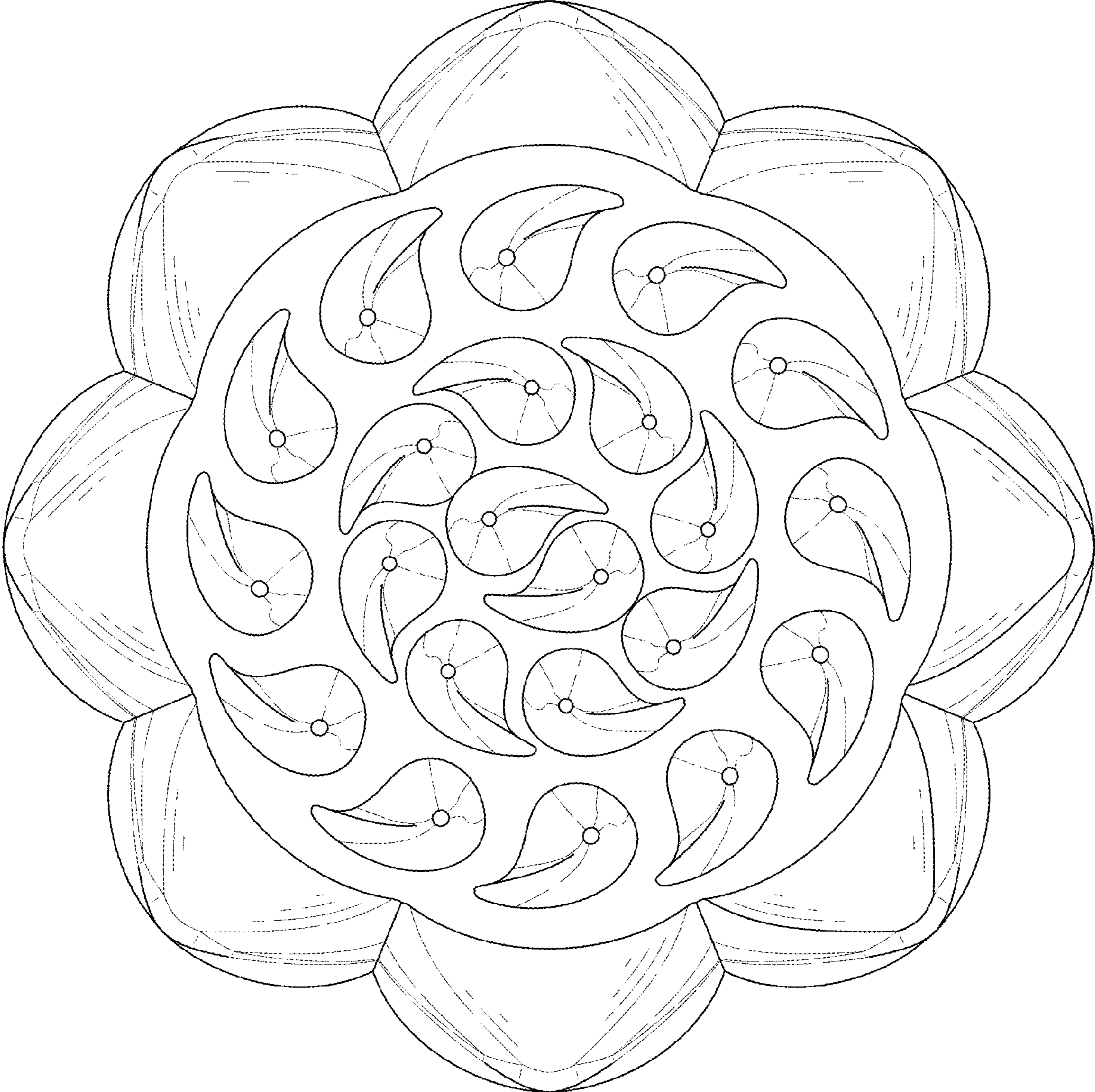


FIG. 3

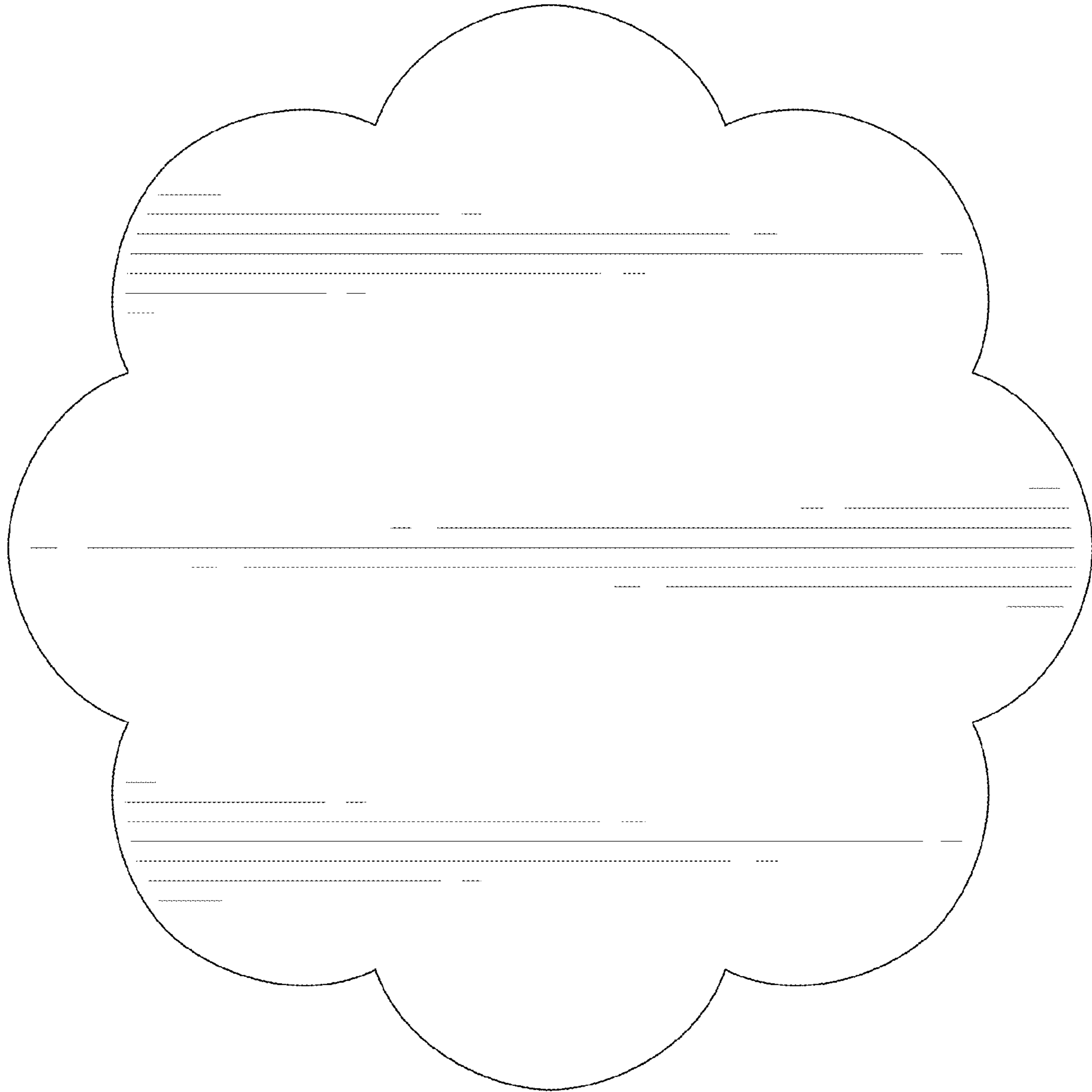


FIG. 4

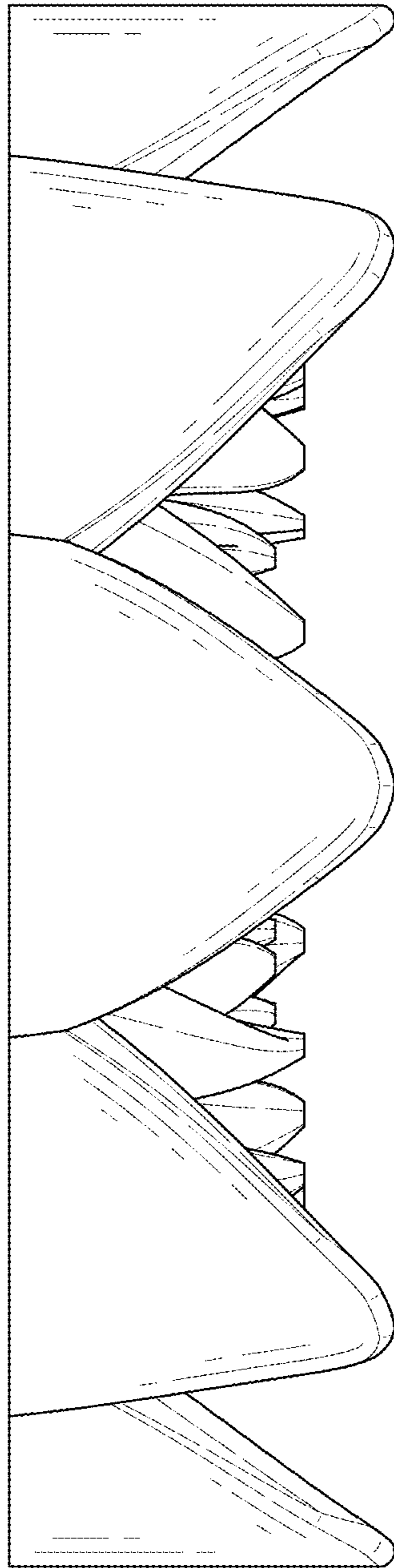


FIG. 5

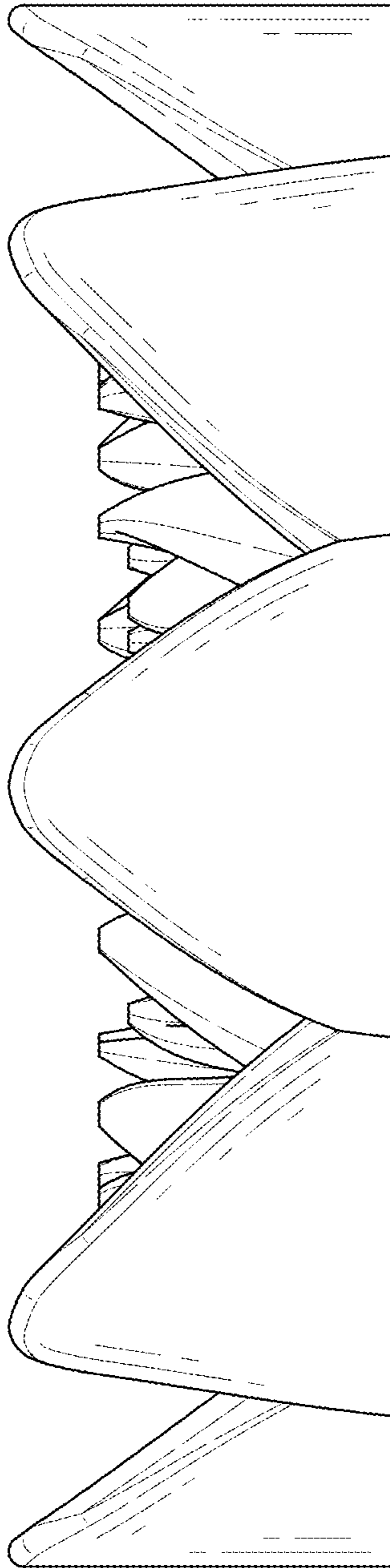


FIG. 6

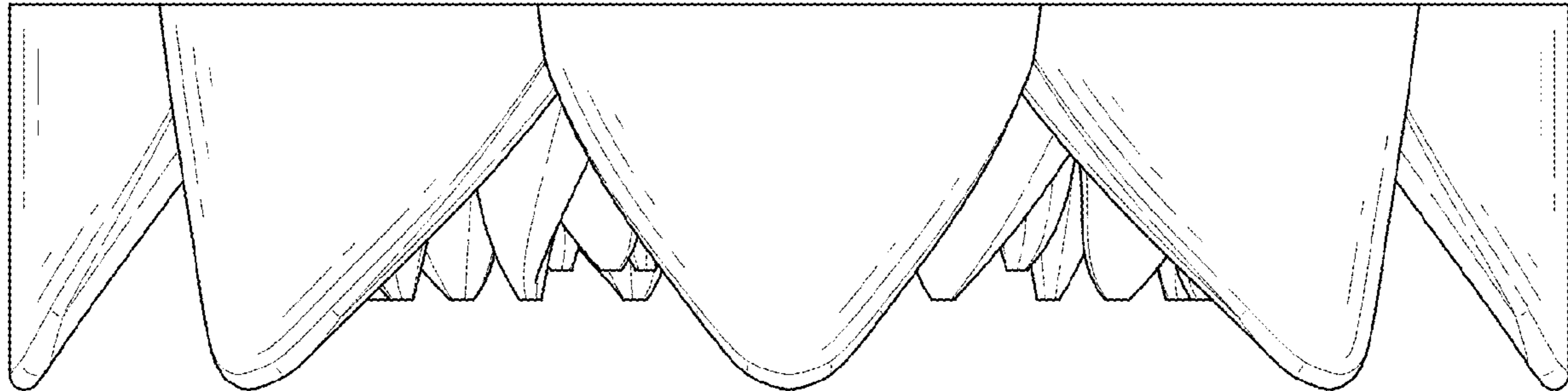


FIG. 7

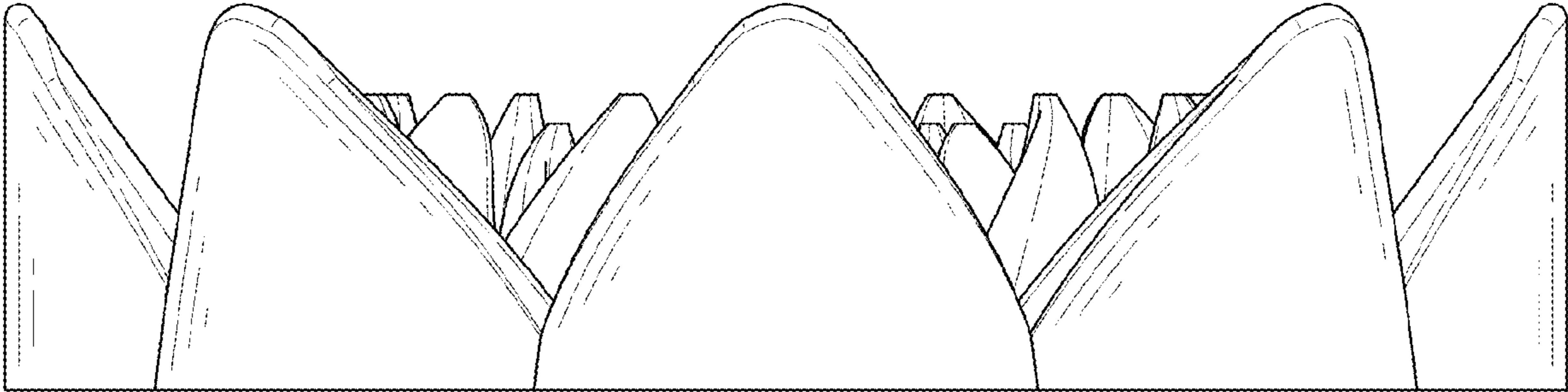


FIG. 8