



(12) **United States Design Patent** (10) **Patent No.:** **US D959,686 S**
Zhang et al. (45) **Date of Patent:** **** Aug. 2, 2022**

(54) **SKINCARE DEVICE**

(71) Applicants: **Yang Zhang**, Tustin, CA (US);
Rongwei Mao, Mission Viejo, CA (US)

(72) Inventors: **Yang Zhang**, Tustin, CA (US);
Rongwei Mao, Mission Viejo, CA (US)

(**) Term: **15 Years**

(21) Appl. No.: **29/735,416**

(22) Filed: **May 21, 2020**

(51) **LOC (13) Cl.** **28-03**

(52) **U.S. Cl.**
USPC **D24/214**

(58) **Field of Classification Search**

USPC D24/215, 211, 212, 213, 214, 107, 231,
D24/152, 133, 146, 147; D28/7, 21, 30;
D4/104, 116, 129, 136, 137, 138, 199
CPC A45D 26/0004; A61H 15/0085; A61H
2205/022; A61H 2201/0153; A61H 7/00;
A61H 7/002; A61H 7/003; A61H 7/005
See application file for complete search history.

(56) **References Cited**

U.S. PATENT DOCUMENTS

D369,220 S *	4/1996	Huang	D24/215
D466,217 S *	11/2002	Harris	D24/215
D517,218 S *	3/2006	Kalen	D24/215
D706,445 S *	6/2014	Logan	D24/215
D756,528 S *	5/2016	Grant	D24/214
D818,272 S *	5/2018	Tai	D4/100
D844,161 S *	3/2019	De Klein	D24/209
D864,860 S *	10/2019	Zhan	D13/108
D872,362 S *	1/2020	Long	D28/44.1
D880,869 S *	4/2020	Li	D4/100

OTHER PUBLICATIONS

Nebulyft—Nebulyft R1 Multipolar RF Anti-Aging Device. Date: Not Listed. [online]. [Site visited Dec. 20, 2021]. Available from Internet URL: <https://nebulyft.com/products/nebulyft-r1> (Year: 2021).*

ReVive Light Therapy Clinical. Date: Feb. 1, 2019. [online]. [Site visited Dec. 6, 2021]. Available from Internet URL: <https://www.amazon.co.uk/dp/B00GY11A7O/> (Year: 2019).*

TOUCHBeauty—Facial Massager. Date: Apr. 12, 2018. [online]. [Site visited Dec. 6, 2021]. Available from Internet URL: <https://www.amazon.co.uk/dp/B07C1LS3FM/> (Year: 2018).*

Skincare devices. (Design—© Questel) orbit.com. [Online PDF compilation of references] 20 pgs. Print Dates Range Jan. 6, 2016-Apr. 27, 2020 [Retrieved Dec. 20, 2021] <https://www.orbit.com/export/UCZAH96B/pdf4/06071fc8-9dec-43db-96a4-50ed3fd1ee3f-191037.pdf> (Year: 2021).*

* cited by examiner

Primary Examiner — Susan Bennett Hattan
Assistant Examiner — Landon Thomas Cassell

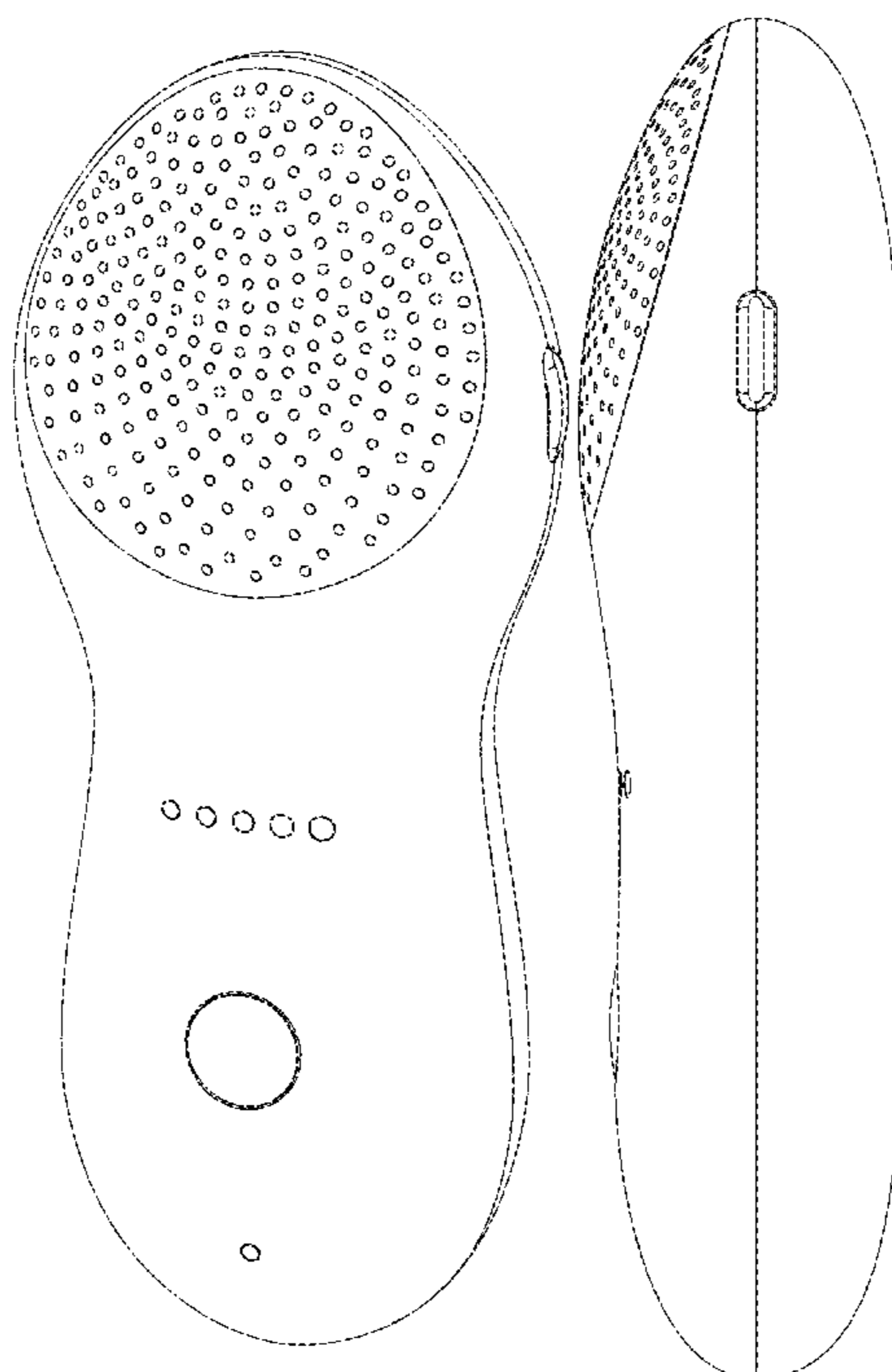
(57) **CLAIM**

The ornamental design for a skincare device, as shown and described.

DESCRIPTION

FIG. 1 is a front view of a skincare device showing my new design;
FIG. 2 is a perspective view thereof;
FIG. 3 is a left view thereof;
FIG. 4 is a right view thereof;
FIG. 5 is a bottom view thereof;
FIG. 6 is a top view thereof; and,
FIG. 7 is a backside view thereof.

1 Claim, 7 Drawing Sheets



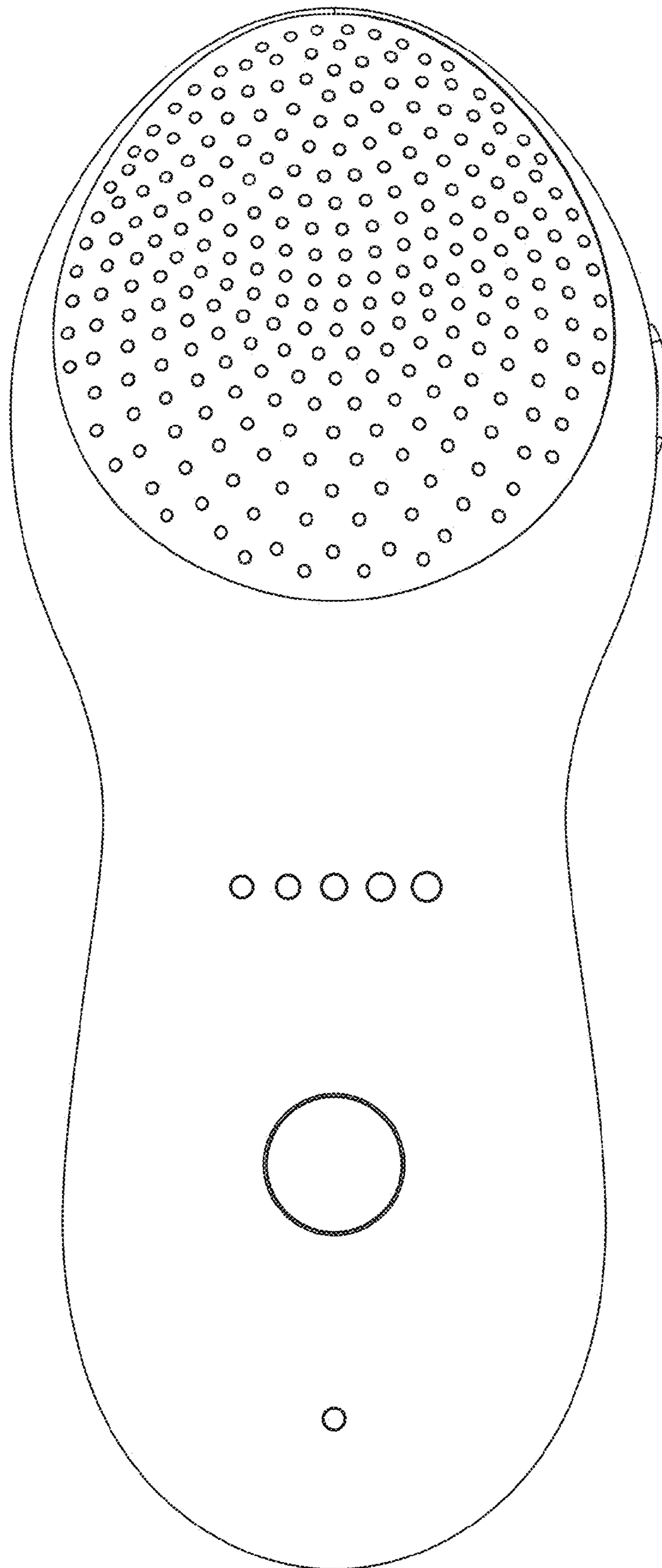


FIG. 1

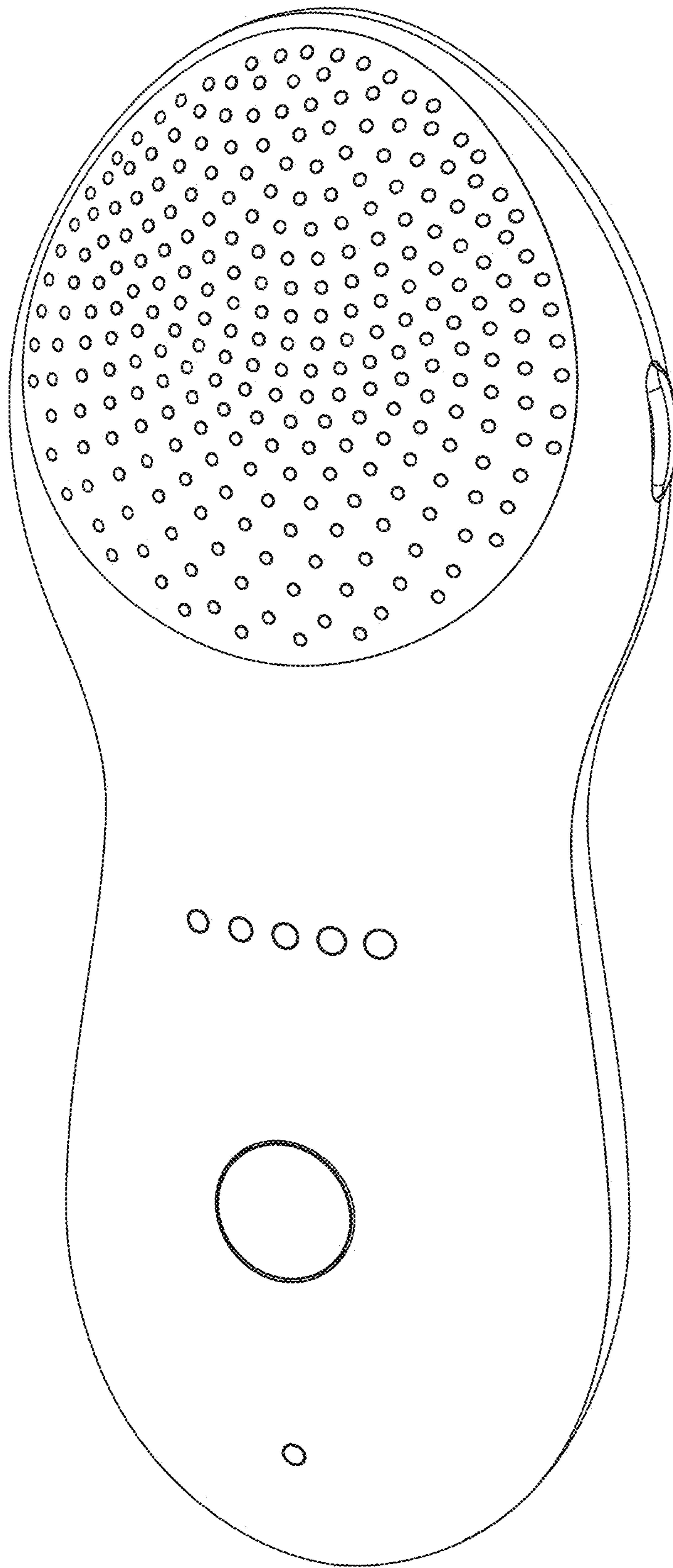


FIG. 2

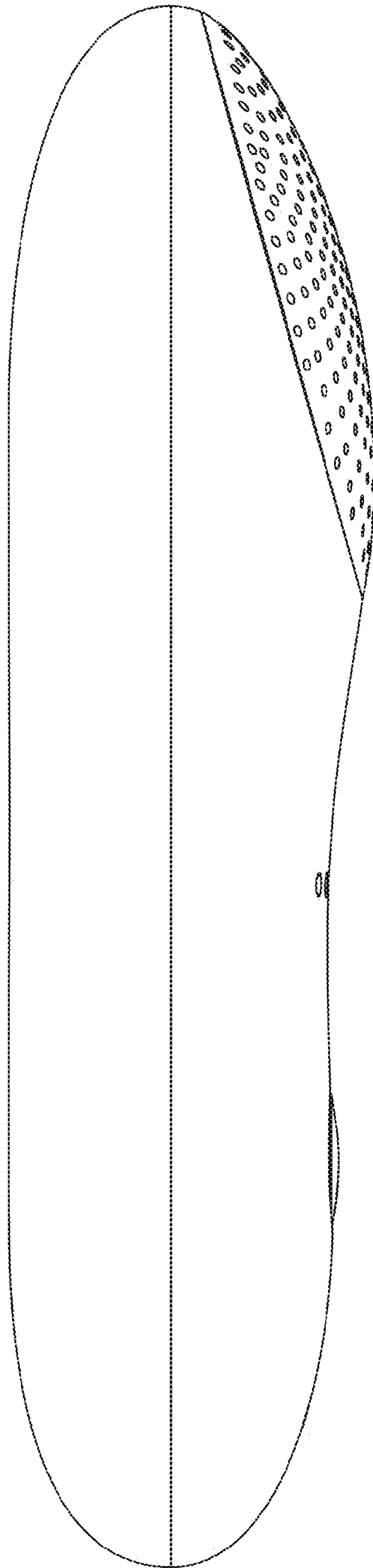


FIG. 3

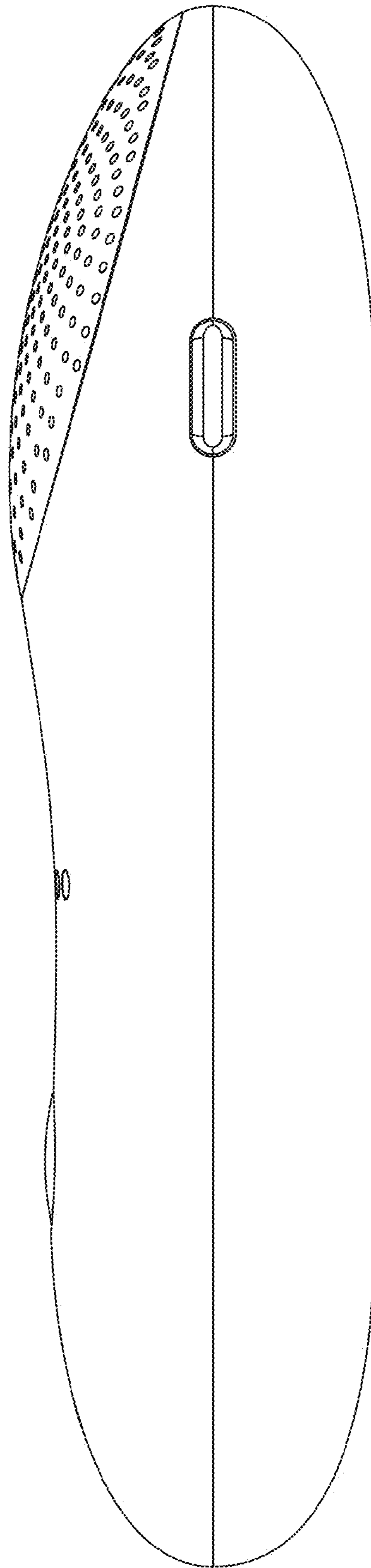


FIG. 4

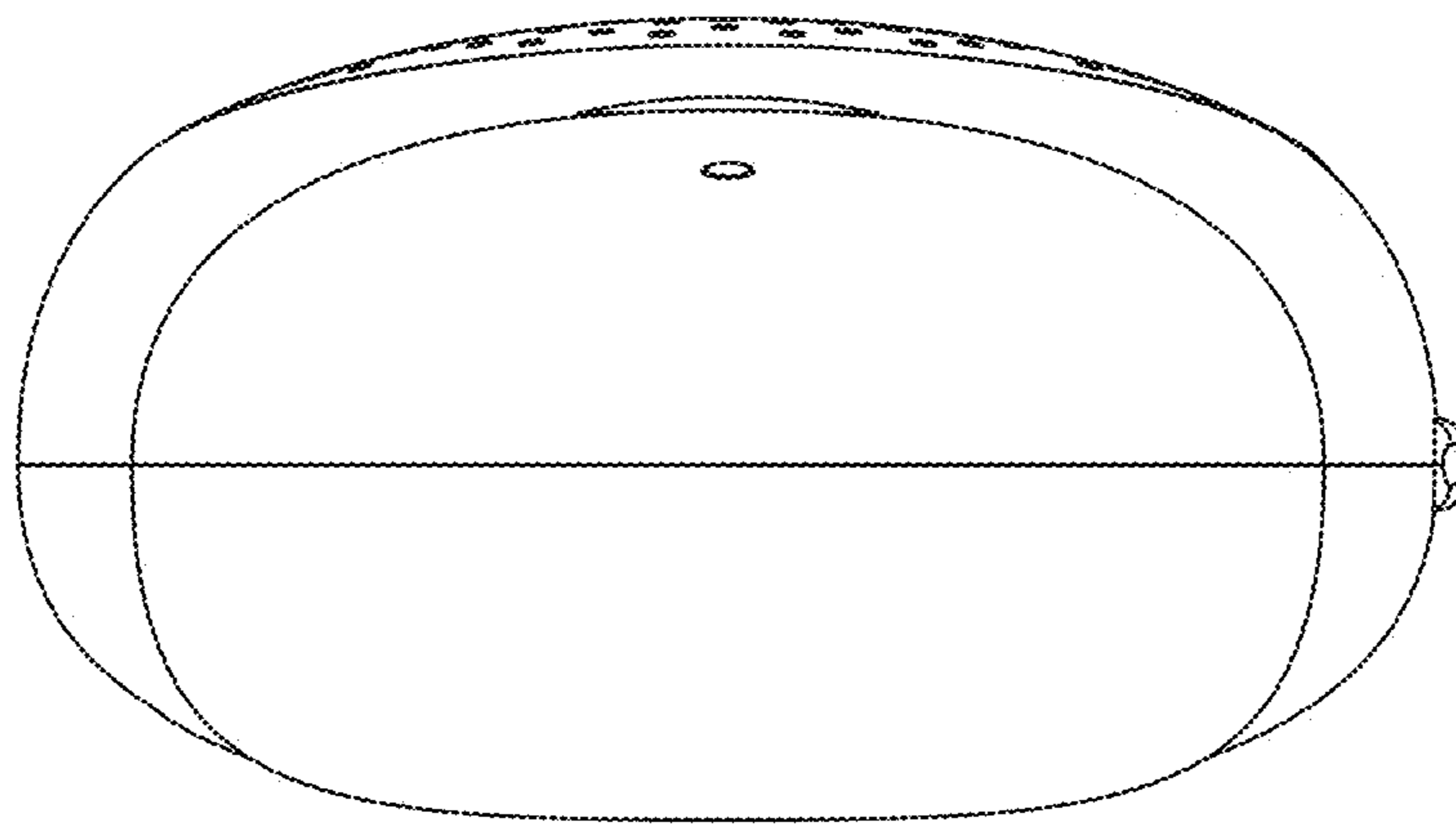


FIG. 5

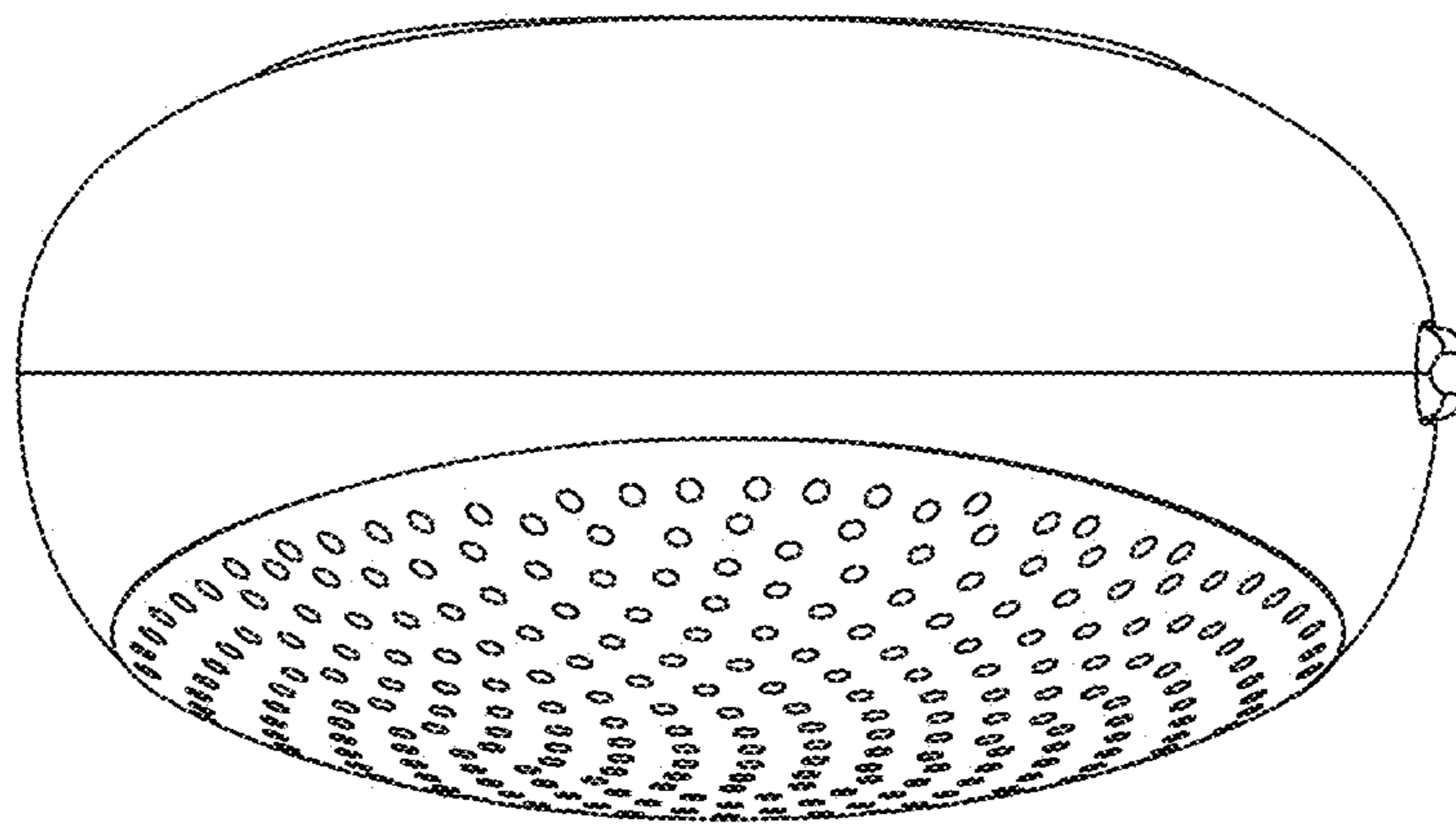


FIG. 6

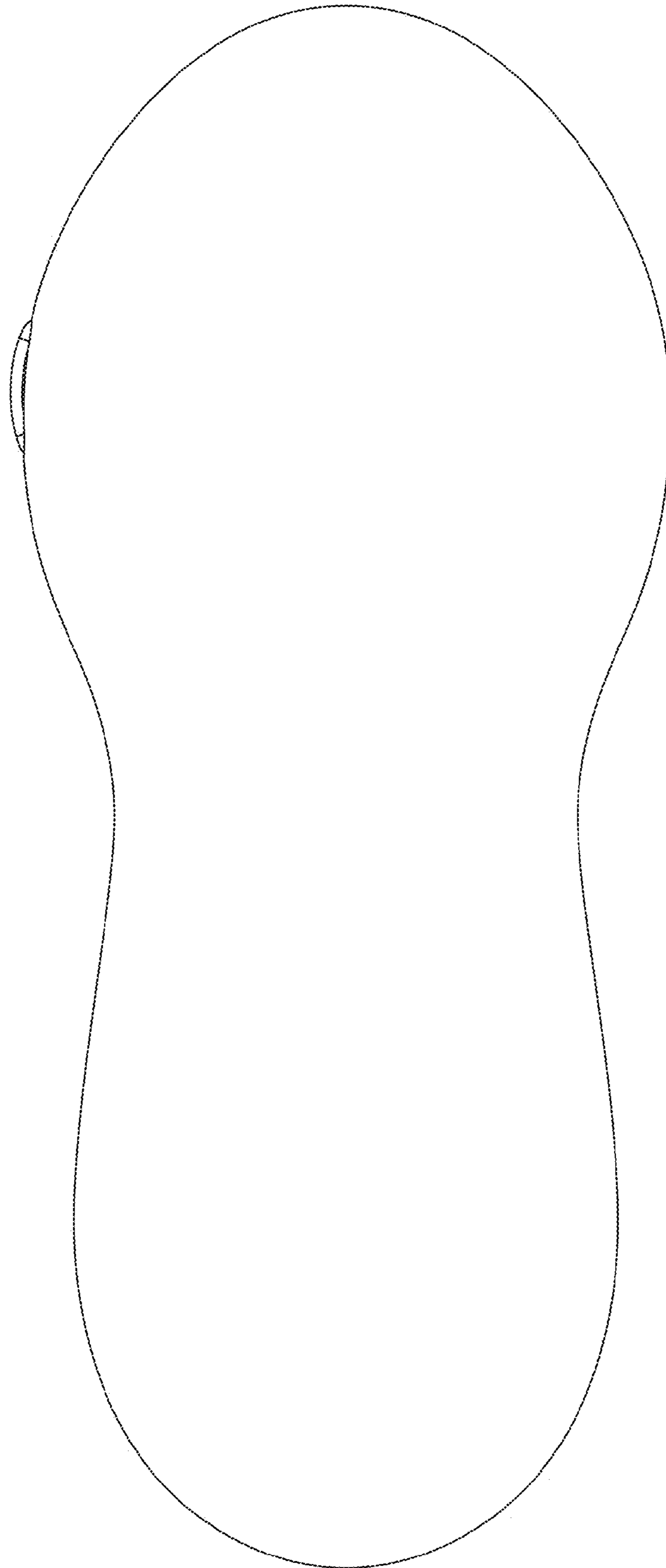


FIG. 7