



US00D959685S

(12) **United States Design Patent**  
**Juta et al.**

(10) **Patent No.: US D959,685 S**

(45) **Date of Patent: \*\* Aug. 2, 2022**

(54) **THERAPEUTIC EYE MASK**

(71) Applicant: **KOBAYASHI PHARMACEUTICAL CO., LTD.**, Osaka (JP)

(72) Inventors: **Tetsuro Juta**, Osaka (JP); **Akira Hirano**, Osaka (JP); **Koudai Okada**, Osaka (JP); **Shuichi Hibi**, Hyogo (JP)

(73) Assignee: **KOBAYASHI PHARMACEUTICAL CO., LTD.**, Osaka (JP)

(\*\*) Term: **15 Years**

(21) Appl. No.: **29/773,142**

(22) Filed: **Mar. 8, 2021**

(30) **Foreign Application Priority Data**

Jan. 13, 2021 (JP) ..... 2021-000560 D

(51) **LOC (13) Cl.** ..... **24-01**

(52) **U.S. Cl.**  
USPC ..... **D24/206**

(58) **Field of Classification Search**  
USPC ..... D24/200, 206–207, 186–187, 232, 133, D24/209, 211–215, 188–192, 145–147, D24/143, 164–169; D13/182; D4/121, D4/127, 138, 199, 130–134, 147; D28/7, D28/56–63; D8/90, 94; D32/35, 40; D30/160; D29/121.1, 101.5, 122, D29/100–102

CPC ... A61B 5/0478; A61B 5/0492; A61B 5/6803; A61B 5/6814; A61B 17/00761; A61B 17/05; A61B 2017/320004; A61B 18/203; A61B 2018/00452; A61B 2017/00747; A61N 1/04; A61N 1/0404; A61N 1/0424; A61N 1/0456; A61N 1/0476; A61N 1/0484; A61N 1/0492; A61N 1/0526; A61N 1/36014; A61N 1/36017; A61N 1/18; A61N 2007/0034; A61N 2005/0644; A61N 2005/0662; A61N 5/0616; A61H 2201/1253; A61H 23/0263; A61H 7/00;

(Continued)

(56) **References Cited**

U.S. PATENT DOCUMENTS

D367,197 S \* 2/1996 Fuchs ..... D34/27  
D528,206 S \* 9/2006 Bierman ..... D24/189

(Continued)

FOREIGN PATENT DOCUMENTS

JP 1458411 S 12/2012  
JP 1473145 S 6/2013

(Continued)

OTHER PUBLICATIONS

12 Packs Steam Eye Masks, first available Jan. 7, 2019, amazon.com, [online], [site visited May 18, 2022], Available from internet URL: [https://www.amazon.com/dp/B09NLPGGCC/ref=sspa\\_dk\\_detail\\_4?pf\\_rd\\_p=57cbdc41-b731-4e3d-aca7-49078b13a07b&pd\\_rd\\_wg=Vcrpg&pf\\_rd\\_r=J0%E2%80%A6&th=1](https://www.amazon.com/dp/B09NLPGGCC/ref=sspa_dk_detail_4?pf_rd_p=57cbdc41-b731-4e3d-aca7-49078b13a07b&pd_rd_wg=Vcrpg&pf_rd_r=J0%E2%80%A6&th=1) (Year: 2019).\*

(Continued)

*Primary Examiner* — Samantha Q Lawrence

*Assistant Examiner* — Holly M Rodriguez

(74) *Attorney, Agent, or Firm* — Kenja IP Law PC

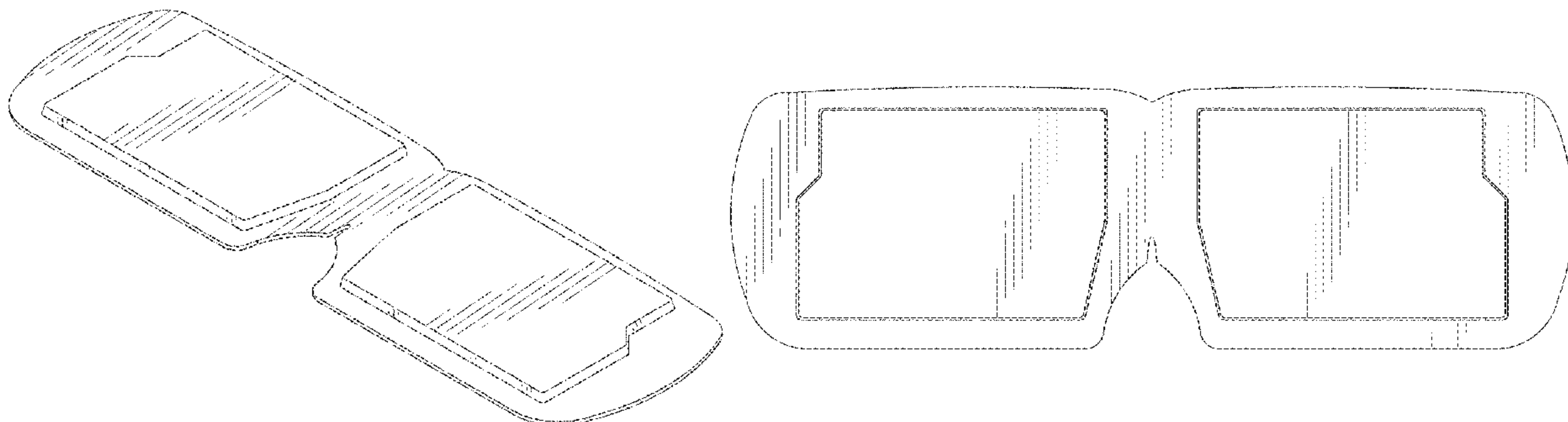
(57) **CLAIM**

The ornamental design for a therapeutic eye mask, as shown and described.

**DESCRIPTION**

FIG. 1 is a perspective view of a therapeutic eye mask; FIG. 2 is a front view of a therapeutic eye mask; FIG. 3 is a rear view thereof; FIG. 4 is a right side view thereof, the left side view being a mirror image thereof; FIG. 5 is a top view thereof; and, FIG. 6 is a bottom view thereof.

**1 Claim, 6 Drawing Sheets**



(58) **Field of Classification Search**

CPC ..... A61H 35/006; A61H 7/002; A61H 7/003;  
 A61H 7/005; A61H 2205/022; A61H  
 2201/1692; A61H 7/001; A61H 7/004;  
 A61H 7/007; A61H 7/008; A61H 15/00;  
 A61H 715/0078; A61H 15/0085; A61H  
 2015/0007; A61H 2015/0042; A61H  
 2015/005; A61H 2015/0071; A61H  
 39/002; A61H 2201/10; A61H 15/0092;  
 A61H 2201/0153; A61H 2015/0014;  
 A61H 39/04; A45D 29/00; A45D 29/17;  
 A61G 12/124; A61F 13/38; A61F  
 2005/0172; A61F 5/0109; A61F 5/0123;  
 A61F 13/085; A61F 2002/30024; A61F  
 2002/5055; A61F 2002/5056; A61F  
 2002/7818; A61F 2002/785; A61F  
 2005/0137; A61F 2005/0169; B23D  
 67/12; B23D 69/00; A47K 7/00; A47K  
 7/02; A47K 7/002; A47K 7/04; A47K  
 7/043; A46B 2200/102; A46B 5/0095;  
 A46B 7/08; Y10S 601/01; Y10S 601/03;  
 Y10S 601/04; Y10S 601/05; Y10S  
 601/14; Y10S 601/15

See application file for complete search history.

(56) **References Cited**

U.S. PATENT DOCUMENTS

D574,085 S \* 7/2008 Lucchetti ..... D24/189  
 D609,359 S \* 2/2010 Yim ..... D24/206  
 D685,489 S \* 7/2013 Nishioka ..... D24/206  
 D703,826 S \* 4/2014 Nishioka ..... D24/206  
 D704,850 S \* 5/2014 Nishioka ..... D24/206

D799,122 S \* 10/2017 Kang ..... D29/122  
 D851,270 S \* 6/2019 Biser ..... D24/206  
 D925,747 S \* 7/2021 Igaue ..... D24/206  
 D946,162 S \* 3/2022 Matsumura ..... D24/208  
 D949,954 S \* 4/2022 Sitt ..... D16/301  
 D951,469 S \* 5/2022 Yu ..... D24/214

FOREIGN PATENT DOCUMENTS

JP 1473146 S 6/2013  
 JP 1514585 S 1/2015  
 JP 1678523 S 2/2021  
 JP 1678524 S 2/2021  
 JP 1678541 S 2/2021  
 JP 1678542 S 2/2021  
 KR 300818509 S 10/2015  
 KR 300819254 S 10/2015

OTHER PUBLICATIONS

Steam Sleep Eye Mask, first available Jul. 5, 2021, amazon.com, [online], [site visited May 18, 2022], Available from internet URL: [https://www.amazon.com/dp/B098P72HCR/ref=sspa\\_dk\\_detail\\_6?psc=1](https://www.amazon.com/dp/B098P72HCR/ref=sspa_dk_detail_6?psc=1) (Year: 2021).\*

Yrbencao Steam Eye Mask, first available Mar. 17, 2022, amazon.com, [online], [site visited Feb. 6, 2022], Available from internet URL: [https://www.amazon.com/dp/B09R1P94QY/ref=sspa\\_dk\\_detail\\_7?spLa=](https://www.amazon.com/dp/B09R1P94QY/ref=sspa_dk_detail_7?spLa=)

ZW5jcnlwdGVkUXVhbGlmaWVyPUE0WFRMOTg1U1M%E2%80%A6&th=1 (Year: 2022).\*

Kao Megurism Health Care Steam Warm Eye Mask, first available Oct. 29, 2018, amazon.com, [online], [site visited May 18, 2022], Available from internet URL: [https://www.amazon.com/MEGURISM-Health-Steam-Lavender-Sheets/dp/B07FXQSRN4/ref=pd\\_lpo\\_1?pd\\_rd\\_i=B07FXQSRN4&psc=1](https://www.amazon.com/MEGURISM-Health-Steam-Lavender-Sheets/dp/B07FXQSRN4/ref=pd_lpo_1?pd_rd_i=B07FXQSRN4&psc=1) (Year: 2018).\*

\* cited by examiner

FIG.1

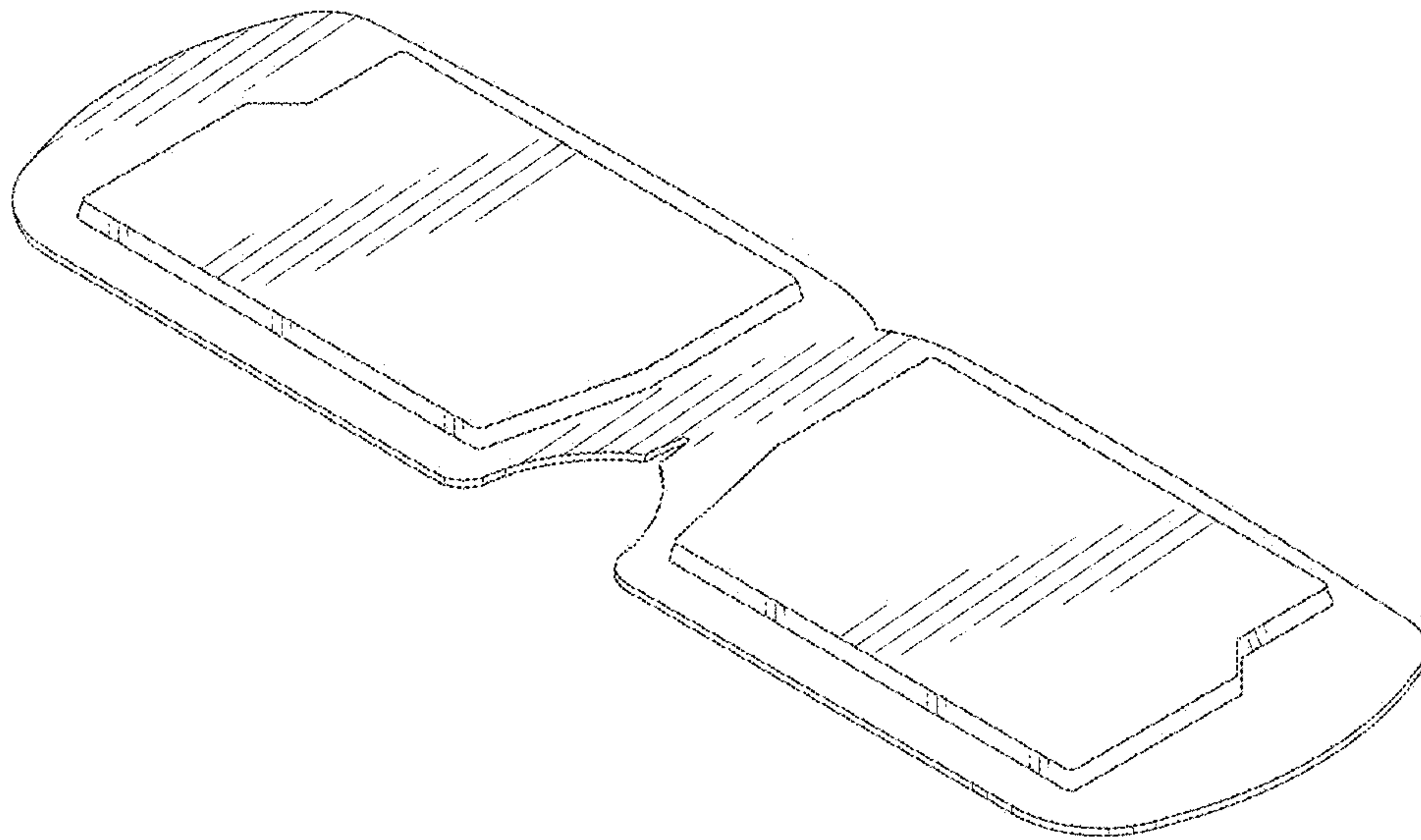


FIG.2

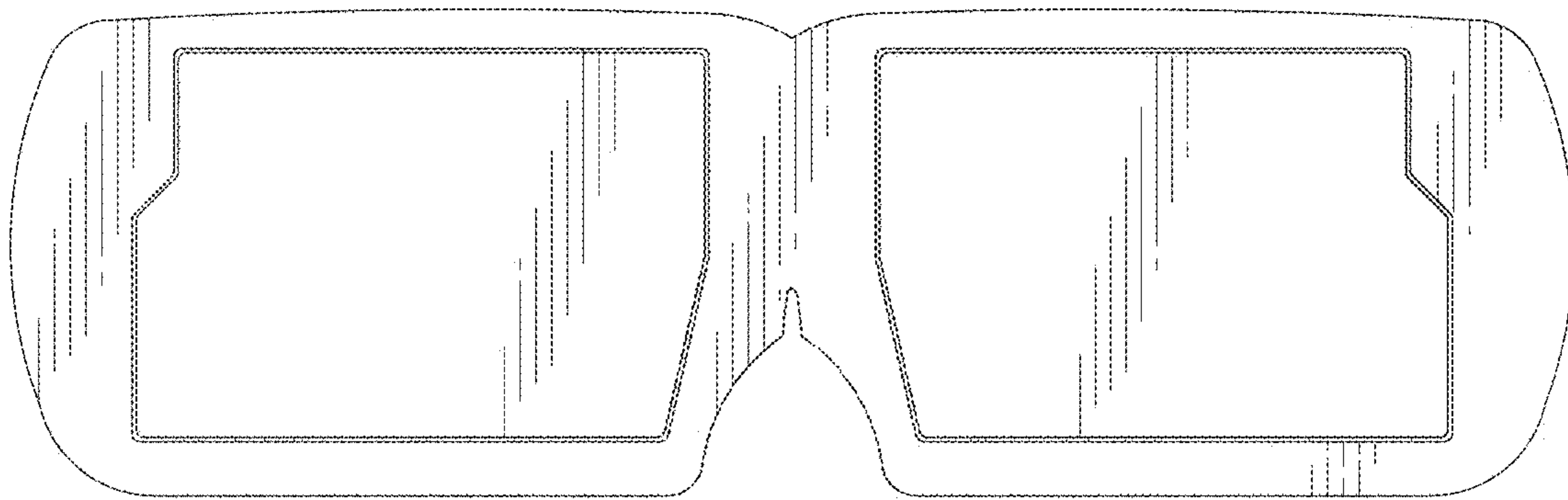


FIG.3

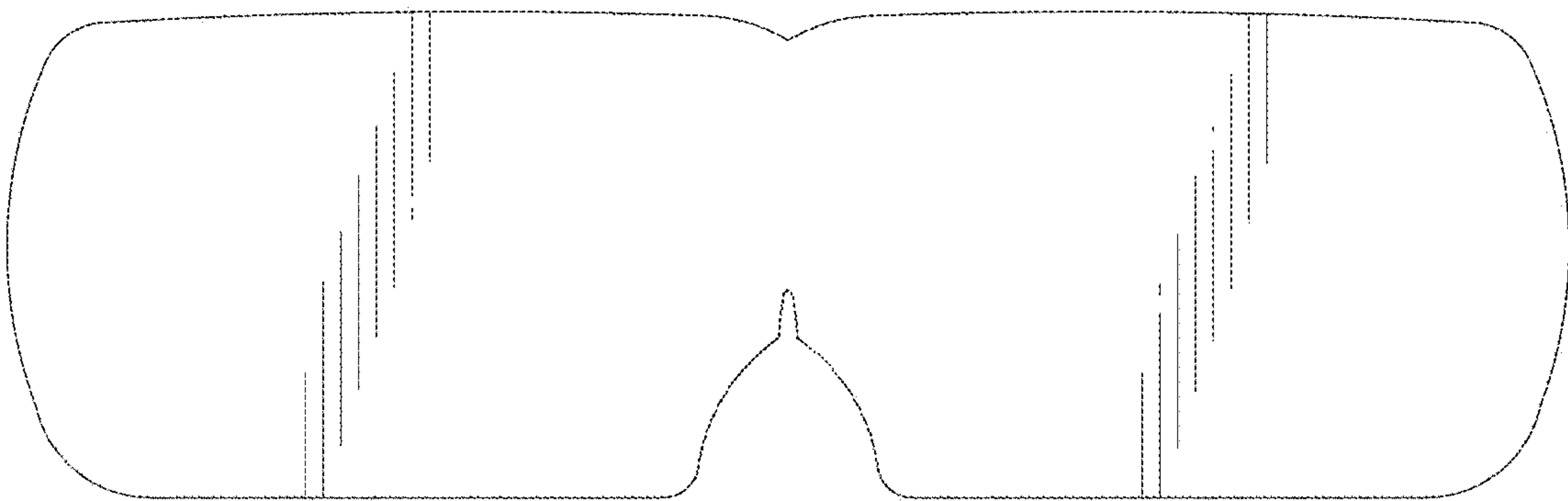


FIG.4

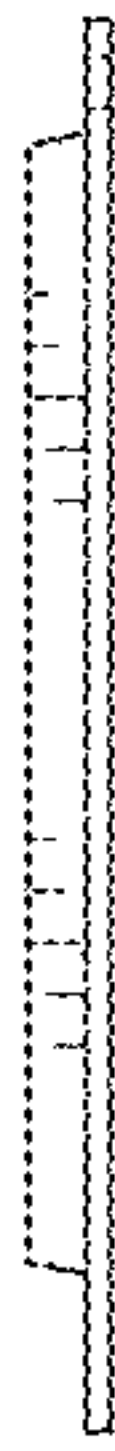




FIG.5

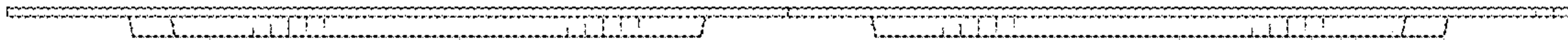


FIG.6

