



US00D959682S

(12) **United States Design Patent**
Chicarella

(10) **Patent No.:** **US D959,682 S**

(45) **Date of Patent:** **** Aug. 2, 2022**

(54) **BOTTLE RETAINING DEVICE**

(71) Applicant: **Gina Chicarella**, Sussex, NJ (US)

(72) Inventor: **Gina Chicarella**, Sussex, NJ (US)

(**) Term: **15 Years**

(21) Appl. No.: **29/702,546**

(22) Filed: **Aug. 20, 2019**

(51) **LOC (13) Cl.** **07-01**

(52) **U.S. Cl.**

USPC **D24/199**; D24/197

(58) **Field of Classification Search**

USPC D7/507, 509, 510, 511, 529, 531, 532,
D7/523, 392.1, 296.1, 396.2, 300.1, 608,
D7/387, 393, 394, 398, 397; D3/202;
D9/449, 435, 436, 440, 450; D26/89,
D26/197, 199, 194, 195; D24/89, 197,
D24/199, 194, 195

CPC A47G 19/22; A47G 19/2288; A47G
19/2205; A47J 41/0077; A47J 41/0088

See application file for complete search history.

(56) **References Cited**

U.S. PATENT DOCUMENTS

3,332,563	A *	7/1967	Reshan	A61J 9/0615	215/365
4,220,302	A	9/1980	Hampton et al.			
4,718,623	A	1/1988	McClure			
4,989,811	A	2/1991	Millis et al.			
5,664,712	A *	9/1997	Smrt	A45F 5/02	224/250
5,862,927	A	1/1999	Tebeau			
5,964,784	A *	10/1999	Wang	A61J 17/001	606/234
D417,505	S *	12/1999	Nuzzo	D24/197	
6,029,870	A *	2/2000	Giacona, III	A45F 3/14	224/148.6

D492,418	S *	6/2004	Renz	D24/197	
D500,139	S *	12/2004	Bender	D24/197	
7,204,468	B2 *	4/2007	Kintzele	A47D 15/00	248/102

(Continued)

OTHER PUBLICATIONS

Pacifire clip and holder https://www.amazon.com/Dodo-Babies-Premium-Teething-Universal-Pacifiers/dp/B07FTGRRJB/ref=sr_1_56?keywords=retractable+pacifier+device&qid=1637187606&sr=8-56 (Year: 2018).*

(Continued)

Primary Examiner — Jae Liang

(74) *Attorney, Agent, or Firm* — Boudwin Intellectual Property; Daniel Boudwin

(57)

CLAIM

The ornamental design for a bottle retaining device, as shown and described.

DESCRIPTION

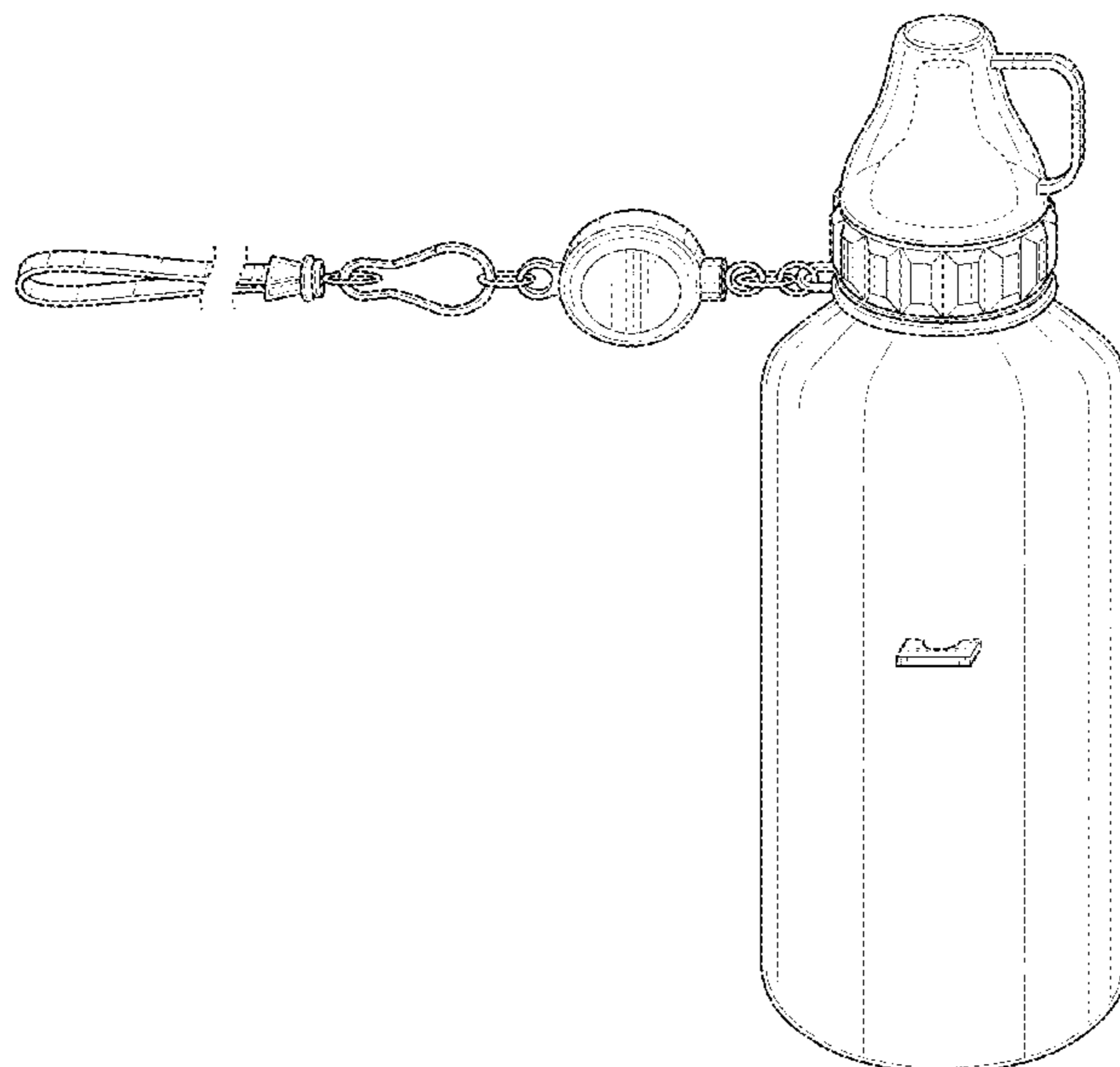
FIG. 1 is a perspective view of a bottle retaining device; FIG. 2 is a right side elevation view of the bottle retaining device; FIG. 3 is a left side elevation view of the bottle retaining device; FIG. 4 is a front elevation view of the bottle retaining device; FIG. 5 is a rear elevation view of the bottle retaining device; FIG. 6 is a top elevation plan view of the bottle retaining device; and, FIG. 7 is a bottom elevation plan view of the bottle retaining device.

The shade lines and dotted areas in the Figures show contour and not surface ornamentation.

The broken lines and the areas within the bounds of the broken lines depict portions of the bottle retaining device that form no part of the claimed design.

The appearance of any portion of the article between symbolic break lines forms no part of the claimed design.

1 Claim, 5 Drawing Sheets



(56)

References Cited

U.S. PATENT DOCUMENTS

7,419,125 B2 9/2008 Simone
D596,747 S * 7/2009 Freeland D24/199
D597,788 S * 8/2009 Ellis D7/387
D628,703 S * 12/2010 Rodriguez D24/199
D677,796 S * 3/2013 Barlow D24/197
D742,019 S * 10/2015 Montgomery D24/197
D866,776 S * 11/2019 Han D24/197
D879,312 S * 3/2020 Han D24/197
2008/0149672 A1 * 6/2008 Frauhiger A45F 5/00
224/148.6
2010/0044334 A1 * 2/2010 Barlow A61J 9/085
215/11.5
2020/0042854 A1 * 2/2020 Salinas H01F 7/02

OTHER PUBLICATIONS

https://www.amazon.com/Soleebee-Retractable-Random-Holder-Alligator/dp/B07V26SMZZ/ref=psdc_705348011_t5_B08HYR866K (Year: 2017).*

https://www.amazon.com/KEY-BAK-Retractable-Retraction-Polycarbonate-Carabiner/dp/B0039YY2QM/ref=cm_cr_ar_p_d_product_top?ie=UTF8 (Year: 2010).*

* cited by examiner

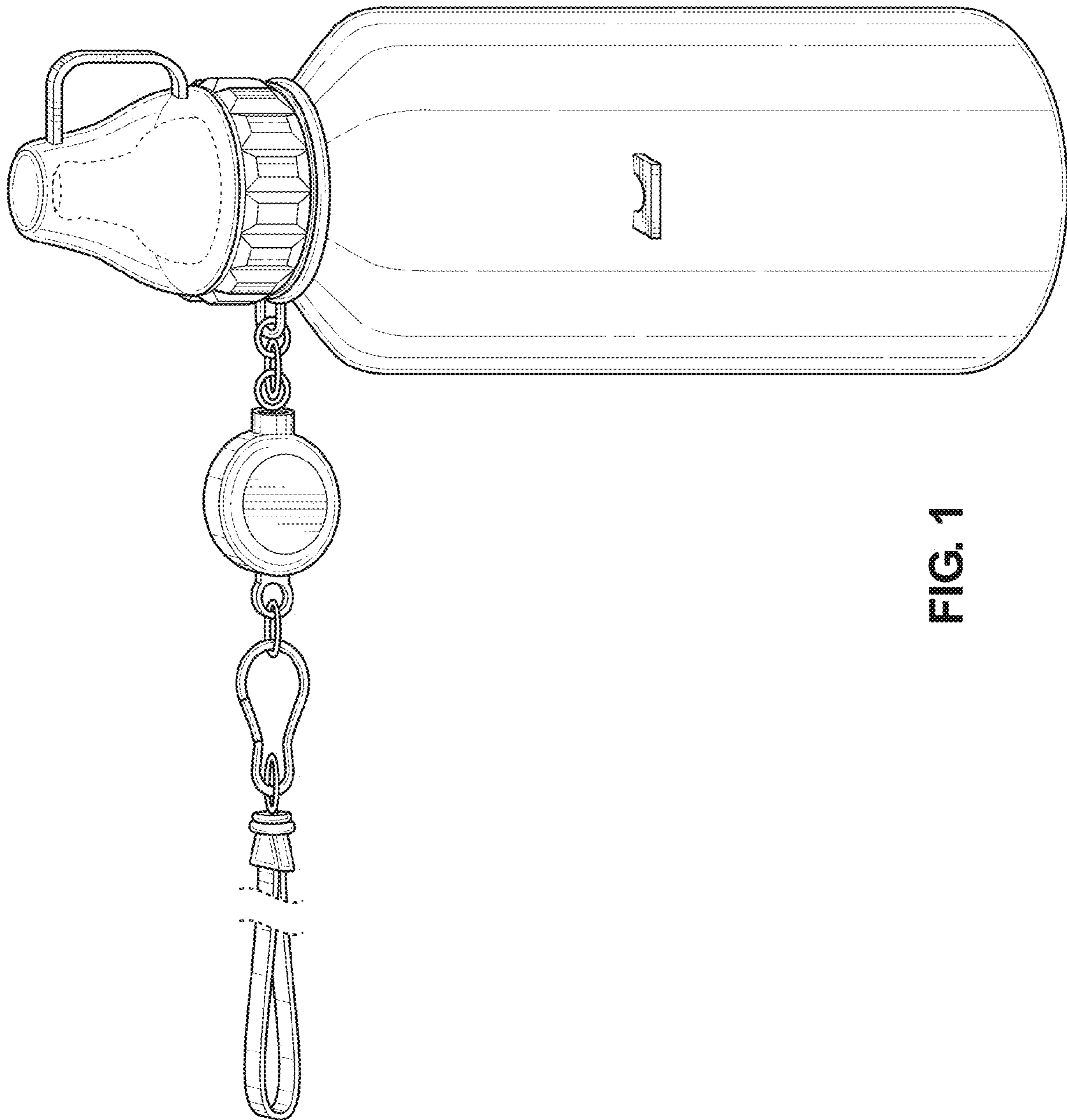


FIG. 1

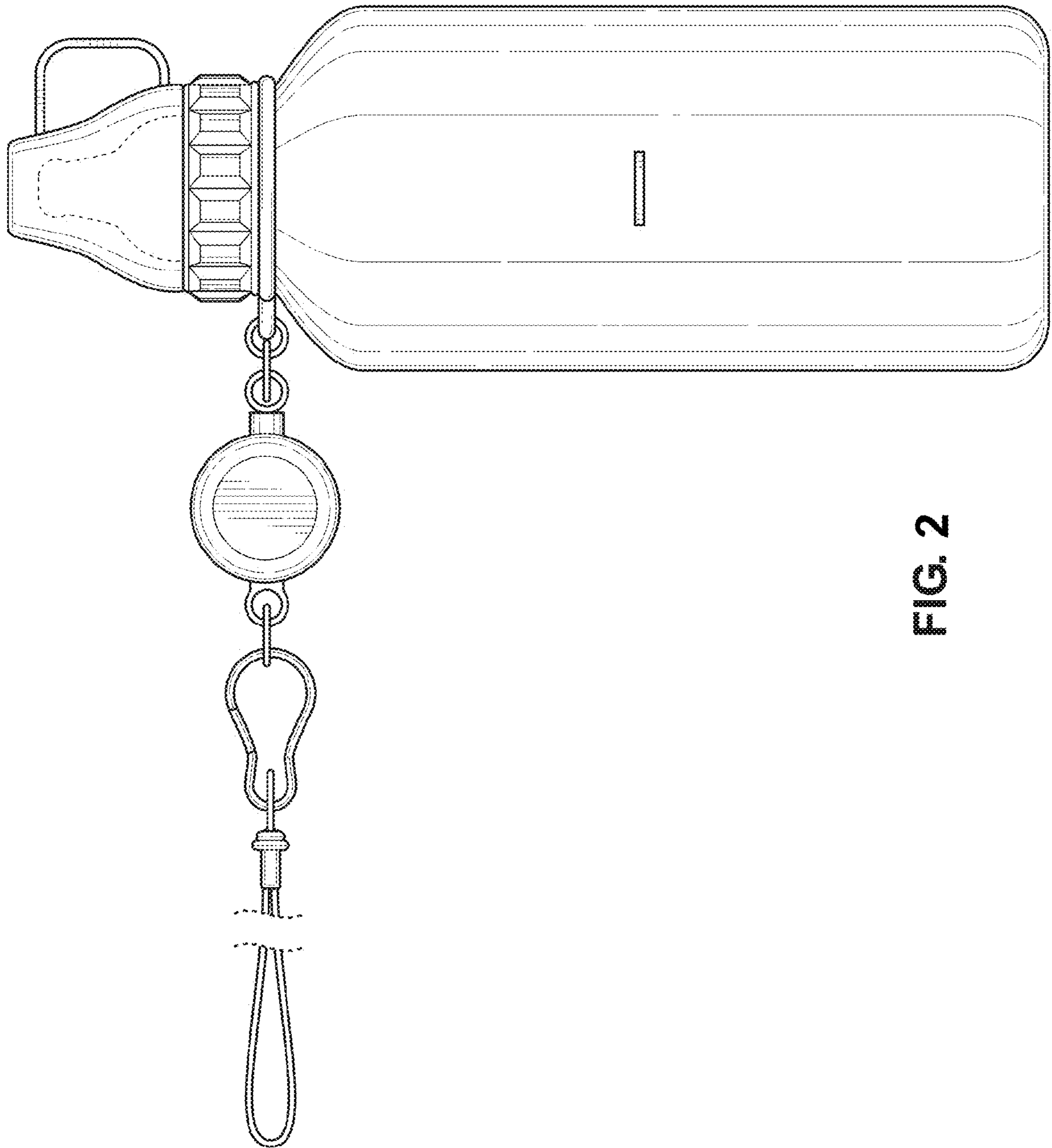


FIG. 2

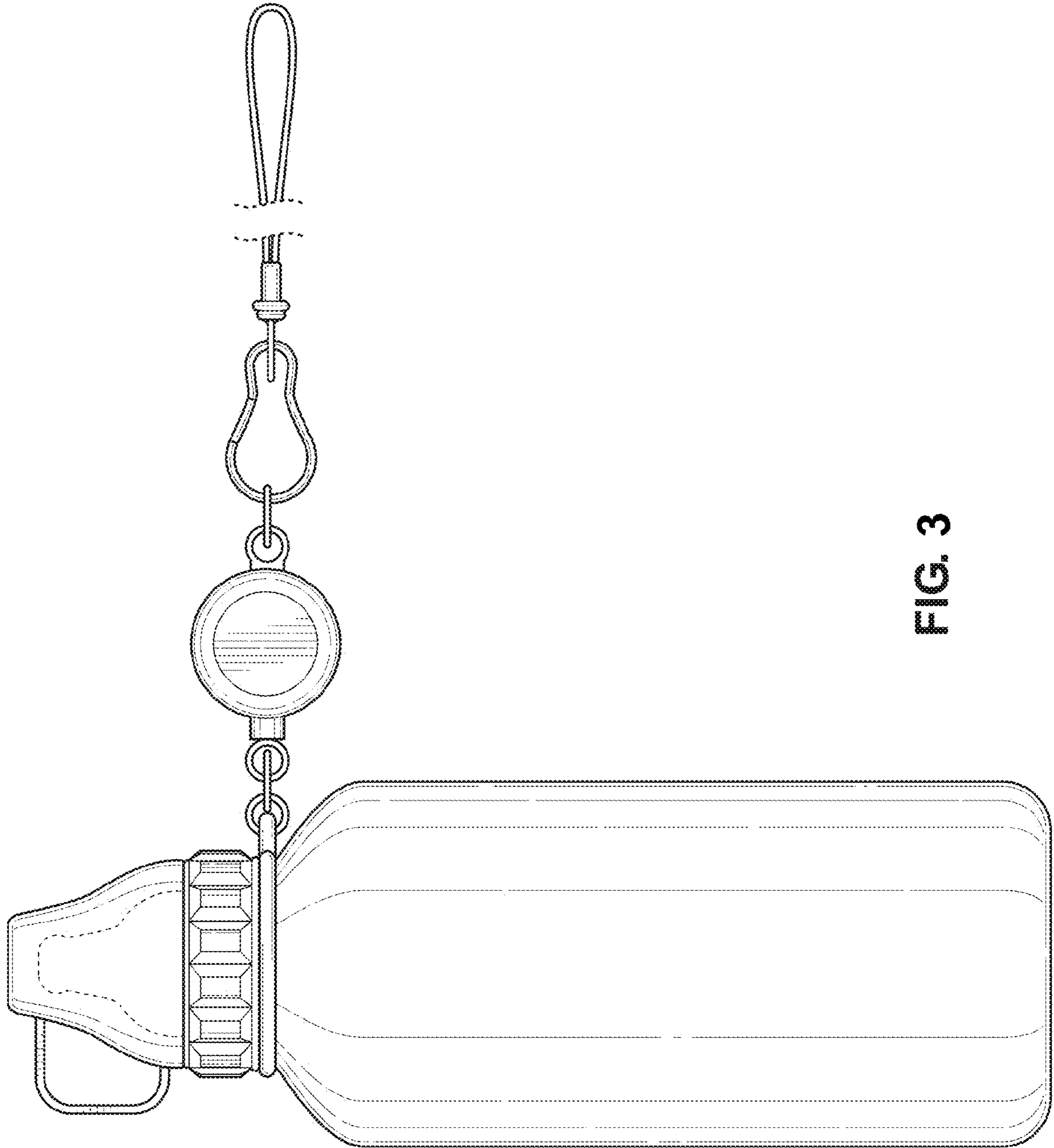


FIG. 3

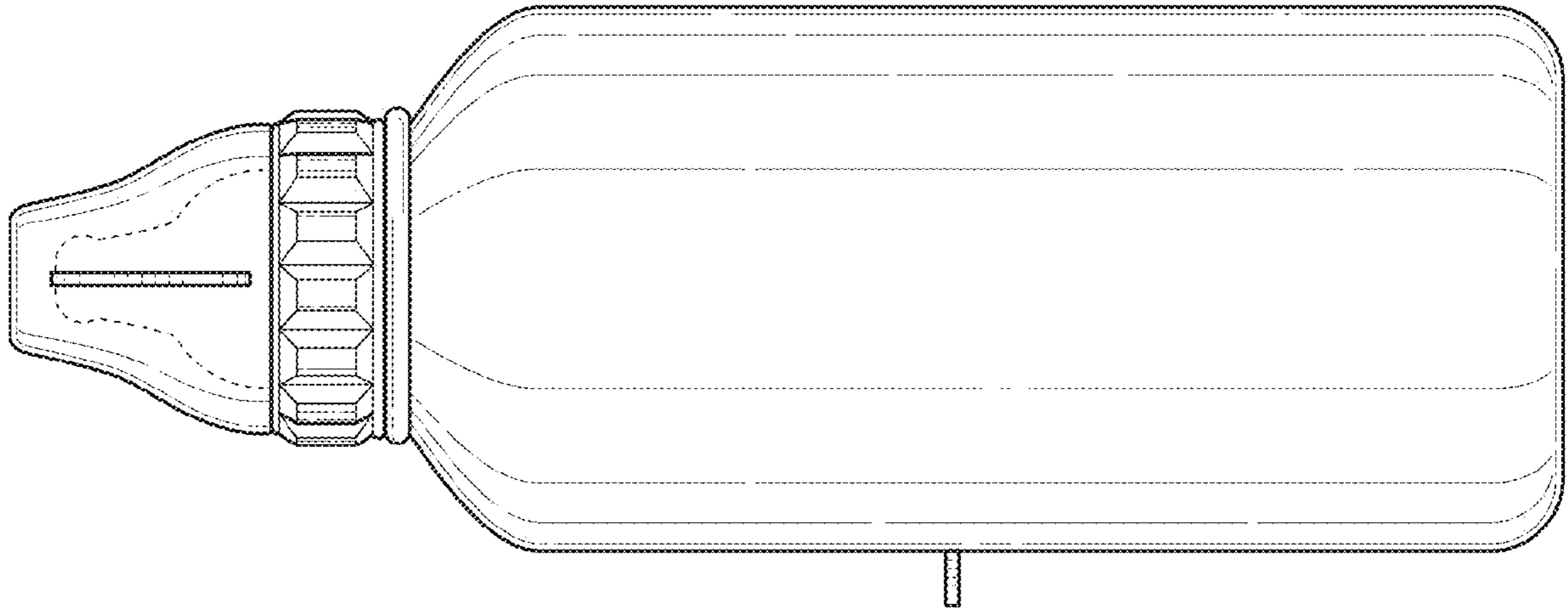


FIG. 5

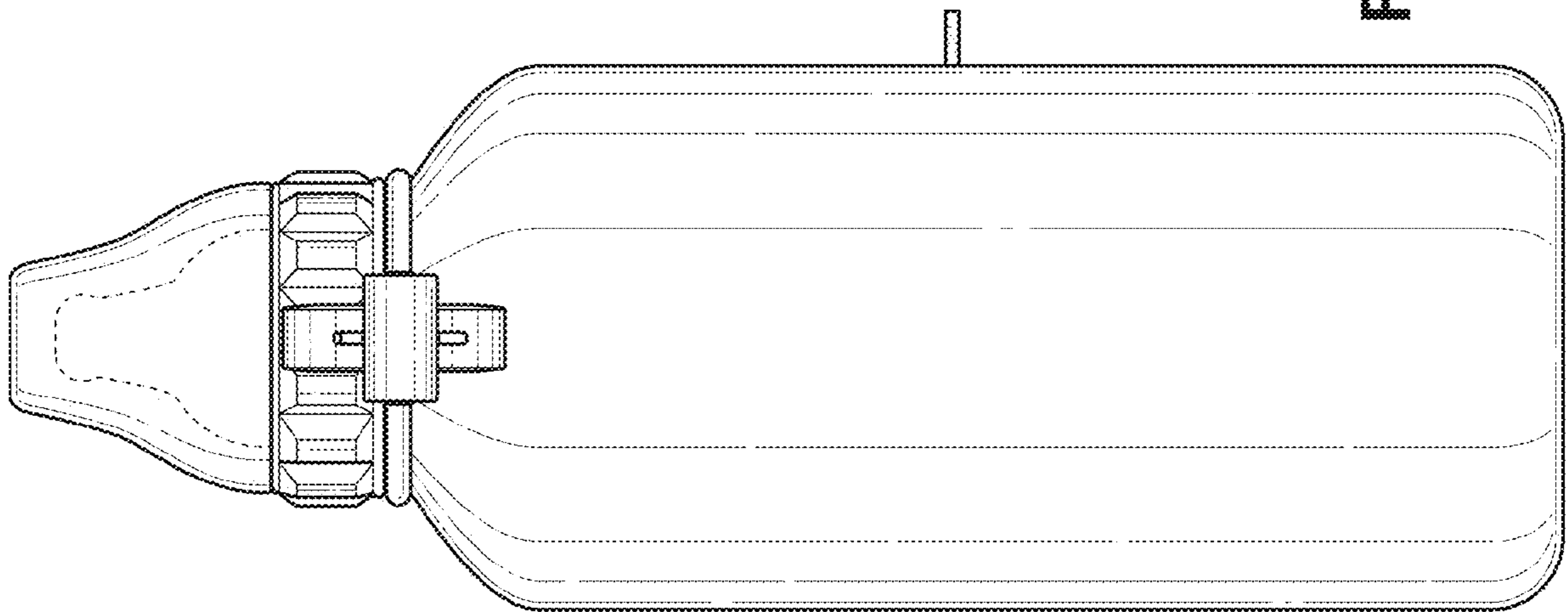


FIG. 4

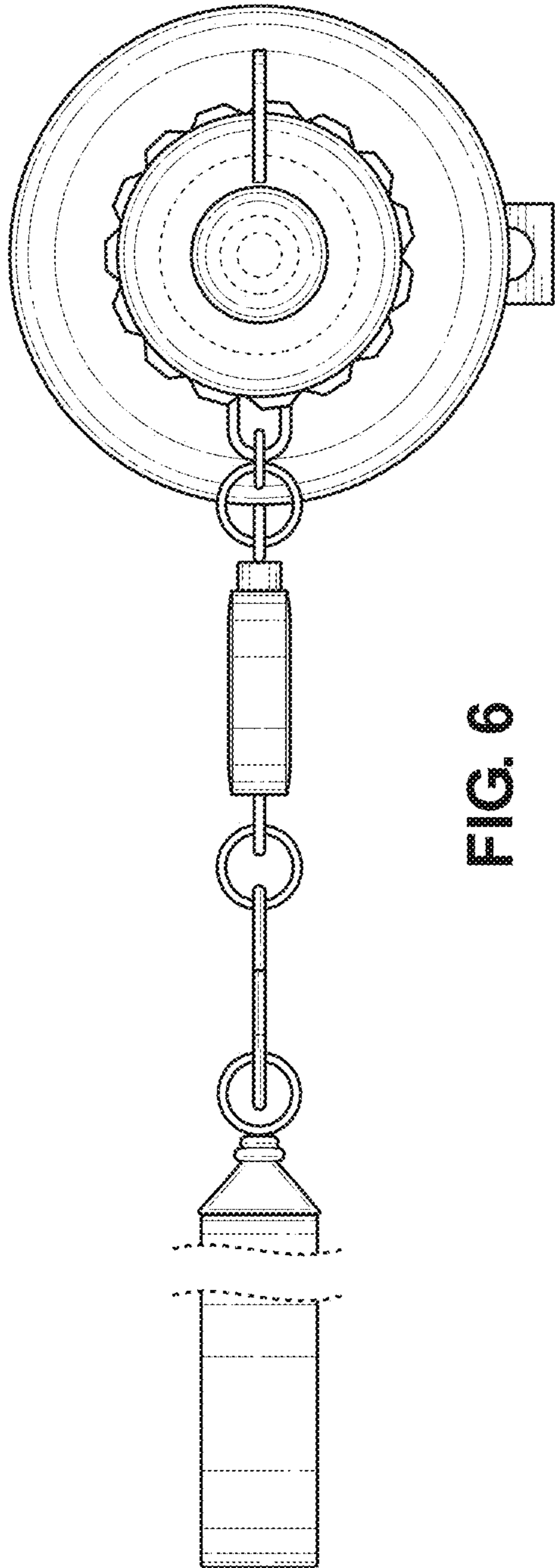


FIG. 6

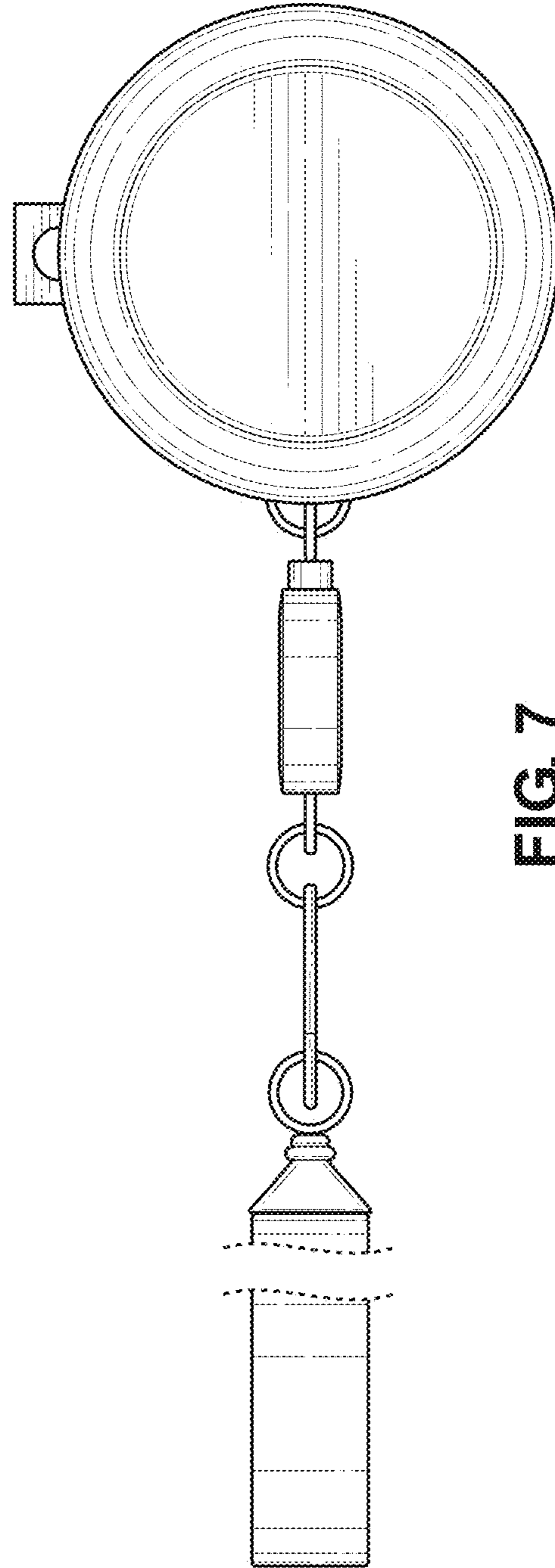


FIG. 7