



US00D959681S

(12) **United States Design Patent** (10) **Patent No.:** **US D959,681 S**
Karpman et al. (45) **Date of Patent:** **** *Aug. 2, 2022**

(54) **ANTIMICROBIAL ADHESIVE TAPE**

FOREIGN PATENT DOCUMENTS

(71) Applicant: **Silver Defender, Corp.**, Fort Lee, NJ (US)

EM 008269807-0002 * 11/2020

(72) Inventors: **Alan Karpman**, Fort Lee, NJ (US);
Boris Karpman, Fort Lee, NJ (US);
Zeynep Ekemen, Fort Lee, NJ (US)

OTHER PUBLICATIONS

(73) Assignee: **Silver Defender Corp**, Fort Lee, NJ (US)

Silver Defender Tape, 4"x 20' Perforated Tape, Antimicrobial Protected Film, Silver Defender Store,[originally posted Oct. 23, 2020], [Site visited Aug. 2, 2021], URL: https://www.amazon.com/Silver-Defender-Antimicrobial-Self-Cleaning-Antibacterial/dp/B08LQX4M58/ref=sr_1_3?dchild=1& (Year: 2020).*
TrioMed MAT-100-10M Antimicrobial Medical Adhesive Tape, [Original post unknown], [Site visited Aug. 2, 2021], URL: <https://www.lifesupply.ca/triomed-mat-100-10m-antimicrobial-medical-adhesive-tape-10cm-x-10m-1-roll-case-of-64/> (Year: 2021).*

(*) Notice: This patent is subject to a terminal disclaimer.

(**) Term: **15 Years**

(Continued)

(21) Appl. No.: **29/734,959**

Primary Examiner — Natasha Vujcic

(22) Filed: **May 17, 2020**

Assistant Examiner — Gilbert B Ford

(51) **LOC (13) Cl.** **24-02**

(74) *Attorney, Agent, or Firm* — Lerner, David, Littenberg, Krumholz & Mentlik, LLP

(52) **U.S. Cl.**
USPC **D24/189**

(57) **CLAIM**

(58) **Field of Classification Search**
USPC D24/188-189; D19/67-69
CPC C09J 7/20; G09F 3/10; A61F 13/0259;
B65H 18/28

The ornamental design for an antimicrobial adhesive tape, as shown and described.

See application file for complete search history.

DESCRIPTION

(56) **References Cited**

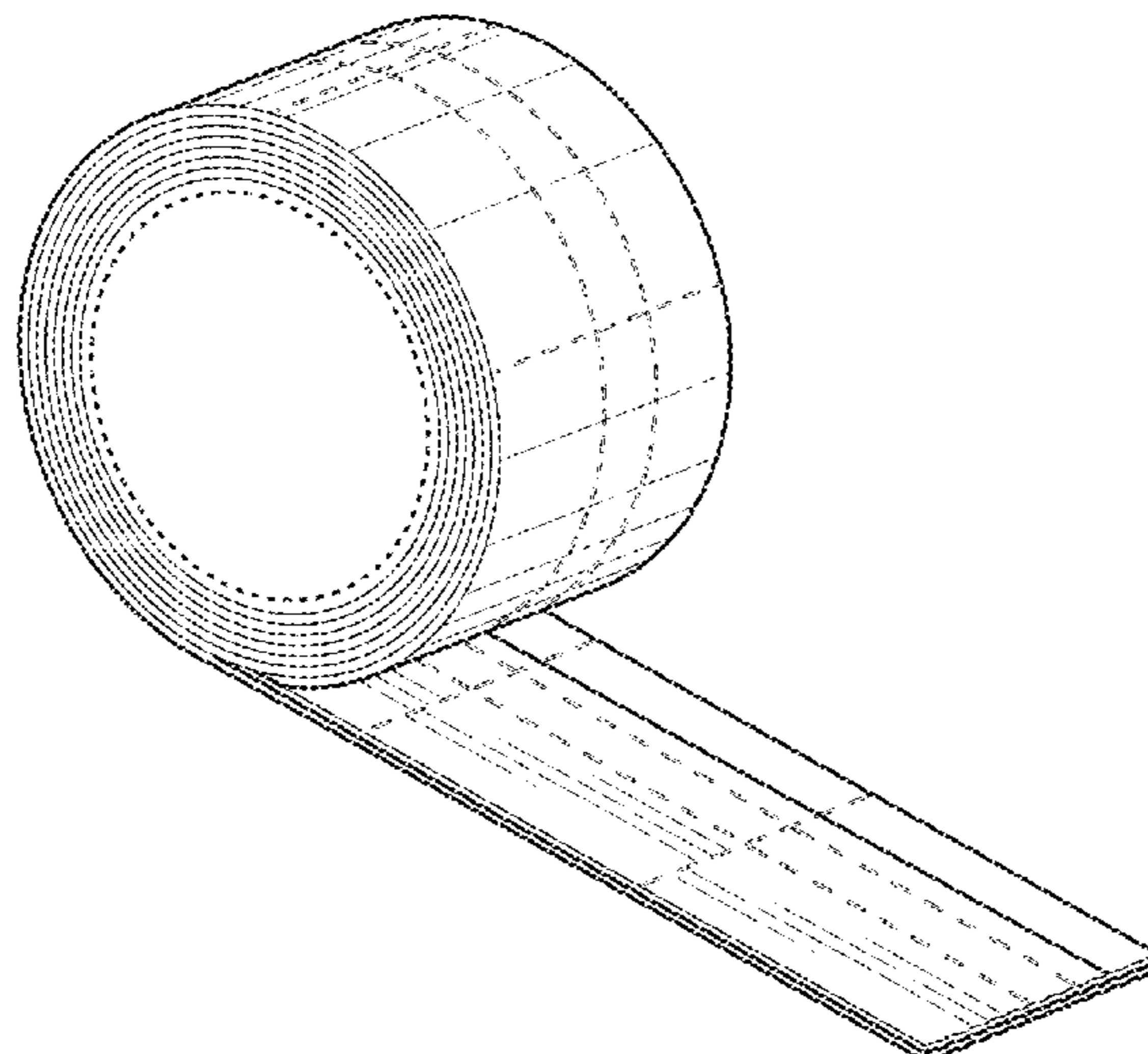
FIG. 1 illustrates a perspective view of an antimicrobial adhesive tape according to our new design; FIG. 2 illustrates a bottom plan view thereof; FIG. 3 illustrates a top plan view thereof; FIG. 4 illustrates a front view thereof; FIG. 5 illustrates a rear view thereof; FIG. 6 illustrates a left-side view thereof; FIG. 7 illustrates a right-side view thereof; and, FIG. 8 illustrates a perspective view thereof showing the antimicrobial adhesive tape in a torn and peeled position. The longer dashed lines in FIGS. 1-5 and 8 are perforations that form part of the claimed design. The shorter broken lines of equal length in FIGS. 1, 6, 7, and 8 represent environmental structure that forms no part of the claimed design.

U.S. PATENT DOCUMENTS

- 5,213,565 A * 5/1993 Rollband A61F 13/0269 602/41
- D472,319 S * 3/2003 Oltmann D24/189
- D637,299 S * 5/2011 Cowles D24/189
- 8,109,524 B1 2/2012 Toohey et al.
- D741,406 S * 10/2015 Doucette D19/69
- D764,118 S 8/2016 Pope
- D772,979 S * 11/2016 Stevens D19/69
- D855,693 S 8/2019 Franco
- 10,390,662 B1 * 8/2019 Gordon A47K 10/16
- D870,719 S 12/2019 Peters et al.
- 10,807,120 B2 * 10/2020 Goad C09J 7/201

(Continued)

1 Claim, 4 Drawing Sheets



(56)

References Cited

U.S. PATENT DOCUMENTS

2005/0050661 A1* 3/2005 McKay A47L 25/005
15/104.002
2007/0014956 A1* 1/2007 McCarthy B65H 35/10
428/40.1
2008/0041524 A1* 2/2008 McCarthy B65H 18/28
156/701
2010/0038430 A1* 2/2010 Sasazaki H01L 21/67092
235/487
2012/0016328 A1 1/2012 Shi et al.
2012/0277645 A1* 11/2012 Kikuta A61F 13/0259
602/44
2013/0251944 A1* 9/2013 Kian C09J 133/10
428/141
2013/0323453 A1* 12/2013 Hirasawa B31F 1/07
428/43
2014/0173867 A1 6/2014 Strombeck et al.
2015/0353785 A1* 12/2015 Lewandowski C09J 11/08
428/355 EN
2018/0237662 A1* 8/2018 Widenbrant E04B 1/625
2020/0107535 A1* 4/2020 Hutter A01M 1/14
2020/0129014 A1* 4/2020 Mitchell A47K 10/38
2020/0352162 A1 11/2020 Karpman et al.

OTHER PUBLICATIONS

Pre-Cut Double-Sided Foam Squares, Uline.com,[Originally posted Jan. 31, 2019] [site visited Aug. 2, 2021, Seen at URL: <https://www.uline.com/Product/Detail/S-11695/Double-Sided-Tape/Pre-Cut-Double-Sided-Foam-Squares-1-32-thick-3-4-x-3-4> (Year: 2019).*
Uline Quick Lift Laser Labels, Uline.com, [Originally posted Jan. 22, 2009,[Site visited Aug. 2, 2021] Seen at URL: https://www.uline.com/BL_1265/Uline-Quick-Lift-Laser-Labels (Year: 2009).*
Karpman et al., U.S. Appl. No. 29/734,542, filed May 13, 2020, titled "Bathroom Latch Handle Antimicrobial Adhesive".
Karpman et al., U.S. Appl. No. 29/734,725, filed May 15, 2020, titled "Fridge Handle Antimicrobial Adhesive".
Karpman et al., U.S. Appl. No. 29/734,726, filed May 15, 2020, titled "D Handle Antimicrobial Adhesive".
Karpman et al., U.S. Appl. No. 29/734,727, filed May 15, 2020, titled "Paddle Handle Antimicrobial Adhesive".
Karpman et al., U.S. Appl. No. 29/734,728, filed May 15, 2020, titled "L Handle Antimicrobial Adhesive".
Karpman et al., U.S. Appl. No. 29/734,960, filed May 17, 2020, titled "Antimicrobial Adhesive Tape".
Karpman et al., U.S. Appl. No. 29/734,961, filed May 17, 2020, titled "Wide Antimicrobial Adhesive Tape".

* cited by examiner

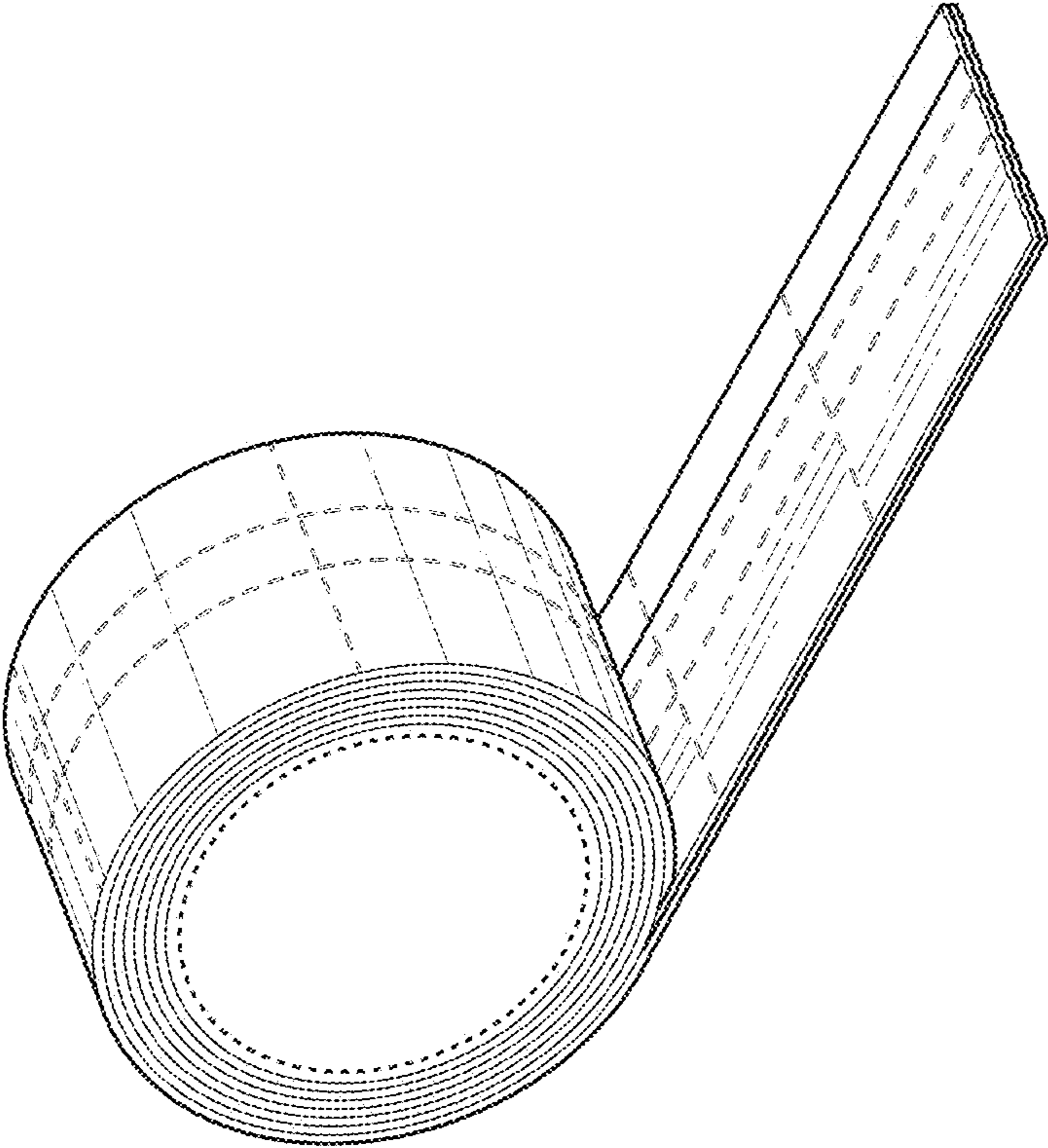


FIG. 1

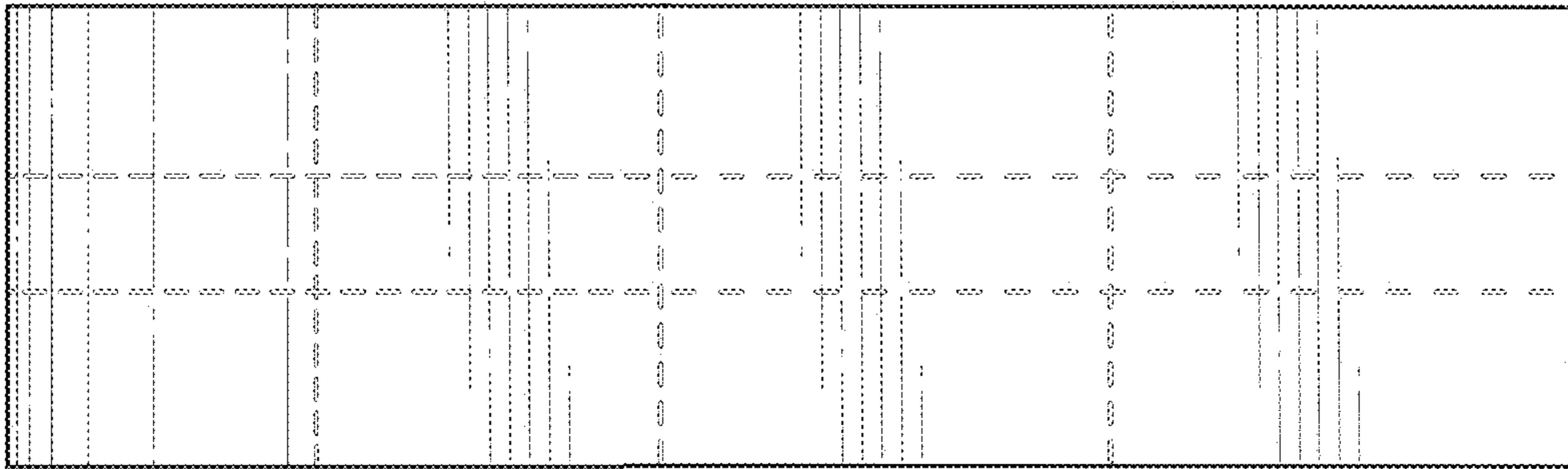


FIG. 3

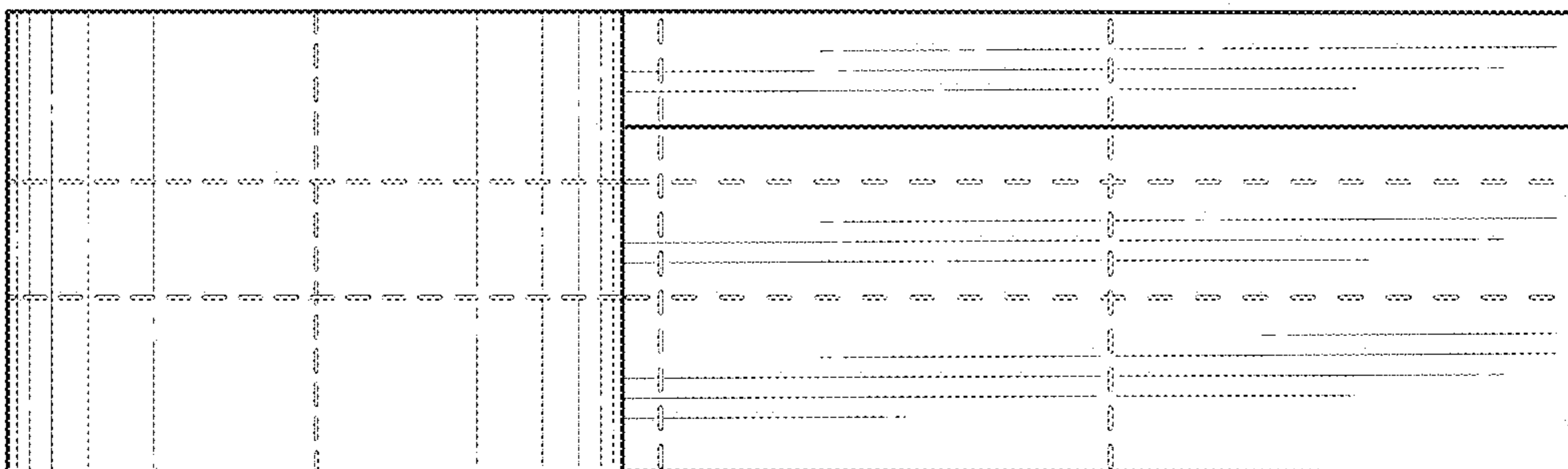


FIG. 2

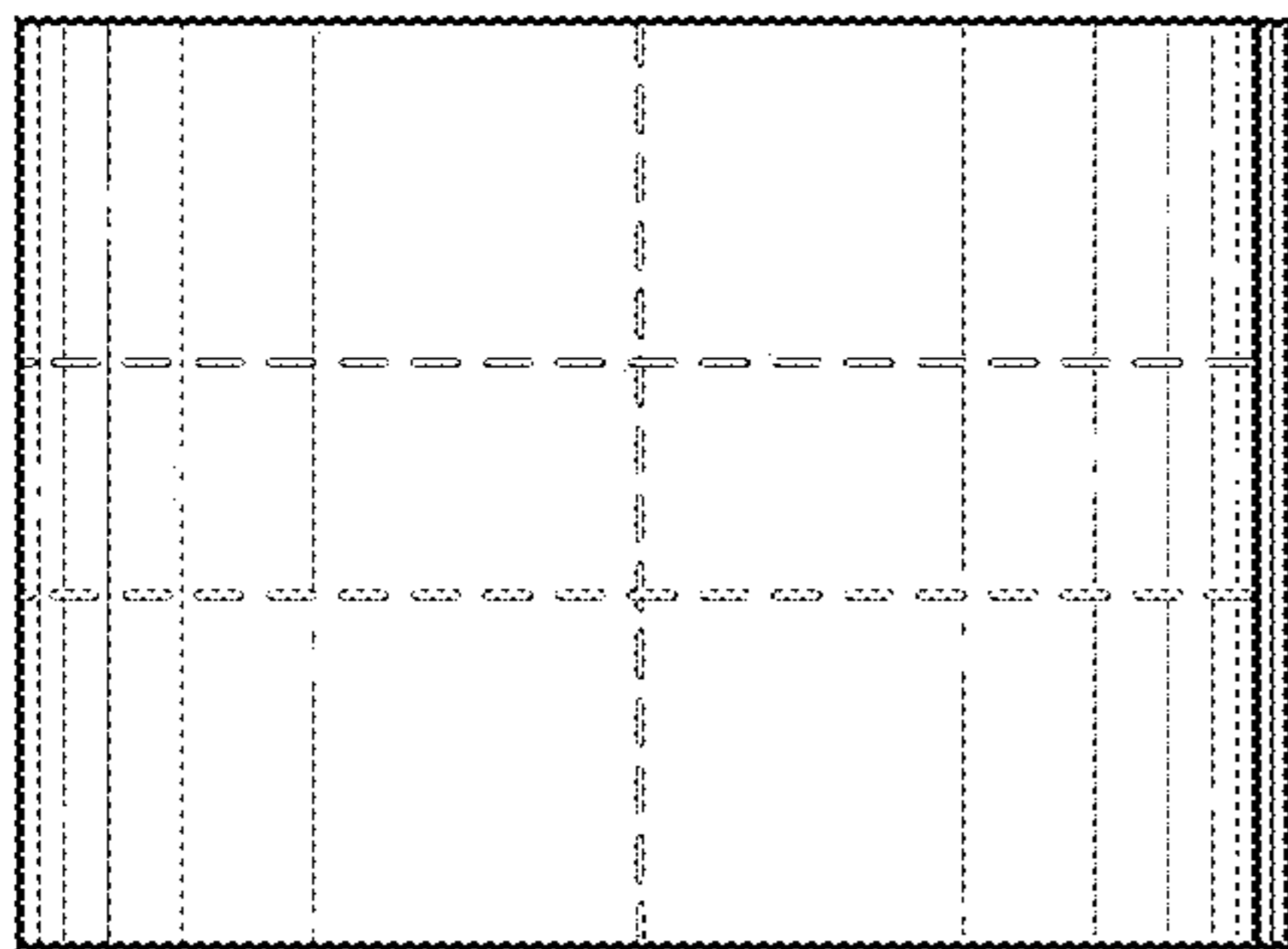


FIG. 4

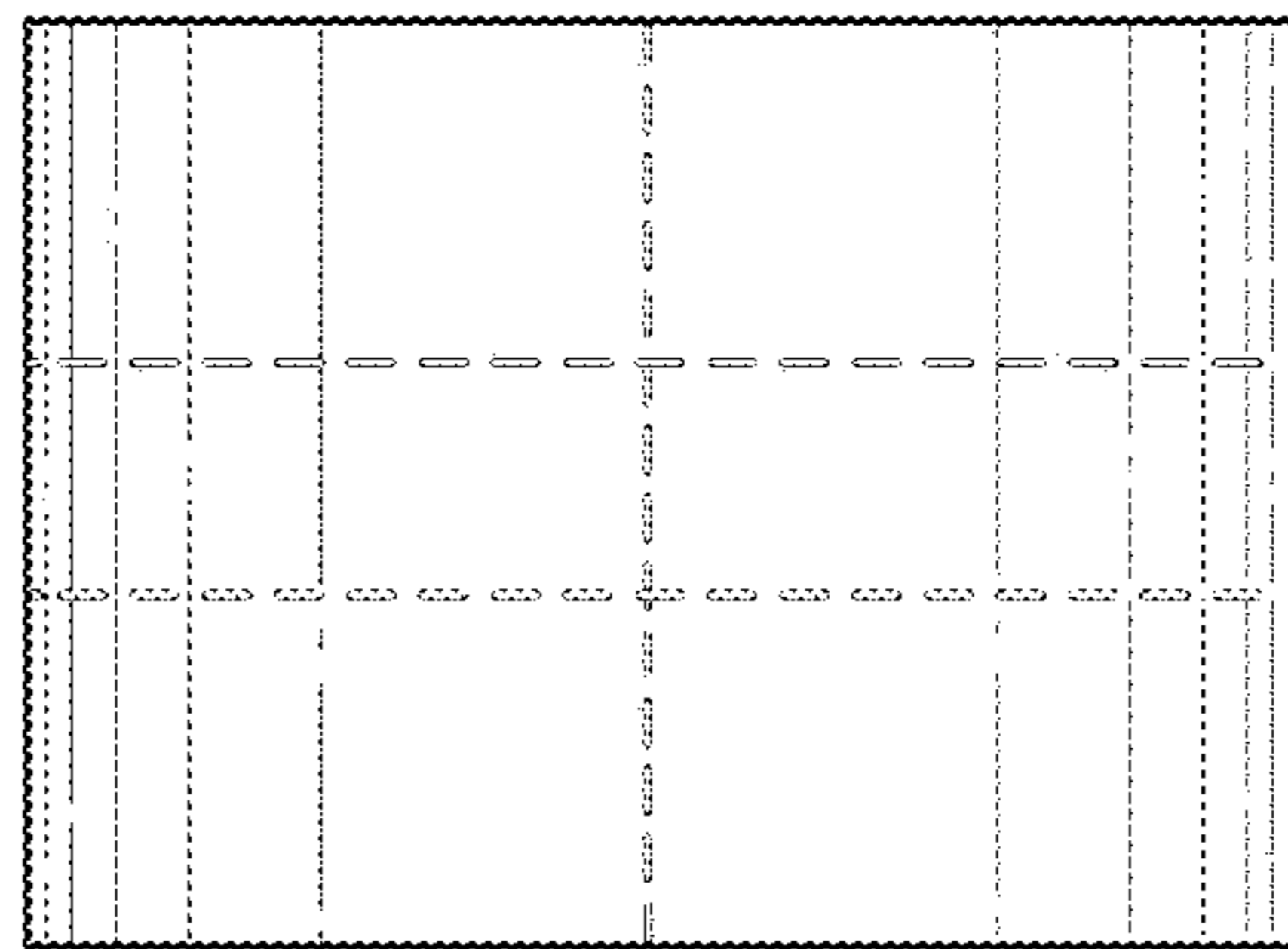


FIG. 5

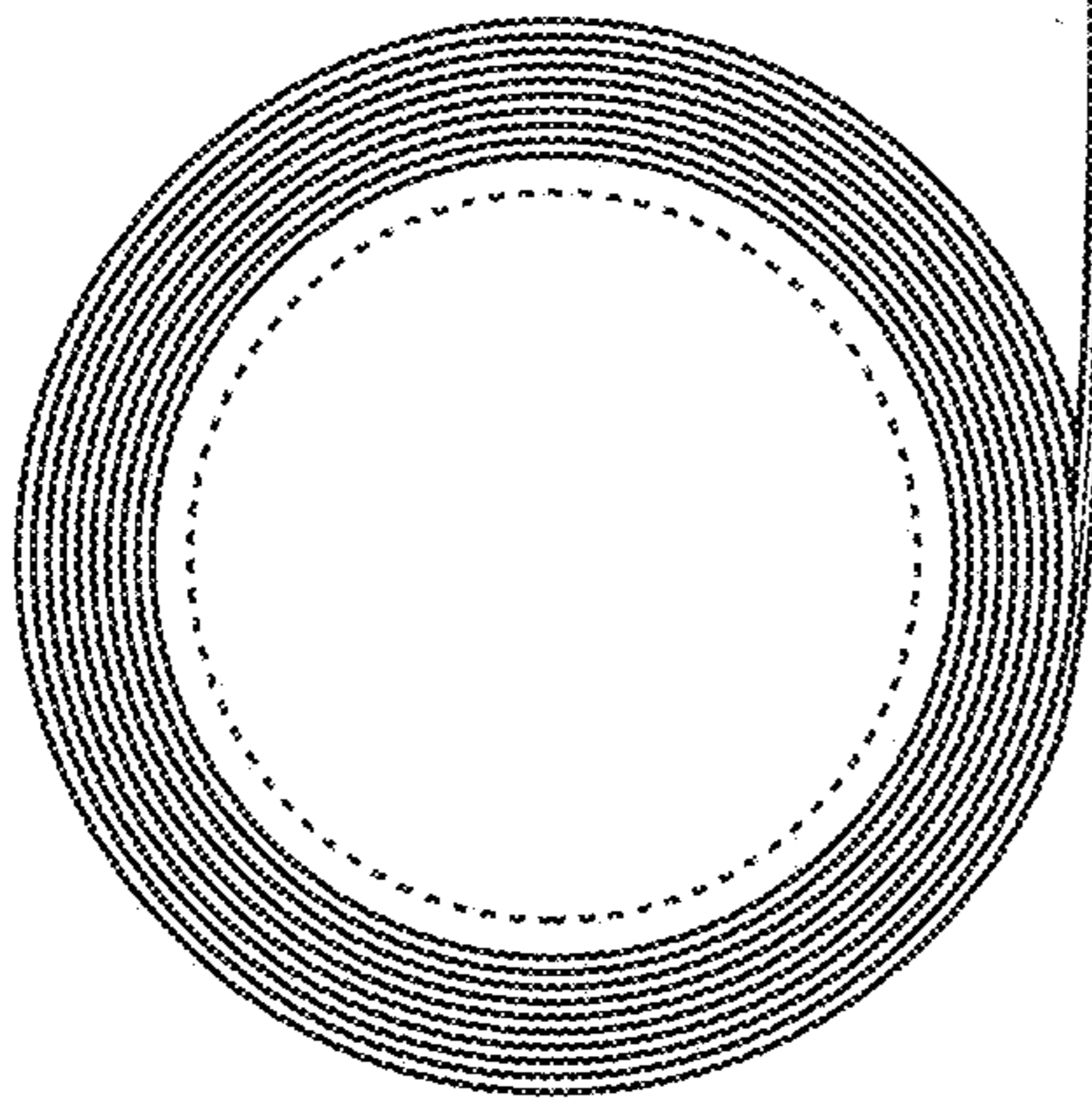


FIG. 6

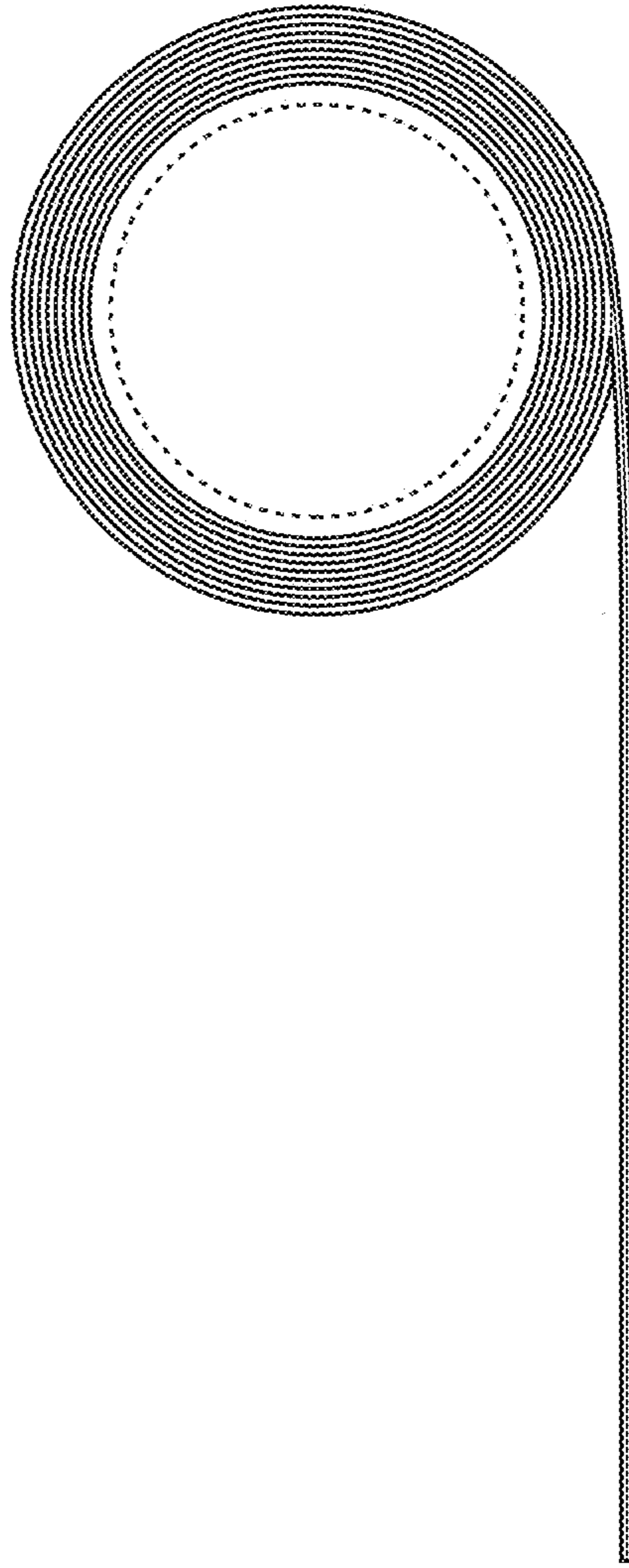


FIG. 7

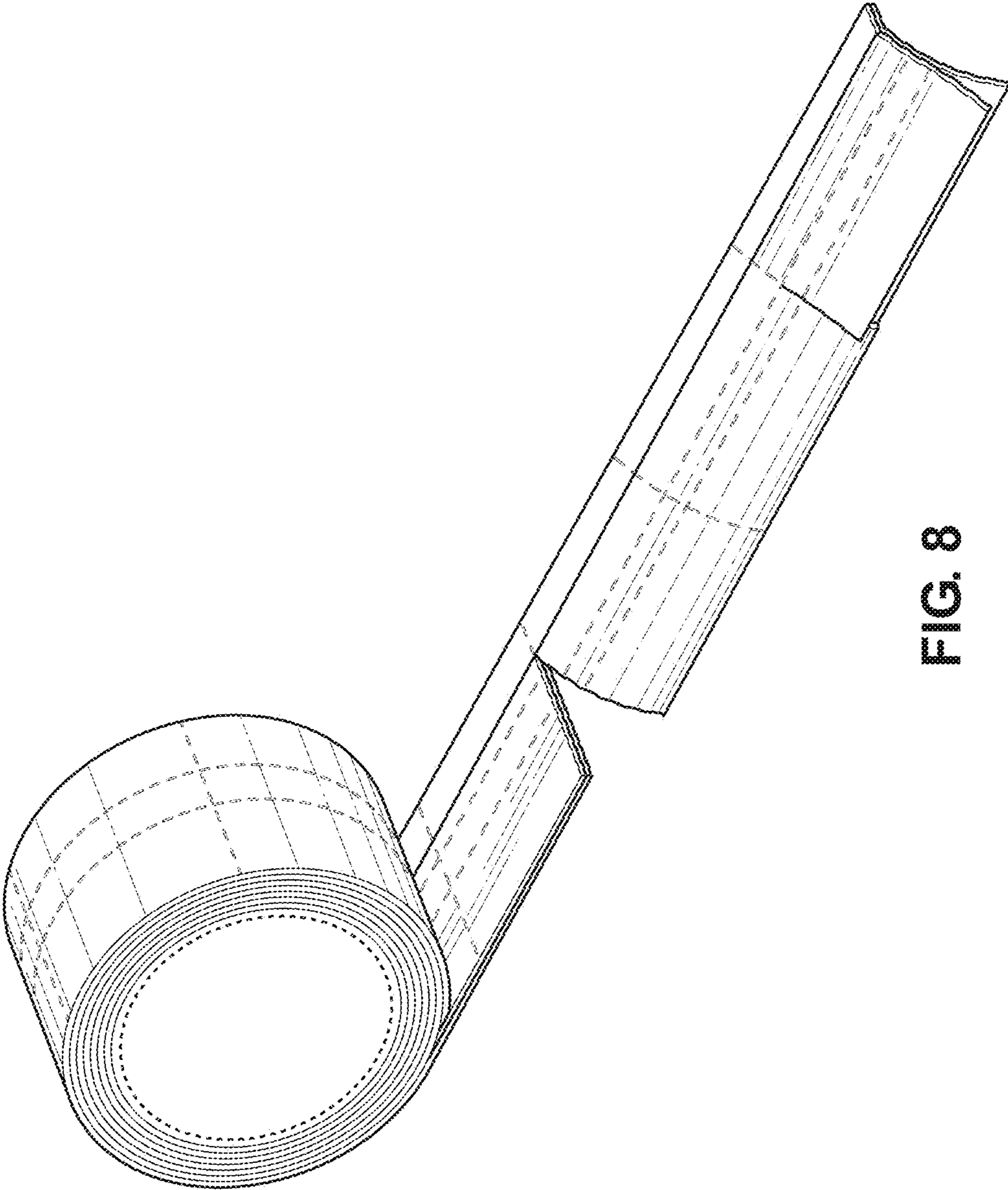


FIG. 8