



US00D959674S

(12) **United States Design Patent** (10) **Patent No.:** **US D959,674 S**
Chen et al. (45) **Date of Patent:** **** Aug. 2, 2022**

(54) **EXAMINATION SUIT**

(71) Applicant: **ANKON TECHNOLOGIES CO., LTD.**, Wuhan (CN)

(72) Inventors: **Yun Chen**, Wuhan (CN); **Shiyu Huang**, Wuhan (CN); **Pan Zhou**, Wuhan (CN)

(73) Assignee: **ANKON TECHNOLOGIES CO., LTD.**, Wuhan (CN)

(**) Term: **15 Years**

(21) Appl. No.: **29/730,292**

(22) Filed: **Apr. 2, 2020**

(30) **Foreign Application Priority Data**

Oct. 8, 2019 (CN) 201930544490.5

(51) **LOC (13) Cl.** **24-02**

(52) **U.S. Cl.**
USPC **D24/187**

(58) **Field of Classification Search**
USPC D24/190, 200, 206–208, 187; D29/100, D29/101.2; D2/853, 856, 860; D30/145, D30/151–153
CPC A61B 10/04; A61B 1/041; A61B 8/4416
See application file for complete search history.

(56) **References Cited**

U.S. PATENT DOCUMENTS

D626,245 S *	10/2010	Sagnip	D24/190
D667,128 S *	9/2012	Pierce	D24/190
D667,956 S *	9/2012	Chiang	D24/190
D885,689 S *	5/2020	Xu	D30/152
D888,977 S *	6/2020	Pankaj	D24/206
D909,590 S *	2/2021	Novak	D24/190
D912,259 S *	3/2021	Bobey	D24/200
D917,709 S *	4/2021	Perraudeau	D24/190
D918,492 S *	5/2021	Guo	D30/152

D918,493 S *	5/2021	Chang	D30/152
D927,007 S *	8/2021	Escamilla	D24/207
2010/0152823 A1 *	6/2010	Muchowicz	A61F 7/10 607/112
2021/0091451 A1 *	3/2021	Higaki	H01Q 1/2216

OTHER PUBLICATIONS

Shoulder Band and Electrodes. Online, published date unknown. Retrieved on Aug. 24, 2021 from URL: <https://xbodyworld.com/xbody-accessories/>.*

* cited by examiner

Primary Examiner — Omeed Agilee

(74) Attorney, Agent, or Firm — Treasure IP Group, LLC

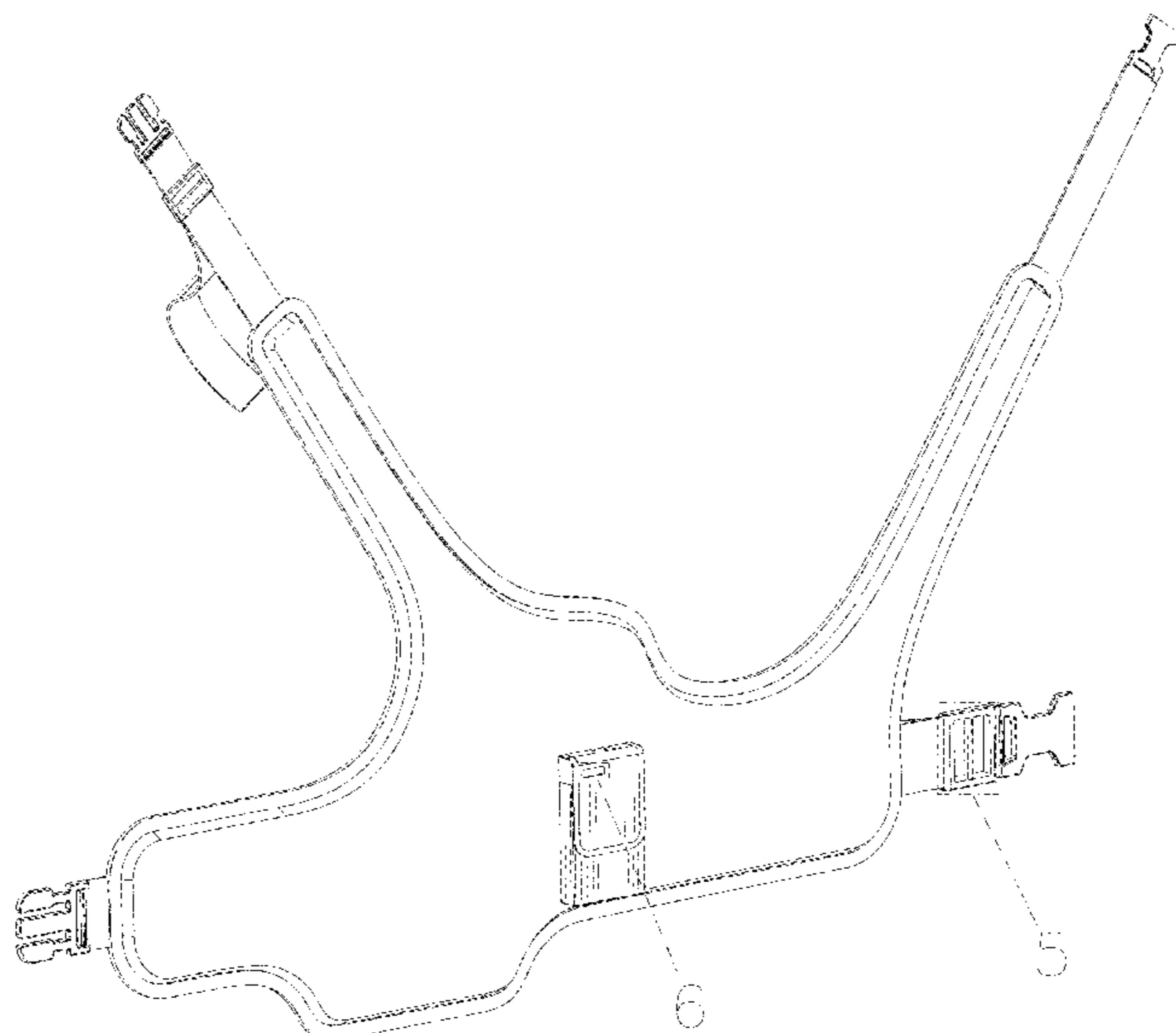
(57) **CLAIM**

The ornamental design for an examination suit, as shown and described.

DESCRIPTION

FIG. 1 is a front view of an examination suit showing our new design;
FIG. 2 is a rear perspective view thereof;
FIG. 3 is a rear view thereof;
FIG. 4 is a rear perspective view thereof, wherein the belt of the examination suit is in a stretched configuration and the examination suit is in a closed configuration;
FIG. 5 is a rear enlarged perspective view of area 5 shown in FIG. 2;
FIG. 6 is a rear enlarged perspective view of area 6 shown in FIG. 2; and,
FIG. 7 is a rear enlarged perspective view of area 7 shown in FIG. 4.
The broken lines depict portions of the examination suit that form no part of the claimed design. The dot-dash lines in the drawings depict the boundaries of the enlarged views that form no part of the claimed design.

1 Claim, 7 Drawing Sheets



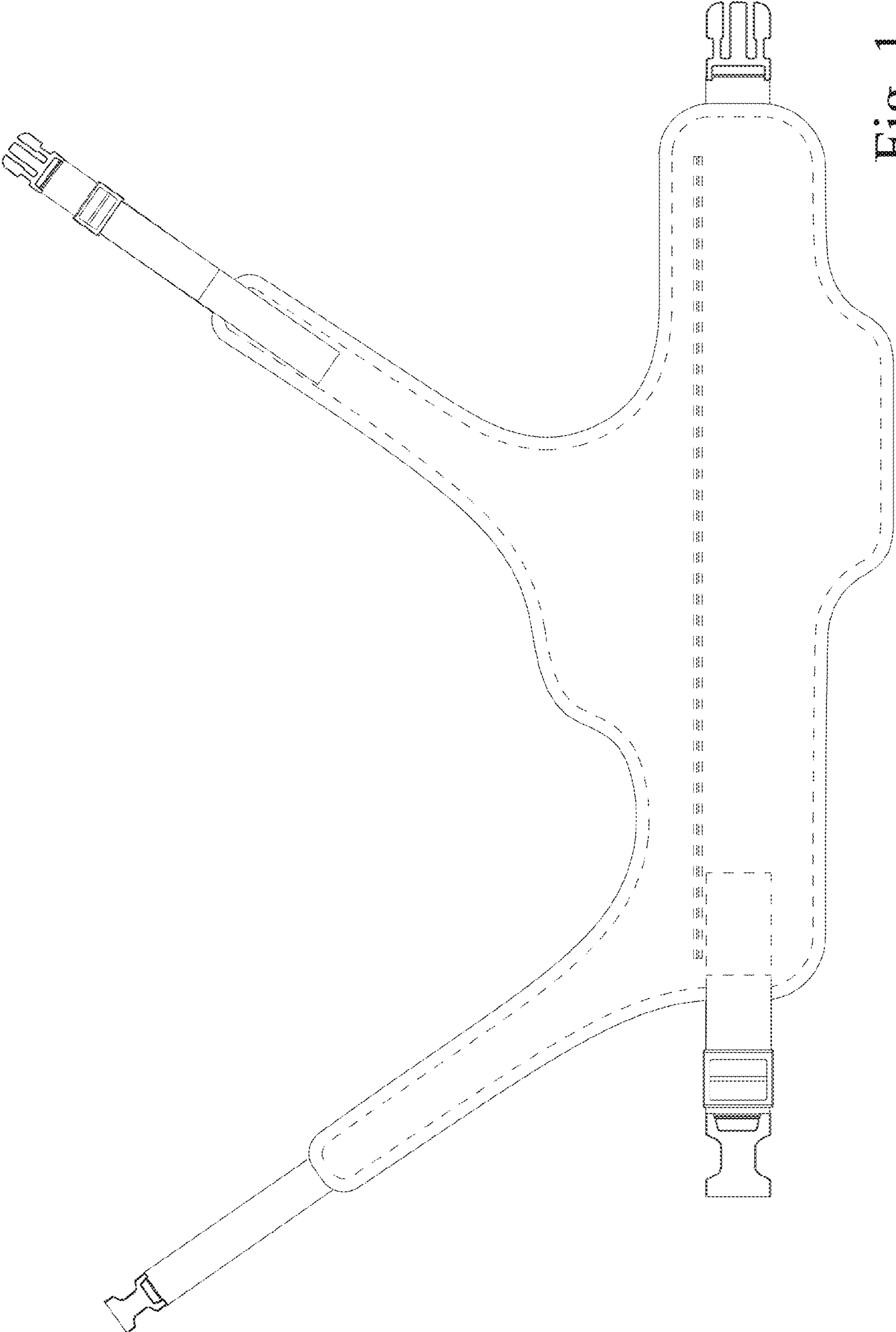


Fig. 1

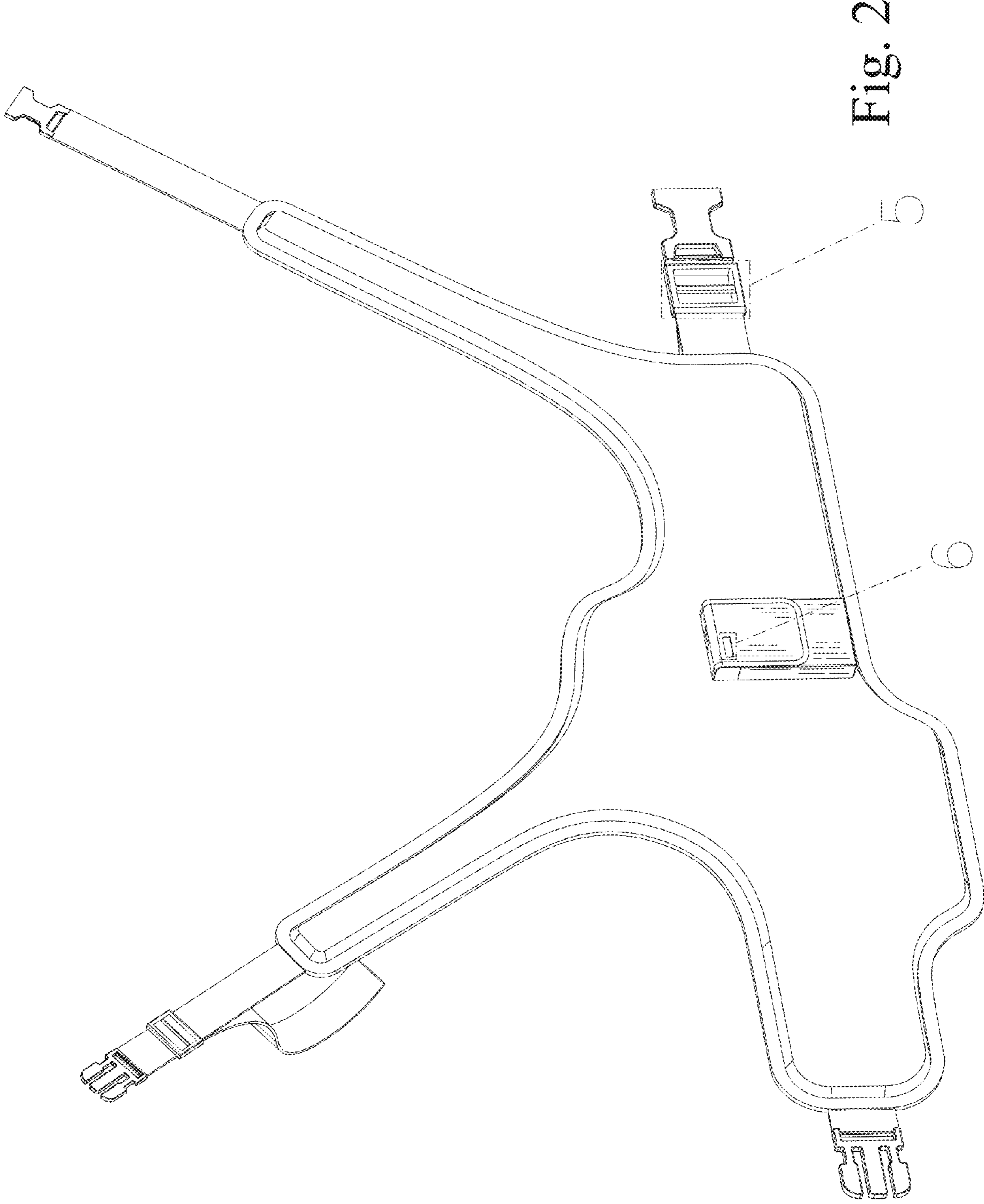


Fig. 2

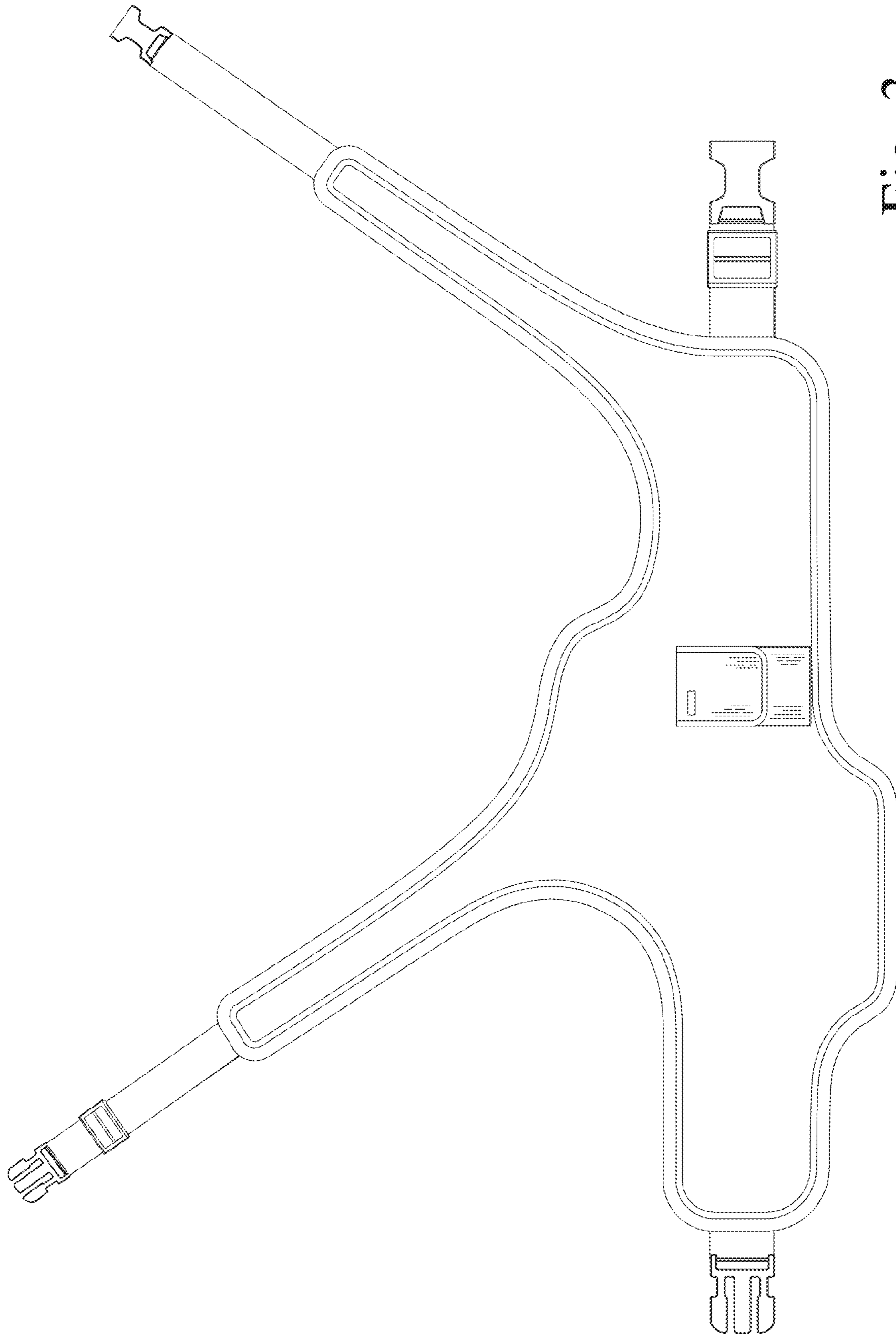


Fig. 3

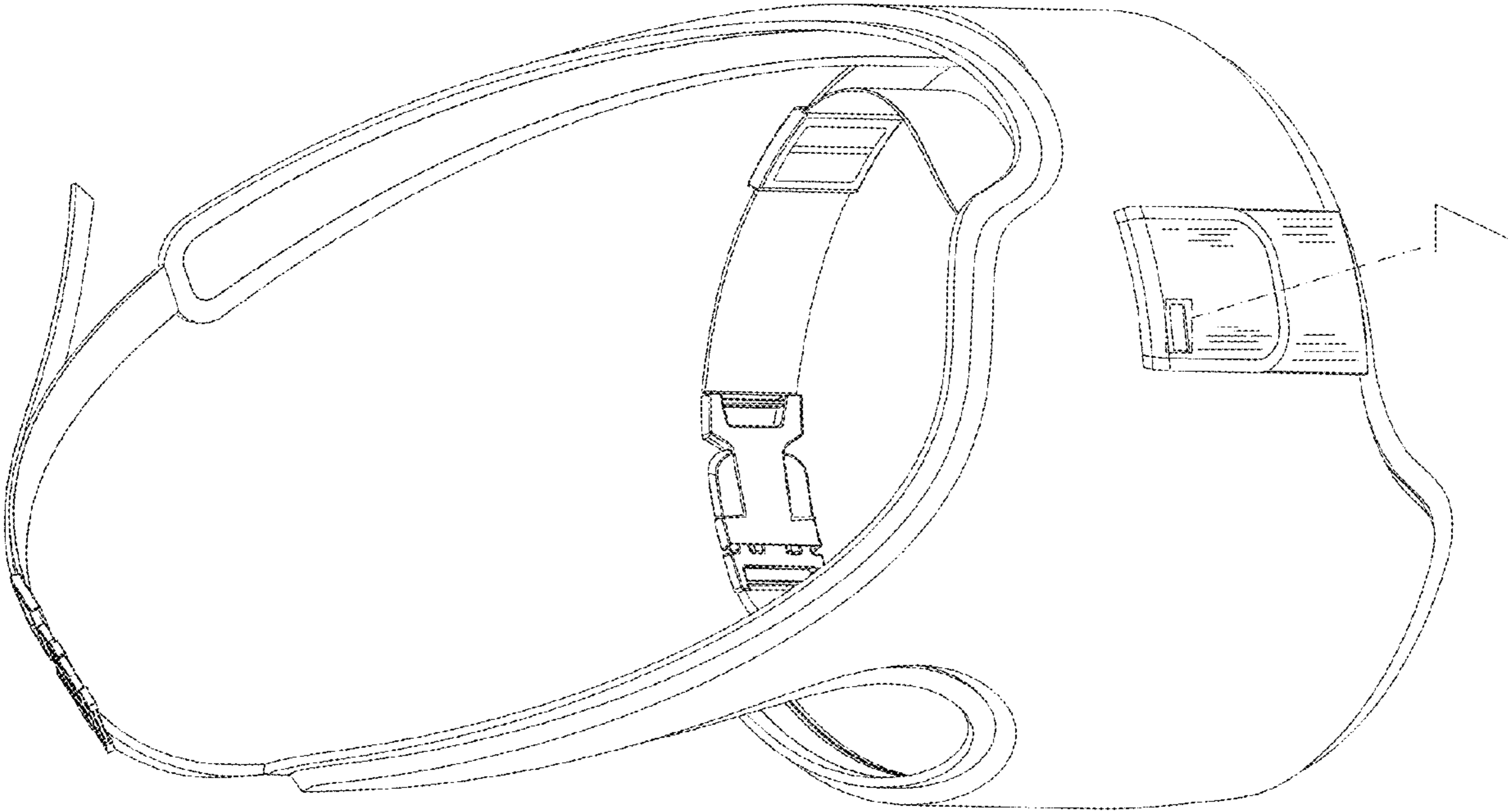


Fig. 4

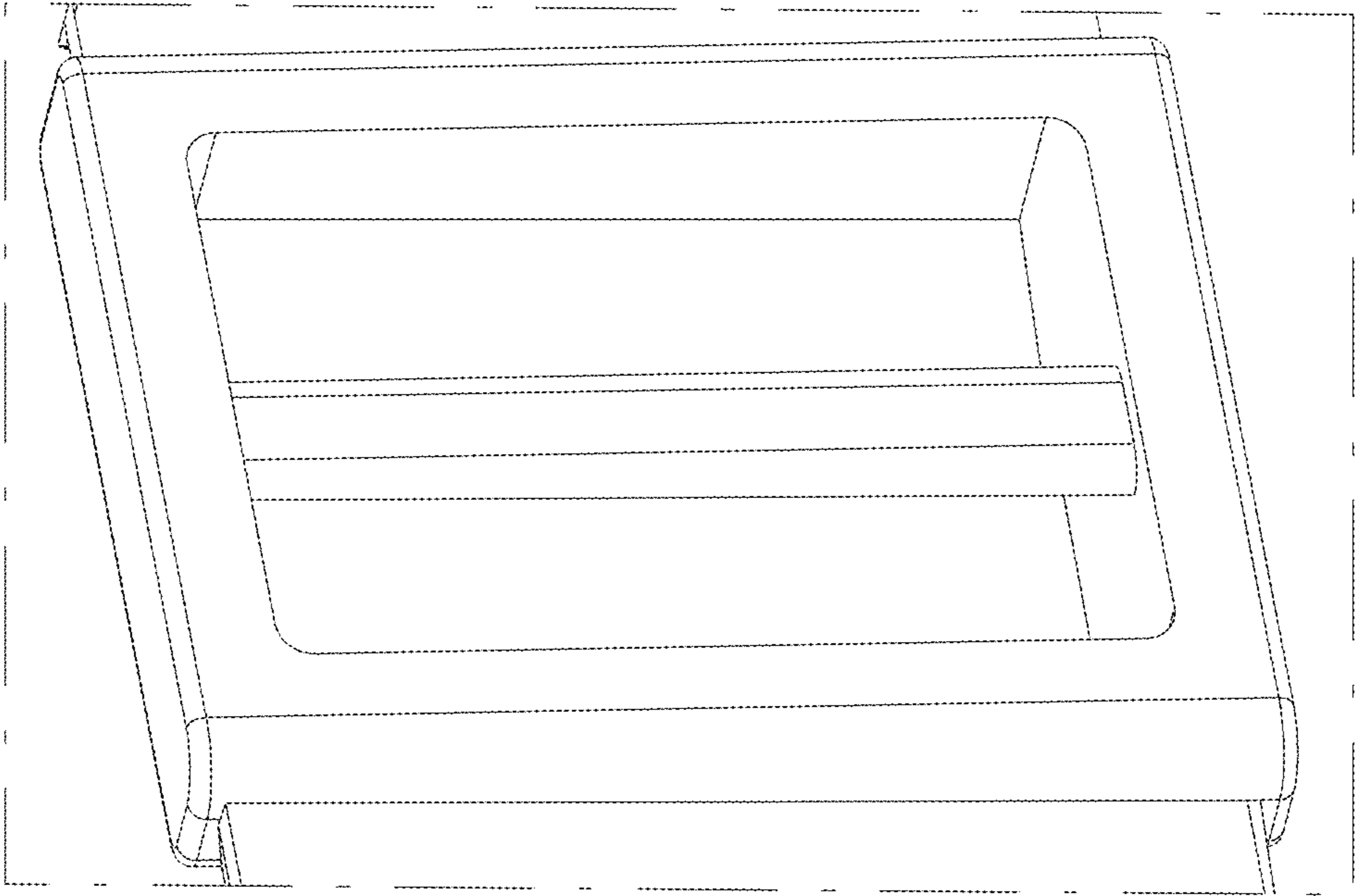


Fig. 5



Fig. 6

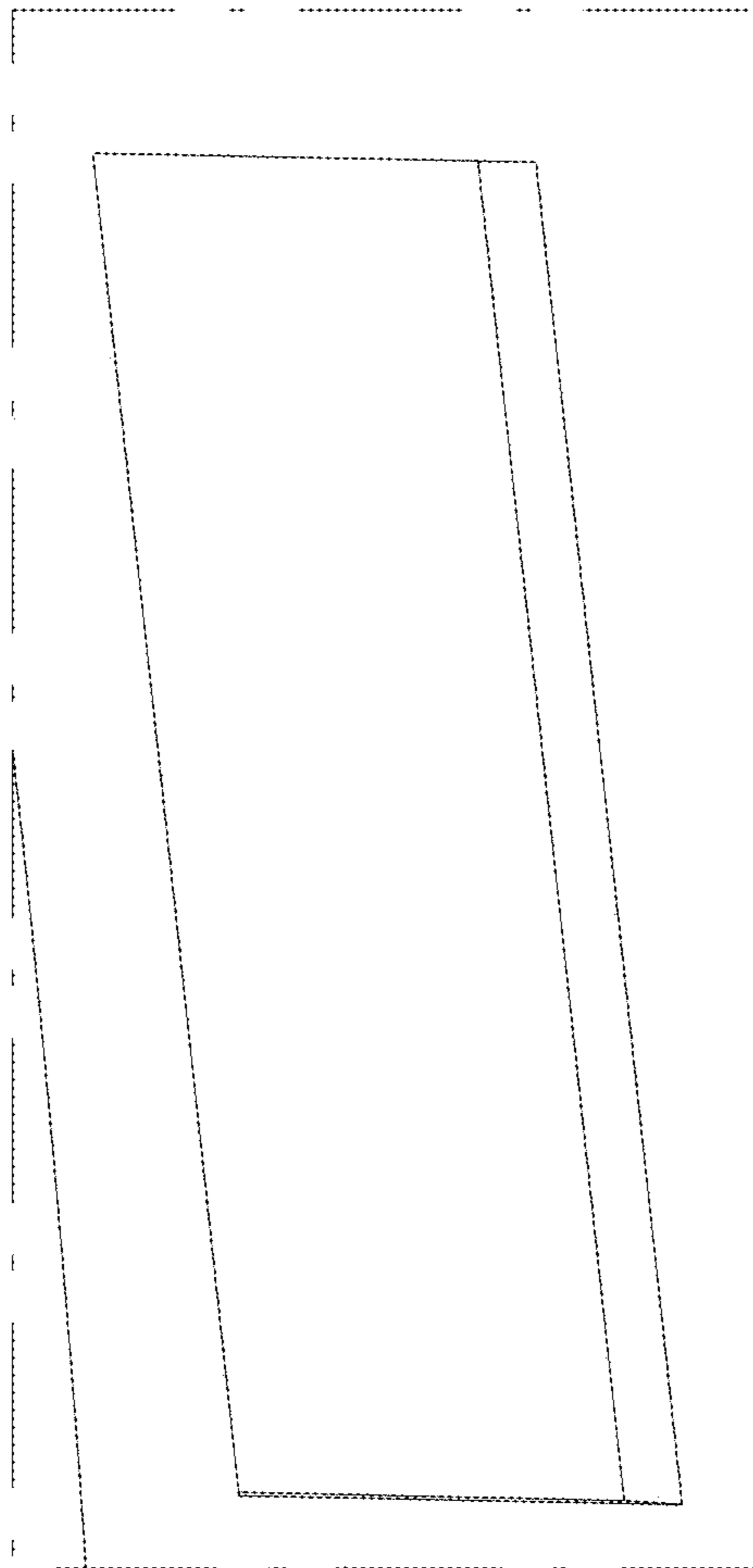


Fig. 7