



US00D959672S

(12) **United States Design Patent** (10) **Patent No.:** **US D959,672 S**
Bartlett (45) **Date of Patent:** **** Aug. 2, 2022**

(54) **SHIELD**
(71) Applicant: **The United States Government as Represented by the Department of Veterans Affairs, Washington, DC (US)**
(72) Inventor: **Cassidy Rae Bartlett, Charlotte, NC (US)**
(73) Assignee: **United States Government as represented by the Department of Veterans Affairs, Washington, DC (US)**

D629,109 S * 12/2010 Phillips D24/158
D660,521 S * 5/2012 Juhlin D29/122
D661,841 S * 6/2012 Klotz D29/109
D717,020 S * 11/2014 Hernon D2/861
D781,507 S * 3/2017 Huh D29/122
D810,943 S * 2/2018 Ballsieper D24/158
D866,128 S * 11/2019 McCann D2/891
D869,660 S * 12/2019 Samaan D24/184
D901,088 S * 11/2020 Berggren D29/122
D936,909 S * 11/2021 Jefferis D29/122
D938,048 S * 12/2021 Cassit D24/190
D942,017 S * 1/2022 Ahearn D24/184

(**) Term: **15 Years**
(21) Appl. No.: **29/765,674**
(22) Filed: **Jan. 11, 2021**
(51) **LOC (13) Cl.** **24-02**
(52) **U.S. Cl.**
USPC **D24/184**
(58) **Field of Classification Search**
USPC D24/107, 158–161, 184, 185, 186, 187,
D24/231–234; D29/100, 101.1, 110;
D2/860, 861, 872–874
CPC A61B 6/107; A61B 6/4411; G21F 3/00;
G21F 3/02; G21Y 2004/30; A61N
2005/1094
See application file for complete search history.

FOREIGN PATENT DOCUMENTS

KR 3020180016879 * 1/2019
* cited by examiner

Primary Examiner — Omeed Agilee
(74) *Attorney, Agent, or Firm* — Ballard Spahr LLP

(57) **CLAIM**

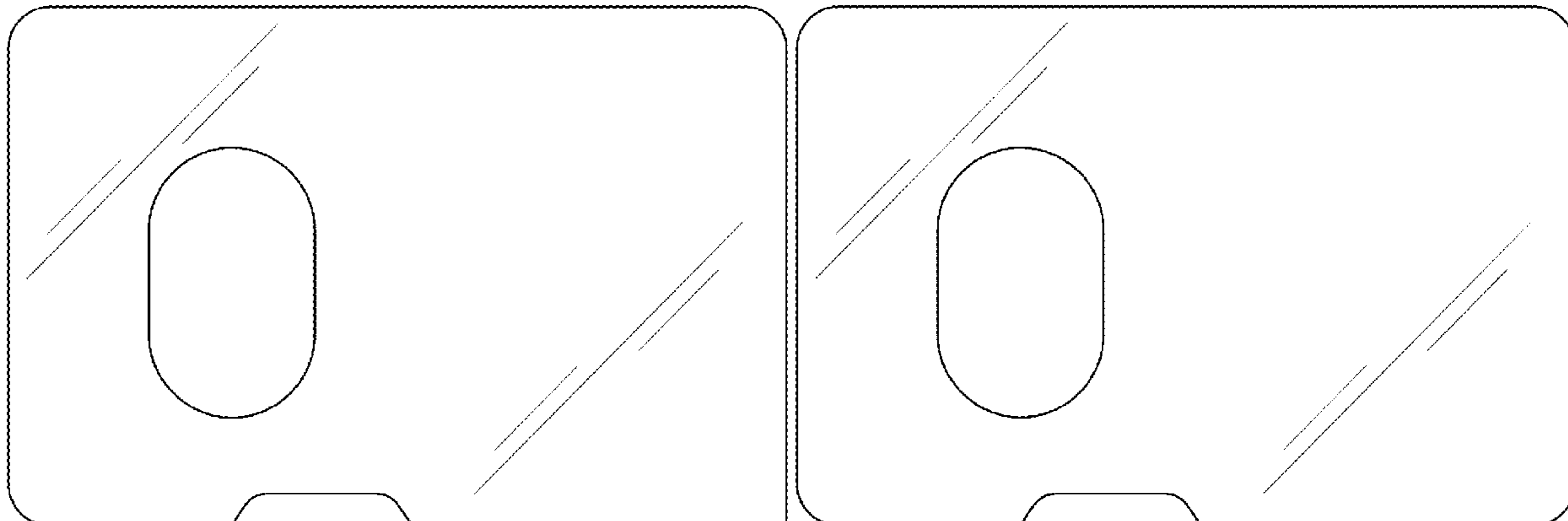
I claim the ornamental design for a shield, as shown and described.

DESCRIPTION

FIG. 1 is a front view of the first embodiment of a shield showing my new design;
FIG. 2 is a rear view thereof;
FIG. 3 is a left side view thereof;
FIG. 4 is a right side view thereof;
FIG. 5 is a top view thereof;
FIG. 6 is a bottom view thereof;
FIG. 7 is a front view of the second embodiment of the shield;
FIG. 8 is a rear view thereof;
FIG. 9 is a right side view thereof;
FIG. 10 is a left side view thereof;
FIG. 11 is a top view thereof; and,
FIG. 12 is a bottom view thereof.

(56) **References Cited**
U.S. PATENT DOCUMENTS
3,344,445 A 10/1967 Crawford
D249,278 S * 9/1978 Milligan D24/158
4,370,765 A 2/1983 Webber
5,044,025 A 9/1991 Hunsinger et al.
5,421,046 A 6/1995 Vande Streek
5,481,772 A 1/1996 Glynn et al.
D411,933 S * 7/1999 Bernstein 5/735
6,629,326 B2 10/2003 Rabe
D622,399 S * 8/2010 Veon D12/128

1 Claim, 4 Drawing Sheets



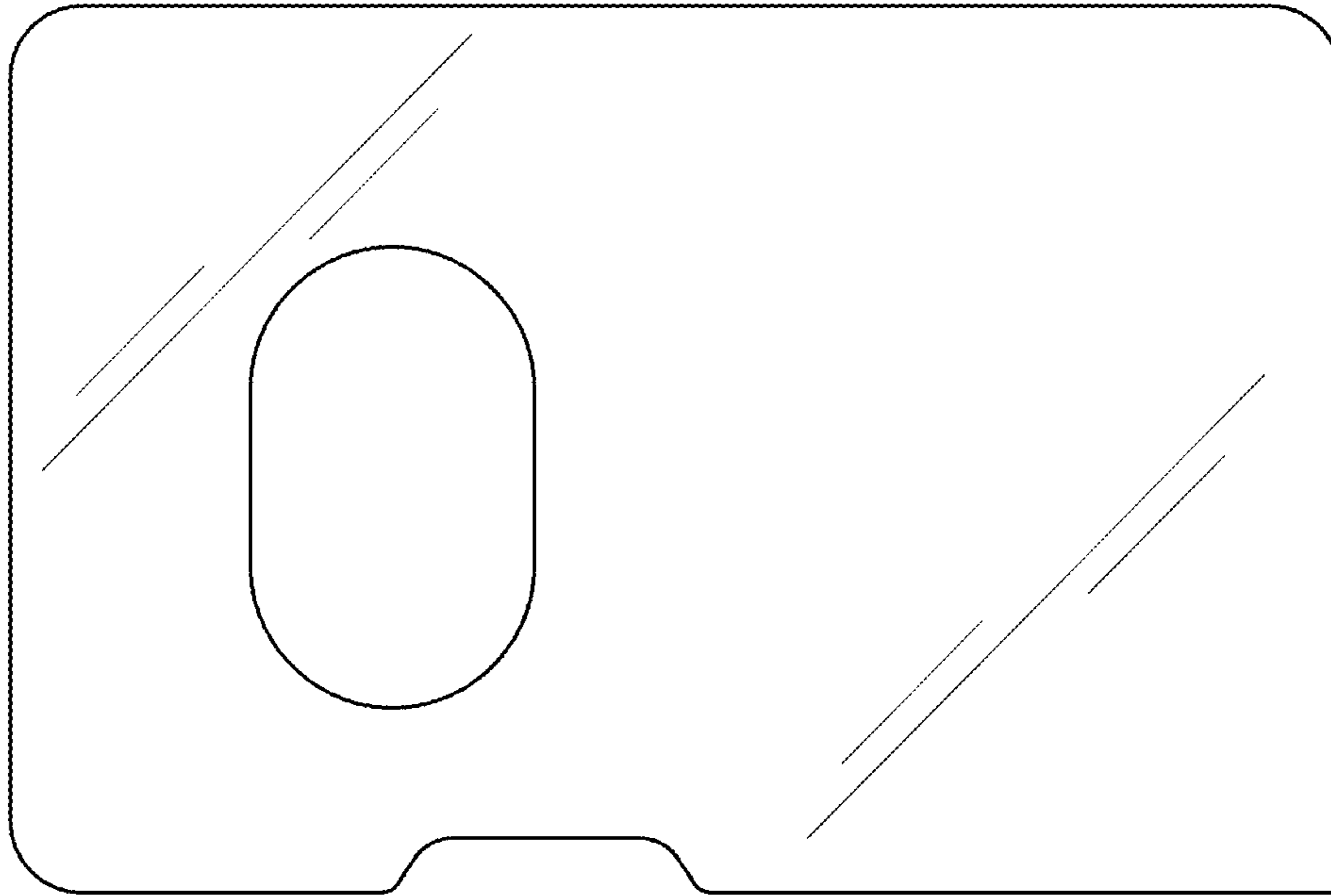


FIG. 1

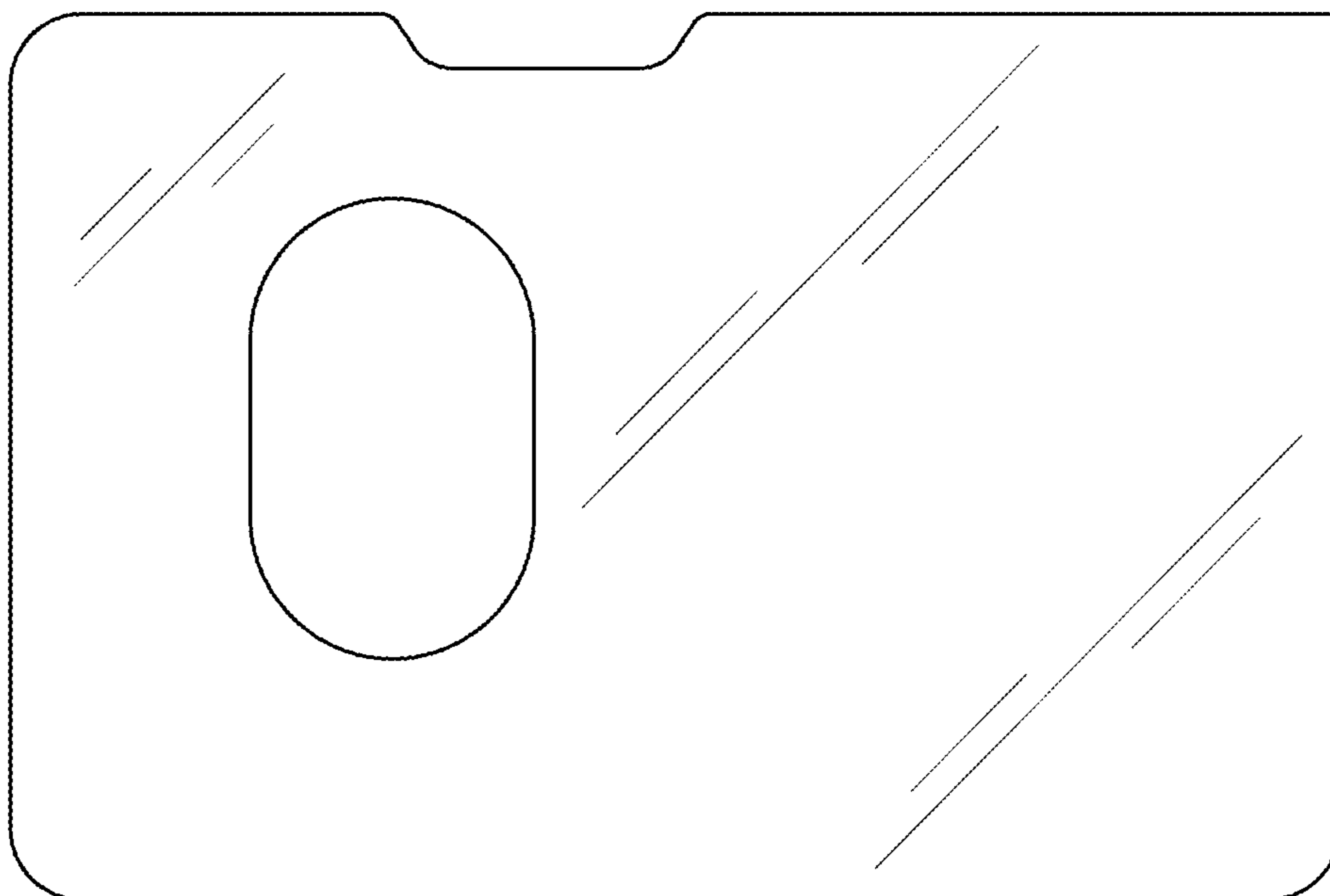


FIG. 2



FIG. 3



FIG. 4

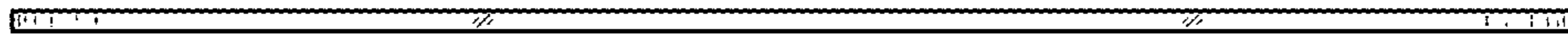


FIG. 5

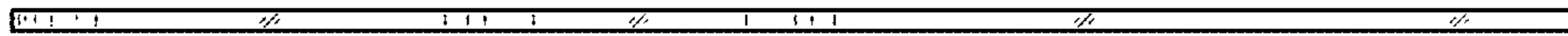


FIG. 6

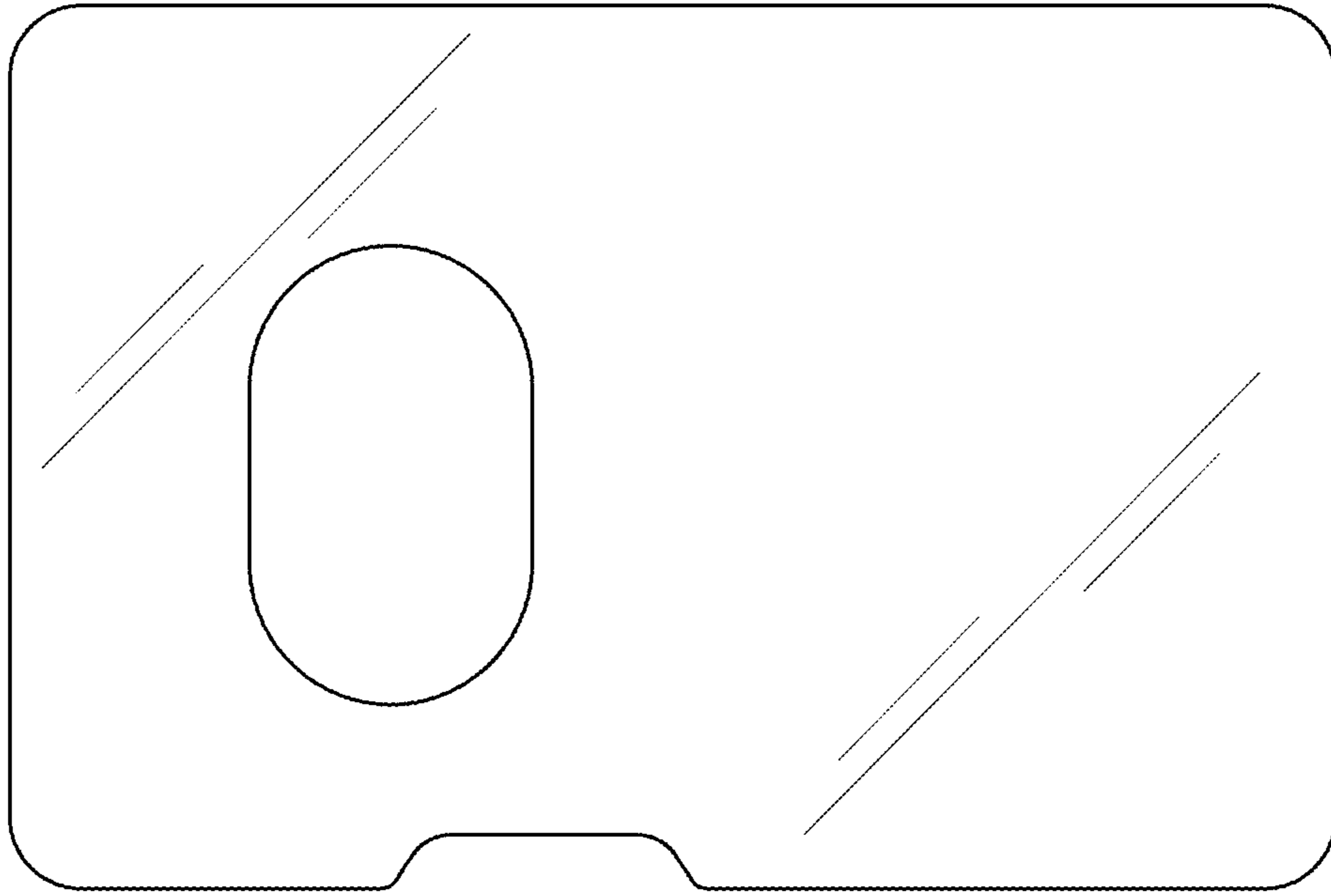


FIG. 7

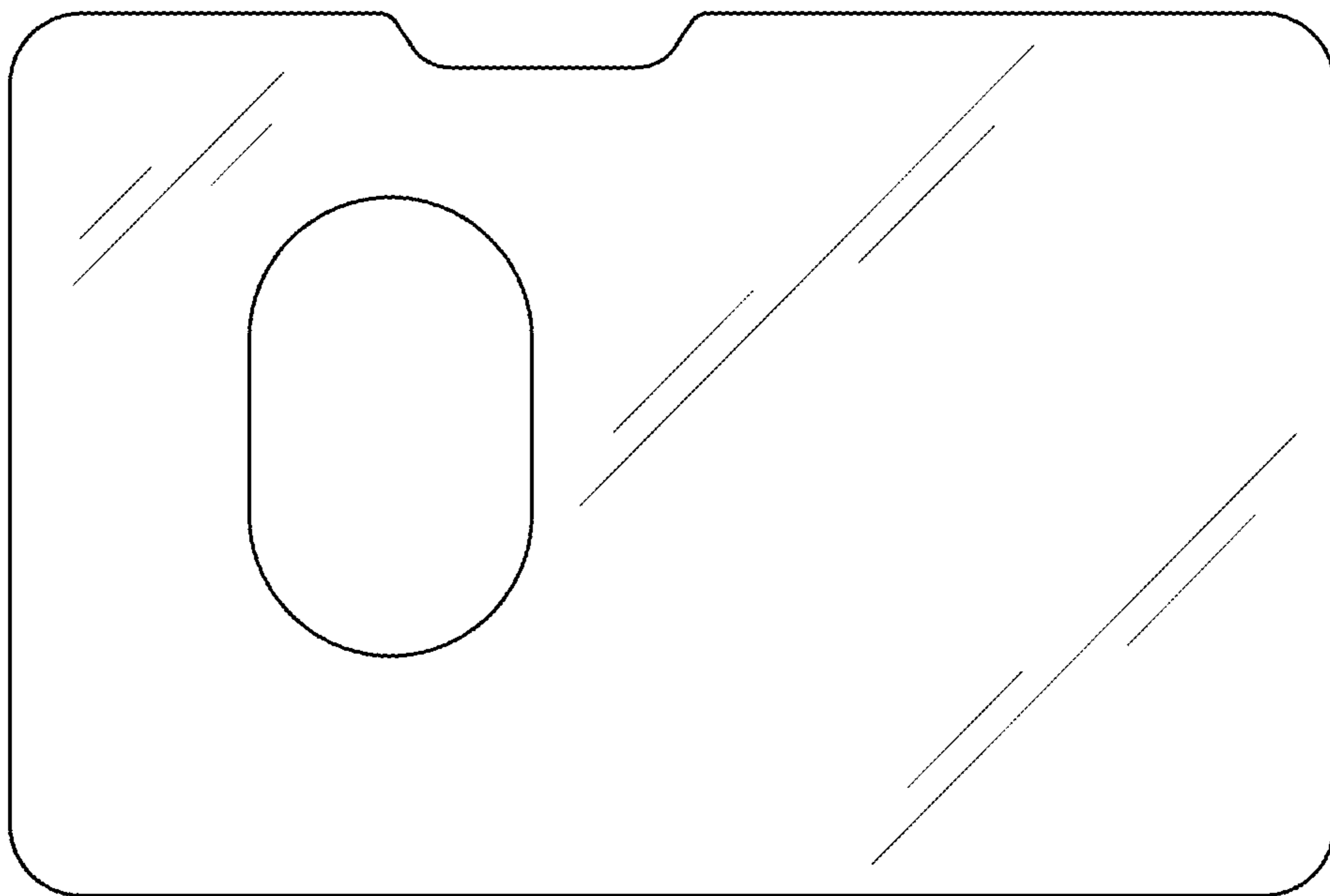


FIG. 8



FIG. 9



FIG. 10



FIG. 11

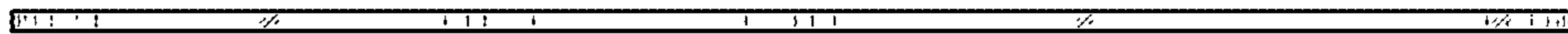


FIG. 12