



US00D959671S

(12) **United States Design Patent** (10) **Patent No.:** **US D959,671 S**
Xu (45) **Date of Patent:** **** Aug. 2, 2022**

(54) **POSITIONING BED PAD**

(71) Applicant: **Zhiyong Xu**, Putian (CN)

(72) Inventor: **Zhiyong Xu**, Putian (CN)

(**) Term: **15 Years**

(21) Appl. No.: **29/738,012**

(22) Filed: **Jun. 14, 2020**

(51) **LOC (13) Cl.** **24-02**

(52) **U.S. Cl.**
USPC **D24/183**

(58) **Field of Classification Search**
USPC D24/178, 183–185, 188, 190, 193, 202,
D24/215; D21/686–690, 694, 695;
D6/595, 596, 604–606
CPC A47C 7/021; A61H 1/0218; A61G 7/1026
See application file for complete search history.

(56) **References Cited**

U.S. PATENT DOCUMENTS

D622,399 S *	8/2010	Veon	D24/183
8,850,634 B2 *	10/2014	Ponsi	A61G 7/001
				5/81.1 R
9,132,052 B2 *	9/2015	Fowler	A61G 5/10
9,414,977 B2 *	8/2016	Ponsi	A61G 7/10
9,693,920 B2 *	7/2017	Fowler	A61G 7/1073
10,729,605 B1 *	8/2020	Chinake	A61G 7/001
10,772,778 B2 *	9/2020	Hahn	A61G 7/05715
10,925,790 B2 *	2/2021	Rodzewicz	A61G 7/1023
D927,698 S *	8/2021	Rodzewicz	D24/183
2009/0183309 A1	7/2009	Stinson		

2012/0186587 A1	7/2012	Steffens et al.	
2016/0367422 A1 *	12/2016	Weedling A61G 7/1021
2016/0374883 A1 *	12/2016	Galbraith A61G 7/1051
			5/81.1 T
2018/0311097 A1 *	11/2018	Rodzewicz A61G 7/1025
2019/0060147 A1 *	2/2019	Montgomery D03D 1/0017
2019/0091084 A1 *	3/2019	Messerschmidt A61G 7/1026
2019/0091085 A1 *	3/2019	Emerson A61G 1/003

OTHER PUBLICATIONS

ZHEEYI Multipurpose 48"x40" Positioning Bed Pad, ZHEEYI Store, Product first available Dec. 1, 2018, https://www.amazon.com/Multipurpose-Positioning-Reinforced-Handles-ZHEEYI/dp/B07L2B5H1G/ref=psdc_3775521_t1_B095X63FP4 (Year: 2018).*

* cited by examiner

Primary Examiner — Jennifer L Rempfer

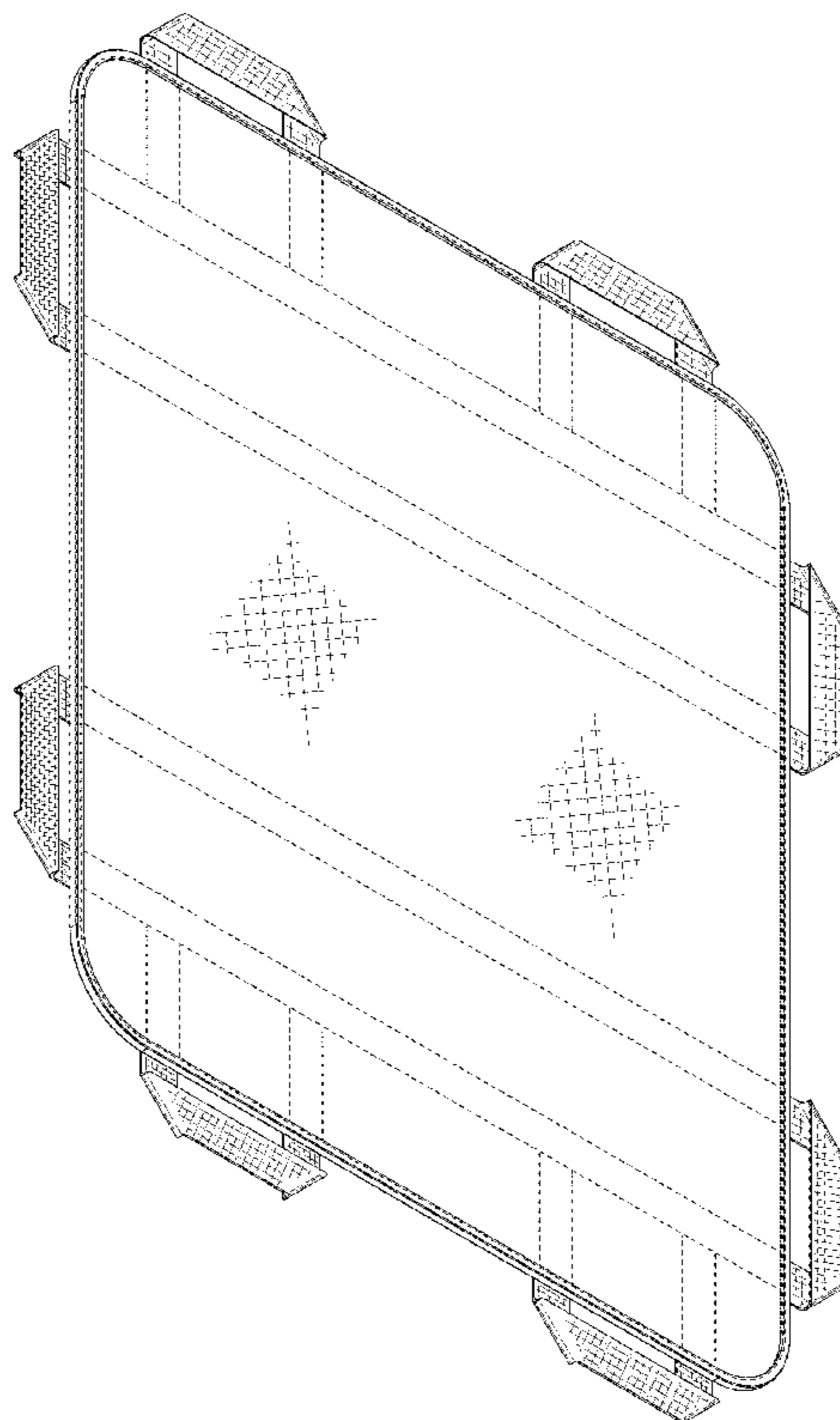
(57) **CLAIM**

The ornamental design for a positioning bed pad, as shown and described.

DESCRIPTION

FIG. 1 is a front perspective view of a positioning bed pad showing my new design;
FIG. 2 is a rear perspective view thereof;
FIG. 3 is a front elevational view thereof; and,
FIG. 4 is a rear elevational view thereof.
The broken lines in the figures represent stitching that forms part of the claimed design.

1 Claim, 4 Drawing Sheets



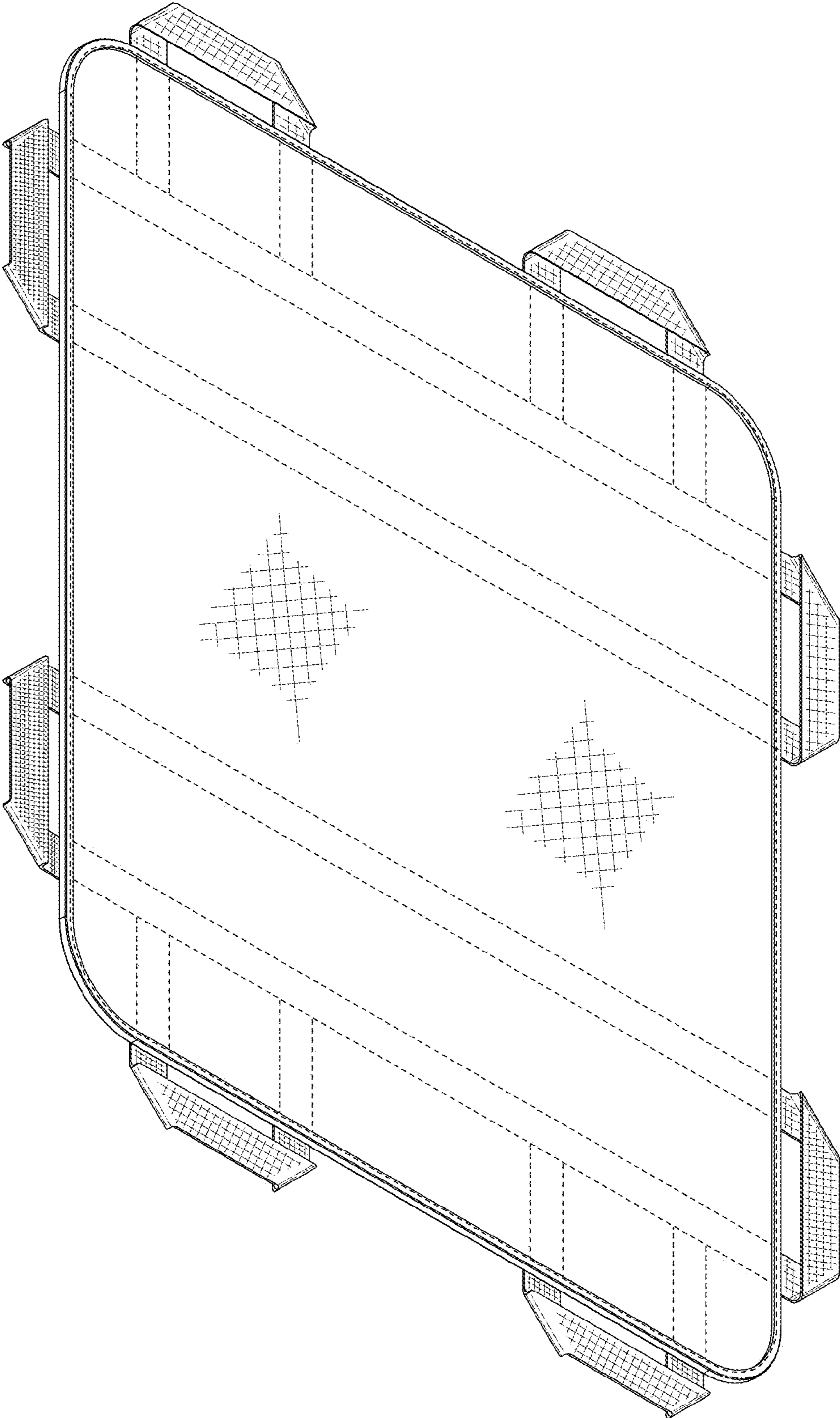


FIG. 1

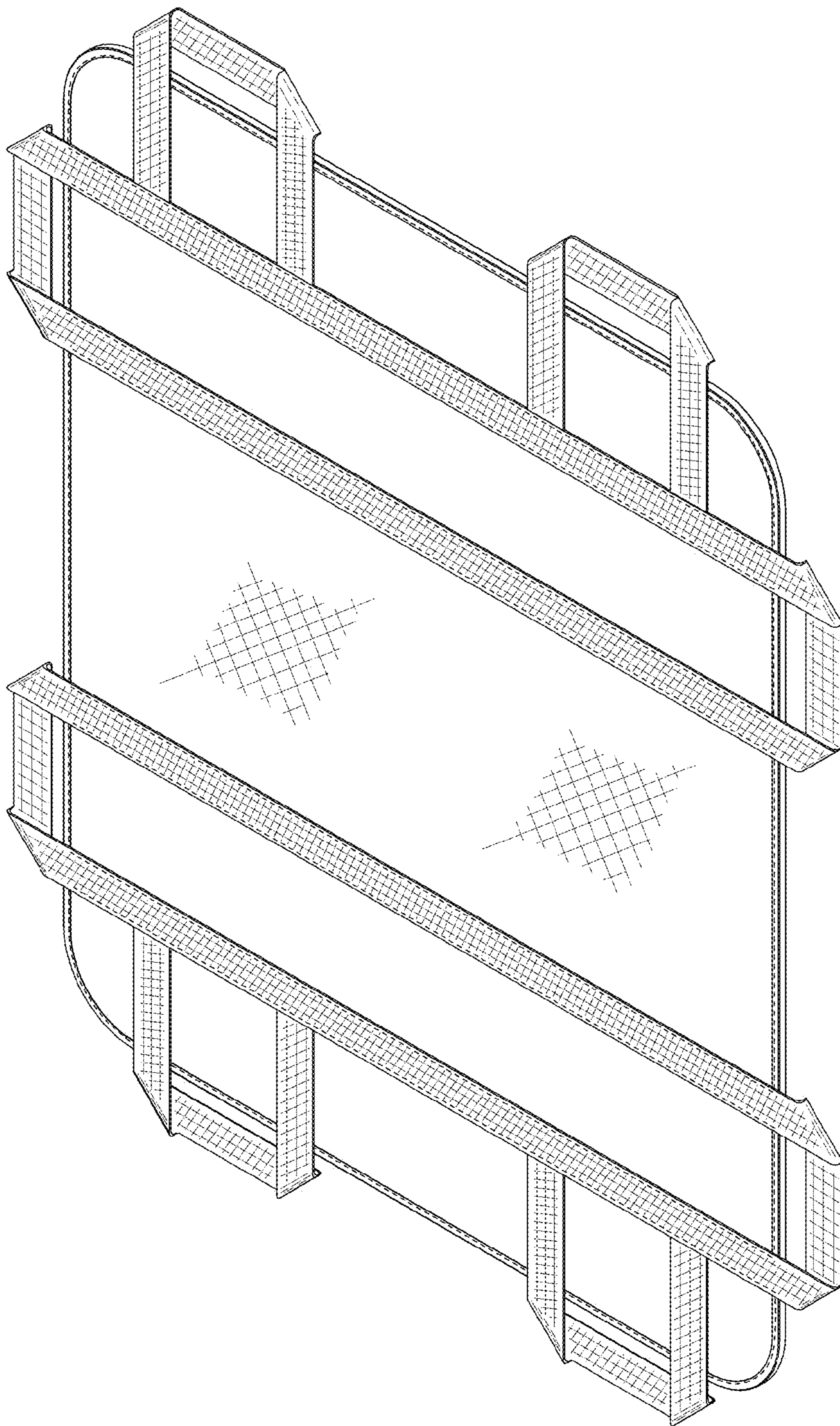


FIG. 2

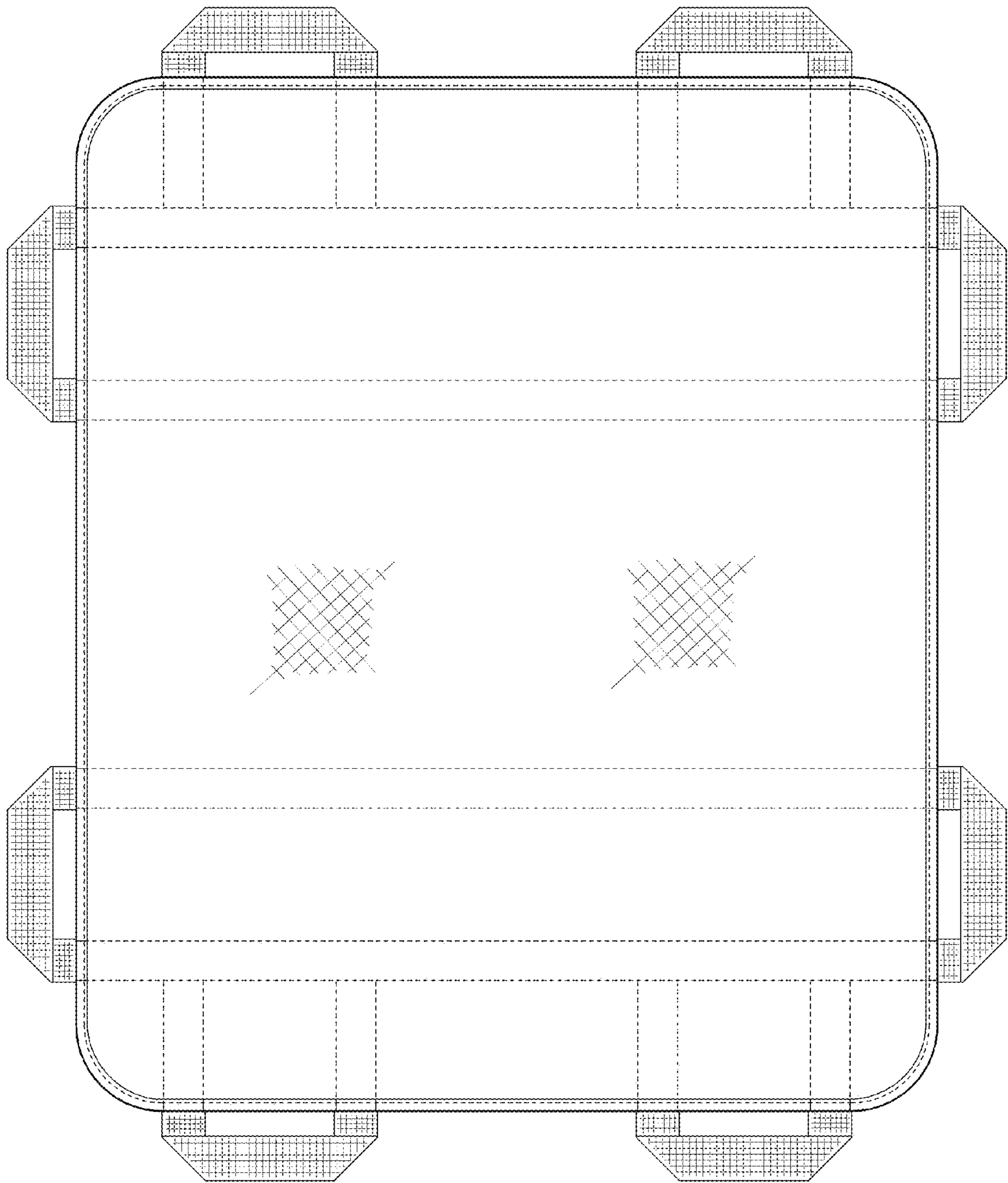


FIG. 3

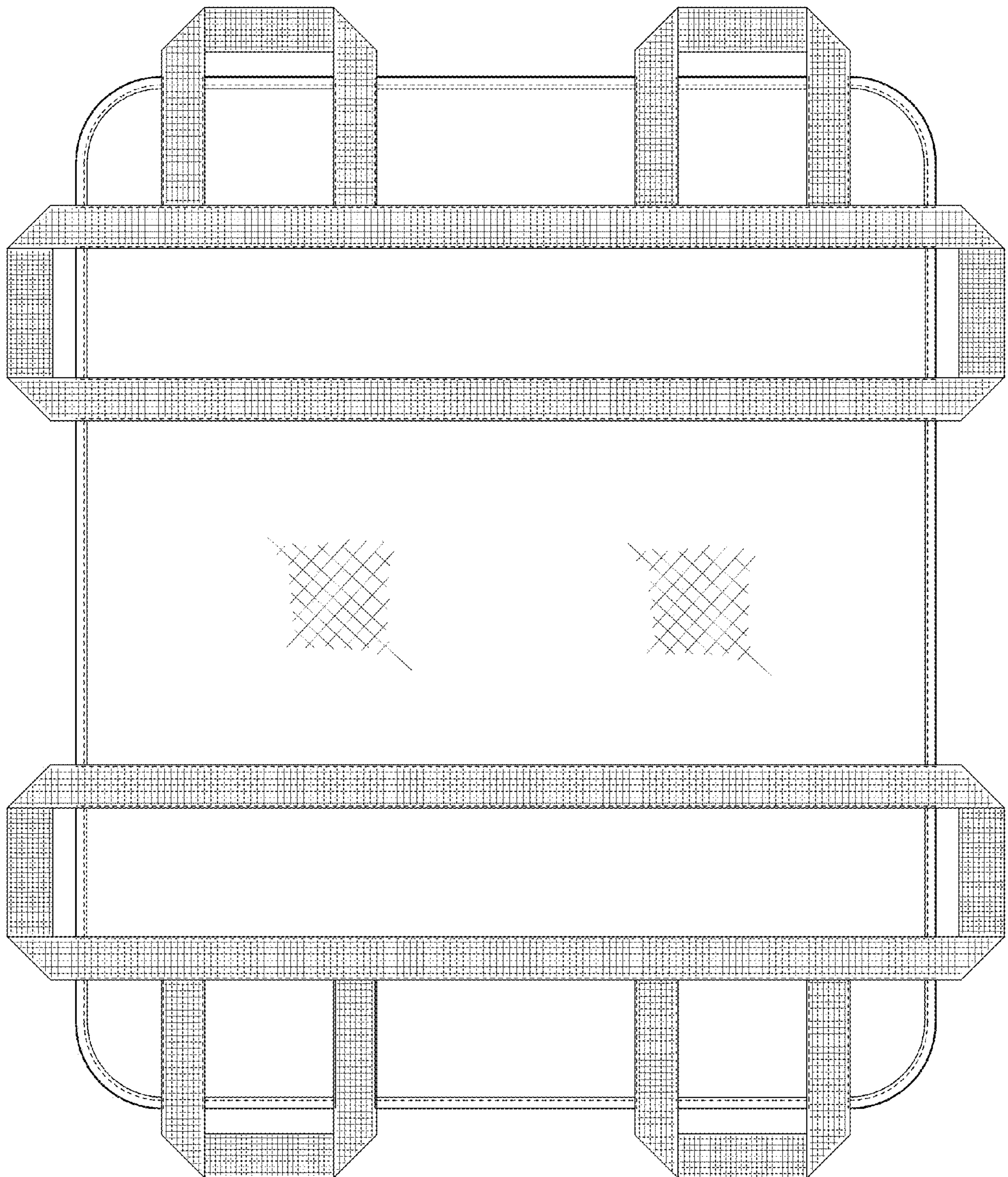


FIG. 4