



US00D959670S

(12) **United States Design Patent** (10) **Patent No.:** **US D959,670 S**
Chenal (45) **Date of Patent:** **** Aug. 2, 2022**

- (54) **EARPIECE-FOAM SIZING TOOL**
- (71) Applicant: **JMJ Holdings, LLC**, Frederic, WI (US)
- (72) Inventor: **David M. Chenal**, Frederic, WI (US)
- (73) Assignee: **JMJ Holdings, LLC**, Frederic, WI (US)
- (**) Term: **15 Years**
- (21) Appl. No.: **29/718,377**
- (22) Filed: **Dec. 23, 2019**
- (51) **LOC (13) Cl.** **24-99**
- (52) **U.S. Cl.**
USPC **D24/174**
- (58) **Field of Classification Search**
USPC D24/106, 174
CPC A61F 11/08; A61F 11/10; A61F 2011/085;
H04R 25/60; H04R 25/67; H04R 25/602;
H04R 25/604; H04R 25/608; H05R
2225/025
See application file for complete search history.

- (56) **References Cited**
U.S. PATENT DOCUMENTS
D350,395 S * 9/1994 Håkansson D24/173
D405,528 S * 2/1999 Shennib D24/174
D419,675 S * 1/2000 Garcia D24/173
D471,625 S * 3/2003 Falco A61F 11/08
D24/106
D518,179 S * 3/2006 Holmes D24/174
D524,938 S * 7/2006 Schreiber D24/134

- 7,236,605 B2 6/2007 Oliviera et al.
- D556,326 S * 11/2007 Espersen D24/174
- D935,621 S * 11/2021 Christiansen D24/174
- 2006/0067551 A1 * 3/2006 Cartwright H04R 25/658
381/328
- 2015/0335489 A1 * 11/2015 Hamer A61F 11/08
128/864
- 2015/0335490 A1 * 11/2015 Hamer A61F 11/08
128/864

* cited by examiner

Primary Examiner — Michelle E. Wilson
Assistant Examiner — Caitlin A Laverty
(74) *Attorney, Agent, or Firm* — Jonathan M. Rixen;
Charles A. Lemaire; Lemaire Patent Law Firm, P.L.L.C.

(57) **CLAIM**
The ornamental design for an earpiece-foam sizing tool, as shown and described.

DESCRIPTION
FIG. 1 is a first perspective top view of the decorative earpiece-foam sizing tool showing the new design; FIG. 2 is a second perspective top view thereof; FIG. 3 is a left-side view thereof; FIG. 4 is a first perspective bottom view thereof; FIG. 5 is a second perspective bottom view thereof; FIG. 6 is a right-side view thereof; FIG. 7 is a bottom view thereof; FIG. 8 is a top-end view thereof; and, FIG. 9 is a third perspective top view thereof.
In all of the Figures, any broken lines are for the purpose of illustrating portions of the earpiece-foam sizing tool that are not part of the claimed design.

1 Claim, 3 Drawing Sheets

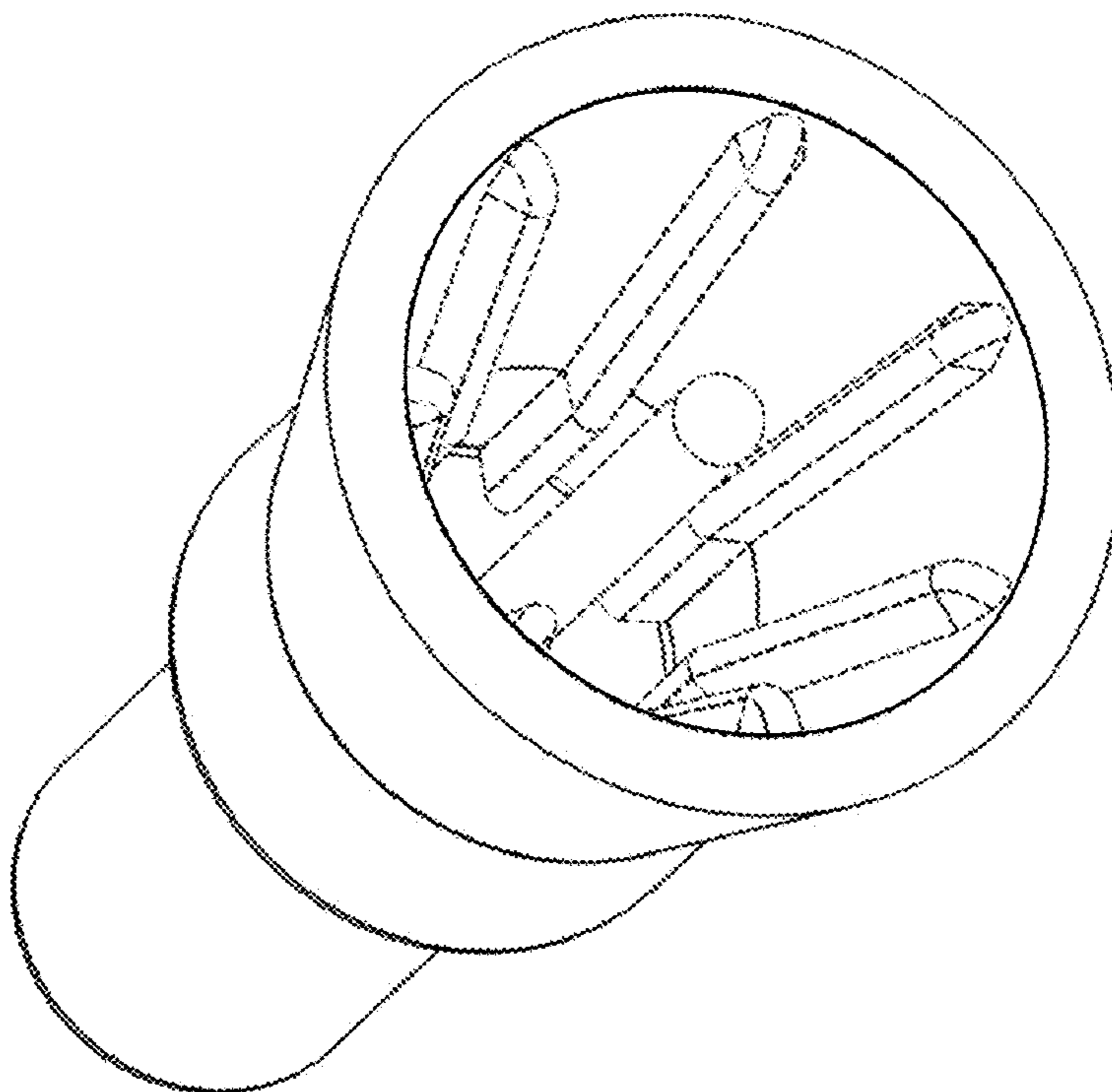


FIG. 2

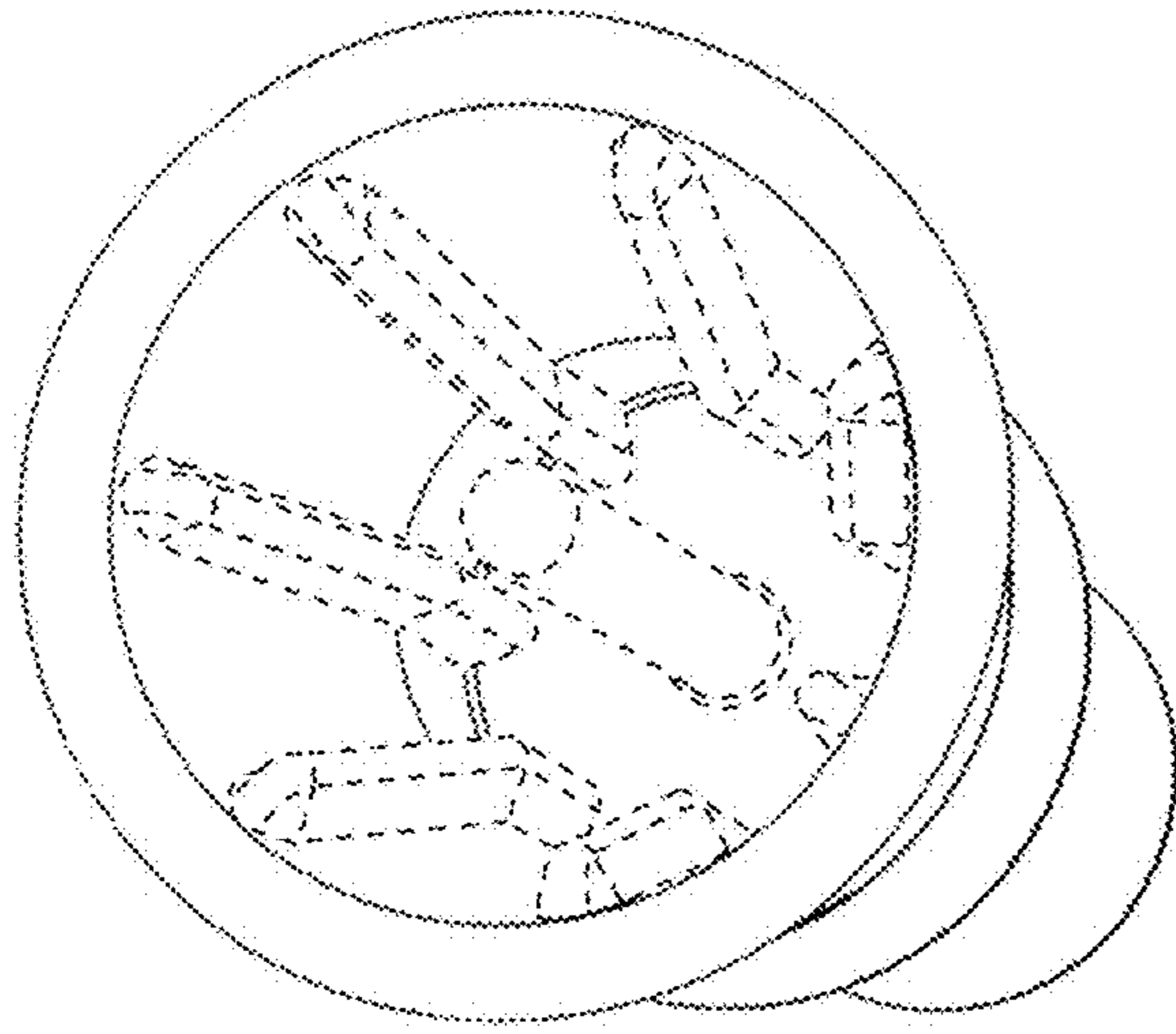


FIG. 1

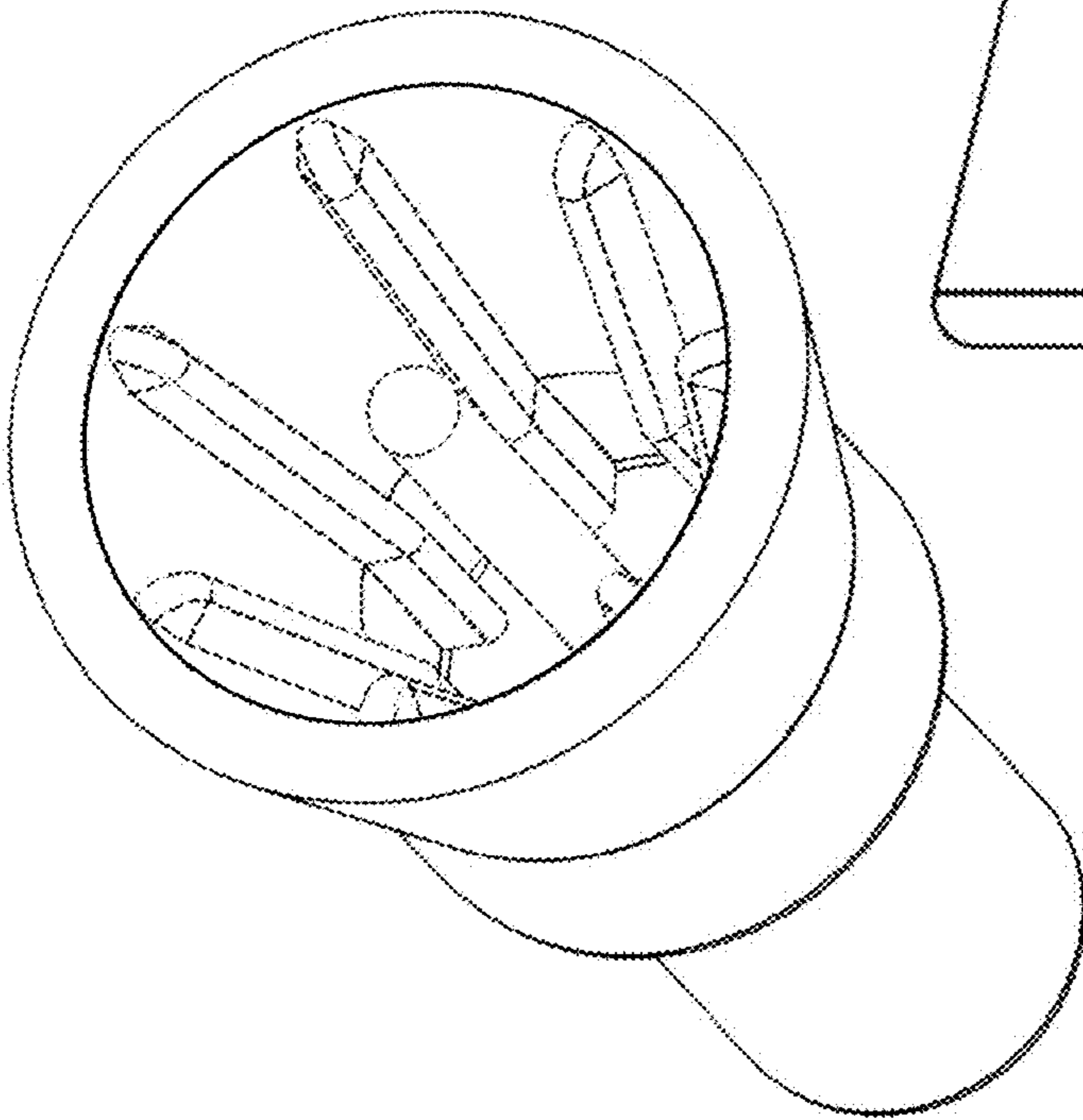


FIG. 3

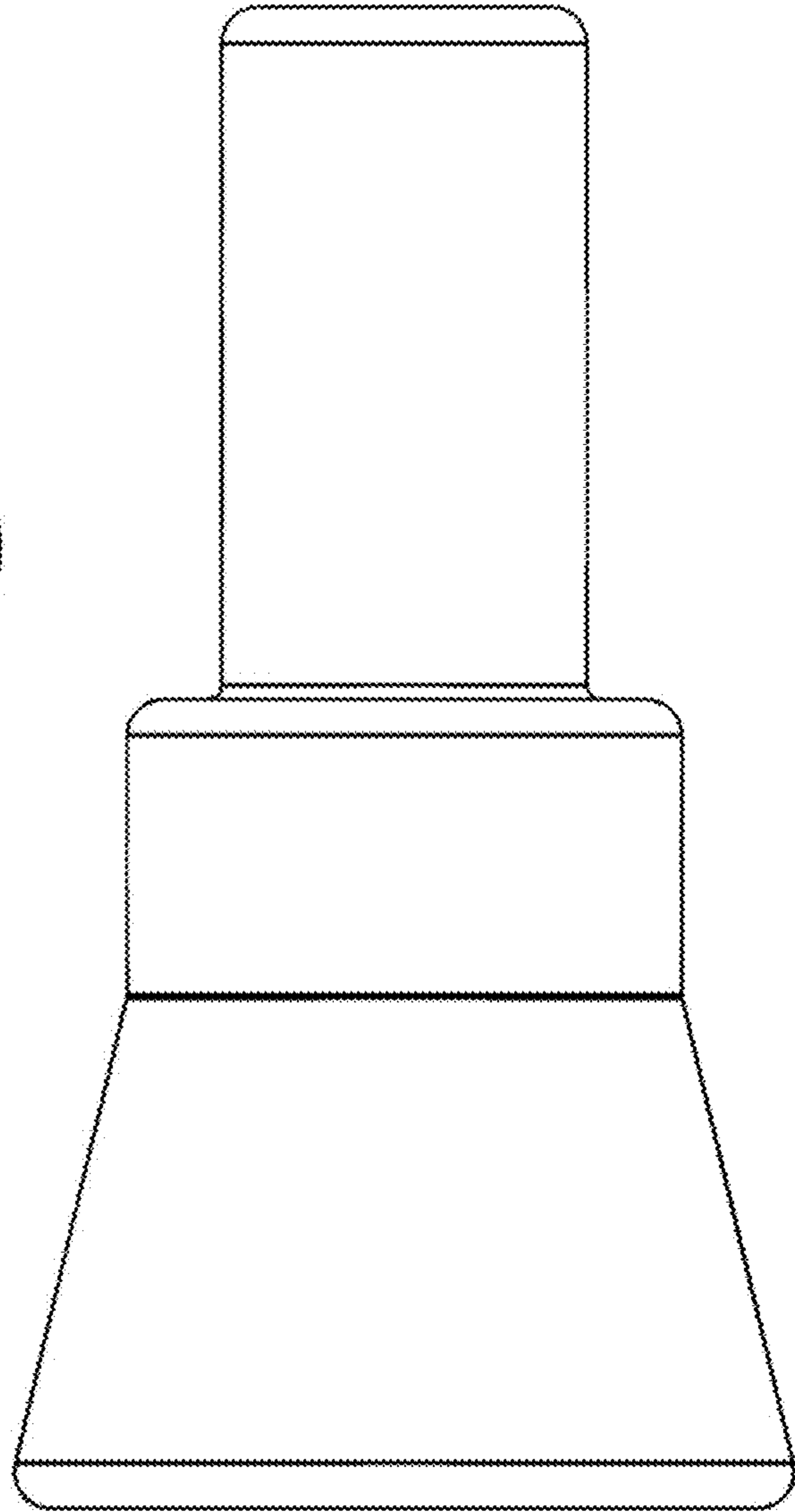


FIG. 5

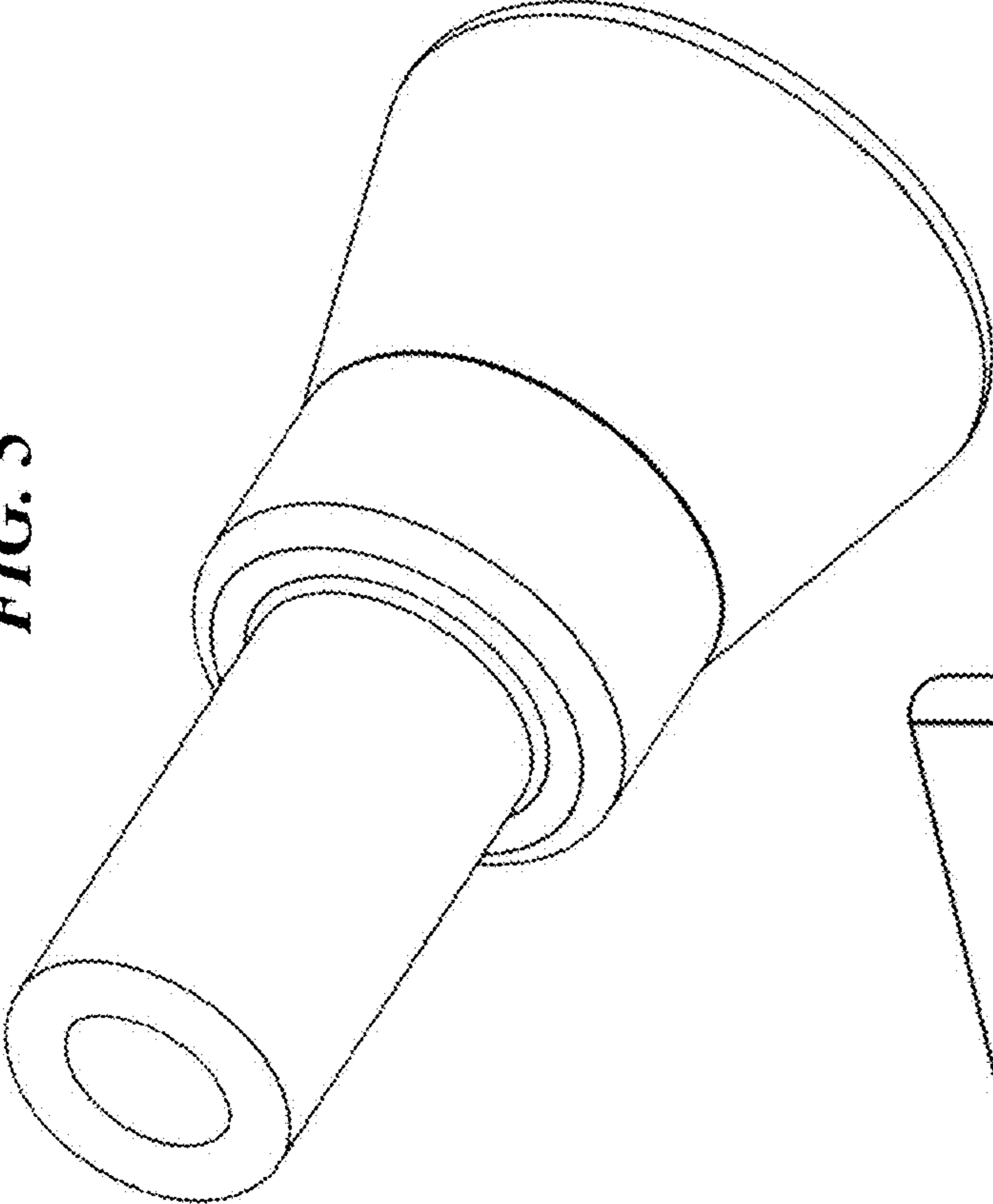


FIG. 4

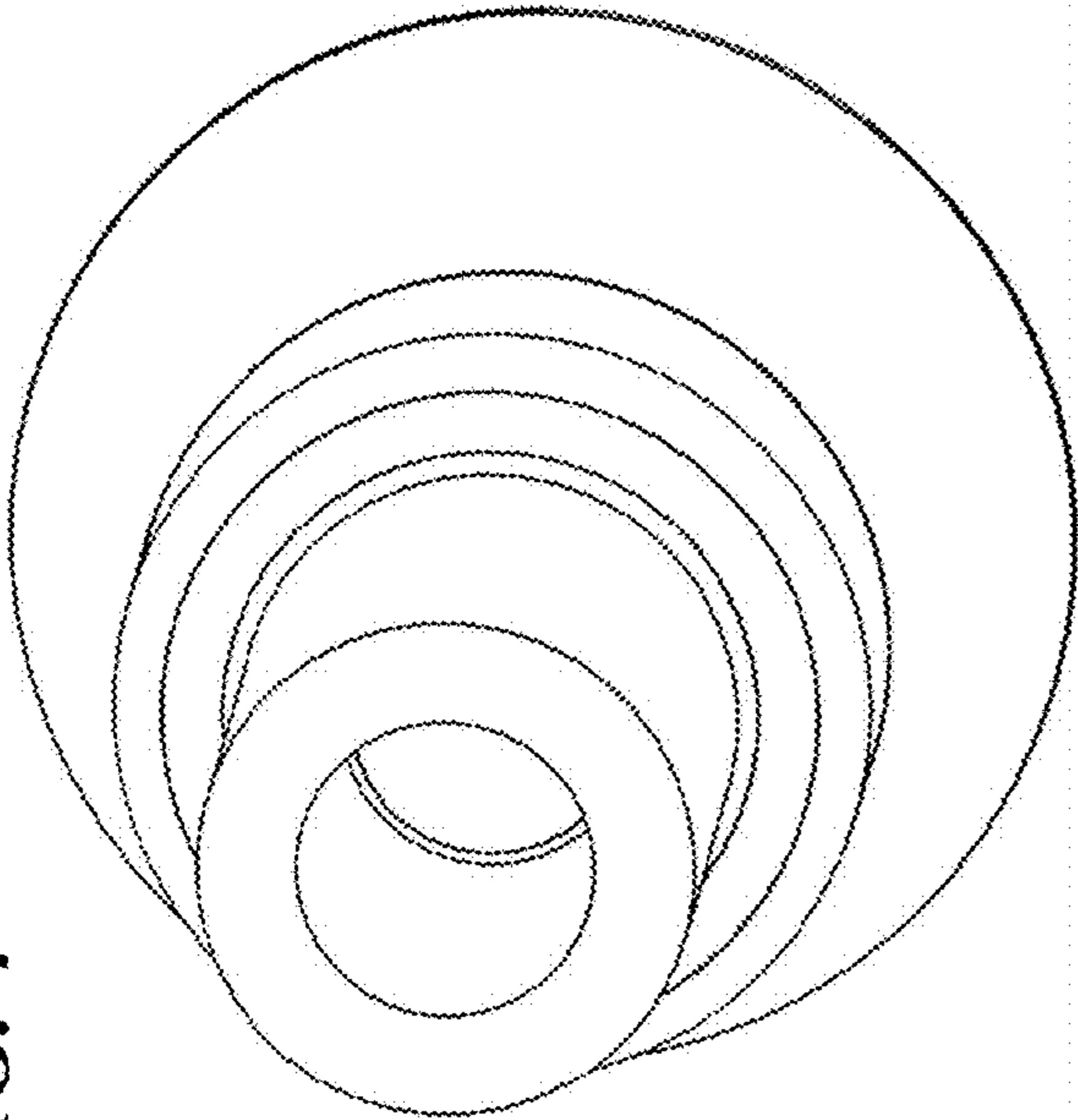
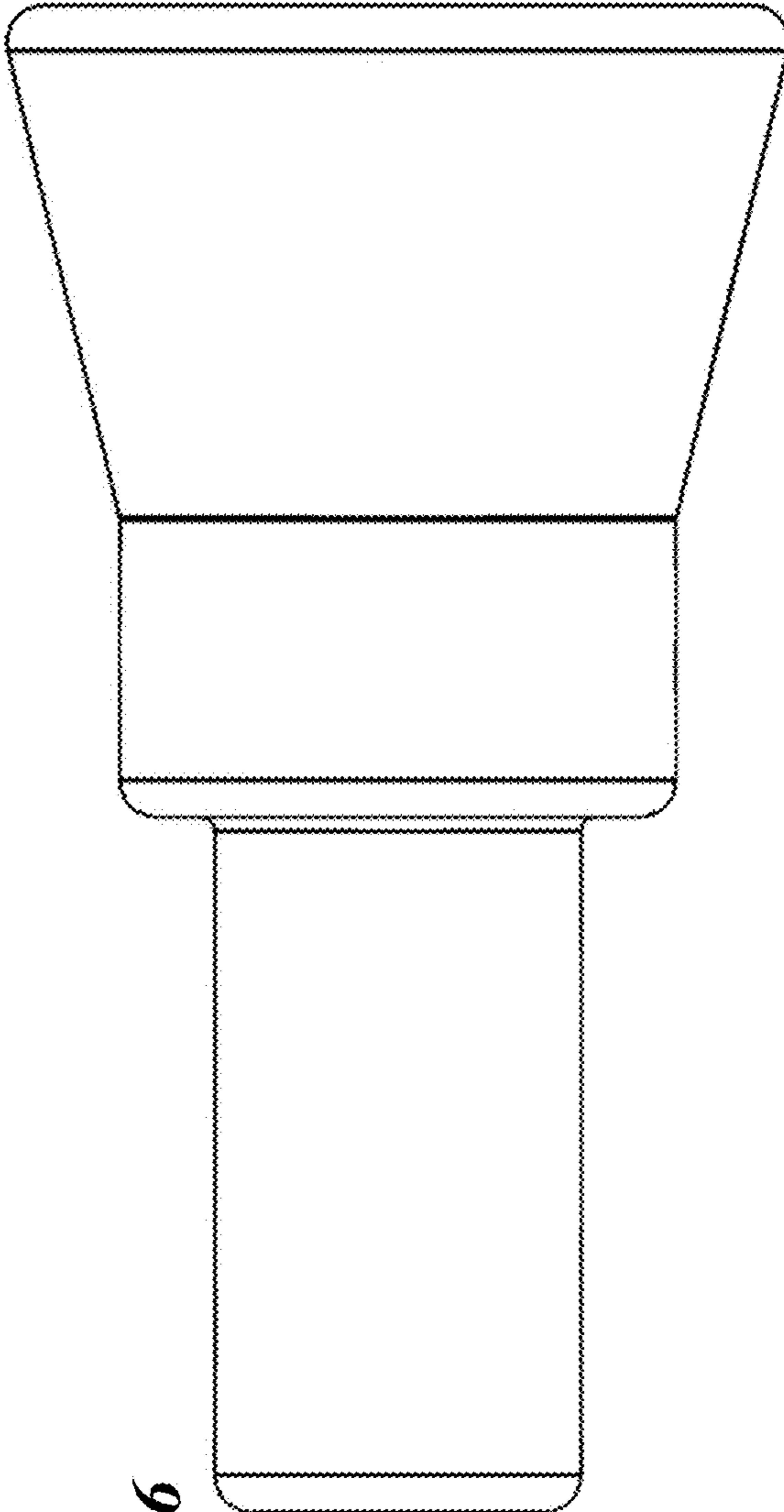


FIG. 6



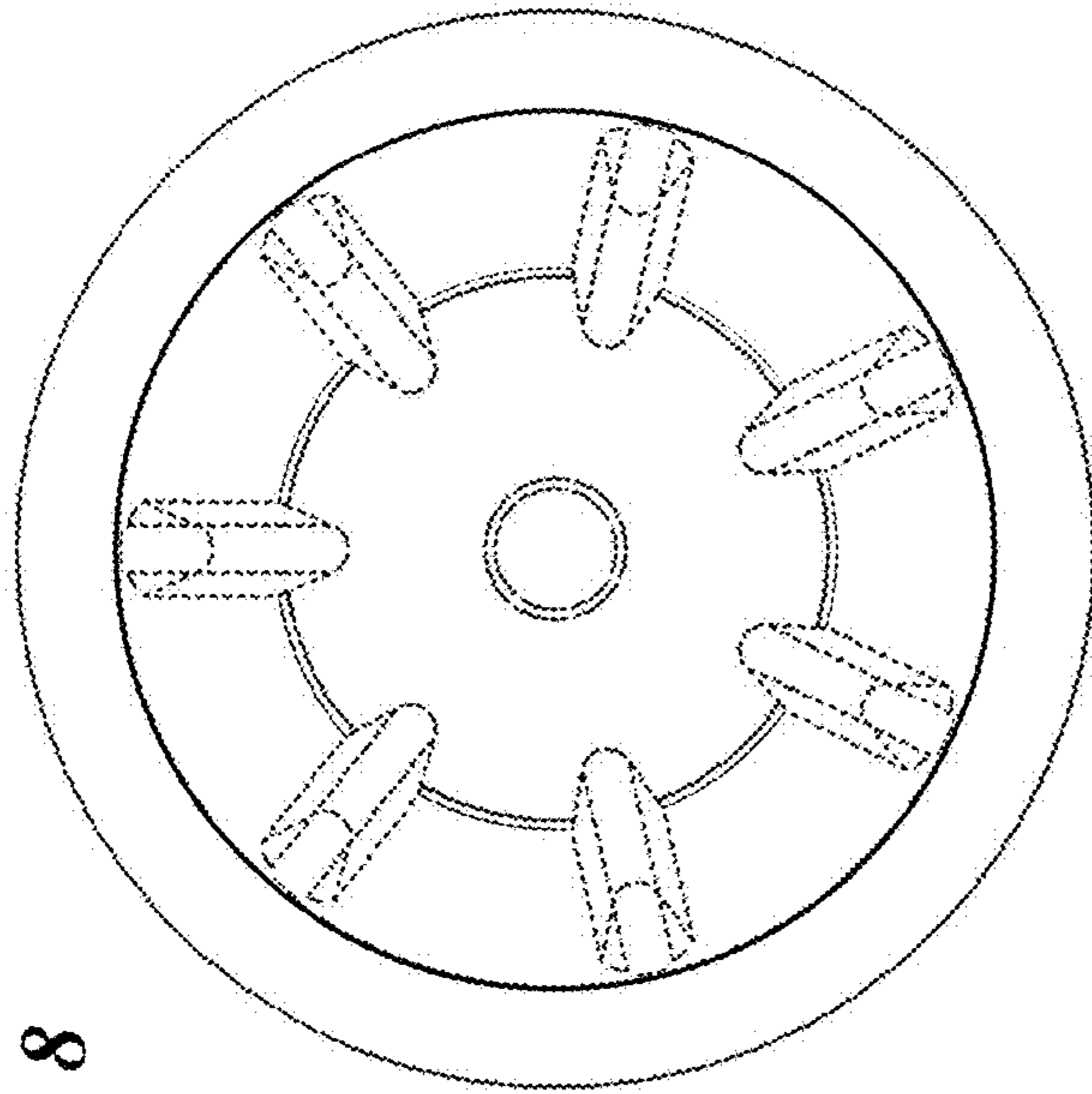


FIG. 8

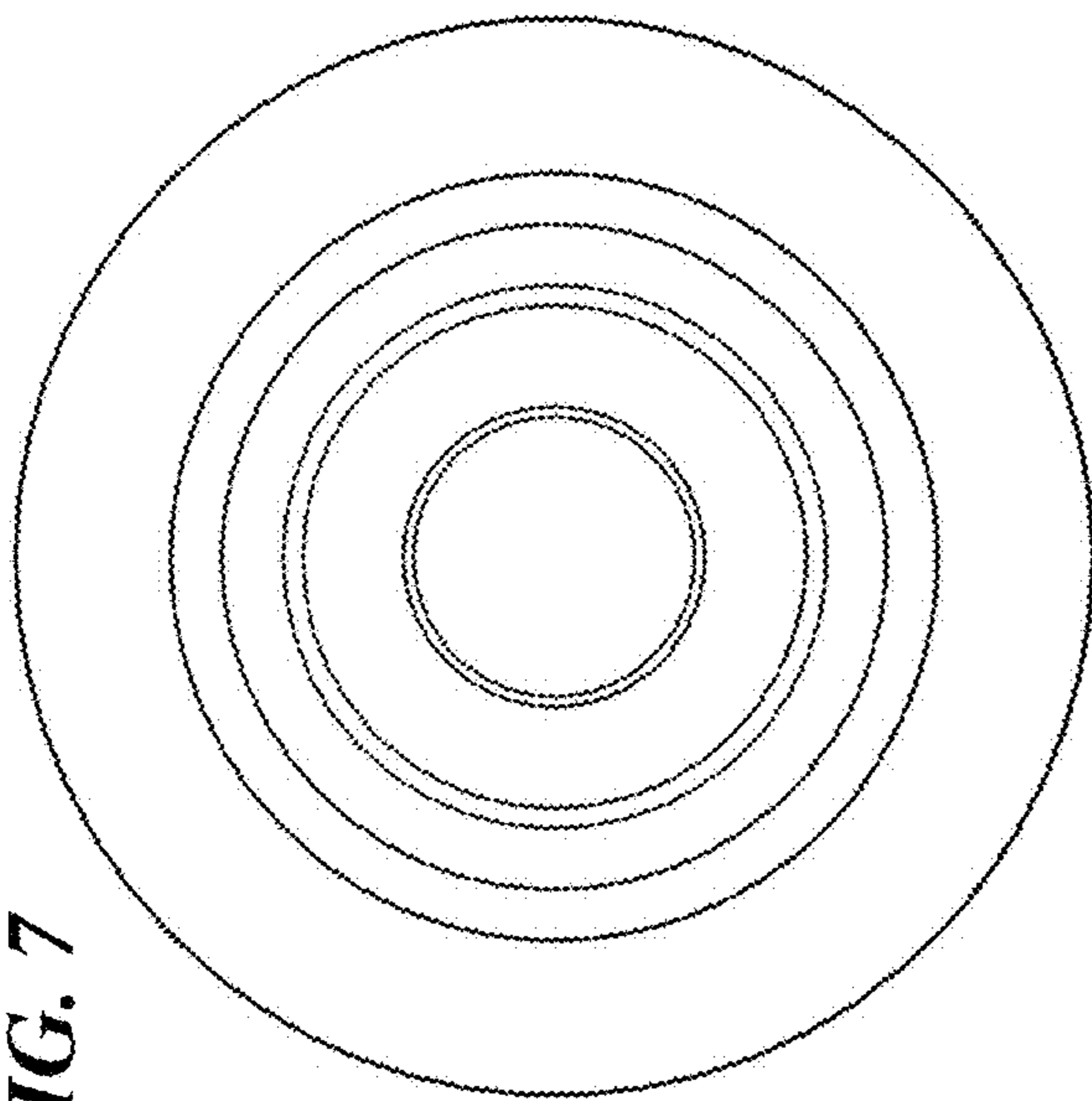


FIG. 7

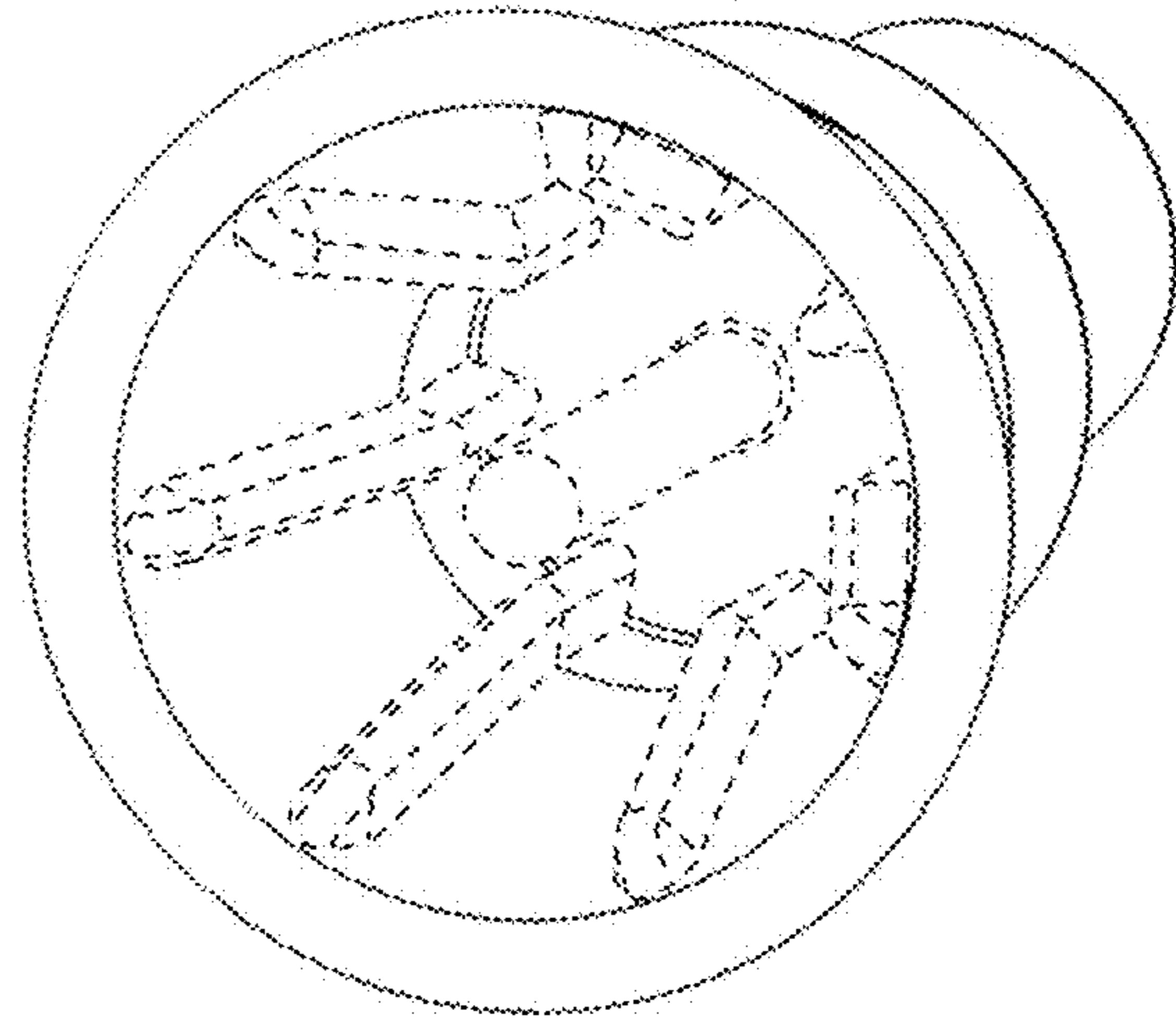


FIG. 9