



US00D959667S

(12) **United States Design Patent**
Zhang et al.

(10) **Patent No.:** **US D959,667 S**

(45) **Date of Patent:** **** Aug. 2, 2022**

(54) **IMAGING APPARATUS**

(71) Applicant: **GE Precision Healthcare LLC**,
Milwaukee, WI (US)

(72) Inventors: **Wei Zhang**, Beijing (CN); **Jun Hou**,
Shanghai (CN)

(73) Assignee: **GE Precision Healthcare LLC**,
Milwaukee, WI (US)

(**) Term: **15 Years**

(21) Appl. No.: **29/784,250**

(22) Filed: **May 18, 2021**

Related U.S. Application Data

(62) Division of application No. 29/698,209, filed on Jul.
15, 2019, now Pat. No. Des. 928,961.

(51) **LOC (13) Cl.** **24-01**

(52) **U.S. Cl.**
USPC **D24/158**

(58) **Field of Classification Search**
USPC D24/107, 158–161, 185, 186; D13/168;
D14/218, 388
CPC .. A61B 6/03; A61B 6/035; A61B 5/05; A61B
5/055

See application file for complete search history.

(56) **References Cited**

U.S. PATENT DOCUMENTS

D503,804 S * 4/2005 Phleps D24/165
D700,339 S * 2/2014 Tan D24/158
D715,444 S * 10/2014 Zhi D24/159
D715,945 S * 10/2014 Zhang D24/159

D751,205 S * 3/2016 Tan D24/158
D784,541 S * 4/2017 Hilbig D24/186
D799,045 S * 10/2017 Mattiuzzo D24/158
D868,971 S * 12/2019 Delaey D24/158
D919,808 S * 5/2021 Zhang D24/158
D928,961 S * 8/2021 Zhang D24/158
D931,281 S * 9/2021 Turk D13/164
D934,426 S * 10/2021 Zhang D24/158
D940,869 S * 1/2022 Guegel-Wild D24/158
2014/0098934 A1 * 4/2014 Kondo A61B 6/0407
5/601

* cited by examiner

Primary Examiner — Anhdao Doan

(74) *Attorney, Agent, or Firm* — McCoy Russell LLP

(57) **CLAIM**

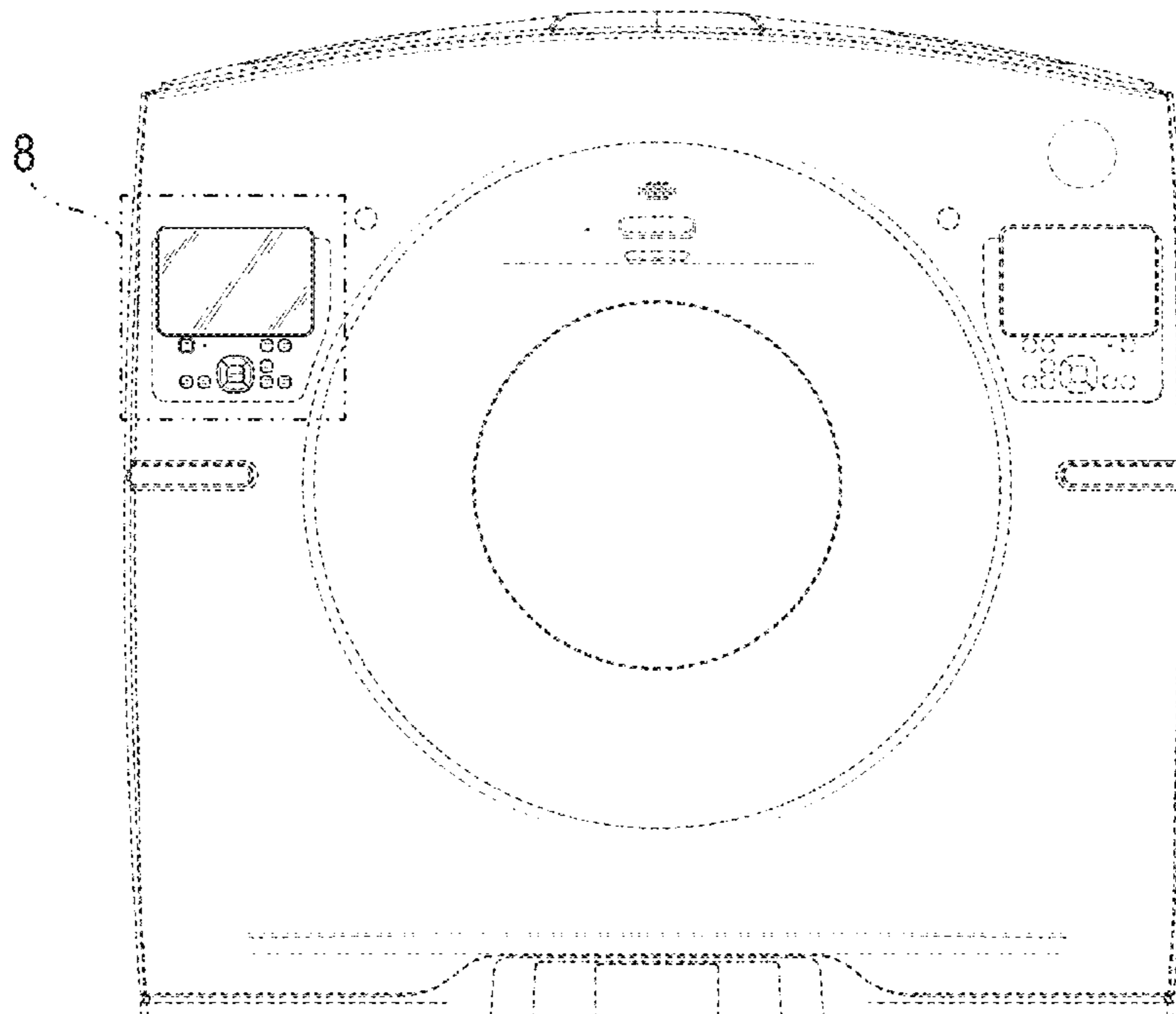
The ornamental design for an imaging apparatus, as shown
and described.

DESCRIPTION

FIG. 1 is a front-left perspective view of an imaging
apparatus according to the claimed design.
FIG. 2 is a front view of the imaging apparatus.
FIG. 3 is a rear view of the imaging apparatus.
FIG. 4 is a top view of the imaging apparatus.
FIG. 5 is a bottom view of the imaging apparatus.
FIG. 6 is a left side view of the imaging apparatus.
FIG. 7 is a right side view of the imaging apparatus; and,
FIG. 8 is an enlarged view of the bounded portion 8 in FIG.
2.

The broken lines in the drawings illustrate portions of the
imaging apparatus that form no part of the claimed design.
The dash-dot-dot broken lines in FIGS. 2 and 8 illustrating
the bounded portion form no part of the claimed design.

1 Claim, 8 Drawing Sheets



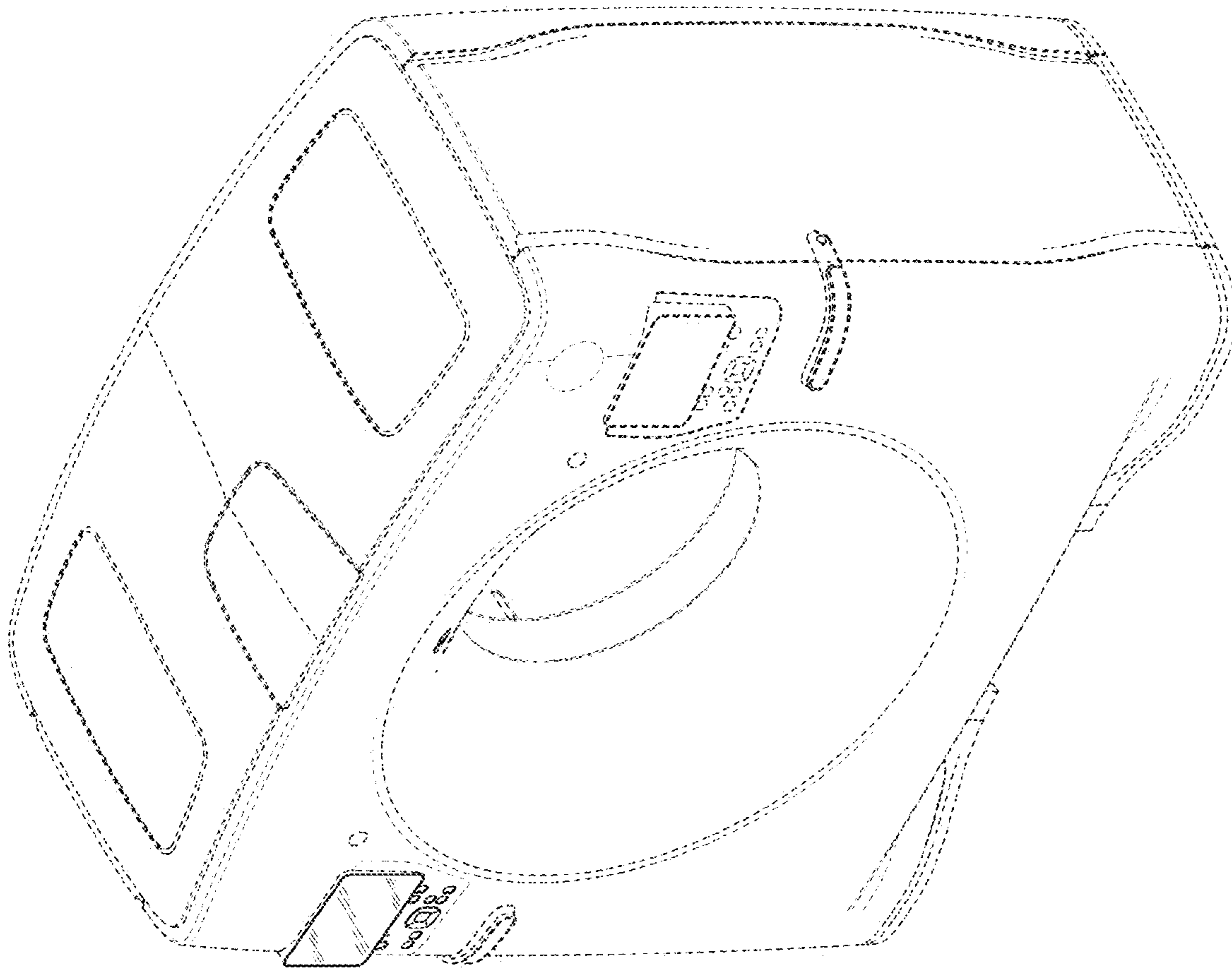


FIG. 1

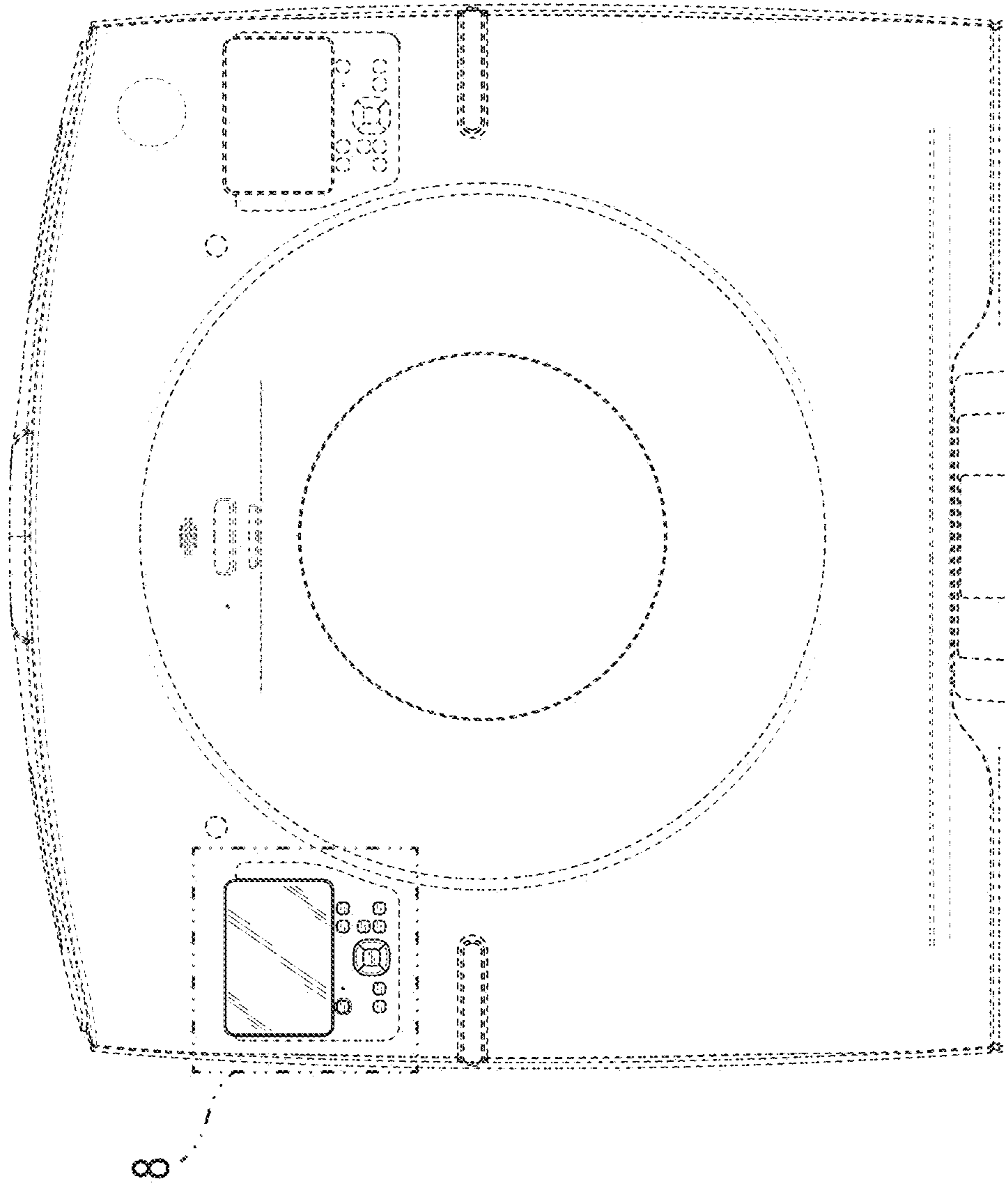


FIG. 2

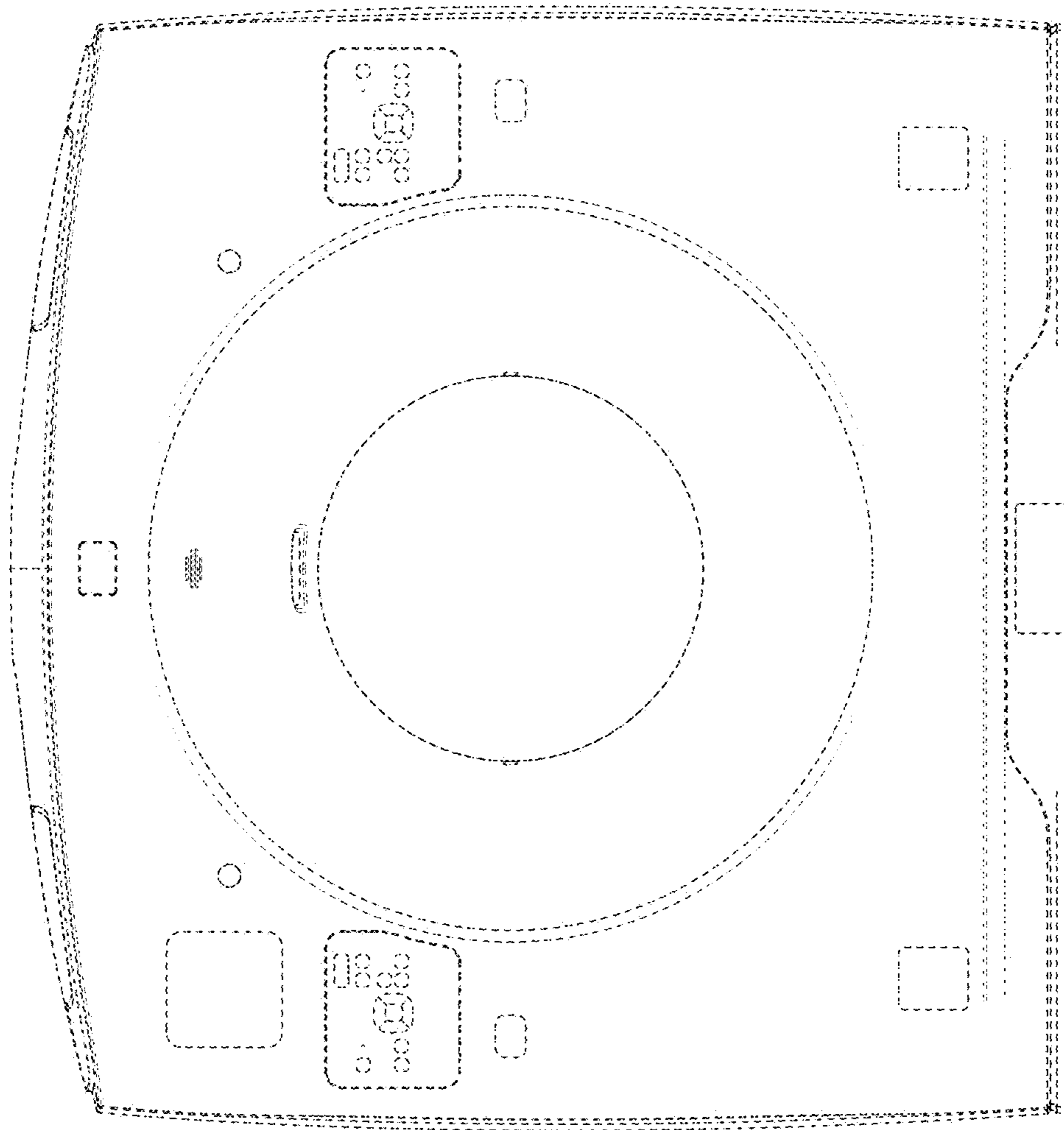


FIG. 3

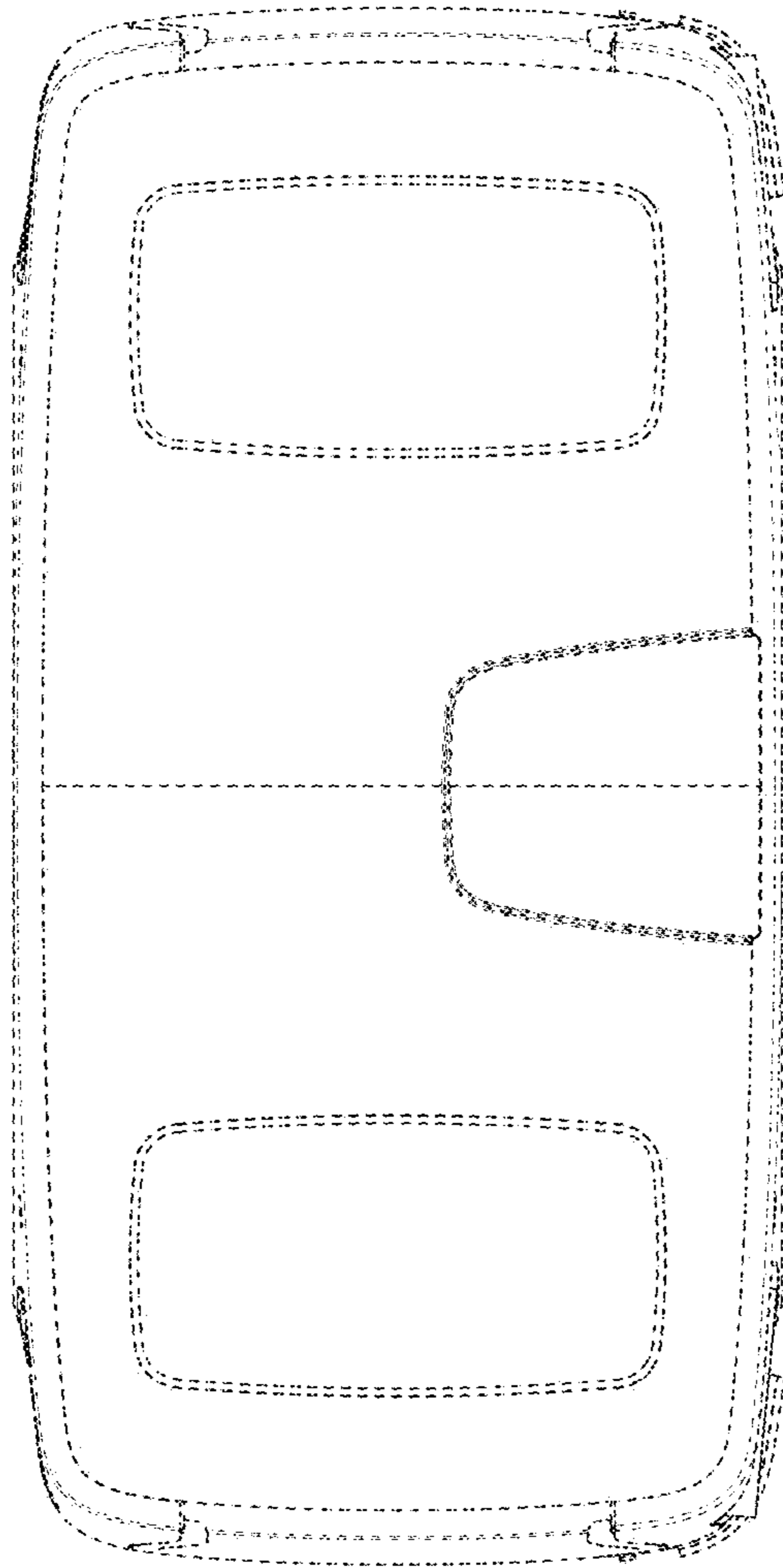


FIG. 4

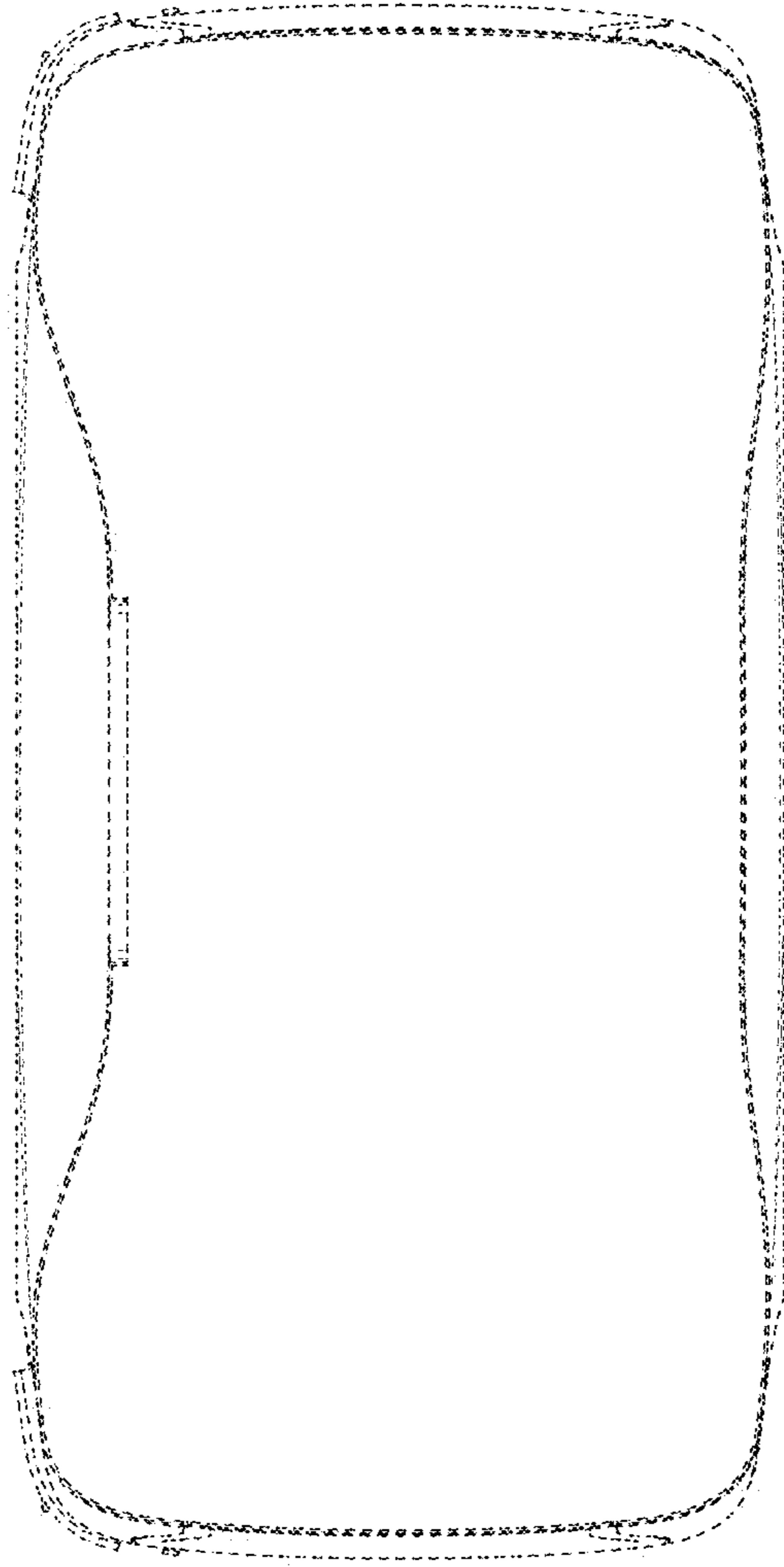


FIG. 5

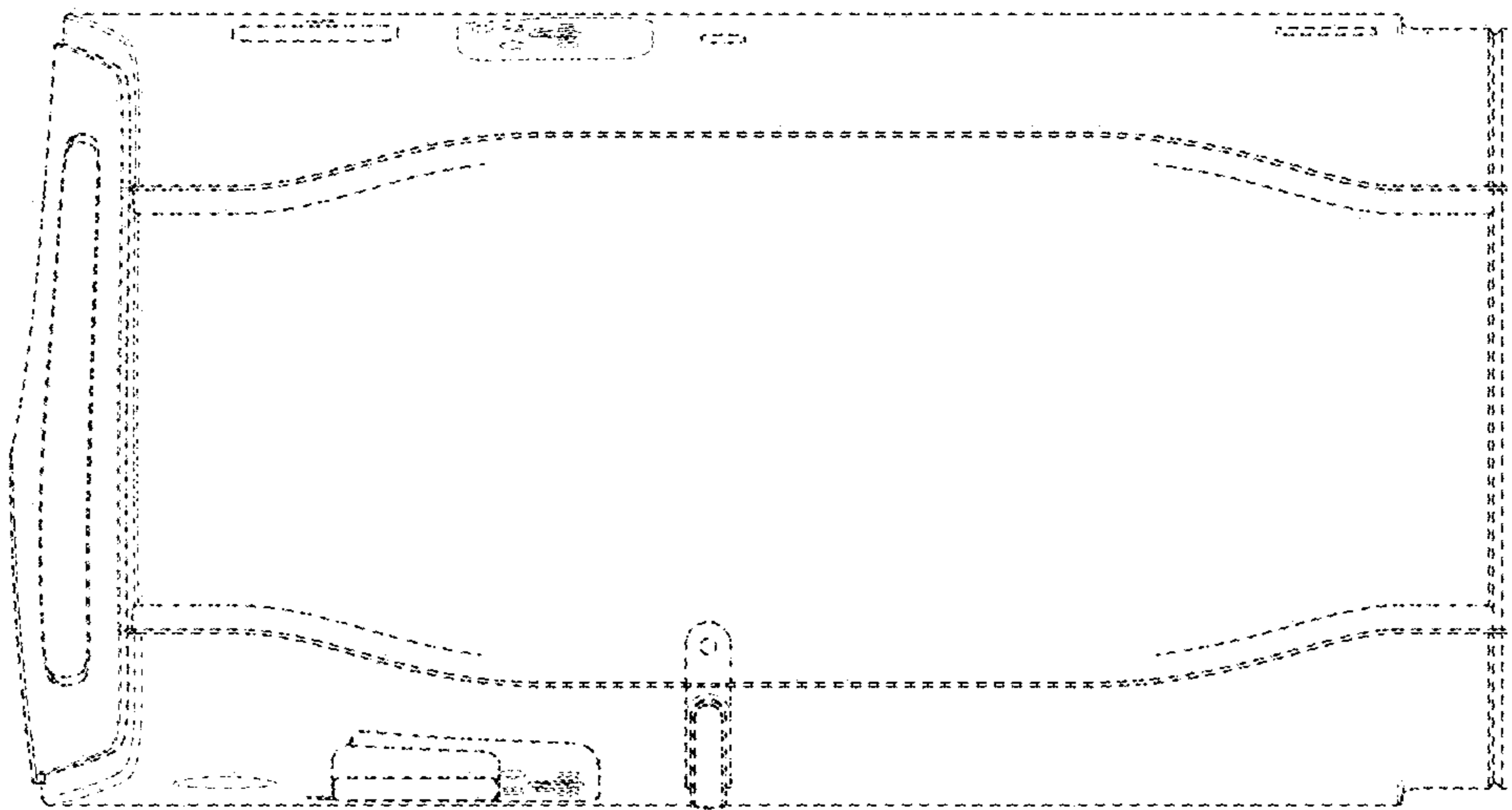


FIG. 6

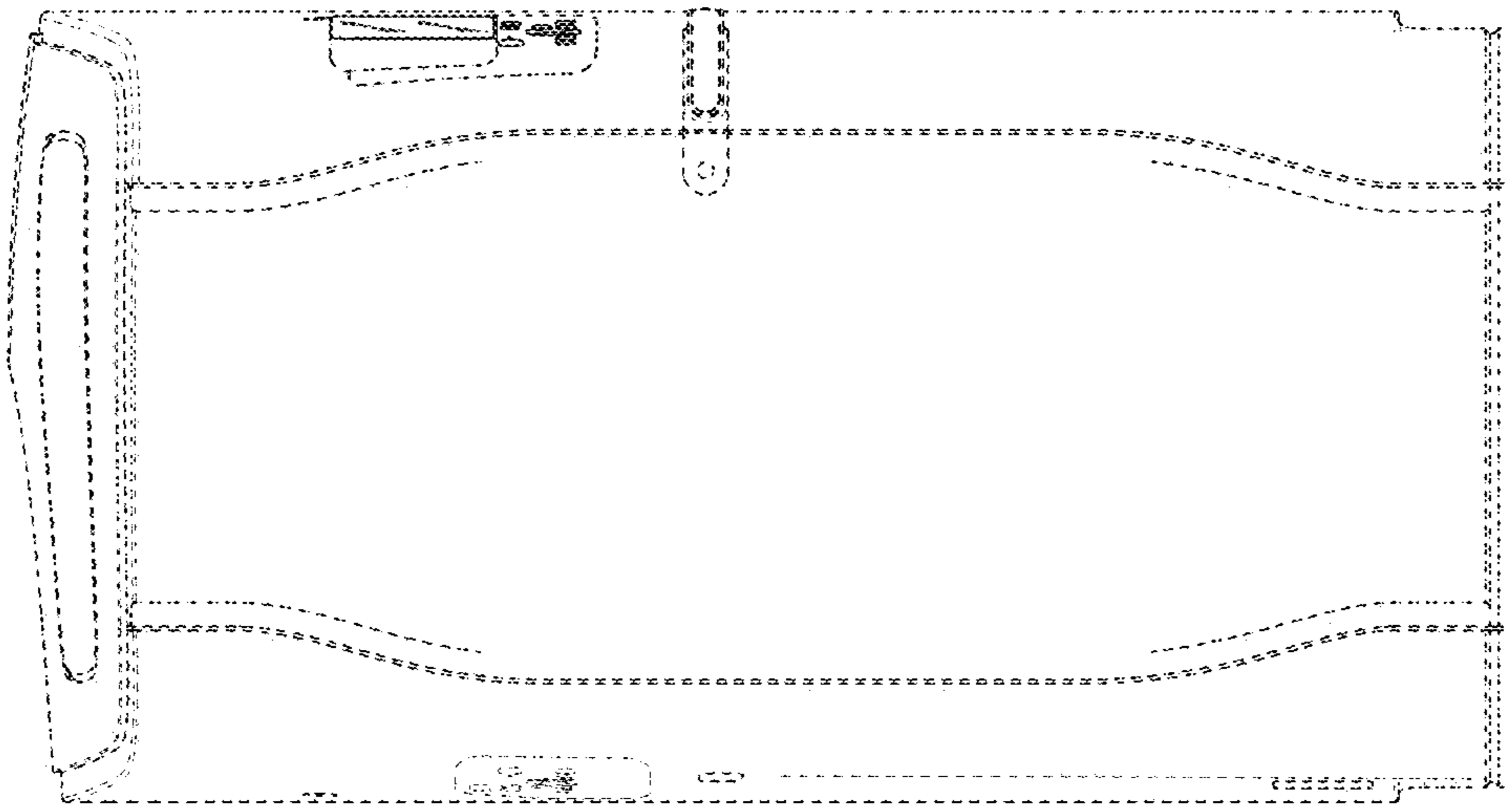


FIG. 7

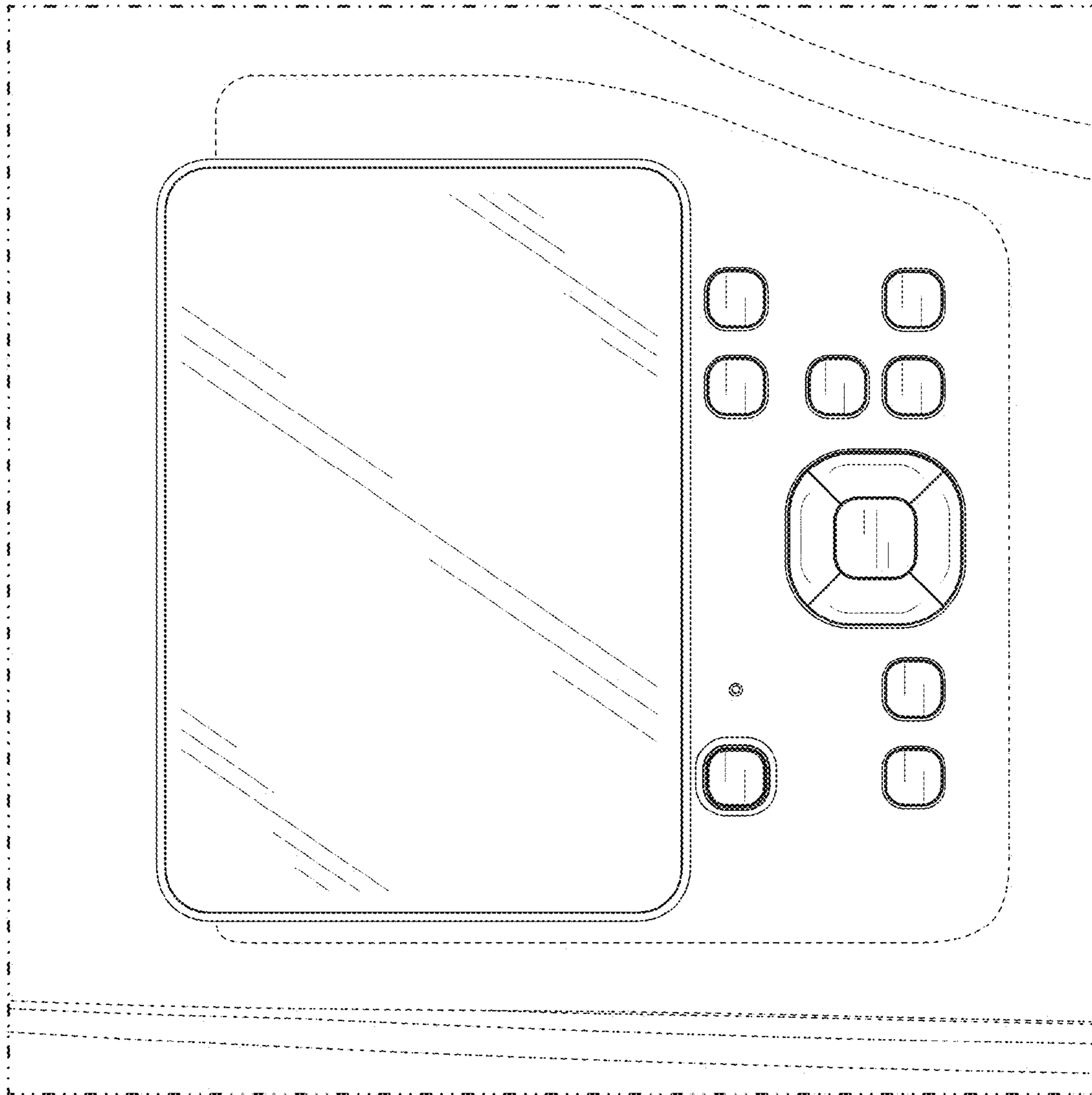


FIG. 8