



US00D959665S

(12) **United States Design Patent** (10) **Patent No.:** **US D959,665 S**
Saenz Villalobos et al. (45) **Date of Patent:** **** Aug. 2, 2022**

- (54) **DEVICE FOR TREATING TISSUE**
- (71) Applicant: **BOSTON SCIENTIFIC SCIMED, INC.**, Maple Grove, MN (US)
- (72) Inventors: **Gonzalo Jose Saenz Villalobos**, Alajuela (CR); **Daniel Calvo Camacho**, Ciudad Colon (CR); **Rafael Berenzon**, La Union (CR); **Shawn Ryan**, Littleton, MA (US)
- (73) Assignee: **BOSTON SCIENTIFIC SCIMED, INC.**, Maple Grove, MN (US)
- (**) Term: **15 Years**
- (21) Appl. No.: **29/788,900**
- (22) Filed: **Aug. 11, 2021**

Related U.S. Application Data

- (62) Division of application No. 29/732,390, filed on Apr. 23, 2020, now Pat. No. Des. 950,056.
- (51) **LOC (13) Cl.** **24-02**
- (52) **U.S. Cl.**
USPC **D24/148**
- (58) **Field of Classification Search**
USPC D24/148, 133, 143, 146, 147; D8/52, 57, D8/58
CPC A61B 17/28; A61B 17/122; A61B 17/282; A61B 17/295; A61B 17/1285; A61B 17/2841; A61B 2017/29; A61B 2017/2808; A61B 2017/2825; A61B 2017/2905; A61B 2017/2926; A61B 18/1442; A61B 18/1445; A61B 2018/1455
See application file for complete search history.

(56) **References Cited**

U.S. PATENT DOCUMENTS

- 5,174,300 A * 12/1992 Bales A61B 17/2909 600/564
D446,581 S * 8/2001 Petersvik D24/133

- 6,824,548 B2 * 11/2004 Smith A61B 17/122 606/142
D575,400 S * 8/2008 Patterson D24/143
7,828,811 B2 * 11/2010 Kortenbach A61B 17/1285 606/142
8,070,759 B2 * 12/2011 Stefanchik A61B 17/0491 606/139
D758,581 S * 6/2016 Michelini D24/143
D779,668 S * 2/2017 Michelini D24/143

(Continued)

Primary Examiner — Calvin E Vansant

(74) *Attorney, Agent, or Firm* — Fay Kaplun & Marcin, LLP

(57) **CLAIM**

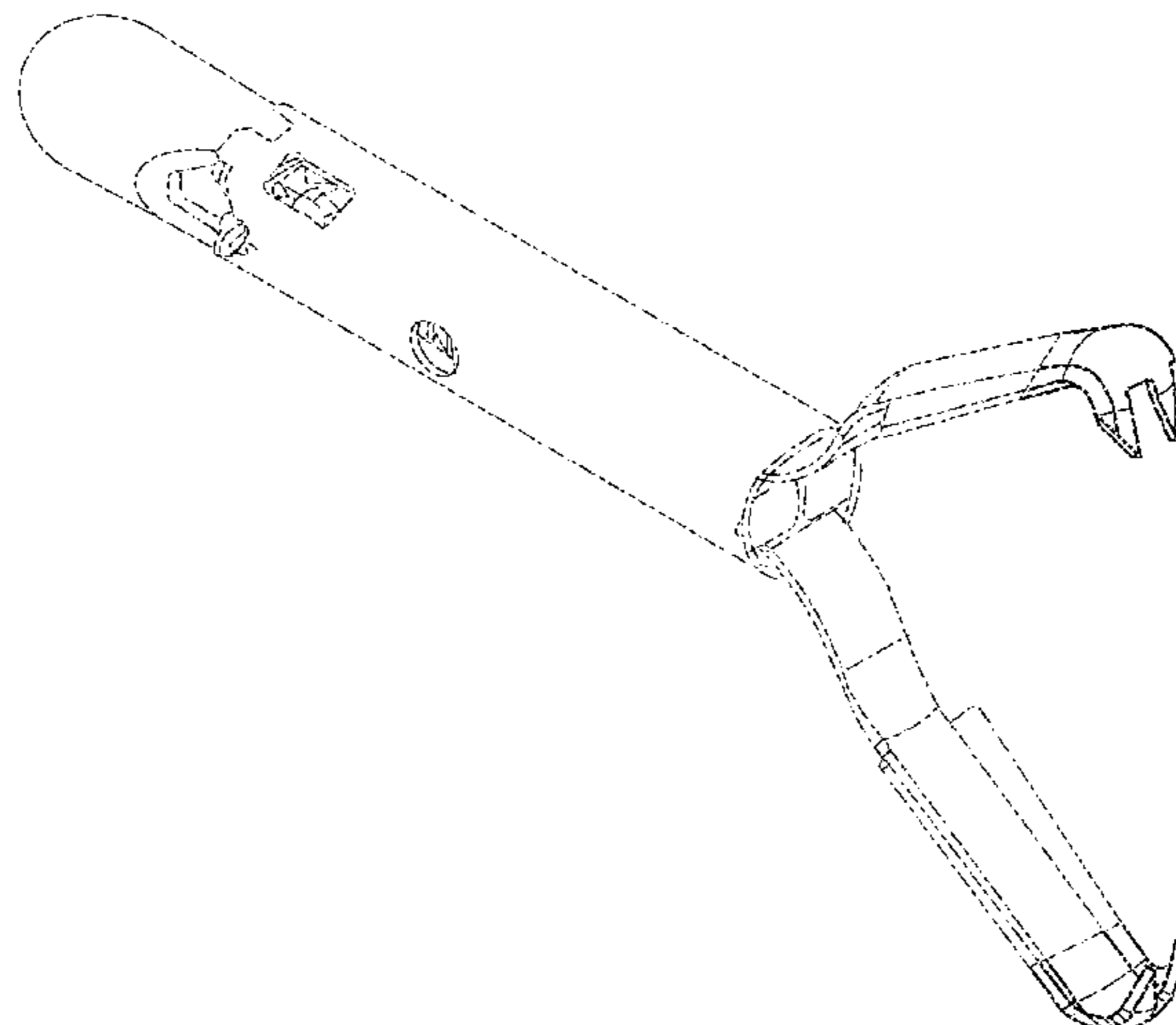
The ornamental design for a device for treating tissue, as shown and described.

DESCRIPTION

FIG. 1 is a perspective view of an open configuration of a device for treating tissue;
FIG. 2 is a front view thereof;
FIG. 3 is a first side view thereof;
FIG. 4 is a top view thereof;
FIG. 5 is a rear view of thereof;
FIG. 6 is a second side view thereof;
FIG. 7 is a bottom view thereof;
FIG. 8 is a perspective view of a closed configuration of the device for treating tissue
FIG. 9 is a front view thereof;
FIG. 10 is a rear view thereof;
FIG. 11 is a first side view thereof;
FIG. 12 is a second side view thereof;
FIG. 13 is a top view thereof; and,
FIG. 14 is a bottom view thereof.

In the drawings, the broken lines are shown for the purpose of illustrating a portion of the device for treating tissue and form no part of the claimed design.

1 Claim, 5 Drawing Sheets



(56)

References Cited

U.S. PATENT DOCUMENTS

D834,715 S * 11/2018 Alladu D24/147
10,863,998 B2 * 12/2020 Mottola A61B 10/02
2007/0250111 A1 * 10/2007 Lu A61B 17/29
606/205
2020/0093496 A1 * 3/2020 Ryan A61B 17/1227

* cited by examiner

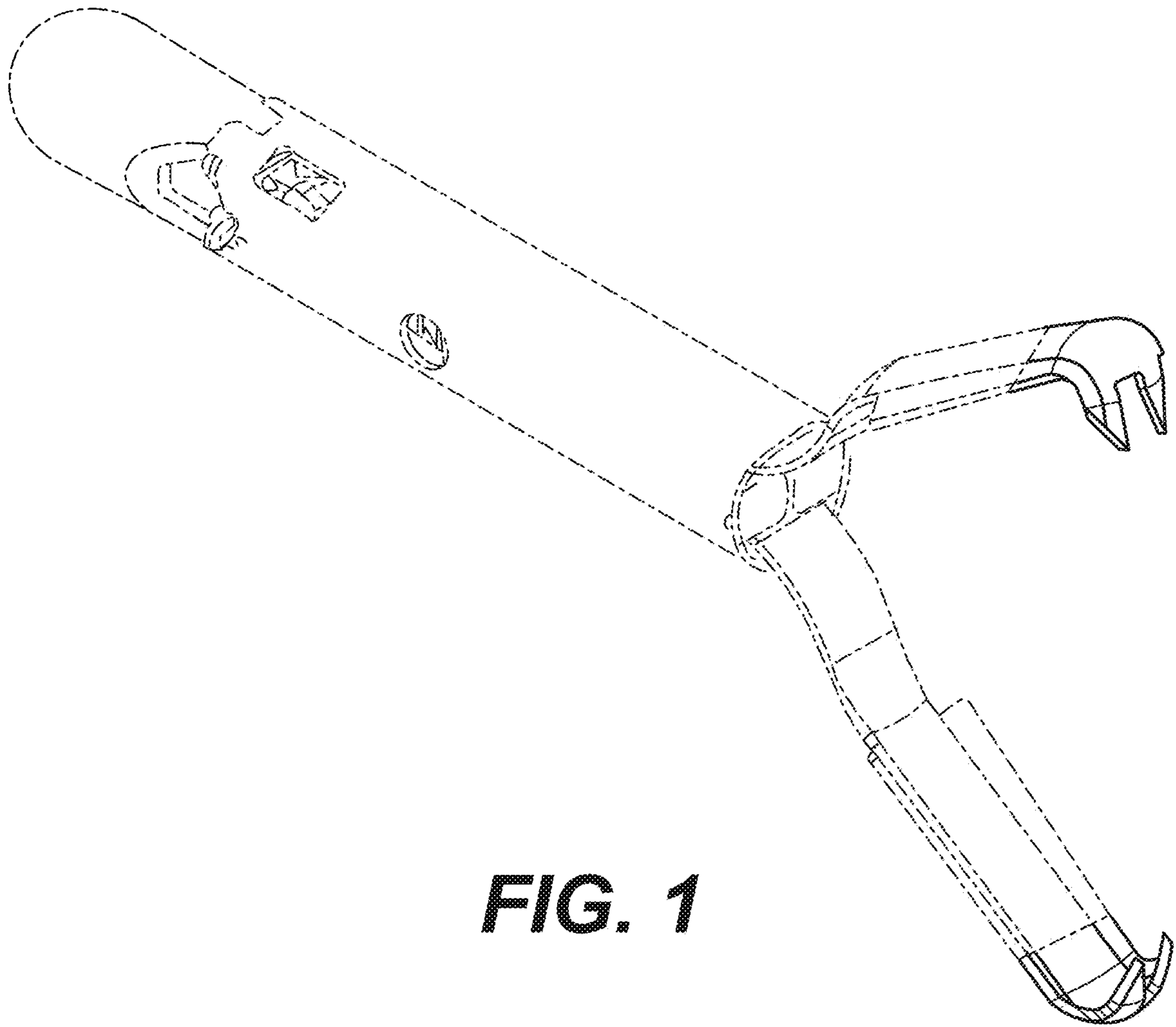


FIG. 1

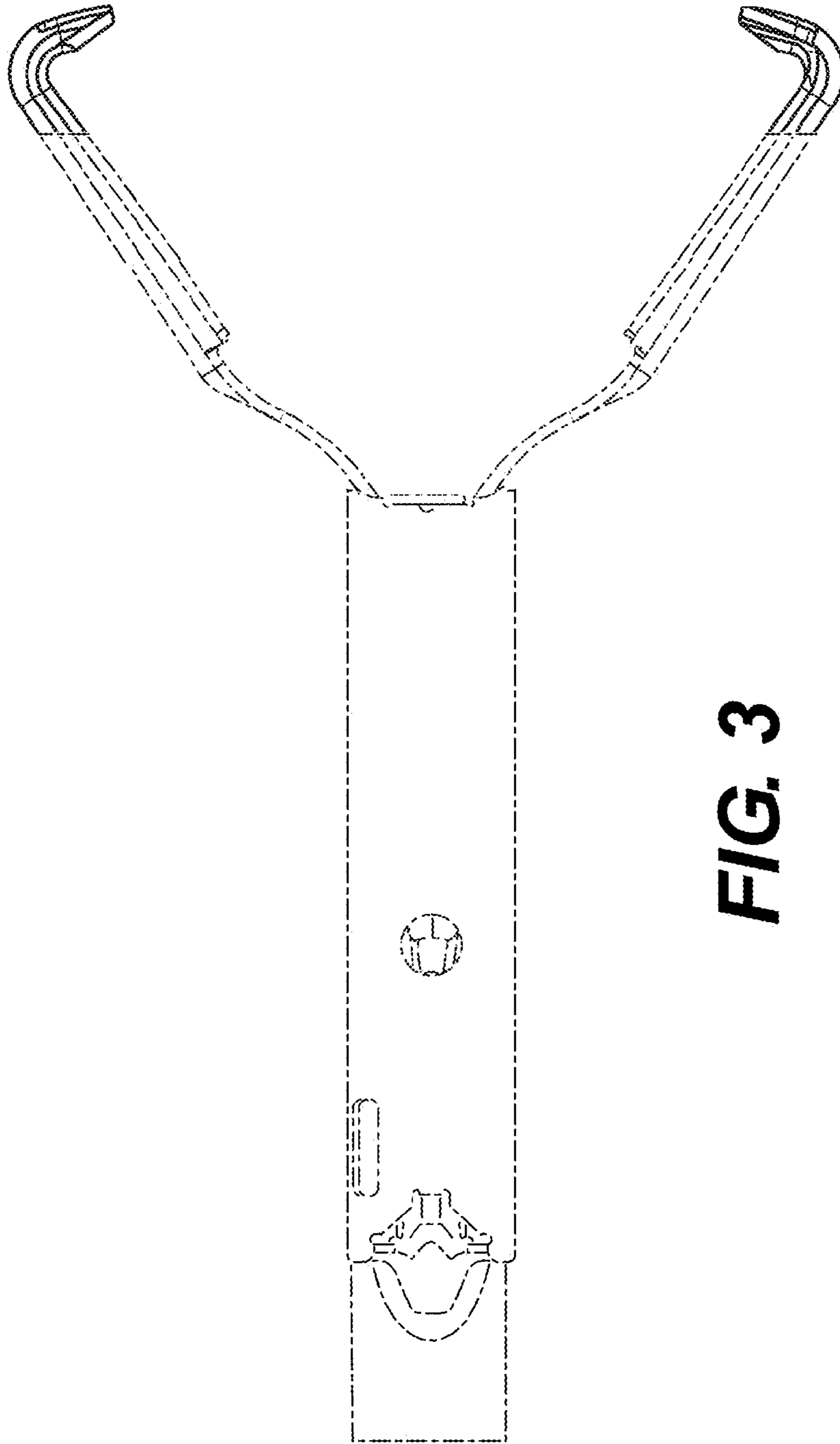


FIG. 3



FIG. 4

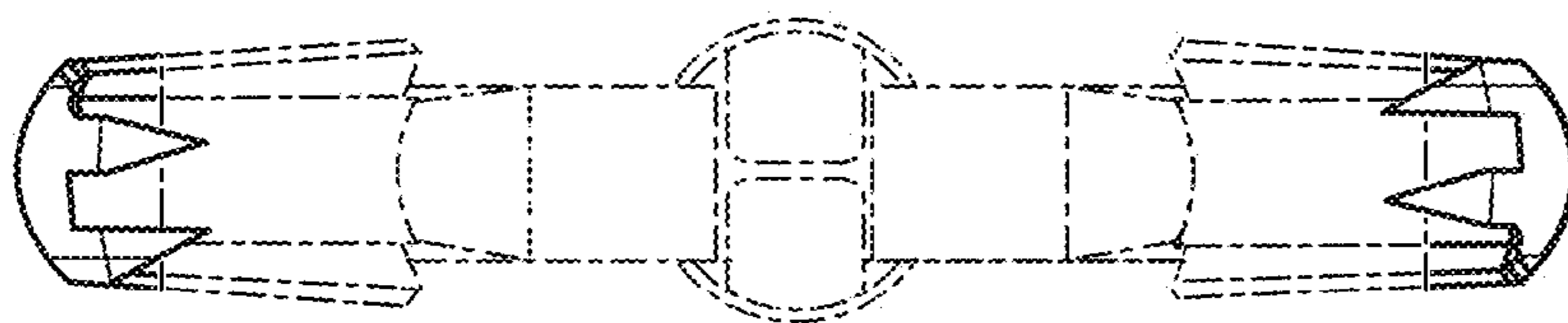


FIG. 2

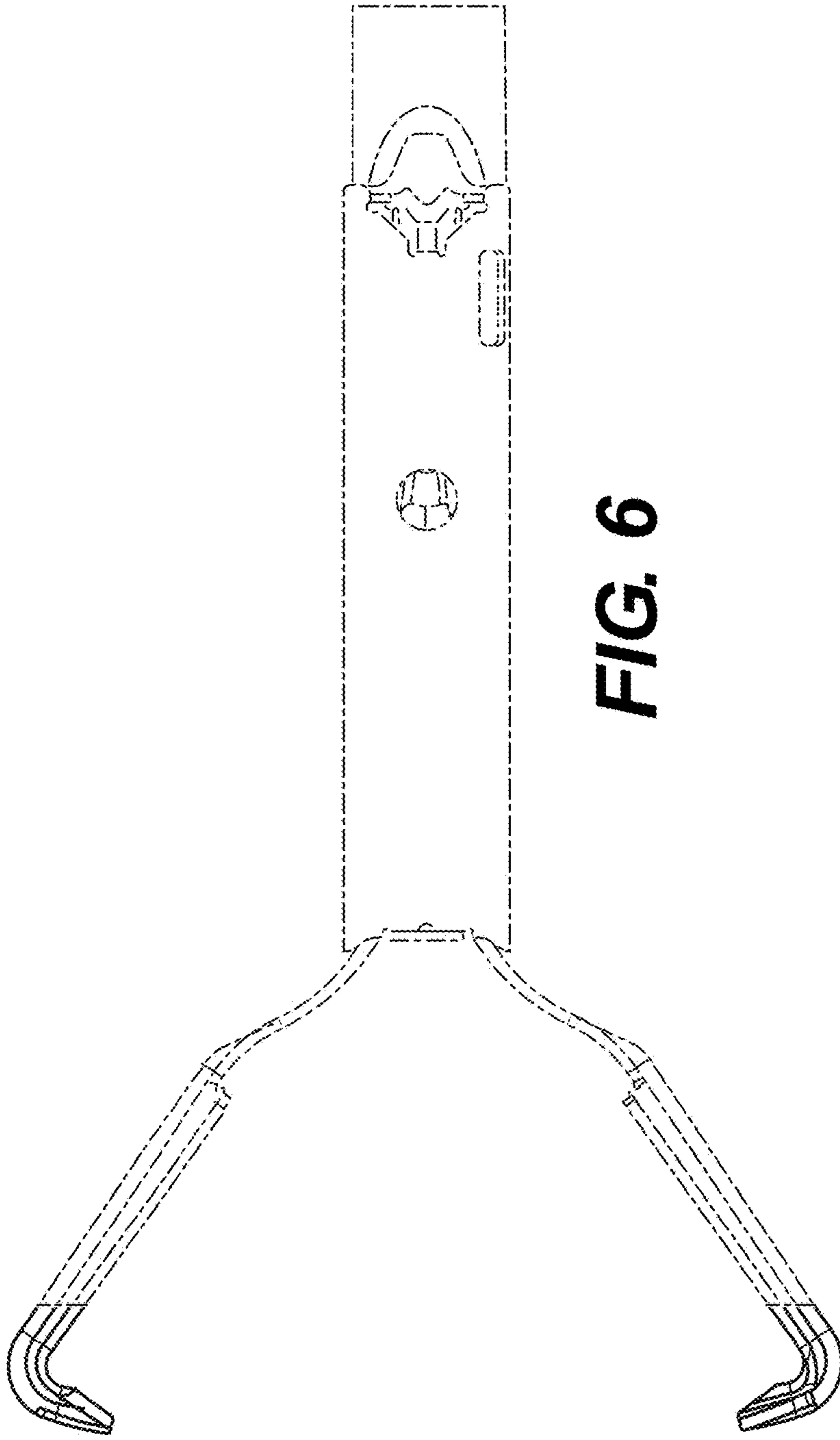


FIG. 6

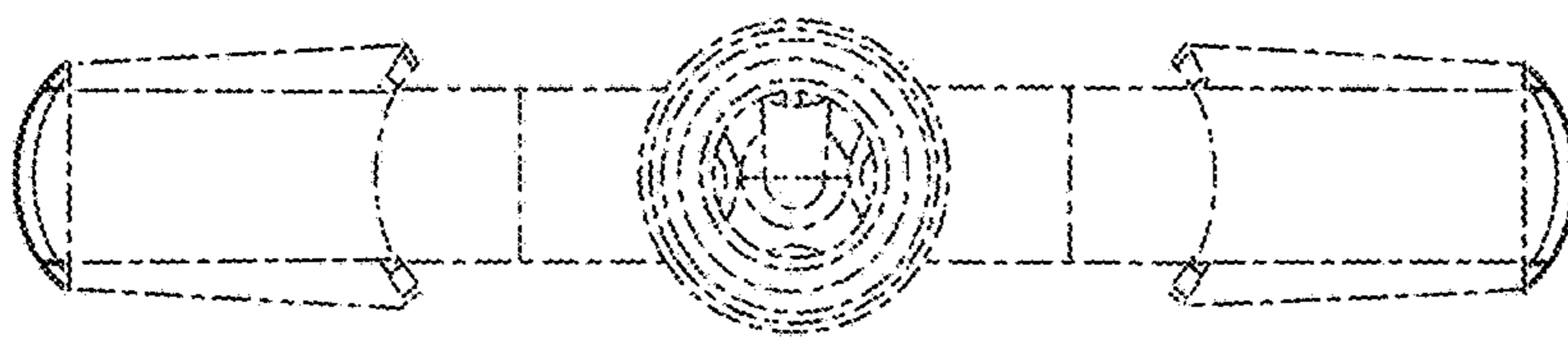


FIG. 5

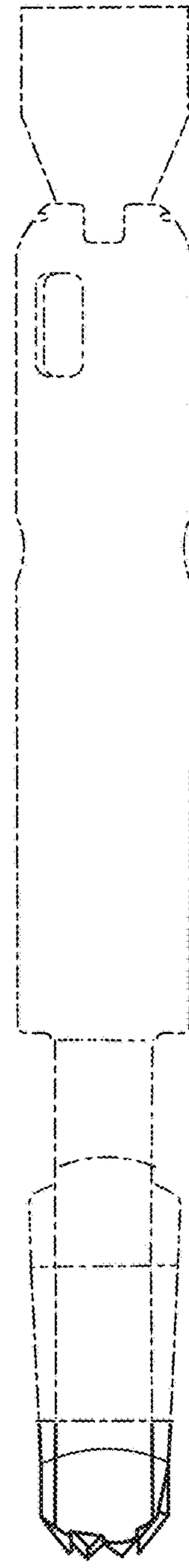


FIG. 7

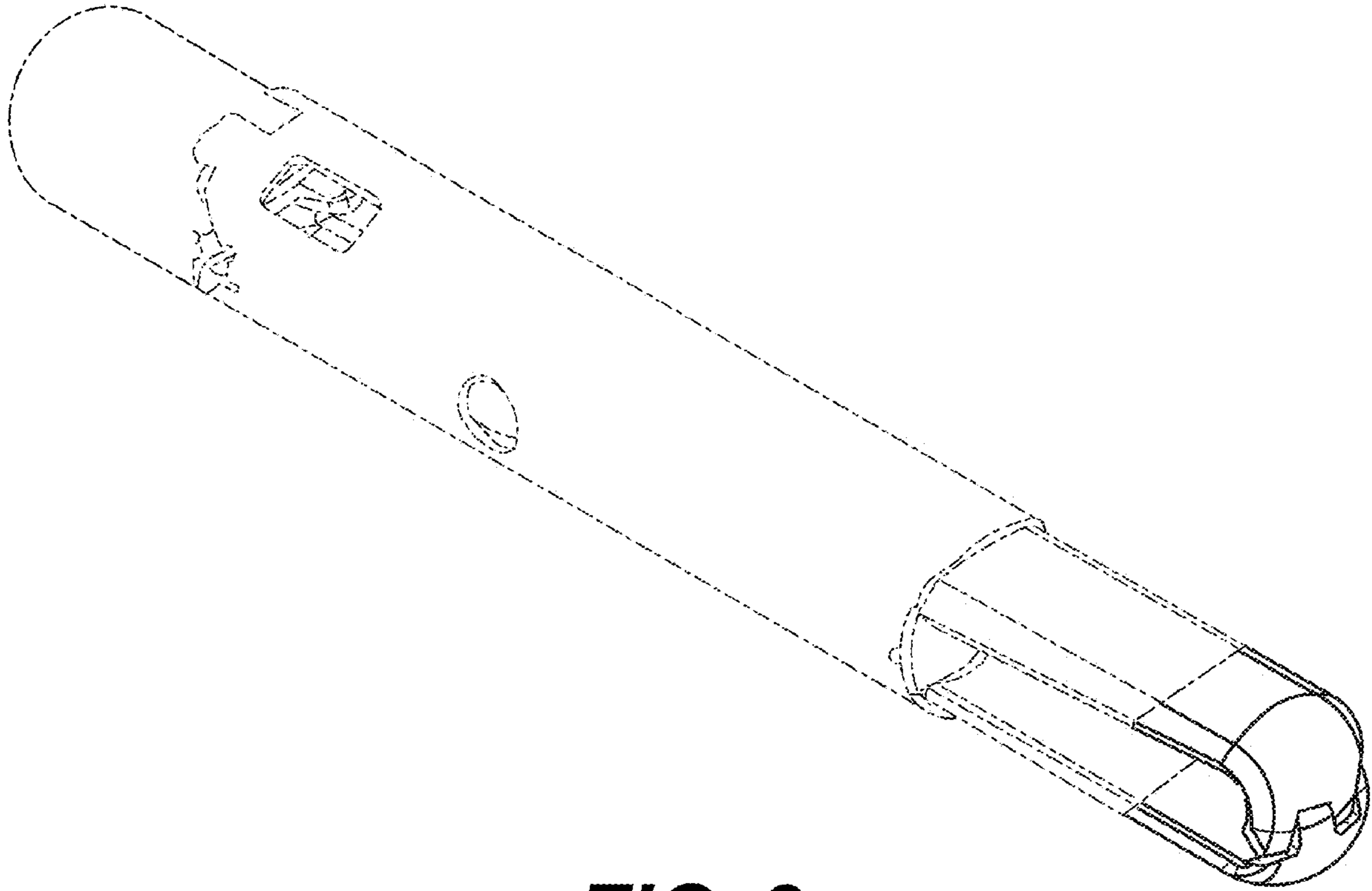


FIG. 8

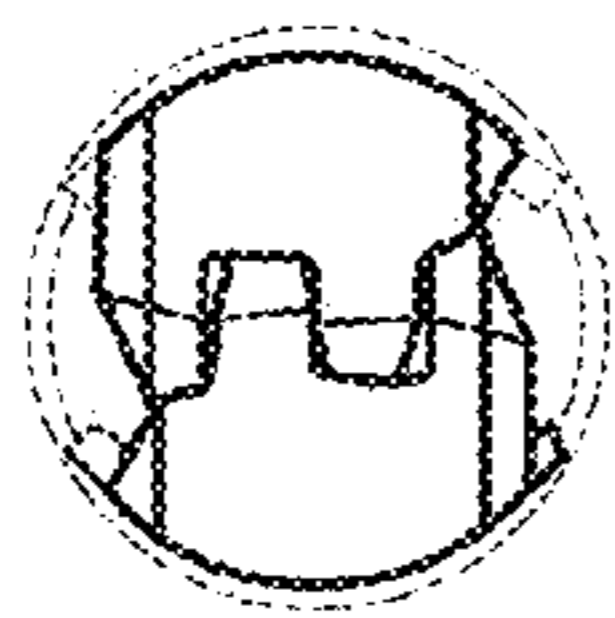


FIG. 9

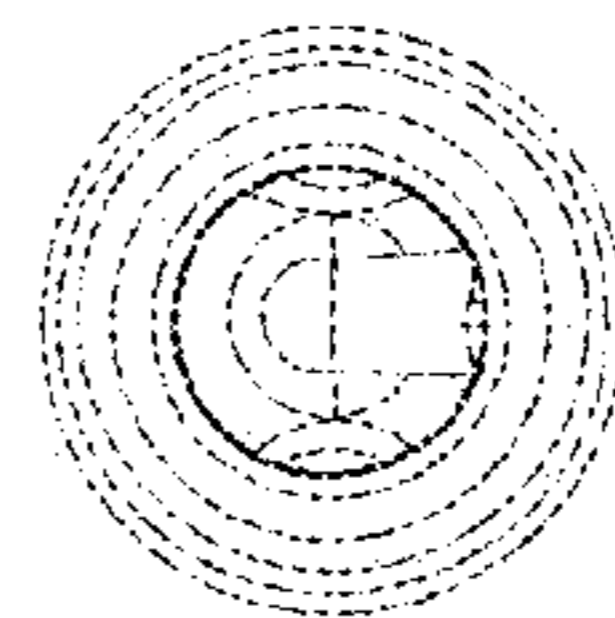


FIG. 10

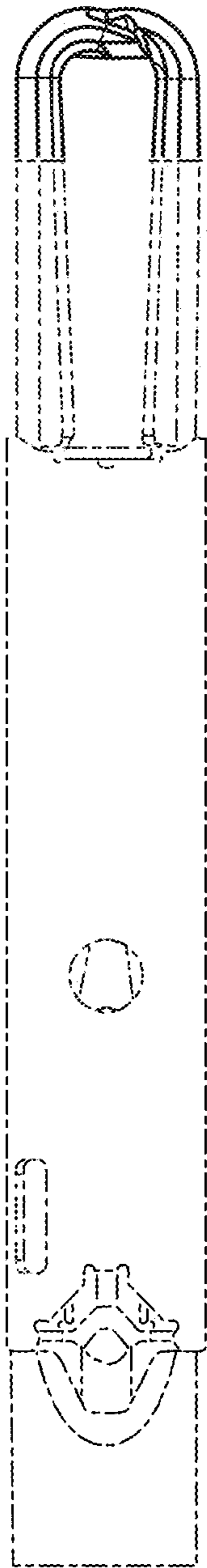


FIG. 11

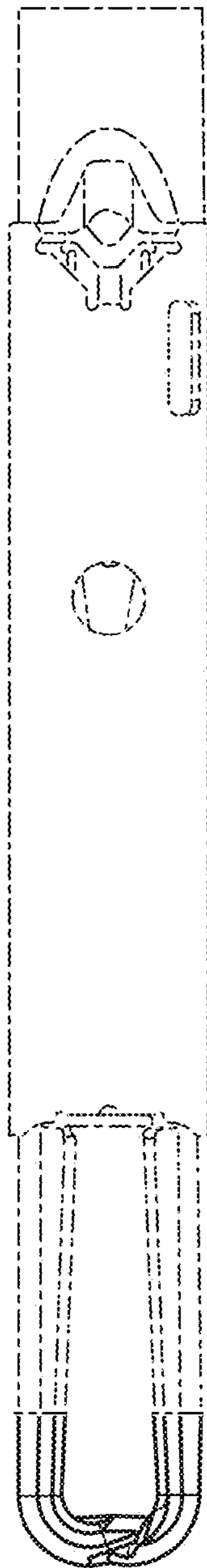


FIG. 12



FIG. 13



FIG. 14