



US00D959663S

(12) **United States Design Patent** (10) **Patent No.:** **US D959,663 S**  
**Sweitzer** (45) **Date of Patent:** **\*\* Aug. 2, 2022**

(54) **SURGICAL BLADE**  
(71) Applicant: **Shukla Medical**, St. Petersburg, FL (US)  
(72) Inventor: **Zachary Robert Sweitzer**, Keyport, NJ (US)  
(73) Assignee: **Shukla Medical**, St. Petersburg, FL (US)  
(\*\*) Term: **15 Years**  
(21) Appl. No.: **29/757,389**  
(22) Filed: **Nov. 5, 2020**  
(51) **LOC (13) Cl.** ..... **24-02**  
(52) **U.S. Cl.**  
USPC ..... **D24/146**  
(58) **Field of Classification Search**  
USPC ..... D28/56, 57, 59, 62, 44, 7, 9; D8/107, D8/14, 98-100, 300, 17, 20, 47, 98-99; D10/126; D23/223; D24/108, 112-115, D24/117-122, 127, 133, 146-149, 151, D24/172-176, 214, 231; D7/649, 669  
CPC ..... A61B 10/0266; A61B 17/3205; A61B 17/32053; A61B 2010/0208; A61B 2017/0076; A61B 2090/034; A61B 2090/0811; A61B 2017/00367; A61B 17/06; A61B 17/20; A61B 17/062; A61B 17/00; A61B 17/3211; A61B 2017/00761; A61B 2017/32113; A61B 2018/1422; A61B 5/6833; A61B 17/34; A61B 17/32; A61B 17/16; A61B 2018/00607; A61B 2018/00601; A61B 17/14; A61B 10/0275; A61B 2217/005; A61B 5/150213; A61B 5/150351; A61B 5/150352; A61B 90/11; A61M 37/00; A61M 16/0472; A61M 3/00; A61M 1/0039; A61M 1/0064; A61M 5/20; A61M 5/31; A61M 5/178; A61M 5/3129; A61M 5/3146; A61M 5/3148; A61M 5/3287; A61H 15/00; B26B 5/00; A61F 5/0106; A61F 5/0123  
See application file for complete search history.

(56) **References Cited**  
U.S. PATENT DOCUMENTS  
D290,651 S \* 6/1987 Pedone ..... D24/147  
D300,060 S \* 2/1989 Molgaard-Nielsen ..... D24/112  
D369,658 S \* 5/1996 Holt ..... D24/133  
D369,665 S \* 5/1996 Holt ..... D24/133  
D370,532 S \* 6/1996 Epstein ..... D24/146  
(Continued)

FOREIGN PATENT DOCUMENTS  
KR 301078017.0000 \* 1/2020

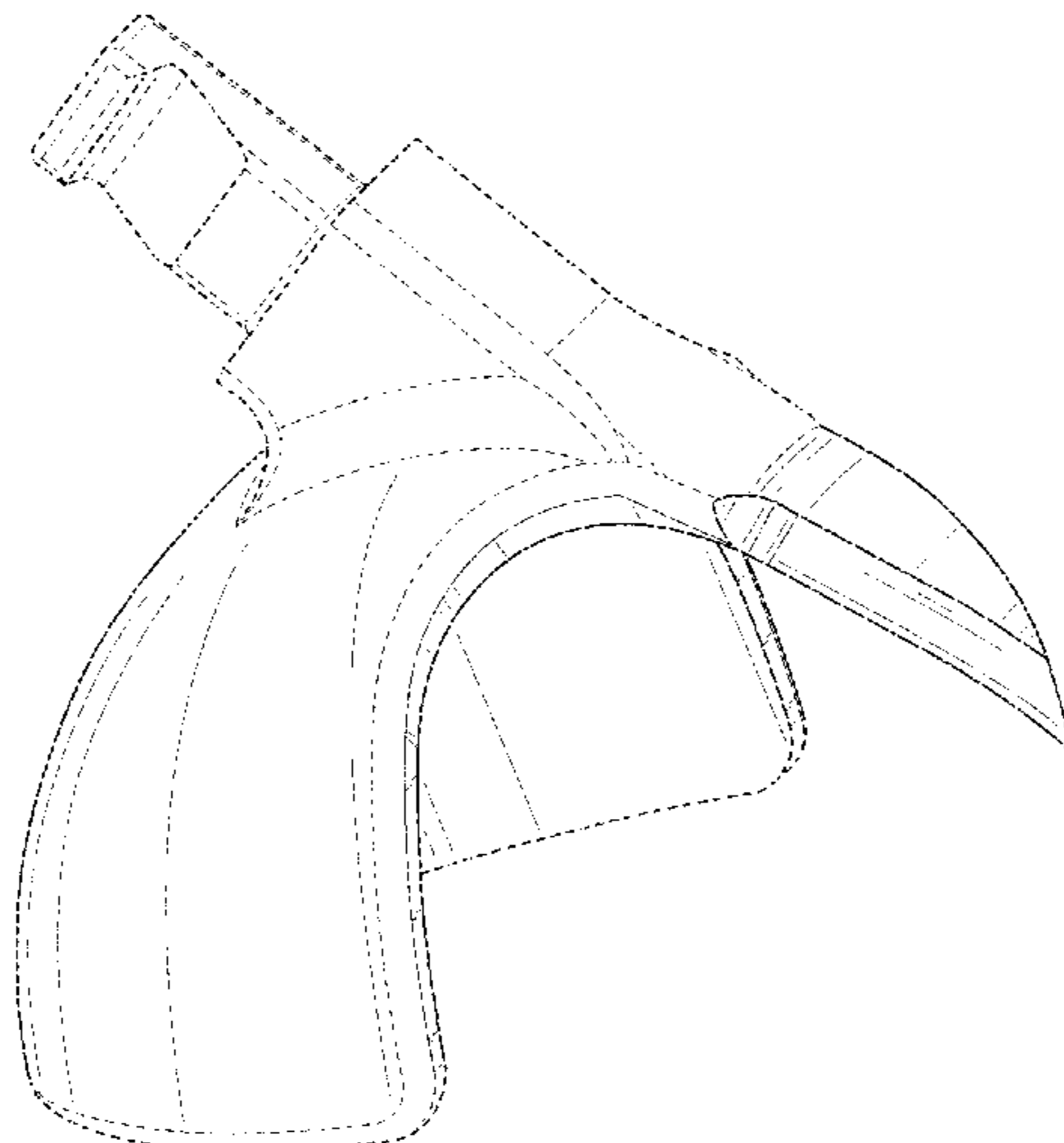
OTHER PUBLICATIONS  
DomeSaw®, matrixorthopedics.com, [online], [site visited Nov. 30, 2021], Available from internet URL: <http://www.matrixorthopedics.com/domesaw.php> (Year: 2021).\*

*Primary Examiner* — Samantha Q Lawrence  
*Assistant Examiner* — Holly M Rodriguez  
(74) *Attorney, Agent, or Firm* — Kim IP Law Group LLC

(57) **CLAIM**  
The ornamental design for a surgical blade, as shown and described.

**DESCRIPTION**  
FIG. 1 is a perspective view of a surgical blade in accordance with the new design;  
FIG. 2 is a front view of the surgical blade of FIG. 1;  
FIG. 3 is a rear view of the surgical blade of FIG. 1;  
FIG. 4 is a left side view of the surgical blade of FIG. 1;  
FIG. 5 is a right side view of the surgical blade of FIG. 1;  
FIG. 6 is a top view of the surgical blade of FIG. 1; and,  
FIG. 7 is a bottom view of the surgical blade of FIG. 1.  
In the drawings, the broken lines illustrate portions of the surgical blade that form no part of the claimed design.

**1 Claim, 7 Drawing Sheets**



(56)

**References Cited**

U.S. PATENT DOCUMENTS

6,056,764 A \* 5/2000 Smith ..... A61F 9/0133  
606/107  
D442,459 S \* 5/2001 Wilkinson ..... D15/139  
D483,489 S \* 12/2003 Scheller ..... D24/146  
D535,747 S \* 1/2007 Isogimi ..... D24/146  
D638,940 S \* 5/2011 Palmer ..... D24/146  
D679,397 S \* 4/2013 Packard ..... D24/146  
D753,826 S \* 4/2016 Eggeling ..... D24/147  
D788,303 S \* 5/2017 Yurek ..... D24/147  
D900,581 S \* 11/2020 Su ..... D8/88  
D928,318 S \* 8/2021 Sweitzer ..... D24/133  
D933,822 S \* 10/2021 Charbonneau ..... D24/147  
D936,224 S \* 11/2021 Ju ..... D24/146  
2018/0228476 A1 \* 8/2018 Cannon ..... A61B 10/0275

\* cited by examiner

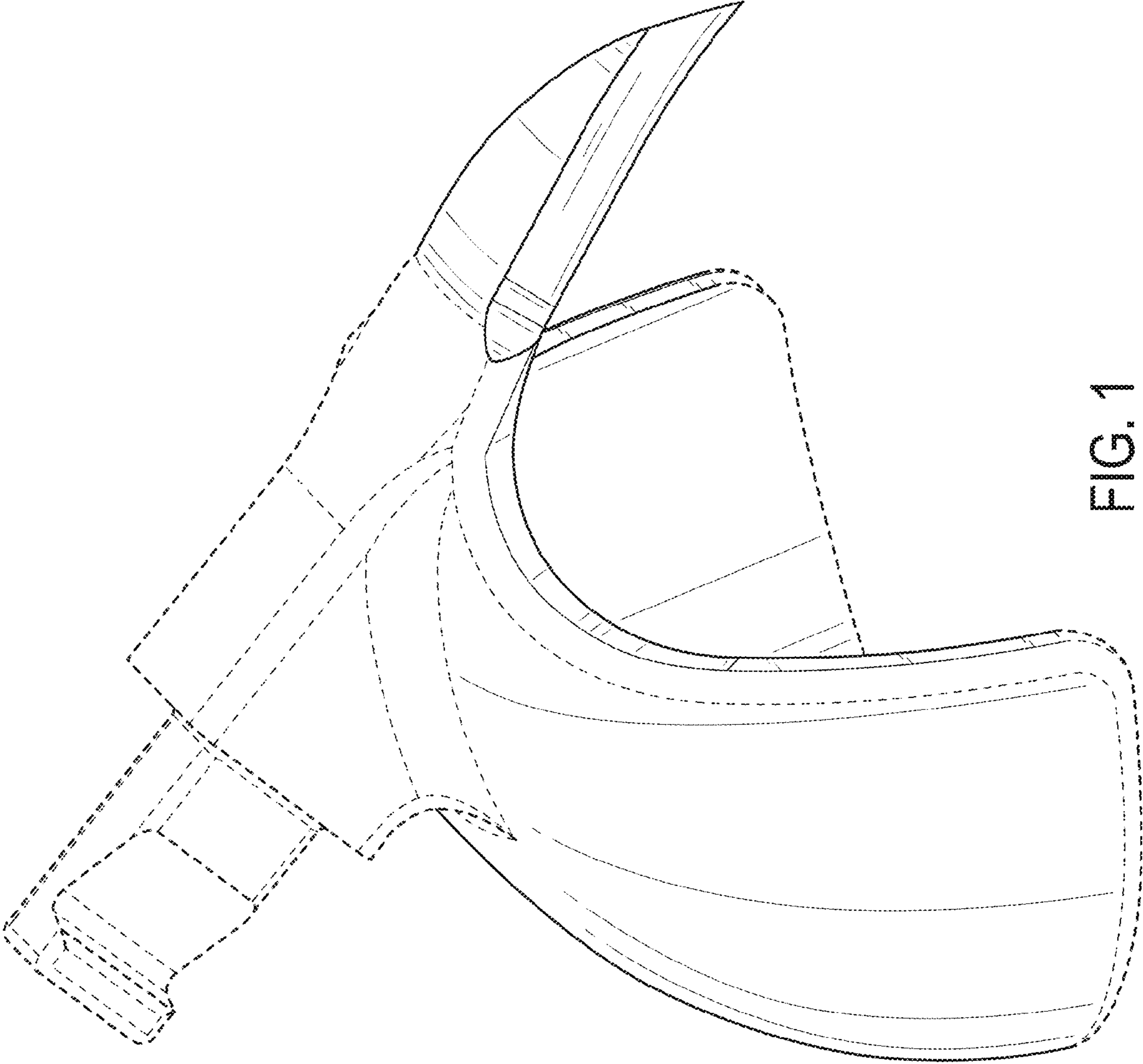


FIG. 1

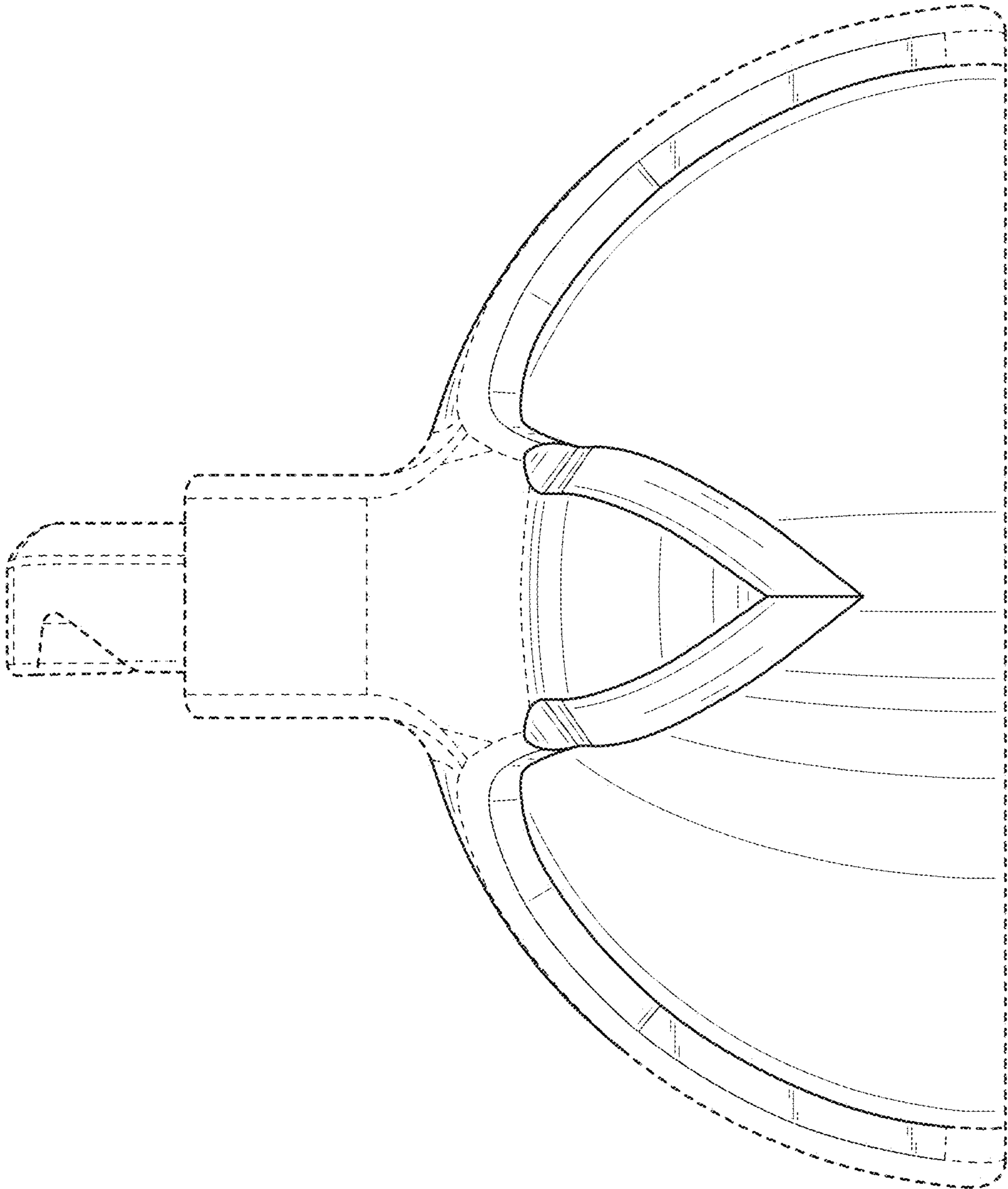


FIG. 2

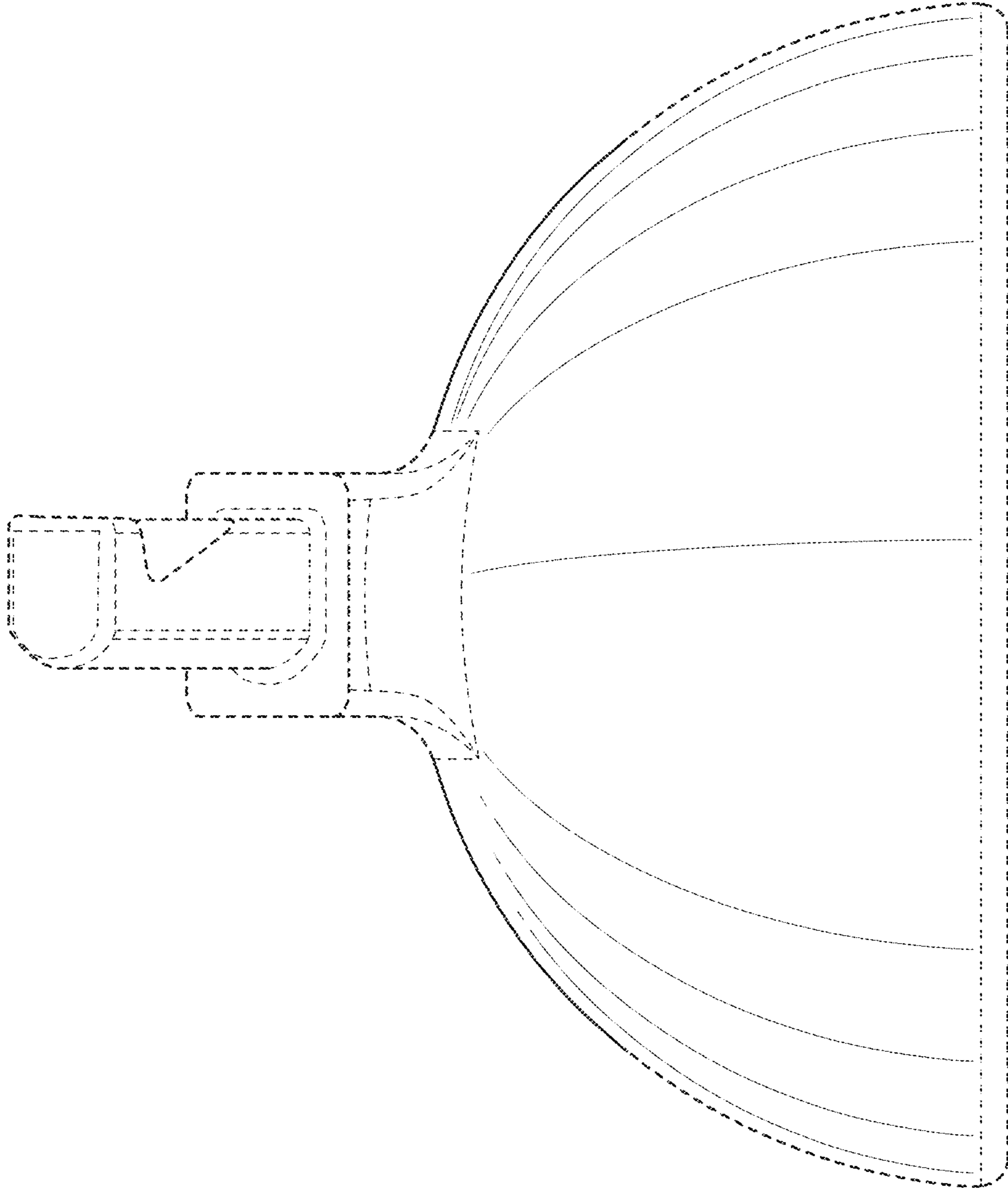


FIG. 3

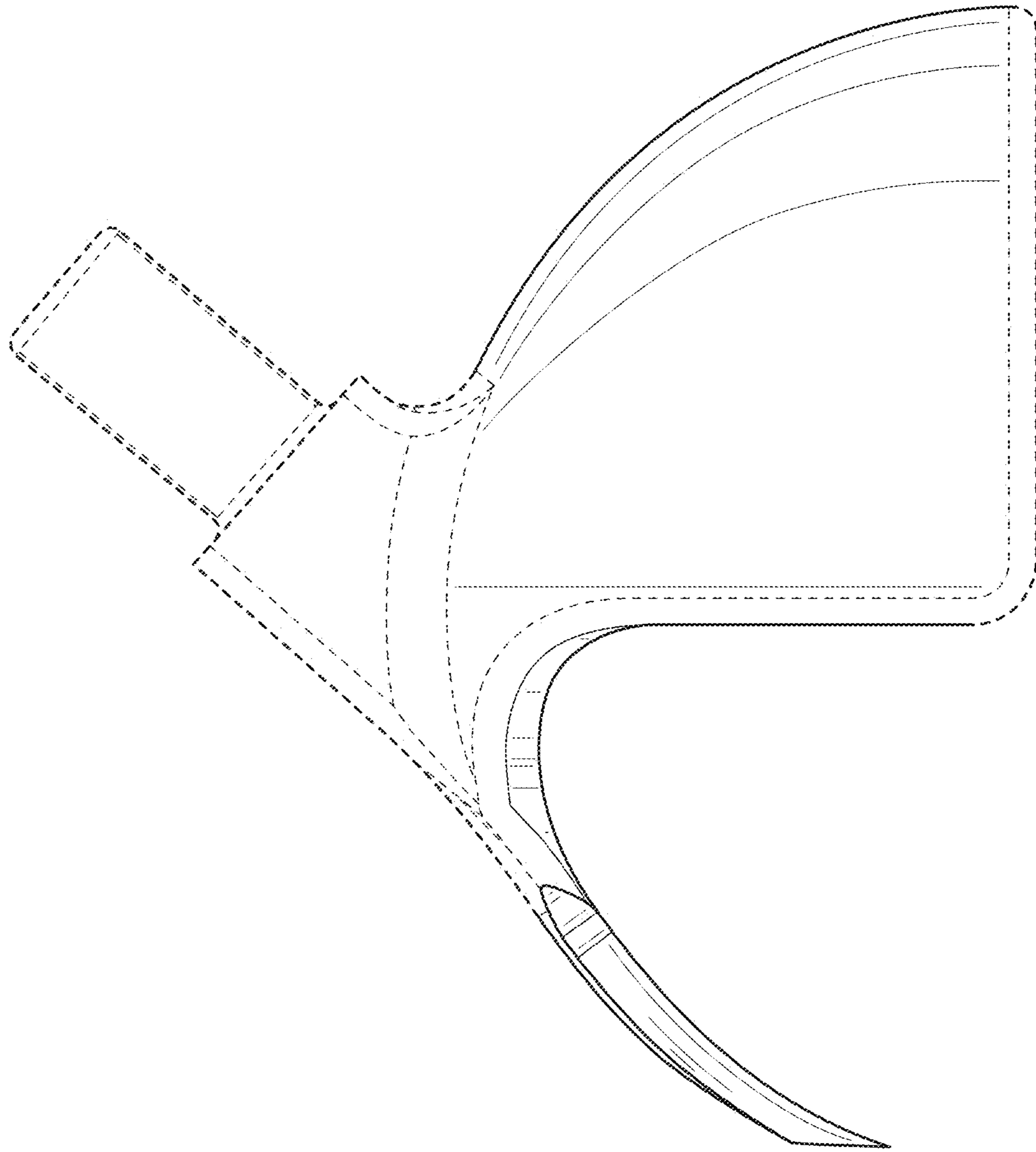


FIG. 4

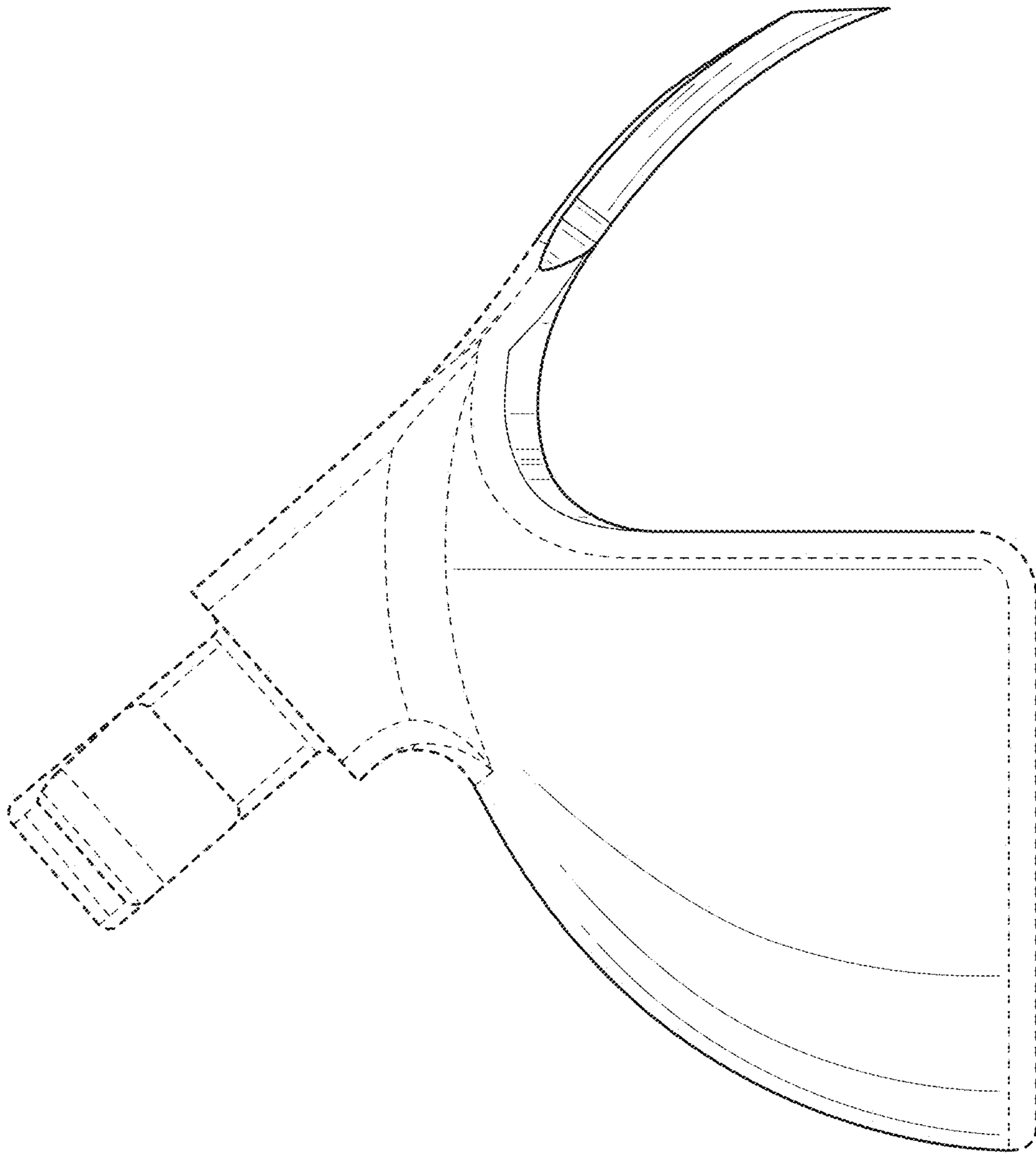


FIG. 5

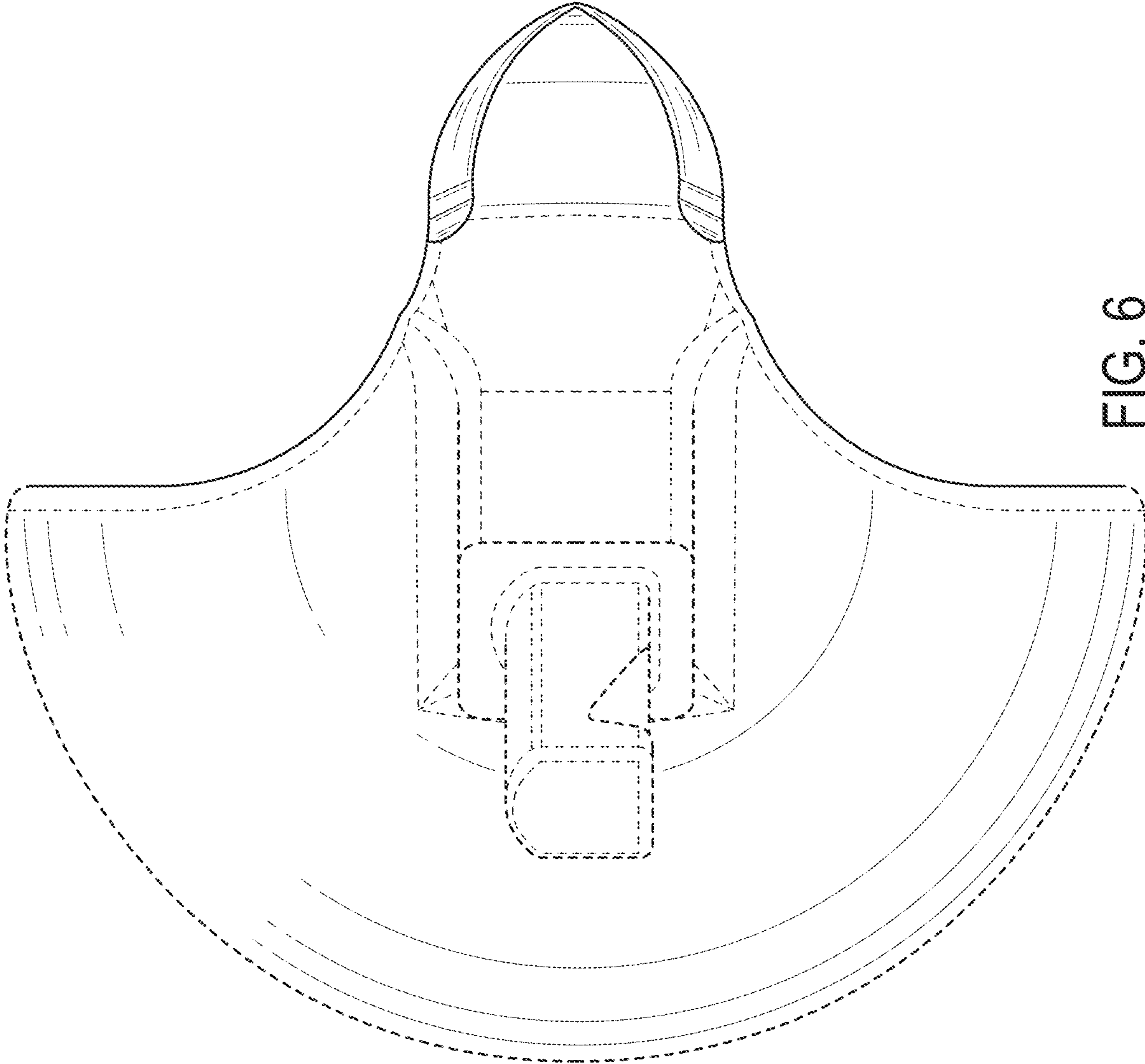


FIG. 6



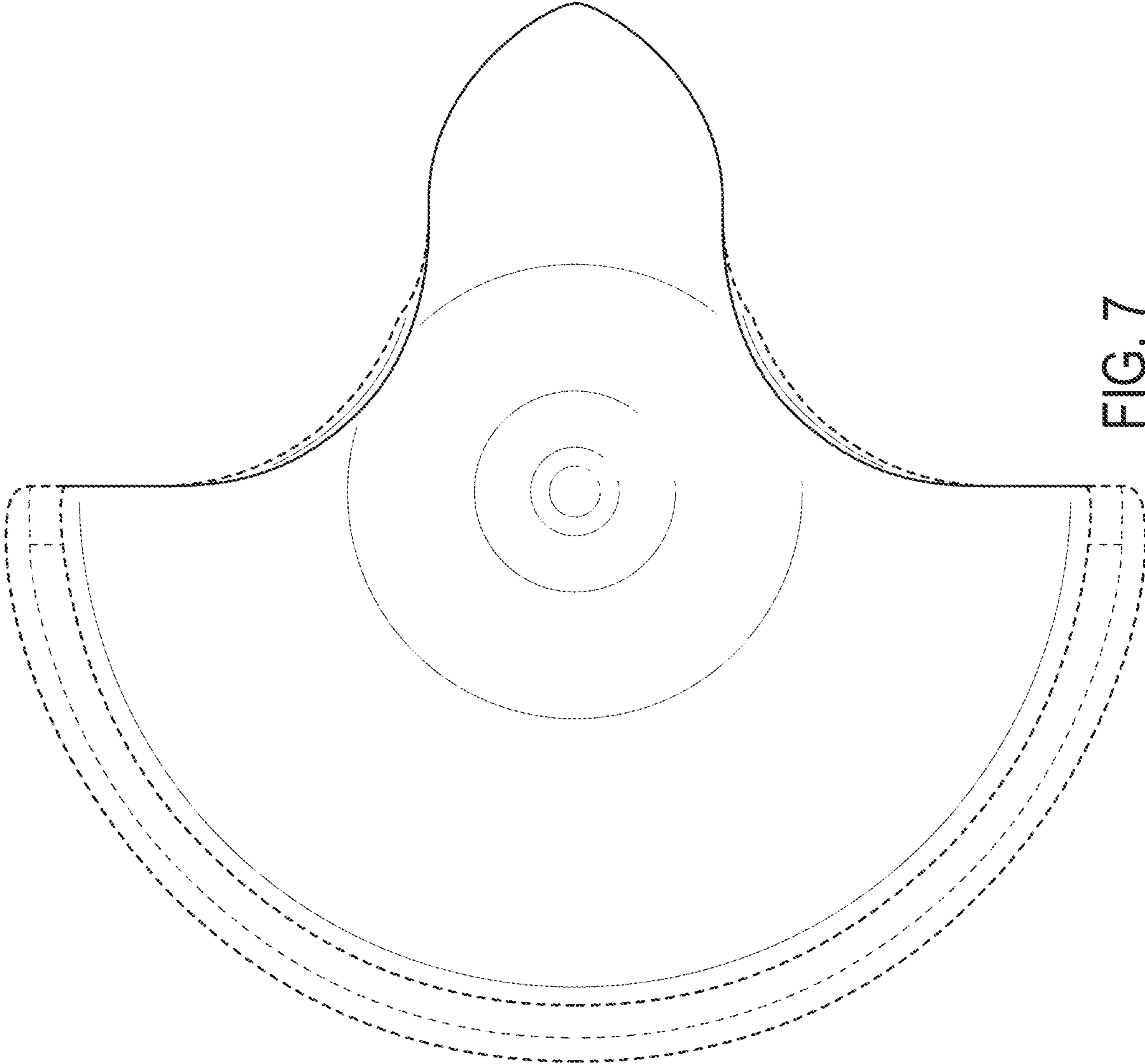


FIG. 7