



US00D959659S

(12) **United States Design Patent**  
**Siddiqui et al.**

(10) **Patent No.:** **US D959,659 S**

(45) **Date of Patent:** **\*\* Aug. 2, 2022**

(54) **IMPLANT RELEASE HANDLE**

(71) Applicant: **DePuy Synthes Products, Inc.**,  
Raynham, MA (US)

(72) Inventors: **Masood Siddiqui**, Raynham, MA (US);  
**Tyson Montidoro**, Raynham, MA (US);  
**Peter Forsythe**, Raynham, MA (US);  
**Juan Lorenzo**, Raynham, MA (US)

(73) Assignee: **DEPUY SYNTHES PRODUCTS, INC.**, Raynham, MA (US)

(\*\*) Term: **15 Years**

(21) Appl. No.: **29/690,775**

(22) Filed: **May 10, 2019**

(51) **LOC (13) Cl.** ..... **24-02**

(52) **U.S. Cl.**  
USPC ..... **D24/133**

(58) **Field of Classification Search**  
USPC ..... D24/133, 140, 146, 150, 155, 157, 113,  
D24/127; D8/308, 315, 316, 318, 319,  
D8/320  
CPC .... A61F 9/0017; A61F 9/00781; A61F 9/008;  
A61F 9/00709; A61F 9/00736; A61F 2/14  
See application file for complete search history.

(56) **References Cited**

**U.S. PATENT DOCUMENTS**

3,018,531 A 1/1962 Arsenault  
3,087,236 A 4/1963 Paytas  
D402,030 S \* 12/1998 Roberts ..... D24/144  
D402,031 S \* 12/1998 Roberts ..... D24/144  
(Continued)

**FOREIGN PATENT DOCUMENTS**

EP 2 366 364 A1 9/2011  
JP 1514152 S 12/2014  
(Continued)

**OTHER PUBLICATIONS**

US D855,181 S, 07/2019, Khan (withdrawn)\*

(Continued)

*Primary Examiner* — T Chase Nelson

*Assistant Examiner* — Kelly L Gross

(74) *Attorney, Agent, or Firm* — Troutman Pepper  
Hamilton Sanders LLP

(57) **CLAIM**

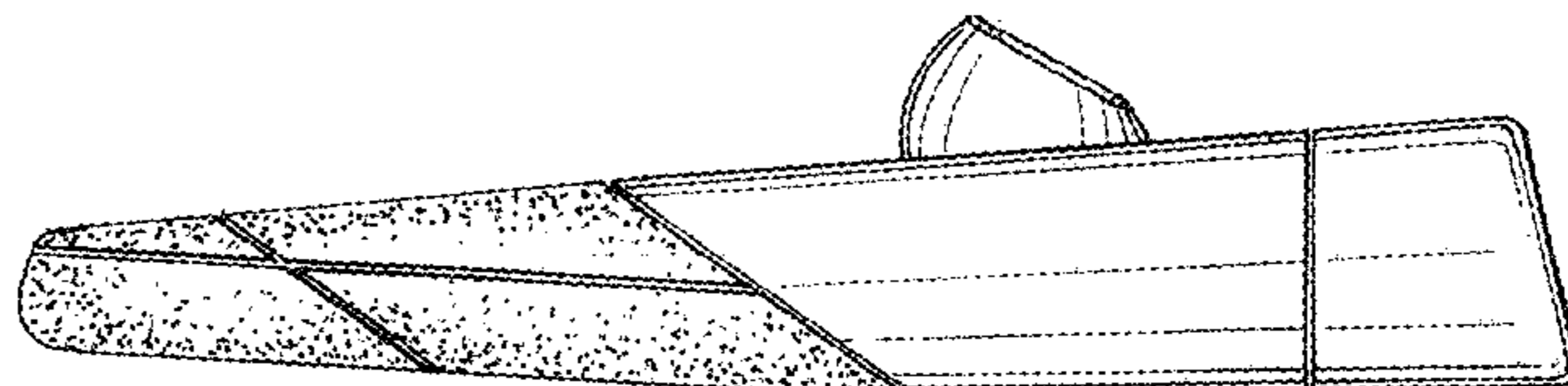
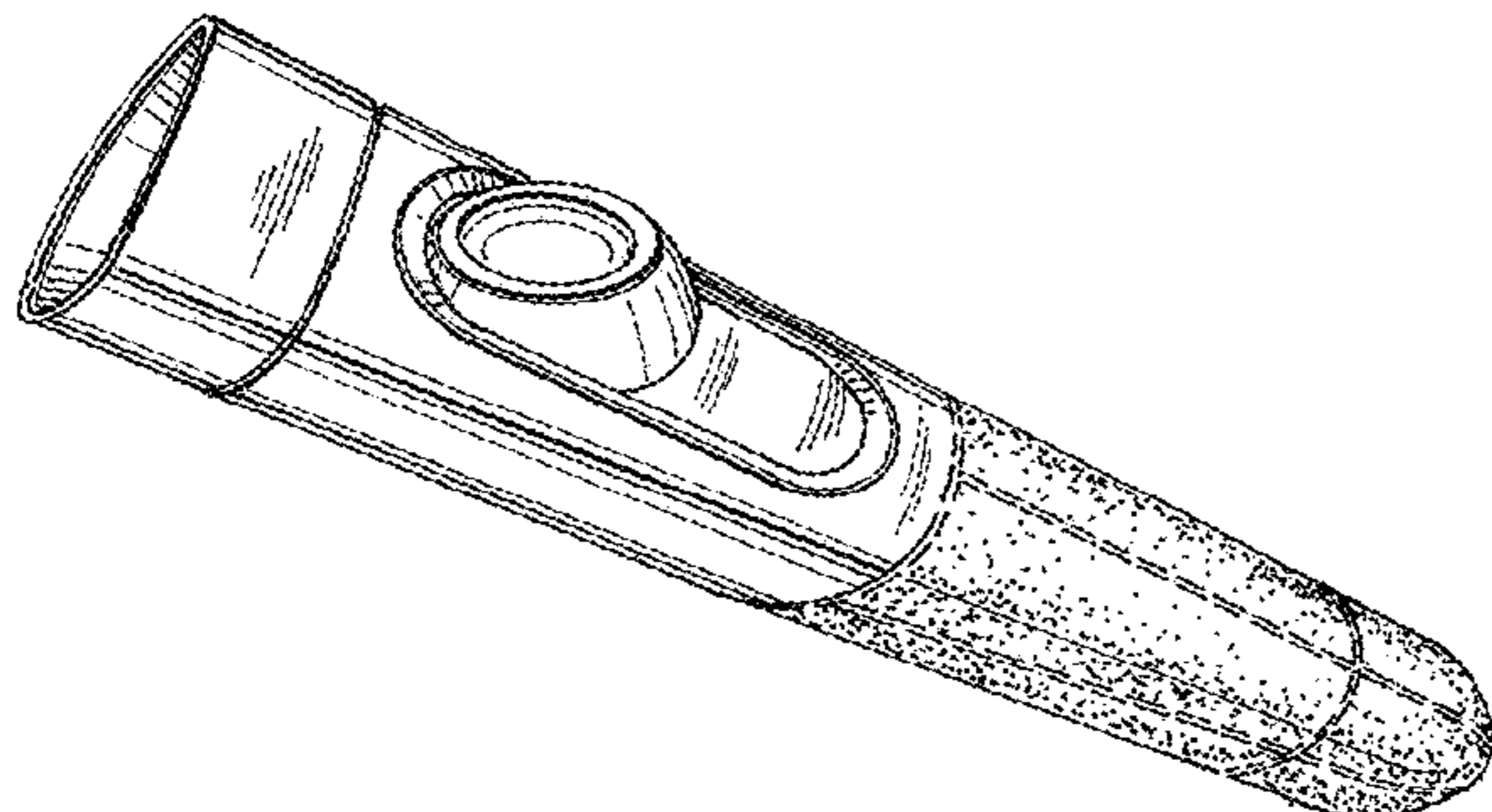
The ornamental design for an implant release handle, as shown and described.

**DESCRIPTION**

FIG. 1 is a perspective view of the implant release handle showing the new design; FIG. 2 is a top view of FIG. 1; FIG. 3 is a right profile view of FIG. 1; FIG. 4 is a left profile view of FIG. 1; FIG. 5 is a front view of FIG. 1; FIG. 6 is a rear view of FIG. 1; FIG. 7 is a bottom view of FIG. 1; FIG. 8 is a perspective view of another embodiment of an implant release handle showing the new design; FIG. 9 is a top view of FIG. 8; FIG. 10 is a right profile view FIG. 8; FIG. 11 is a left profile view FIG. 8; FIG. 12 is a front view of FIG. 8; FIG. 13 is a rear view of FIG. 8; and, FIG. 14 is a bottom view of FIG. 8.

The broken lines in these drawings illustrate environmental features only and form no part of the claimed design. The shade lines shown represent surface shading and not surface ornamentation, color, or material type. Where different types of surface shading are employed, they represent a surface contrast.

**1 Claim, 4 Drawing Sheets**





(56)

References Cited

U.S. PATENT DOCUMENTS

D439,336 S *	3/2001	Najmi	D19/902	D779,053 S *	2/2017	Kobida	D24/108
6,360,430 B1	3/2002	Stepan		D780,306 S *	2/2017	Bow	D24/112
6,391,037 B1	5/2002	Greenhalgh		9,561,125 B2	2/2017	Bowman et al.	
D463,555 S *	9/2002	Etter	D24/143	9,572,982 B2	2/2017	Burnes et al.	
D469,870 S *	2/2003	Niermann	D24/112	9,579,104 B2	2/2017	Beckham et al.	
D483,475 S *	12/2003	Kirwan	D24/108	9,579,484 B2	2/2017	Barnell	
D490,152 S *	5/2004	Myall	D24/133	9,585,642 B2	3/2017	Dinsmoor et al.	
D492,995 S *	7/2004	Rue	D24/113	9,592,151 B2 *	3/2017	Rangel-Friedman	
6,773,448 B2	8/2004	Kusleika et al.					A61F 9/00781
D496,730 S *	9/2004	Morawski	A61B 17/3211 D24/133	9,615,832 B2	4/2017	Bose et al.	
6,849,081 B2	2/2005	Sepetka et al.		9,615,951 B2	4/2017	Bennett et al.	
D530,680 S *	10/2006	Fox	D13/168	9,622,753 B2	4/2017	Cox	
7,147,618 B2	12/2006	Kurz		9,636,115 B2	5/2017	Henry et al.	
D535,026 S *	1/2007	Griffin	A61B 17/3211 D24/146	9,636,439 B2	5/2017	Chu et al.	
D537,528 S *	2/2007	Christensen	A61B 17/3211 D24/147	9,642,675 B2	5/2017	Werneth et al.	
D568,475 S *	5/2008	Sandel	D24/147	9,655,633 B2	5/2017	Leynov et al.	
D571,010 S *	6/2008	Cote	A61B 17/3211 D24/147	9,655,645 B2	5/2017	Staunton	
7,419,498 B2	9/2008	Opolski et al.		9,655,989 B2	5/2017	Cruise et al.	
D586,916 S *	2/2009	Faulkner	D24/146	9,662,129 B2	5/2017	Galdonik et al.	
D598,070 S *	8/2009	Sneddon	D23/228	9,662,238 B2	5/2017	Dwork et al.	
D612,051 S *	3/2010	Ruf	D24/146	9,662,425 B2	5/2017	Lilja et al.	
D616,095 S *	5/2010	Kim	D24/140	D789,453 S *	6/2017	Walker	D19/180
D621,042 S *	8/2010	Ruf	D24/146	9,668,898 B2	6/2017	Wong	
7,785,361 B2	8/2010	Nikolchev et al.		9,675,477 B2	6/2017	Thompson	
D628,293 S *	11/2010	Ruf	D24/146	9,675,782 B2	6/2017	Connolly	
D628,695 S *	12/2010	Ruf	D24/146	9,676,022 B2	6/2017	Ensign et al.	
D634,843 S *	3/2011	Kim	D24/140	9,692,557 B2	6/2017	Murphy	
7,942,894 B2	5/2011	West		D791,318 S *	7/2017	Jutila	D24/141
D655,406 S *	3/2012	Ma	D24/112	9,693,852 B2	7/2017	Lam et al.	
8,151,425 B2	4/2012	Cossart		9,700,262 B2	7/2017	Janik et al.	
D665,909 S *	8/2012	Dodd	D24/146	9,700,322 B2	7/2017	Dias et al.	
D677,380 S *	3/2013	Julian	D24/113	9,700,399 B2	7/2017	Acosta-Acevedo	
D678,512 S *	3/2013	Bow	D24/112	D794,192 S *	8/2017	Schuerg	D24/144
D679,014 S *	3/2013	Jayaraj	D24/144	D794,193 S *	8/2017	Schuerg	D24/144
D685,092 S *	6/2013	Morawski	A61B 17/3211 D24/147	D794,194 S *	8/2017	Schuerg	D24/144
D703,707 S *	4/2014	Foster	D15/123	D794,790 S *	8/2017	Shi	D24/146
D719,255 S *	12/2014	Ohashi	D24/112	D795,424 S *	8/2017	Sloss	D24/138
D719,651 S *	12/2014	Hoffmann	D24/133	9,717,421 B2	8/2017	Griswold et al.	
8,911,487 B2	12/2014	Bennett et al.		9,717,500 B2	8/2017	Tieu et al.	
D736,923 S *	8/2015	Snow	D24/146	9,717,502 B2	8/2017	Teoh et al.	
D737,440 S *	8/2015	Shabaz	D24/146	9,717,627 B2 *	8/2017	Kuzma	A61F 9/0017
D739,020 S *	9/2015	Kumar	D24/147	9,724,103 B2	8/2017	Cruise et al.	
D740,422 S *	10/2015	Herfort	D24/147	9,724,526 B2	8/2017	Strother et al.	
D740,630 S *	10/2015	Hasenmayer	D8/30	9,750,565 B2	9/2017	Bloom et al.	
D741,483 S *	10/2015	Solingen	D24/146	9,757,260 B2	9/2017	Greenan	
9,173,771 B2 *	11/2015	Keller	A61B 18/08	9,764,111 B2	9/2017	Gulachenski	
D744,638 S *	12/2015	Bow	D24/112	9,770,251 B2	9/2017	Bowman et al.	
9,232,992 B2	1/2016	Heidner		9,770,577 B2	9/2017	Li et al.	
D749,717 S *	2/2016	Kobida	D24/108	D799,040 S *	10/2017	Melnikoff	D24/152
D753,301 S *	4/2016	Fiksen	D24/144	9,775,621 B2	10/2017	Tompkins et al.	
D755,383 S *	5/2016	Pfister	D24/144	9,775,706 B2	10/2017	Peterson et al.	
D759,246 S *	6/2016	Allen	D24/146	9,775,732 B2	10/2017	Khenansho	
D765,841 S *	9/2016	Schuerg	D24/144	9,788,800 B2	10/2017	Mayoras, Jr.	
D765,842 S *	9/2016	Schuerg	D24/144	9,795,391 B2	10/2017	Saatchi et al.	
D766,432 S *	9/2016	Schuerg	D24/144	9,801,980 B2	10/2017	Karino et al.	
D767,760 S *	9/2016	Suwito	A61B 17/295 D24/141	D802,769 S *	11/2017	Robertson	D24/167
D770,044 S *	10/2016	Fiksen	D24/144	9,808,599 B2	11/2017	Bowman et al.	
D770,618 S *	11/2016	Fiksen	D24/144	D806,230 S *	12/2017	Johnson	D24/112
9,532,792 B2	1/2017	Galdonik et al.		9,833,252 B2	12/2017	Sepetka et al.	
9,532,873 B2	1/2017	Kelley		9,833,604 B2	12/2017	Lam et al.	
9,533,344 B2	1/2017	Monetti et al.		9,833,625 B2	12/2017	Waldhauser et al.	
9,539,011 B2	1/2017	Chen et al.		D818,584 S *	5/2018	Lee	D24/133
9,539,022 B2	1/2017	Bowman		D828,548 S *	9/2018	Bow	D24/112
9,539,122 B2	1/2017	Burke et al.		D834,702 S *	11/2018	Evans	D24/110
9,539,382 B2	1/2017	Nelson		D837,975 S *	1/2019	Protasiewicz	D24/113
9,549,830 B2	1/2017	Bruszewski et al.		D838,360 S *	1/2019	Protasiewicz	D24/113
9,554,805 B2	1/2017	Tompkins et al.		D839,417 S *	1/2019	Funakoshi	D24/113
9,554,940 B2 *	1/2017	Haffner	A61F 2/14	D841,164 S *	2/2019	Flowers	D24/150
				D844,784 S *	4/2019	Swick	D24/147
				D846,738 S *	4/2019	Kalina, Jr.	D24/133
				D847,334 S *	4/2019	Amano	D24/133
				10,278,720 B2 *	5/2019	Marczyk	A61B 17/295
				D851,755 S *	6/2019	Nazzaro	D24/114
				D861,864 S *	10/2019	Amano	D24/133
				D879,960 S *	3/2020	Melnikoff	D24/152
				10,780,218 B2 *	9/2020	Novakovic	A61M 5/158
				D901,683 S *	11/2020	Kalina, Jr.	D24/133
				D903,100 S *	11/2020	Stats	D24/112



(56)

References Cited

U.S. PATENT DOCUMENTS

D910,836 S \* 2/2021 Sandberg ..... A61F 9/00781  
 D24/112  
 D911,521 S \* 2/2021 Swift ..... D24/135  
 2003/0083613 A1 5/2003 Schaer  
 2005/0070820 A1 3/2005 Boutillette et al.  
 2006/0064151 A1 3/2006 Guterman  
 2007/0179520 A1 8/2007 West  
 2008/0281350 A1 11/2008 Sepetka  
 2010/0324649 A1 12/2010 Mattsson et al.  
 2011/0238147 A1 9/2011 Bennett et al.  
 2012/0029607 A1 2/2012 McHugo et al.  
 2012/0283768 A1 11/2012 Cox et al.  
 2013/0048338 A1 2/2013 Suzuki et al.  
 2013/0087596 A1 4/2013 Fontayne et al.  
 2014/0135812 A1 5/2014 Divino et al.  
 2014/0200607 A1 7/2014 Sepetka et al.  
 2017/0007264 A1 1/2017 Cruise et al.  
 2017/0007265 A1 1/2017 Guo et al.  
 2017/0020670 A1 1/2017 Murray et al.  
 2017/0020700 A1 1/2017 Bienvenu et al.  
 2017/0027640 A1 2/2017 Kunis et al.  
 2017/0027692 A1 2/2017 Bonhoeffer et al.  
 2017/0027725 A1 2/2017 Argentine  
 2017/0035436 A1 2/2017 Morita  
 2017/0035567 A1 2/2017 Duffy  
 2017/0042548 A1 2/2017 Lam  
 2017/0049596 A1 2/2017 Schabert  
 2017/0071737 A1 3/2017 Kelley  
 2017/0072452 A1 3/2017 Monetti et al.  
 2017/0079671 A1 3/2017 Morero et al.  
 2017/0079680 A1 3/2017 Bowman  
 2017/0079766 A1 3/2017 Wang et al.  
 2017/0079767 A1 3/2017 Leon-Yip  
 2017/0079812 A1 3/2017 Lam et al.  
 2017/0079817 A1 3/2017 Sepetka et al.  
 2017/0079819 A1 3/2017 Pung et al.  
 2017/0079820 A1 3/2017 Lam et al.  
 2017/0086851 A1 3/2017 Wallace et al.  
 2017/0086996 A1 3/2017 Peterson et al.  
 2017/0095259 A1 4/2017 Tompkins et al.  
 2017/0100126 A1 4/2017 Bowman et al.  
 2017/0100141 A1 4/2017 Morero et al.  
 2017/0100143 A1 4/2017 Granfield  
 2017/0100183 A1 4/2017 Iaizzo et al.  
 2017/0113023 A1 4/2017 Steingisser  
 2017/0147765 A1 5/2017 Mehta  
 2017/0151032 A1 6/2017 Loisel  
 2017/0165062 A1 6/2017 Rothstein  
 2017/0165065 A1 6/2017 Rothstein et al.  
 2017/0165454 A1 6/2017 Tuohy et al.  
 2017/0172581 A1 6/2017 Bose et al.  
 2017/0172766 A1 6/2017 Vong et al.

2017/0172772 A1 6/2017 Khenansho  
 2017/0189033 A1 7/2017 Sepetka et al.  
 2017/0189035 A1 7/2017 Porter  
 2017/0215902 A1 8/2017 Leynov et al.  
 2017/0216484 A1 8/2017 Cruise et al.  
 2017/0224350 A1 8/2017 Shimizu et al.  
 2017/0224355 A1 8/2017 Bowman et al.  
 2017/0224467 A1 8/2017 Piccagli et al.  
 2017/0224511 A1 8/2017 Dwork et al.  
 2017/0224953 A1 8/2017 Tran et al.  
 2017/0231749 A1 8/2017 Perkins et al.  
 2017/0252064 A1 9/2017 Staunton  
 2017/0265983 A1 9/2017 Lam et al.  
 2017/0281192 A1 10/2017 Tieu et al.  
 2017/0281331 A1 10/2017 Perkins et al.  
 2017/0281344 A1 10/2017 Costello  
 2017/0281909 A1 10/2017 Northrop et al.  
 2017/0281912 A1 10/2017 Melder et al.  
 2017/0290593 A1 10/2017 Cruise et al.  
 2017/0290654 A1 10/2017 Sethna  
 2017/0296324 A1 10/2017 Argentine  
 2017/0296325 A1 10/2017 Marrocco et al.  
 2017/0303939 A1 10/2017 Greenhalgh et al.  
 2017/0303942 A1 10/2017 Greenhalgh et al.  
 2017/0303947 A1 10/2017 Greenhalgh et al.  
 2017/0303948 A1 10/2017 Wallace et al.  
 2017/0304041 A1 10/2017 Argentine  
 2017/0304097 A1 10/2017 Corwin et al.  
 2017/0304595 A1 10/2017 Nagasrinivasa et al.  
 2017/0312109 A1 11/2017 Le  
 2017/0312484 A1 11/2017 Shipley et al.  
 2017/0316561 A1 11/2017 Helm et al.  
 2017/0319826 A1 11/2017 Bowman et al.  
 2017/0333228 A1 11/2017 Orth et al.  
 2017/0333236 A1 11/2017 Greenan  
 2017/0333678 A1 11/2017 Bowman et al.  
 2017/0340383 A1 11/2017 Bloom et al.  
 2017/0348014 A1 12/2017 Wallace et al.  
 2017/0348514 A1 12/2017 Guyon et al.  
 2017/0367857 A1 12/2017 Bennett et al.

FOREIGN PATENT DOCUMENTS

JP 1557500 S 8/2016  
 JP 1677819 S 1/2021  
 WO WO 98/11846 A1 3/1998

OTHER PUBLICATIONS

Notification issued in corresponding Japanese Patent Design Application No. 2020-010655 dated Feb. 24, 2021, with English translation.

\* cited by examiner

FIG. 1

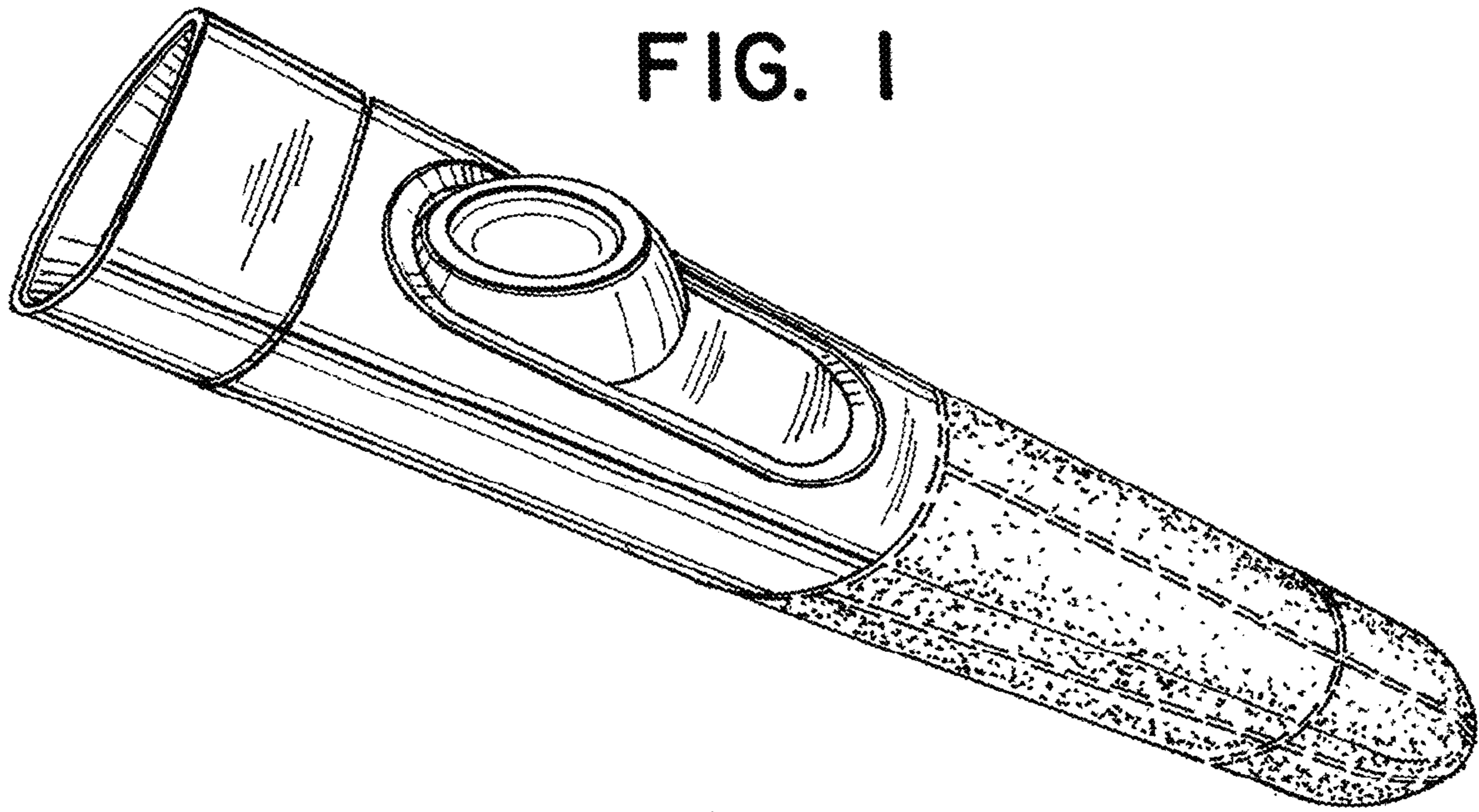


FIG. 2

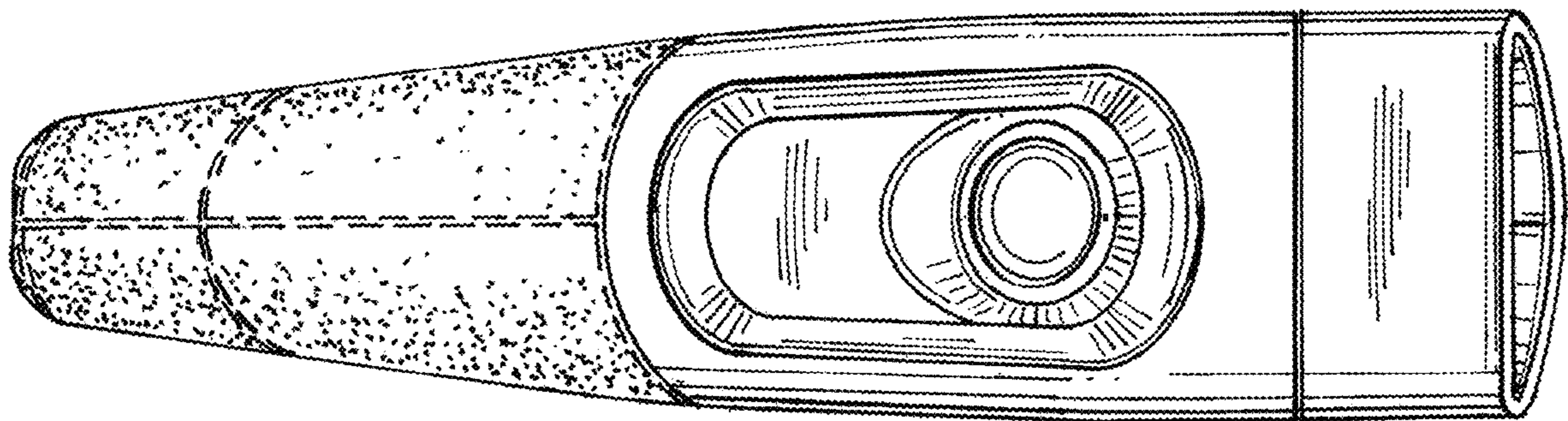


FIG. 3

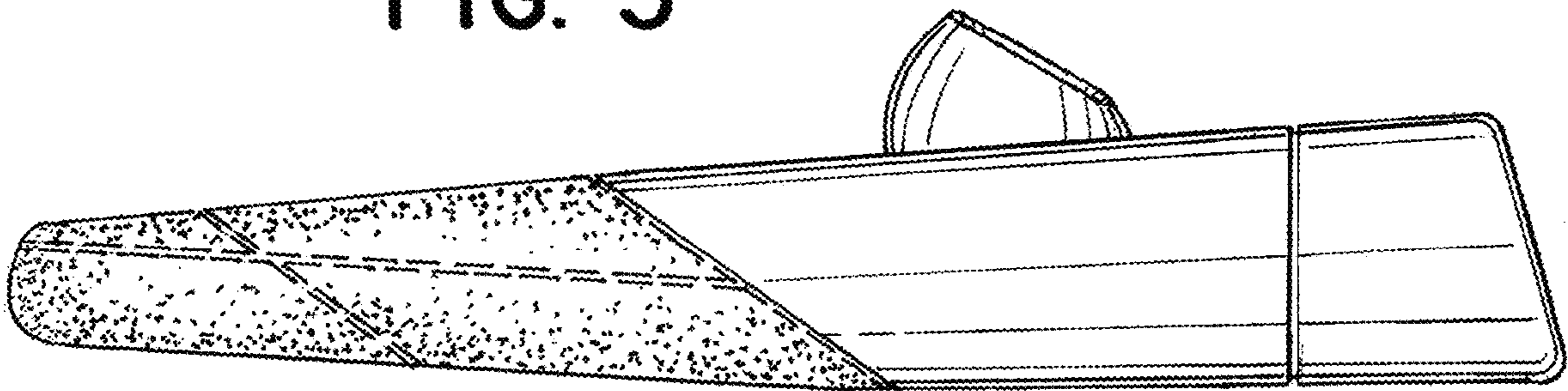




FIG. 4

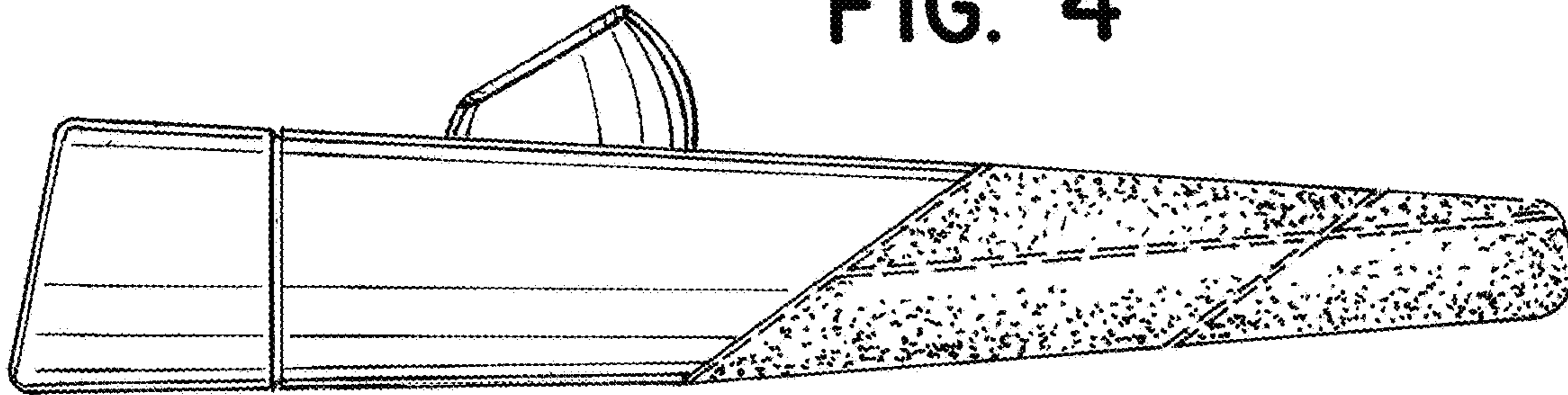


FIG. 5

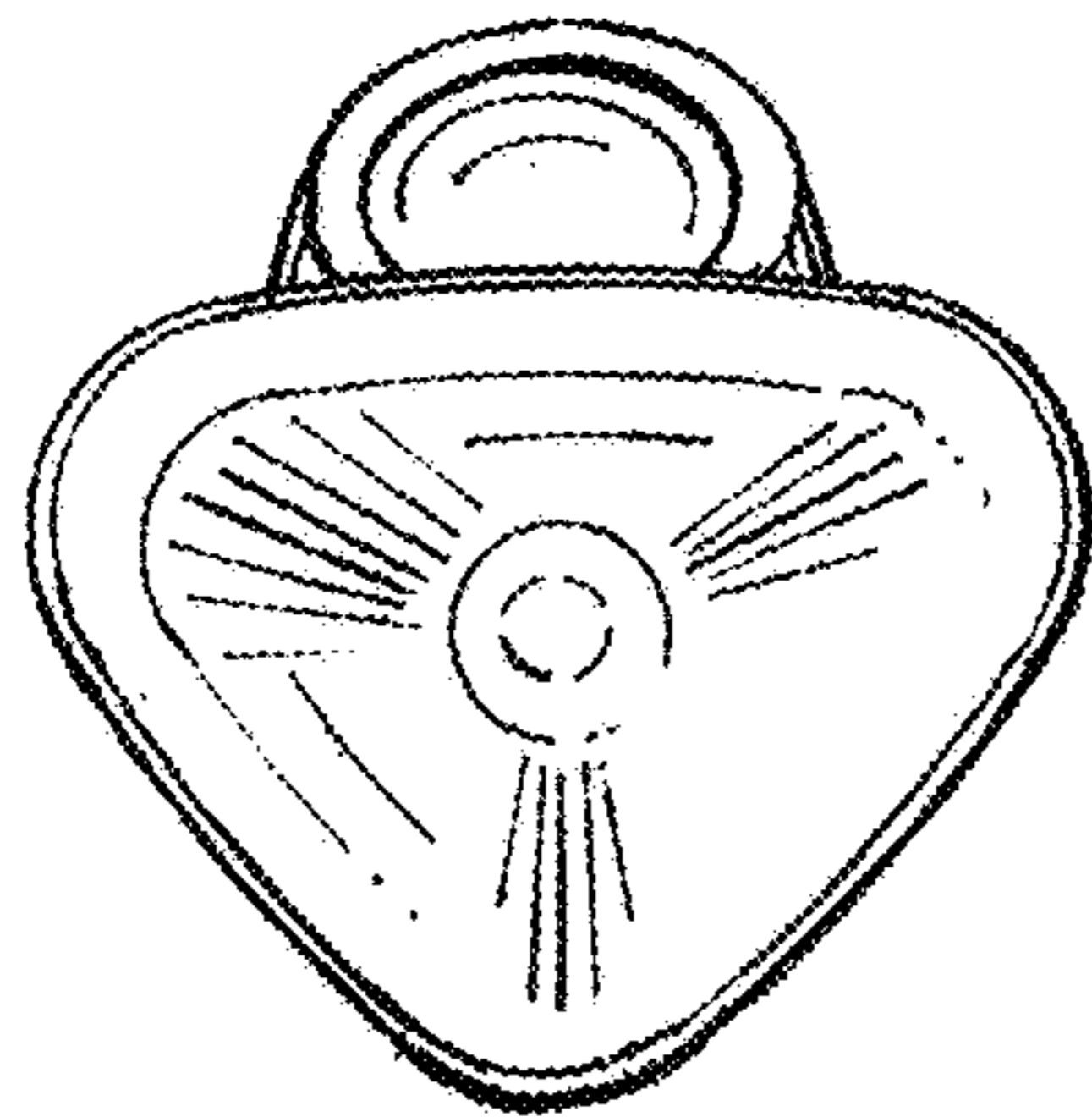


FIG. 6

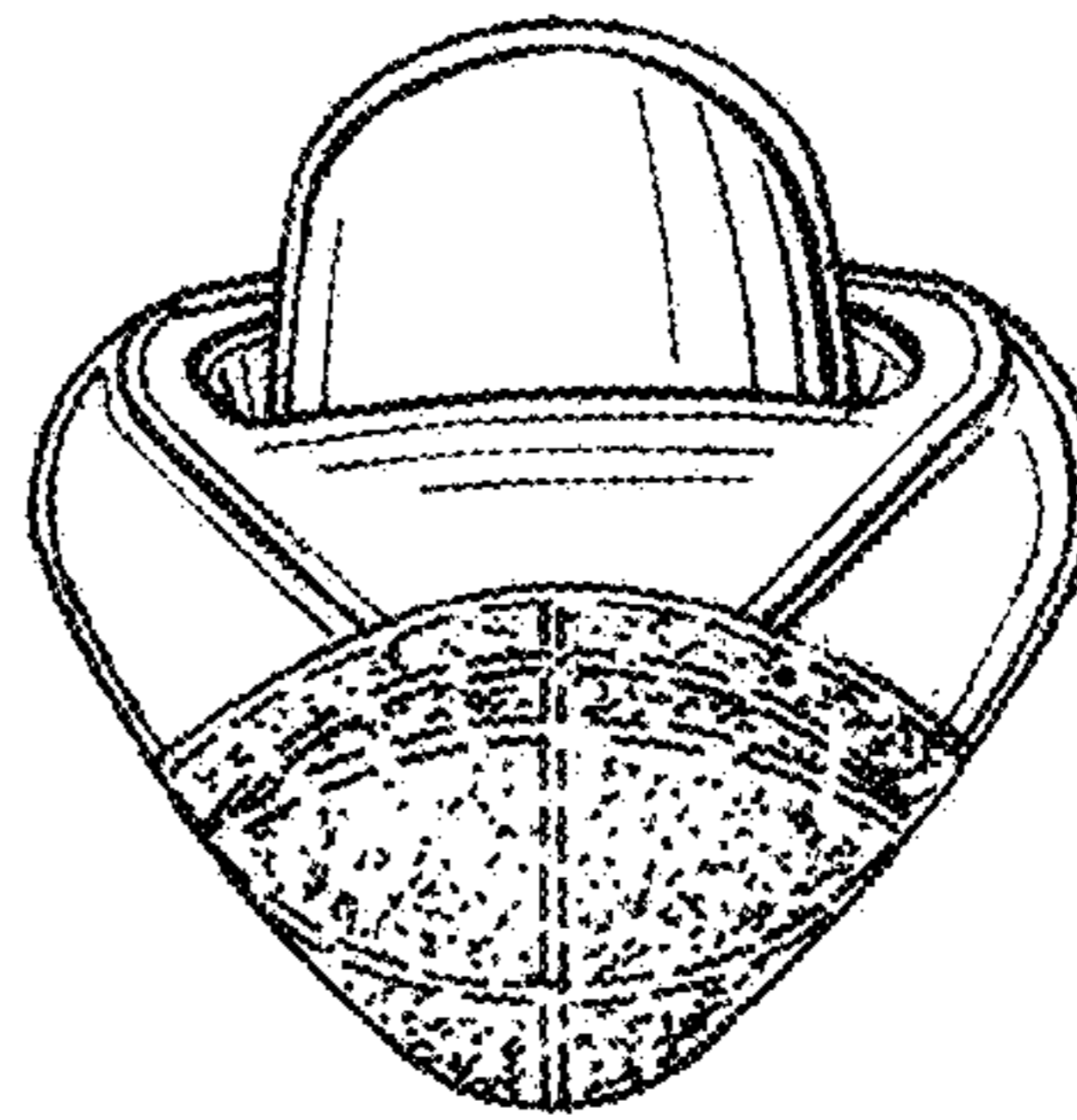
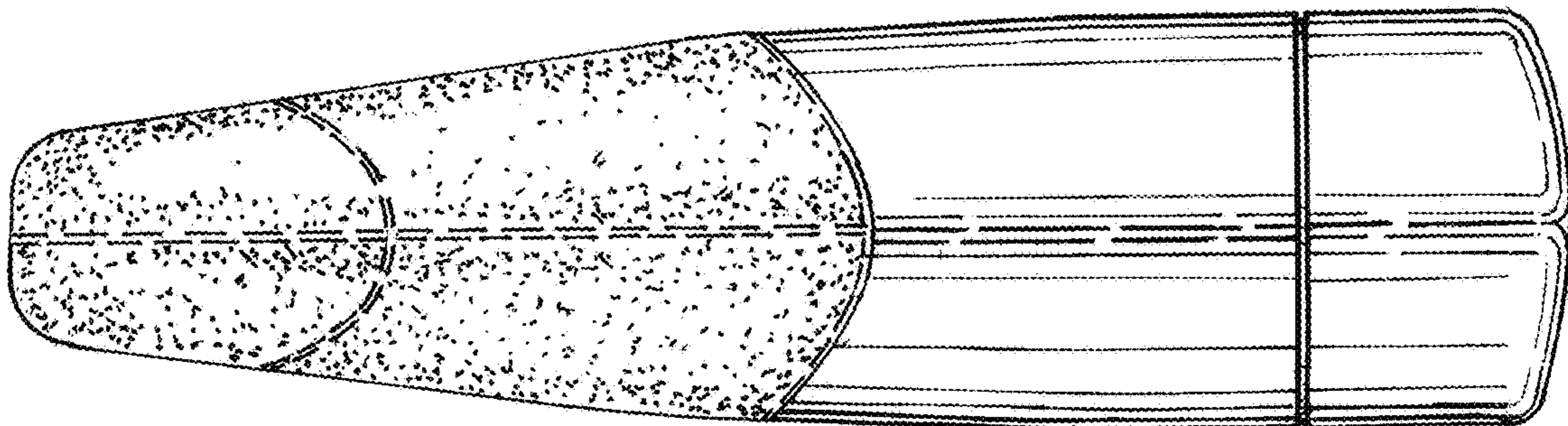


FIG. 7



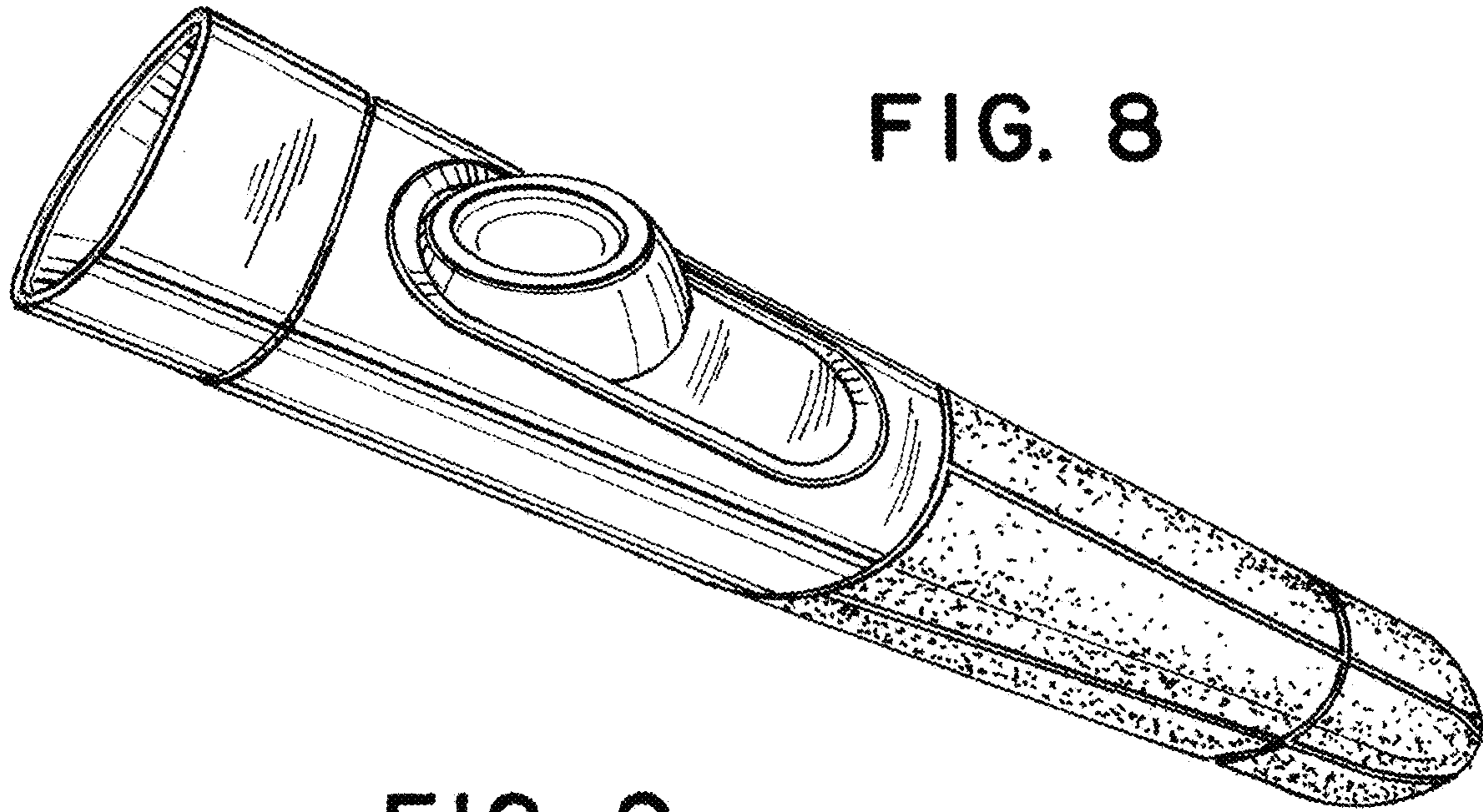


FIG. 8

FIG. 9

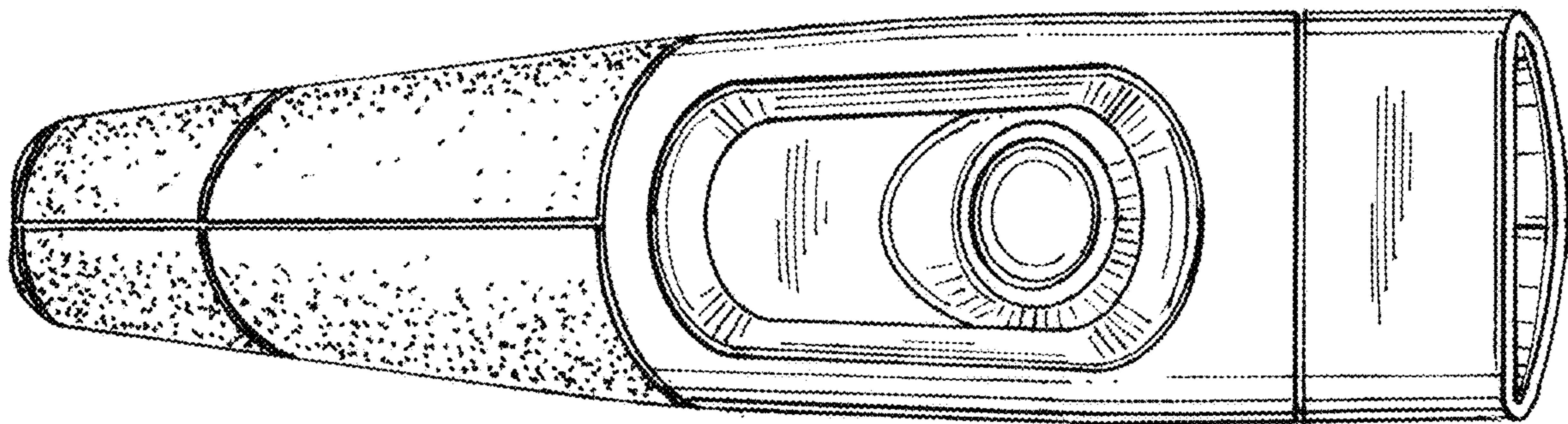


FIG. 10

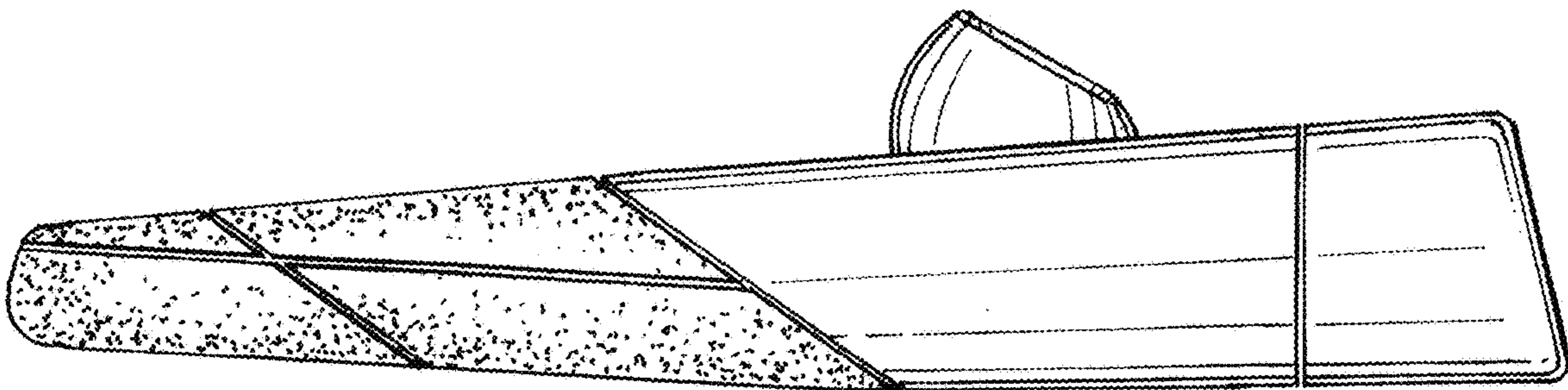




FIG. 11

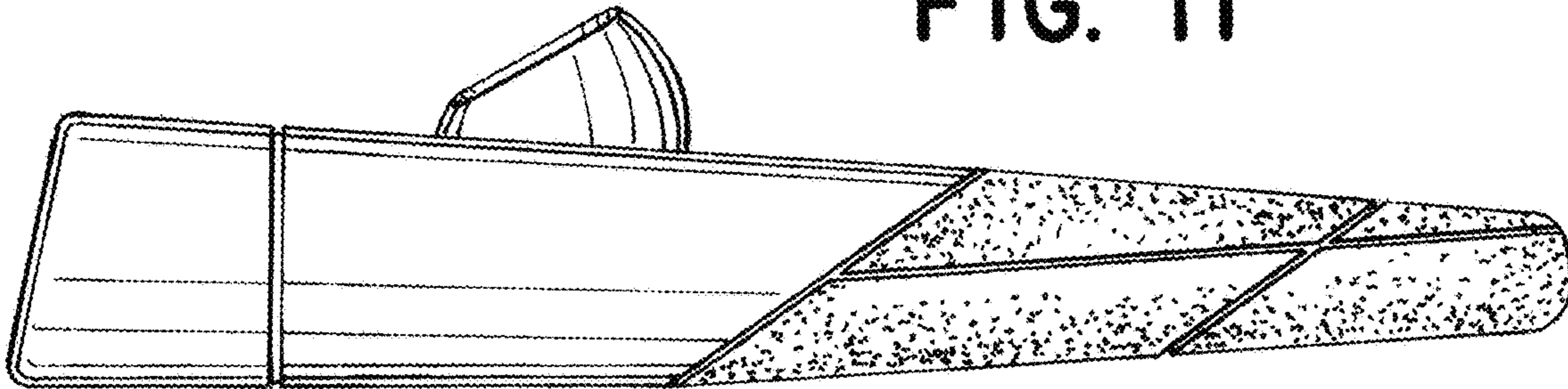


FIG. 12

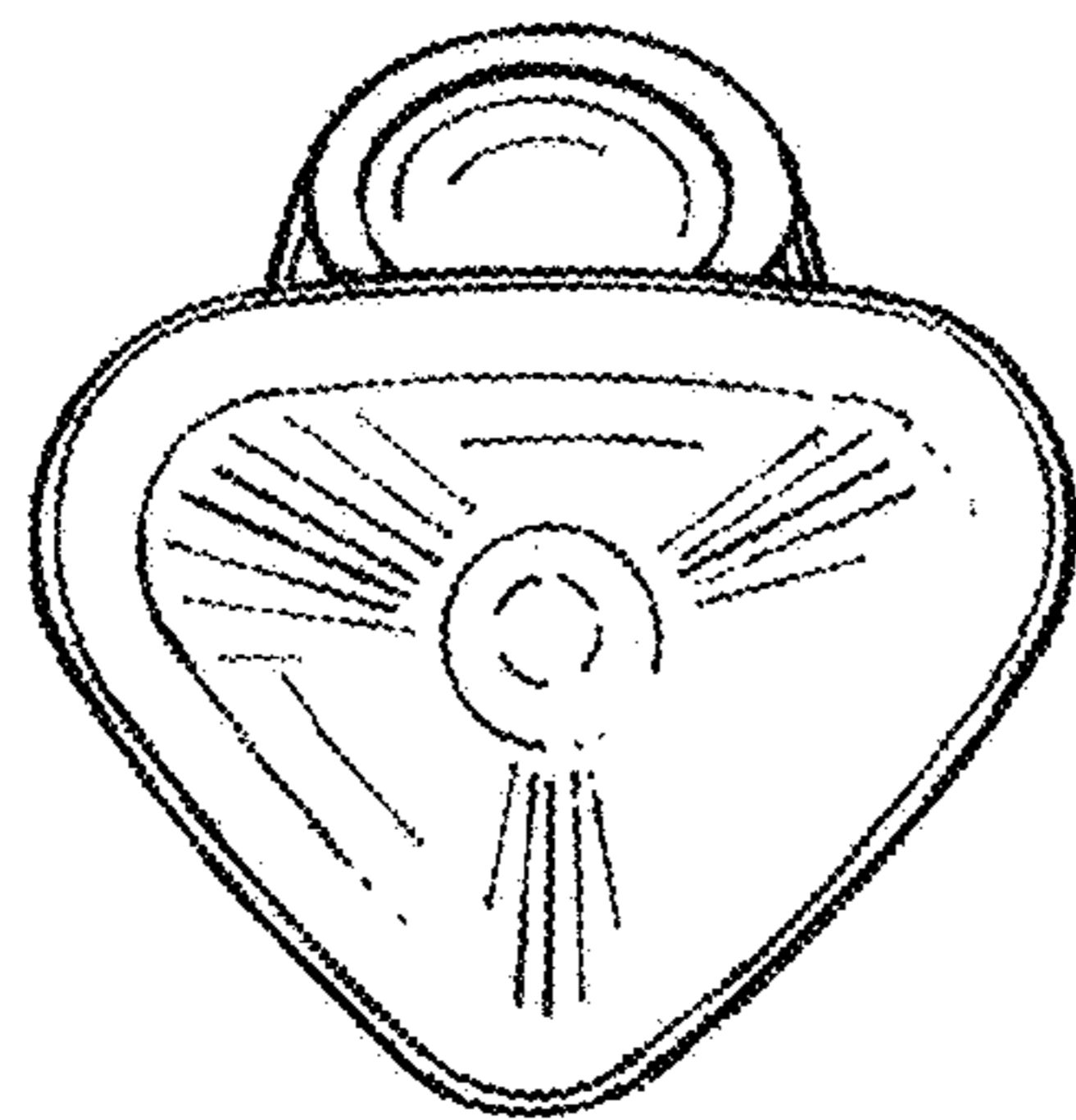


FIG. 13

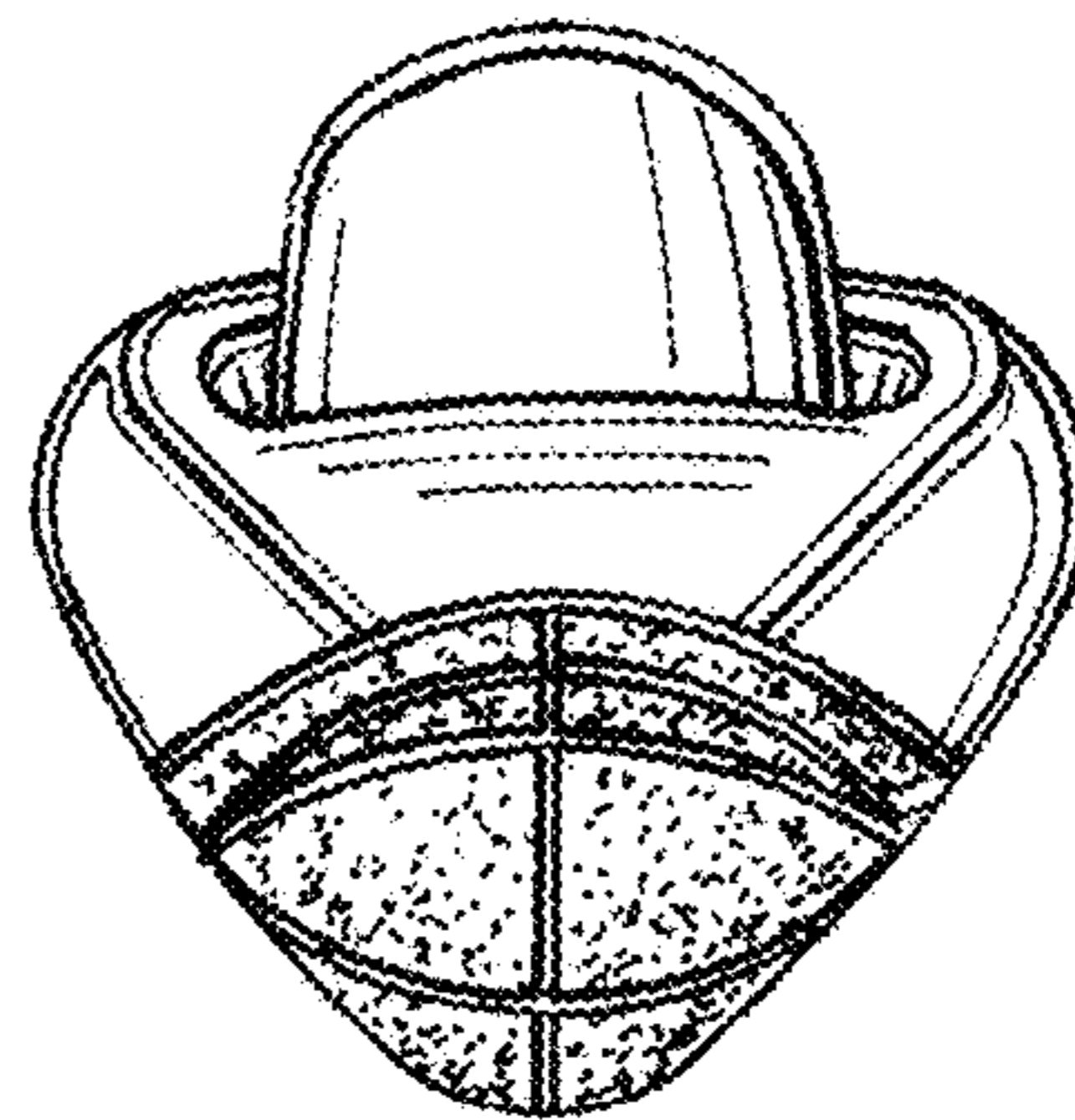


FIG. 14

