



US00D959657S

(12) **United States Design Patent**
Legeais et al.

(10) **Patent No.:** **US D959,657 S**

(45) **Date of Patent:** **** Aug. 2, 2022**

(54) **ADAPTER FOR CONNECTING A BAG TO A HANDLING ENCLOSURE**

(71) Applicant: **ABC TRANSFER**, Tours (FR)

(72) Inventors: **Pierre Legeais**, Joué-lès-Tours (FR);
Jean-Luc Schneider,
Saint-Firmin-des-Prés (FR)

(**) Term: **15 Years**

(21) Appl. No.: **35/511,280**

(22) Filed: **Aug. 3, 2020**

(80) **Hague Agreement Data**

Int. Filing Date: **Aug. 3, 2020**

Int. Reg. No.: **DM/211394**

Int. Reg. Date: **Aug. 3, 2020**

Int. Reg. Pub. Date: **Feb. 5, 2021**

(51) **LOC (13) Cl.** **24-01**

(52) **U.S. Cl.**

USPC **D24/129**; D23/259

(58) **Field of Classification Search**

USPC D23/259-261, 303; D24/129; D25/35,
D25/48.1-48.8; D8/399

CPC . E06B 5/00; G21F 7/005; E05C 19/00; D06F
39/14; H01H 13/04

See application file for complete search history.

(56) **References Cited**

U.S. PATENT DOCUMENTS

D583,912 S	*	12/2008	Beele	F16L 5/04 D23/260
D624,631 S	*	9/2010	Cantrill	D23/261
D734,436 S	*	7/2015	Raether	D23/259
D812,716 S	*	3/2018	Ebertowski	D23/225
D916,283 S	*	4/2021	Gagel	D24/145
D916,284 S	*	4/2021	Gagel	D24/145

D916,285 S	*	4/2021	Gagel	D24/145
D916,286 S	*	4/2021	Gagel	D24/145
D917,673 S	*	4/2021	Wilkinson	D23/259
D917,675 S	*	4/2021	Wilkinson	D23/259
D935,551 S	*	11/2021	Felix	D23/202
2010/0031581 A1	*	2/2010	Kang	D06F 39/14 49/507
2018/0363197 A1	*	12/2018	Han	D06F 37/263
2020/0248392 A1	*	8/2020	Kwon	D06F 39/14

OTHER PUBLICATIONS

The Guardian. What are pros and cons of whole-genome sequencing for every UK baby? Dec. 2, 2021. <https://www.theguardian.com/science/2021/dec/02/what-are-pros-and-cons-of-whole-genome-sequencing-for-every-uk-baby> (Year: 2021).*

California Tools & Company. Industrial Sandblaster Cabinet #420 With Free Blast Cabinet Reclaimer Kit. No date specified, <https://californiatoolsandequipment.com/products/industrial-air-sand-blasters-cabinet-with-3-doors-50-125-psi-sandblaster-tank-blasting-110-gallon> (Year: 0).*

* cited by examiner

Primary Examiner — Darcey E Gottschalk

(57) **CLAIM**

The ornamental design for an adapter for connecting a bag to a handling enclosure, as shown and described.

DESCRIPTION

1. Adapter for connecting a bag to a handling enclosure

1.1 : Left

1.2 : Top

1.3 : Right

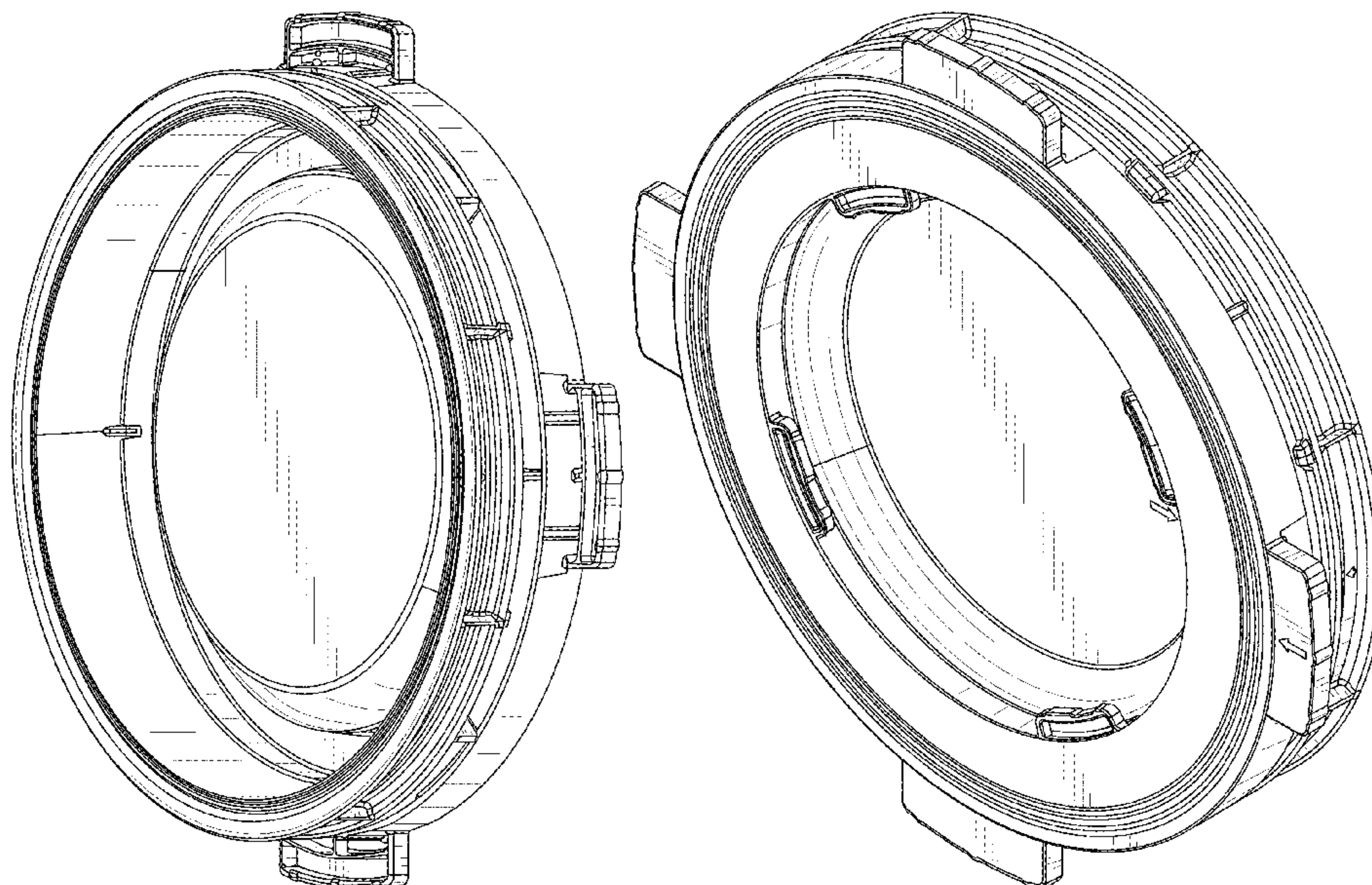
1.4 : Back

1.5 : Front

1.6 : isometric

1.7 : isometric

1 Claim, 6 Drawing Sheets



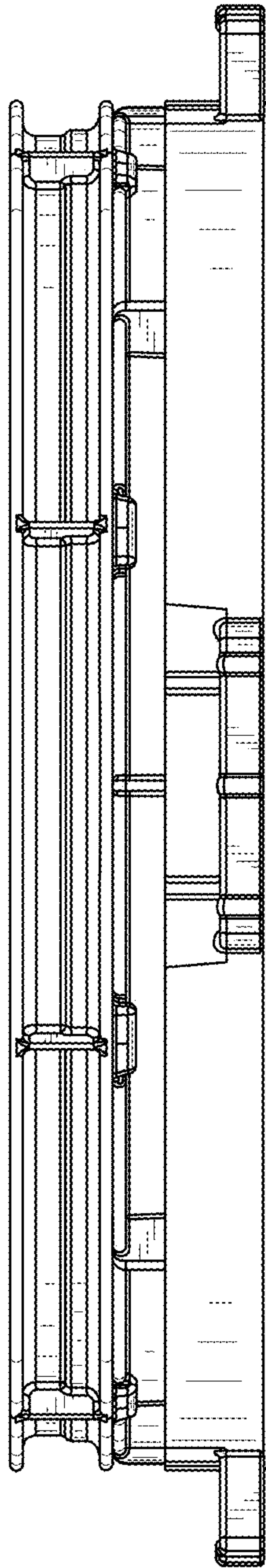


FIG. 1.1

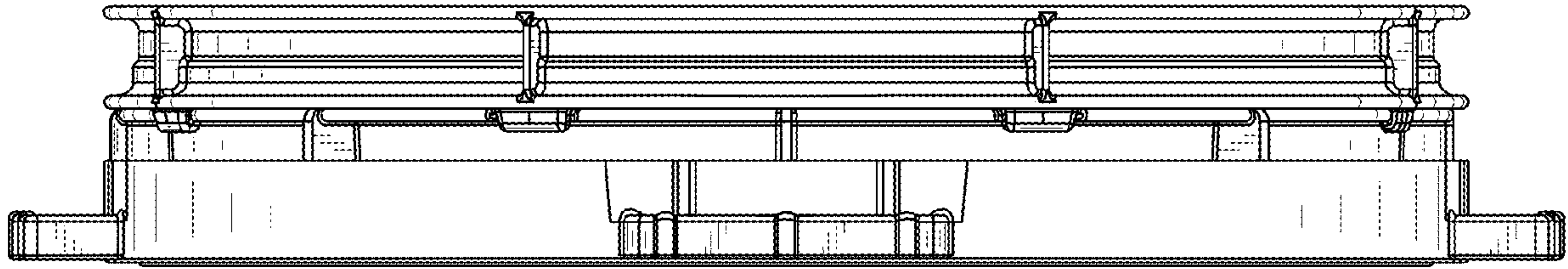


FIG. 1.2

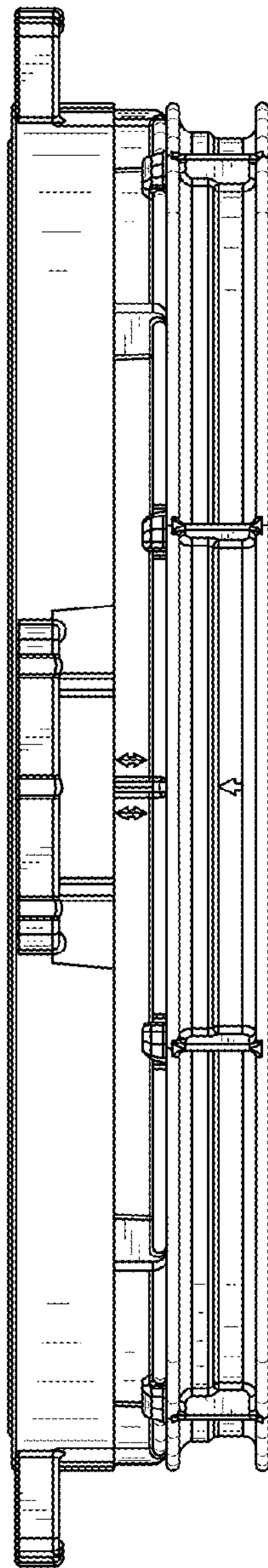


FIG. 1.3

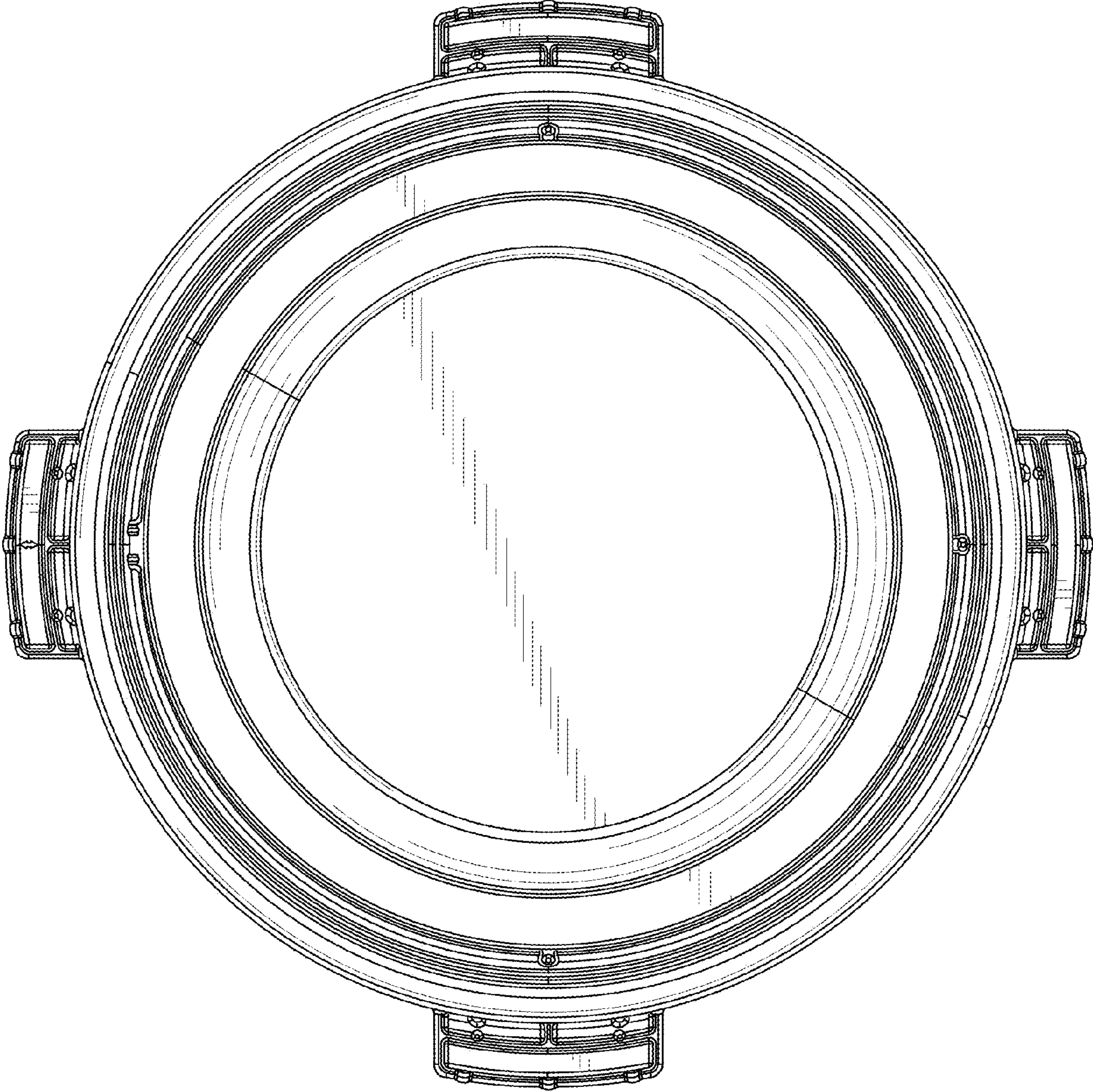


FIG. 1.4

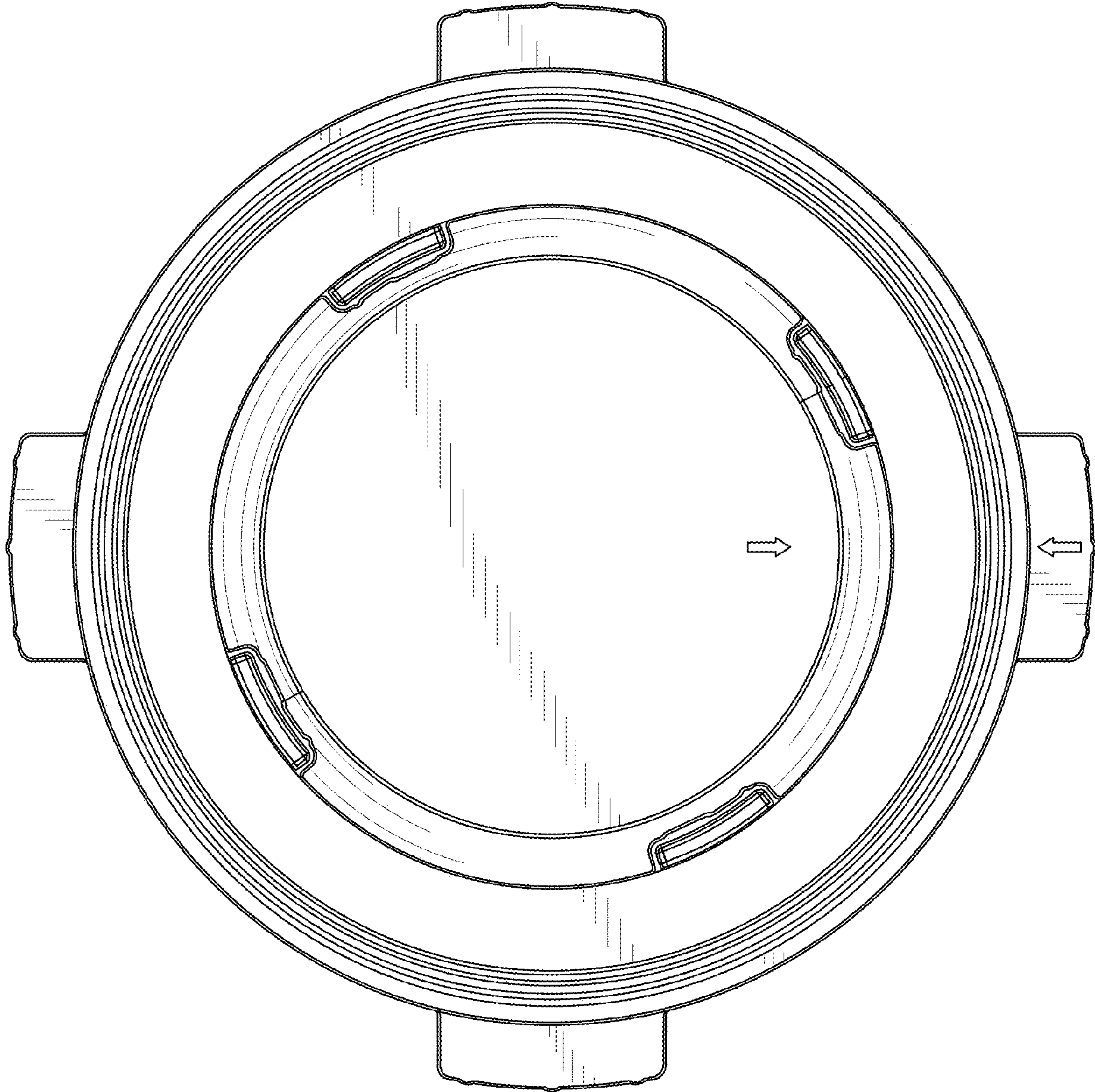


FIG. 1.5

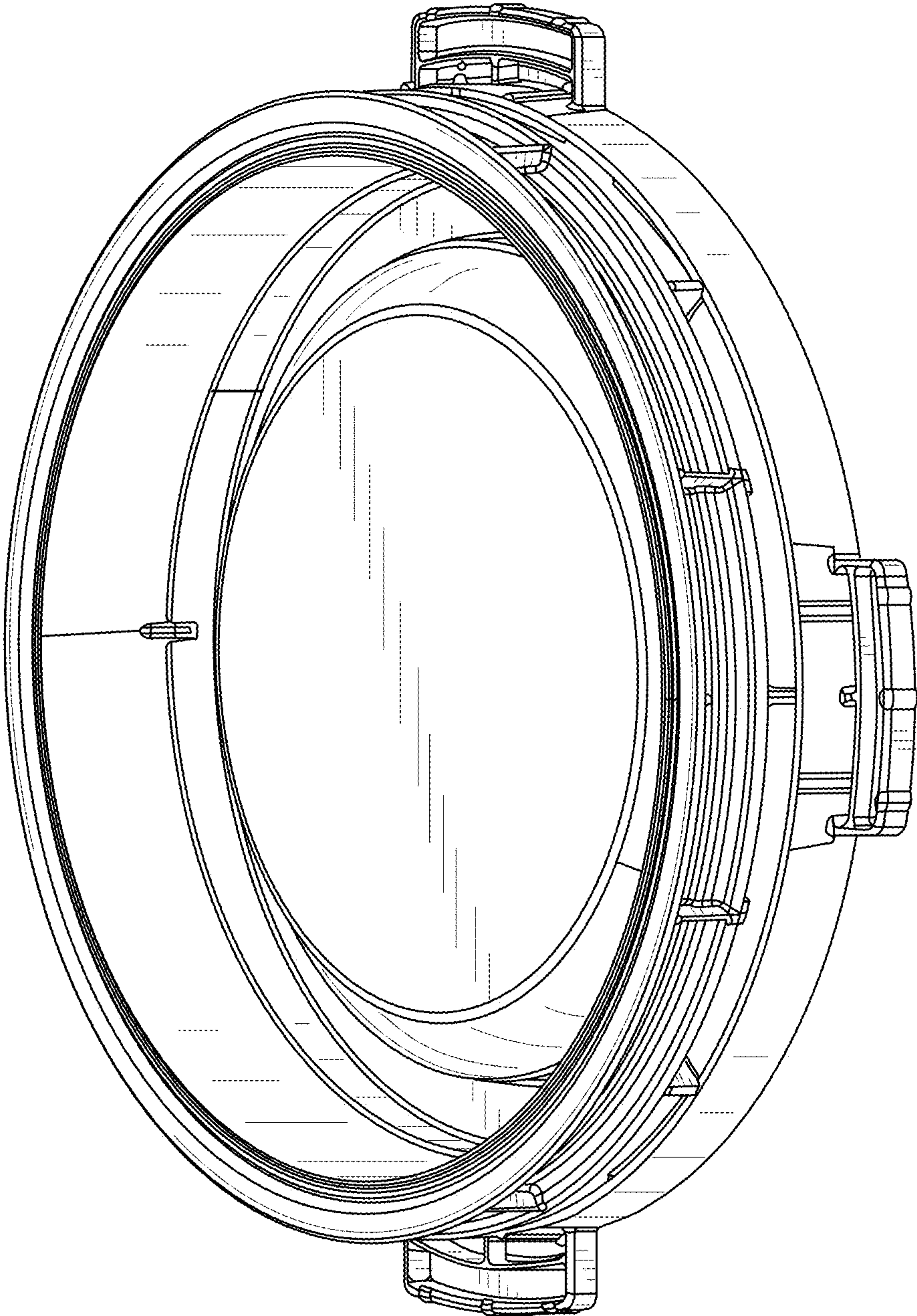


FIG. 1.6

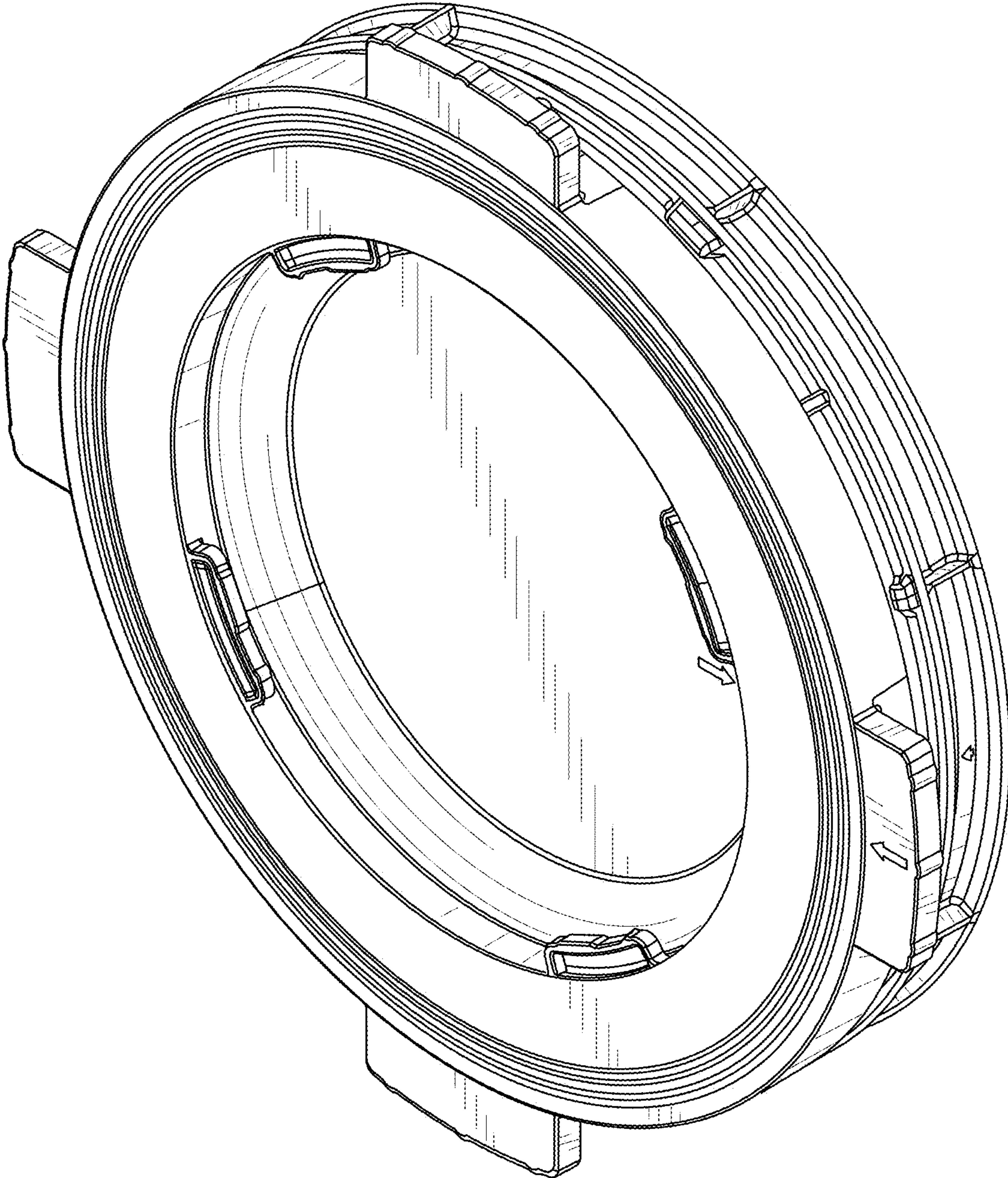


FIG. 1.7