



US00D959656S

(12) **United States Design Patent** (10) **Patent No.:** **US D959,656 S**
Suarez del Real Pena et al. (45) **Date of Patent:** **** Aug. 2, 2022**

(54) **INJECTION SITE WITH TRIFURCATED CONNECTOR**

D454,637 S * 3/2002 Nestenborg D24/112
D517,209 S * 3/2006 Burton D24/129
D604,637 S * 11/2009 Ueda D24/118

(Continued)

(71) Applicant: **Fresenius Medical Care Holdings, Inc.**, Waltham, MA (US)

FOREIGN PATENT DOCUMENTS

(72) Inventors: **Diego Suarez del Real Pena**, Mission, TX (US); **Jorge Alberto Perez Robles**, Mission, TX (US); **Irving Uziel Hernandez Gomez**, Hidalgo, TX (US)

EM 008200844-0002 * 10/2020
EM 008201271-0001 * 10/2020

(Continued)

(73) Assignee: **Fresenius Medical Care Holdings, Inc.**, Waltham, MA (US)

OTHER PUBLICATIONS

(**) Term: **15 Years**

Metrix—66045—Eva 2-port Bag, Stoma Bags. com, [Post date Aug. 15, 2017], [Site visited Oct. 4, 2021], Seen at URL: <https://www.stomabags.com/metrix-66045-eva-2-port-bag> (Year: 2017).*

(21) Appl. No.: **29/731,783**

Primary Examiner — Natasha Vujcic
Assistant Examiner — Gilbert B Ford

(22) Filed: **Apr. 17, 2020**

(51) **LOC (13) Cl.** **24-02**

(52) **U.S. Cl.**
USPC **D24/129**

(58) **Field of Classification Search**
USPC D24/112–114, 118, 127–130, 133, 186, D24/108

CPC A61J 1/1462; A61J 1/1475; A61J 2205/20; A61J 1/2065; B29C 65/02; A61M 39/10; A61M 39/162

See application file for complete search history.

(74) *Attorney, Agent, or Firm* — Leydig, Voit & Mayer, Ltd.

(57) **CLAIM**

We claim, the ornamental design for an injection site with trifurcated connector, as shown and described.

DESCRIPTION

FIG. 1 is a bottom, front, right side perspective view of an injection site with trifurcated connector showing our new design;

FIG. 2 is a front elevational view thereof;

FIG. 3 is a rear elevational view thereof;

FIG. 4 is a left side elevational view thereof;

FIG. 5 is a right side elevational view thereof;

FIG. 6 is a top plan view thereof; and,

FIG. 7 is a bottom plan view thereof.

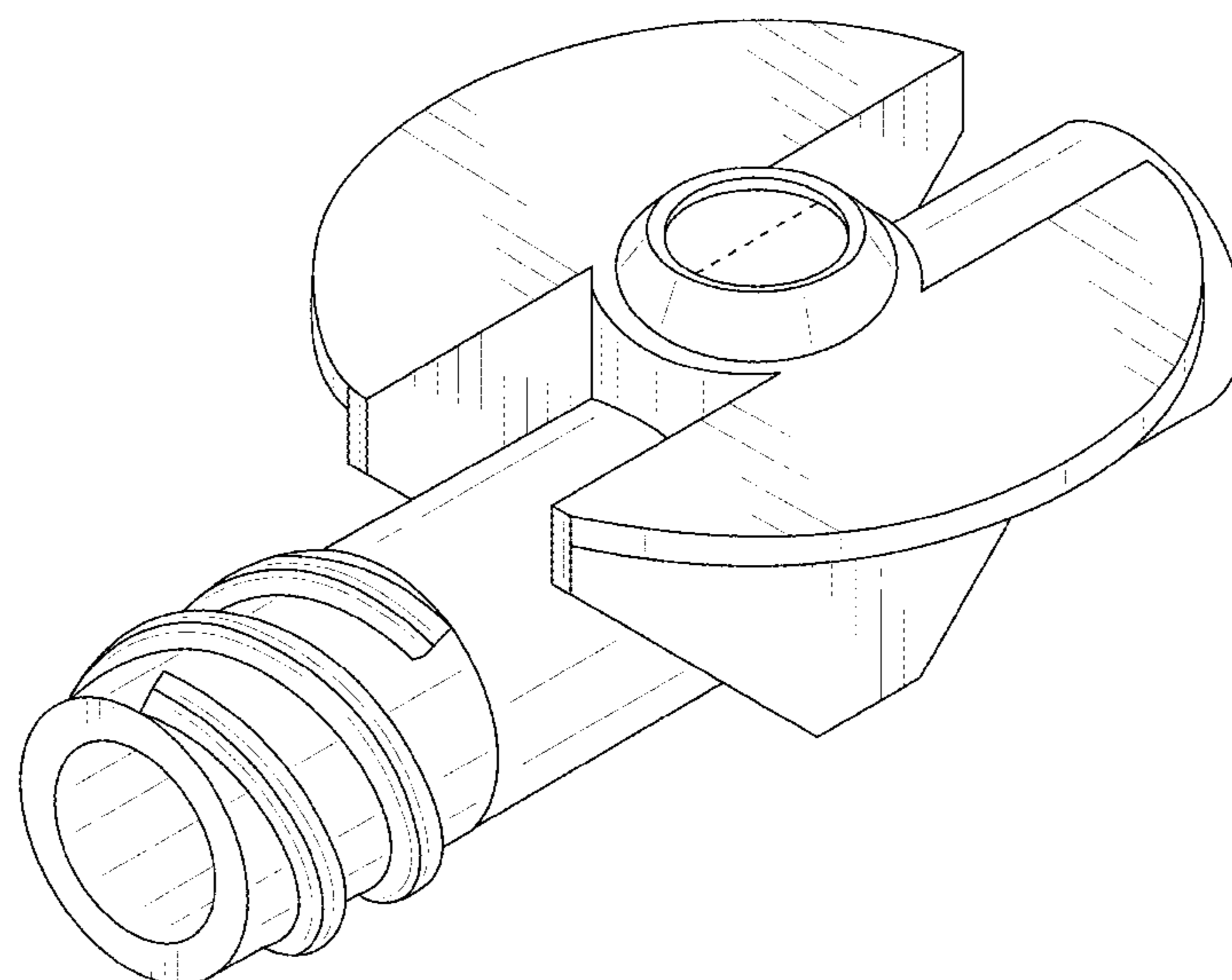
The broken lines shown in the drawings illustrate portions of the injection site with trifurcated connector which form no part of the claimed design.

1 Claim, 7 Drawing Sheets

(56) **References Cited**

U.S. PATENT DOCUMENTS

4,412,573 A * 11/1983 Zdeb B29C 66/5344
604/415
4,436,519 A 3/1984 O'Neill
5,221,271 A 6/1993 Nicholson et al.
5,342,316 A 8/1994 Wallace
5,354,275 A 10/1994 Behnke et al.
5,417,673 A 5/1995 Gordon
D388,168 S * 12/1997 Barney D24/118
D397,789 S * 9/1998 Barney D24/118
D402,366 S * 12/1998 Barney D24/118



(56)

References Cited

U.S. PATENT DOCUMENTS

D622,375 S * 8/2010 Tsuruoka D24/127
D699,343 S * 2/2014 Clements D24/118
9,079,005 B2 7/2015 Chelak et al.
10,368,789 B2 8/2019 Chelak et al.
D877,886 S * 3/2020 Register D24/110.1
D878,570 S * 3/2020 Suarez del Real Pena . D24/118
D884,886 S * 5/2020 Kangastupa D24/129
D900,311 S * 10/2020 Henaut D24/118
D903,860 S * 12/2020 Tashiro D24/118
D927,683 S * 8/2021 Blin D24/118
2005/0261637 A1 11/2005 Miller
2015/0112271 A1 4/2015 Chelak et al.
2018/0028403 A1* 2/2018 Fangrow A61J 1/2096
2018/0177444 A1 6/2018 Chelak et al.
2020/0230023 A1* 7/2020 Pallares A61J 1/1475
2021/0138221 A1* 5/2021 Harding A61M 39/162
2021/0212894 A1* 7/2021 del Real Pena A61J 1/10

FOREIGN PATENT DOCUMENTS

EM 008201271-0002 * 10/2020
JP 3224170 U 11/2019
WO WO 2016/206804 A1 12/2016

* cited by examiner

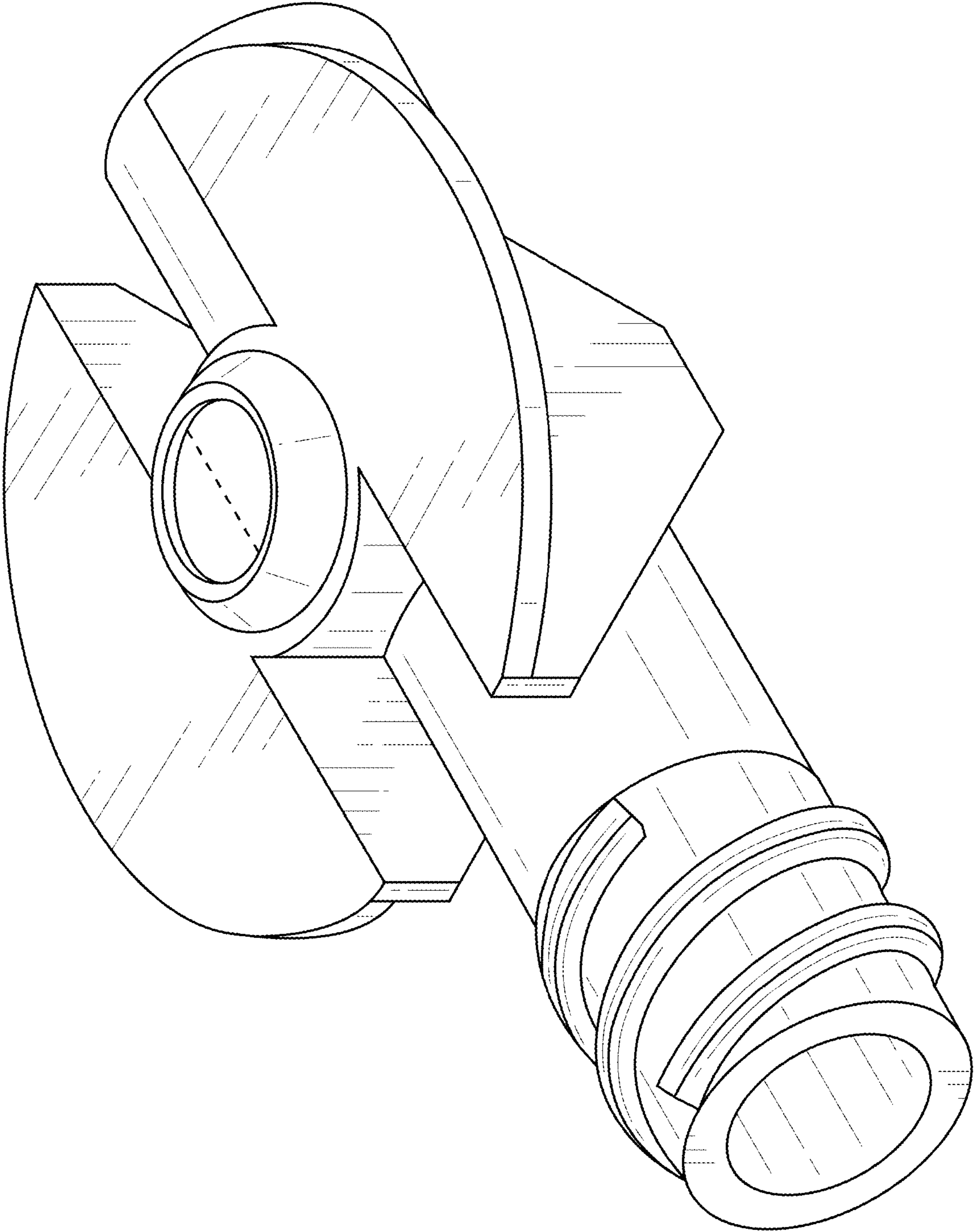


Fig. 1

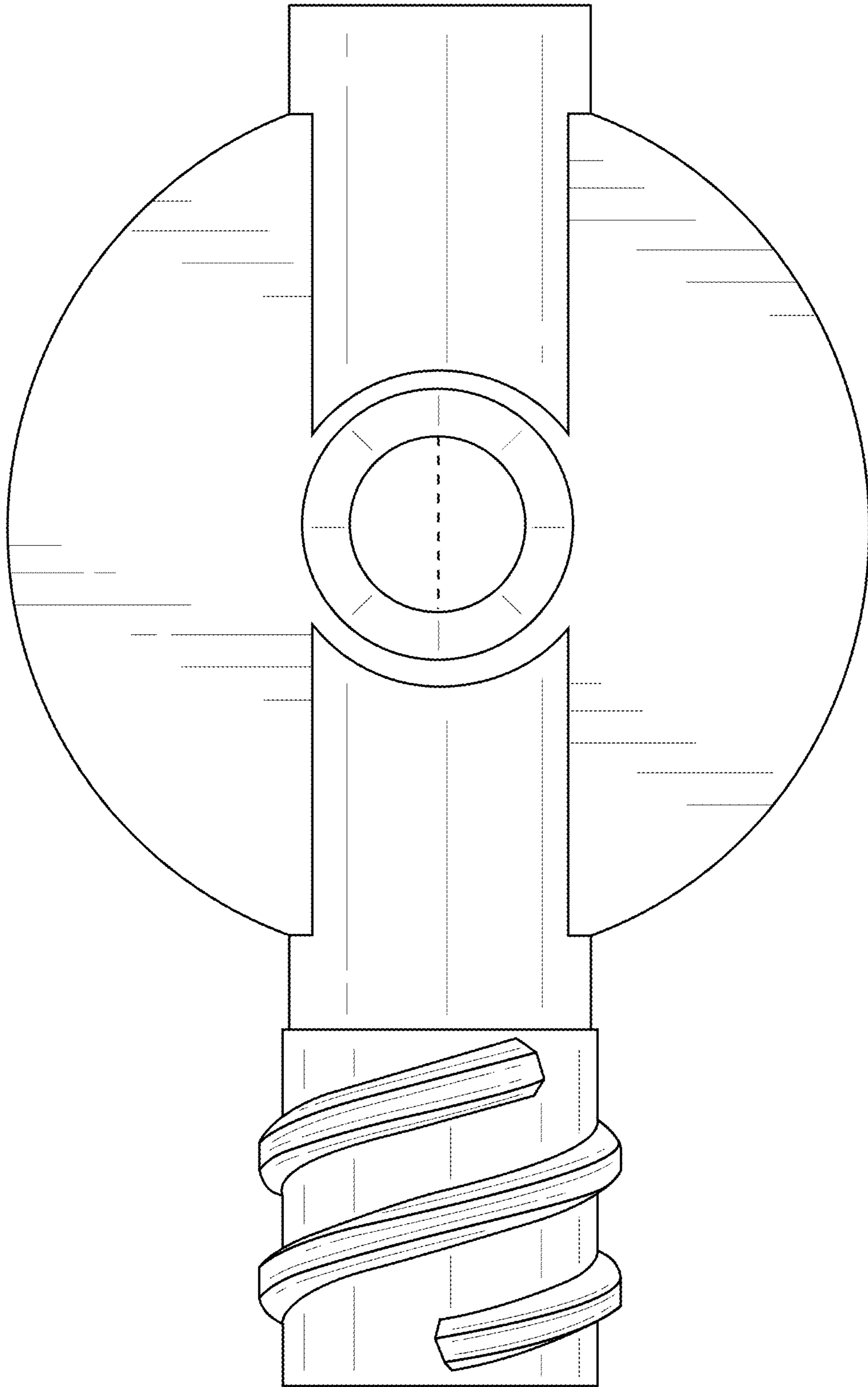


Fig. 2

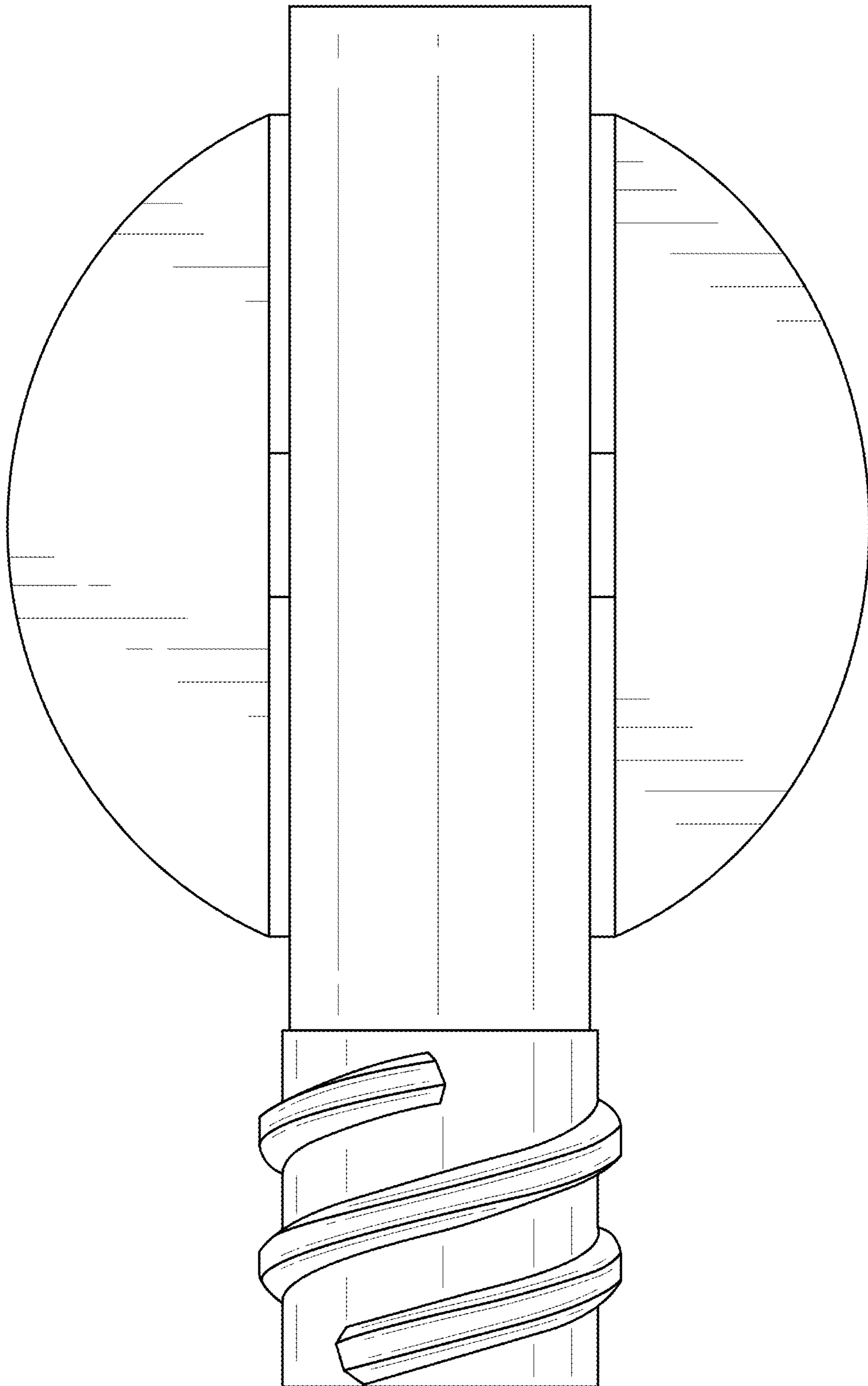


Fig. 3

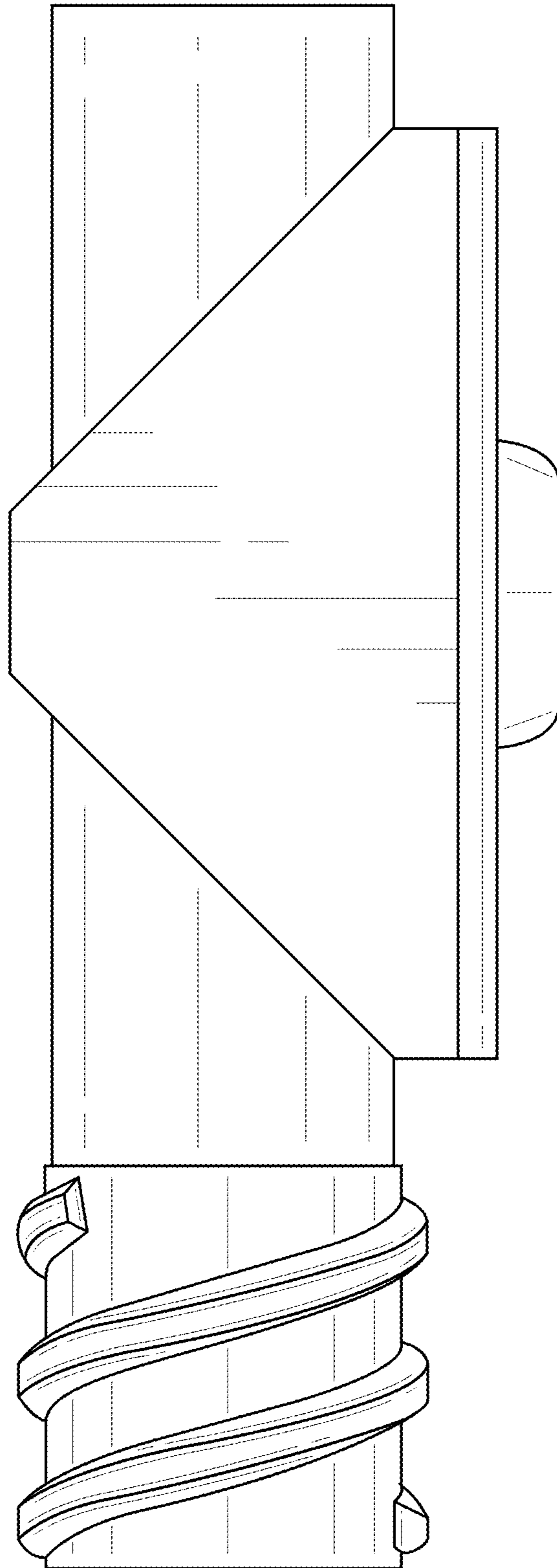


Fig. 4

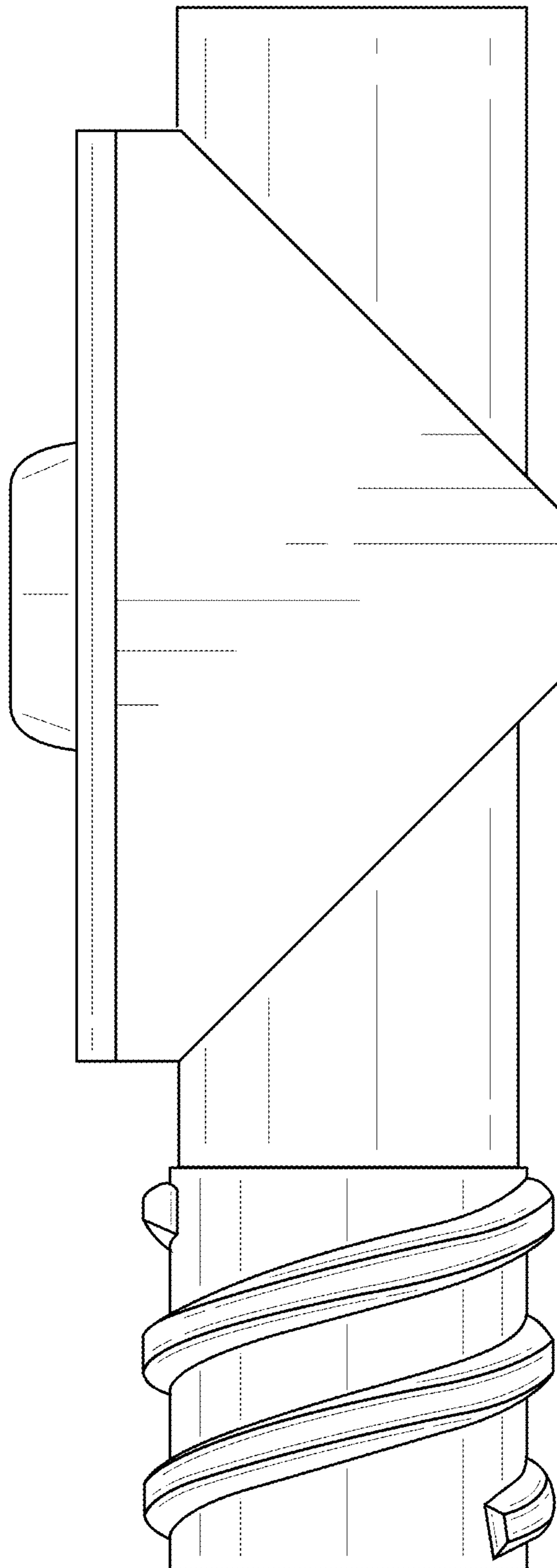


Fig. 5

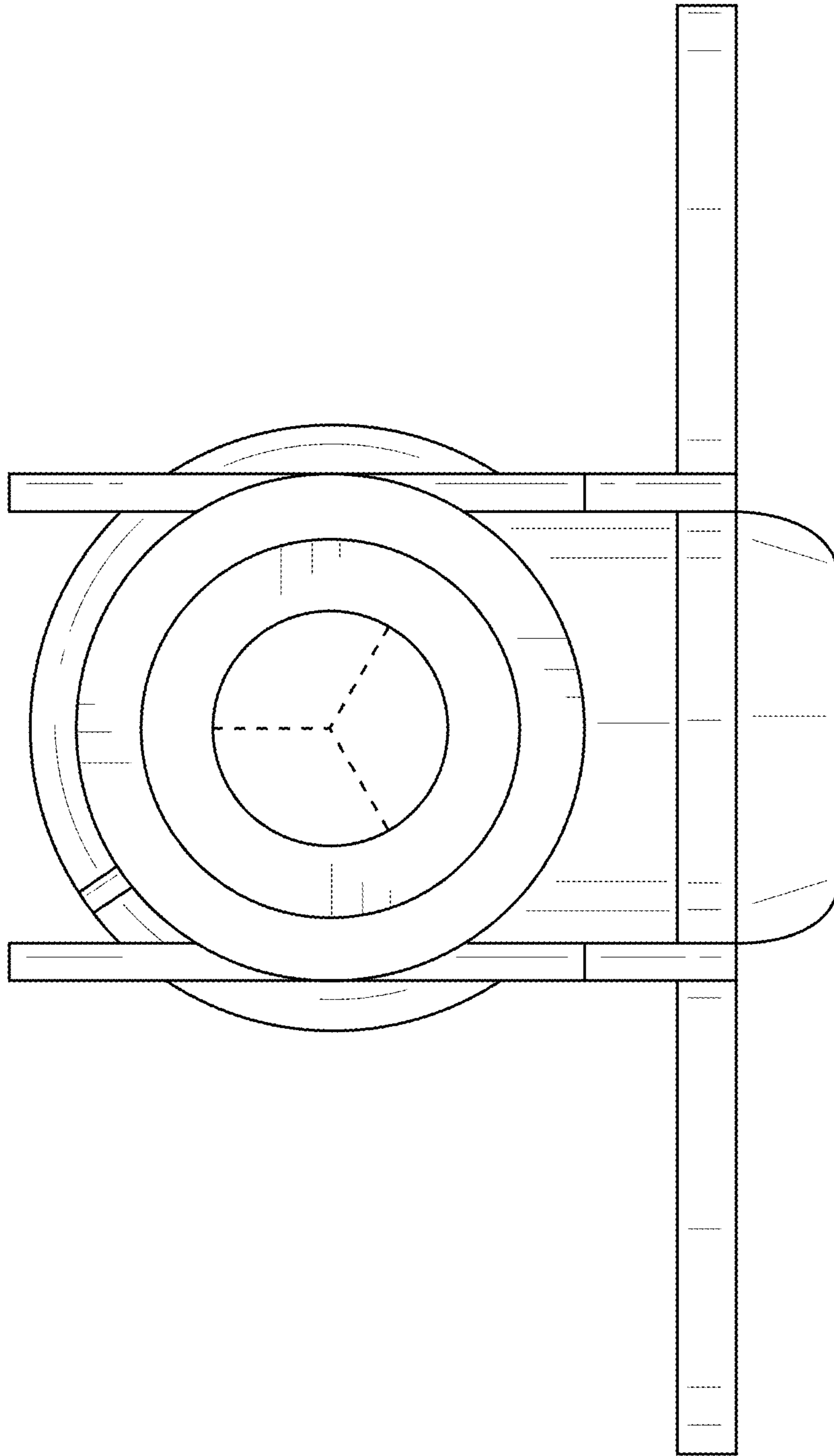


Fig. 6

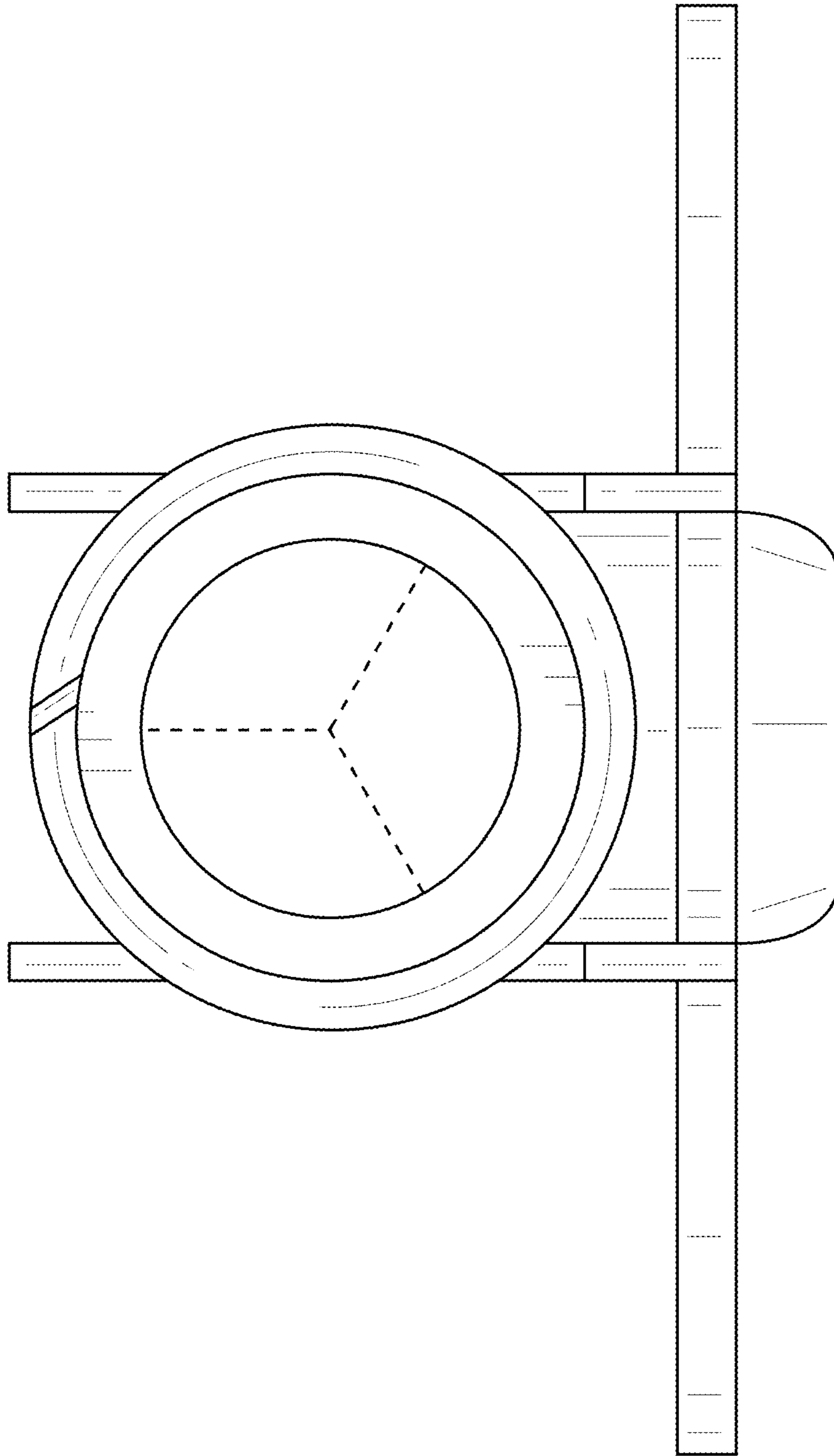


Fig. 7