



US00D959655S

(12) **United States Design Patent** (10) **Patent No.:** **US D959,655 S**
Mark (45) **Date of Patent:** **** Aug. 2, 2022**

(54) **MASK HOLDER**

- (71) Applicant: **MATCHLESS PLASTICS, INC.**,
Plymouth, MN (US)
- (72) Inventor: **Jeffrey P. Mark**, Plymouth, MN (US)
- (**) Term: **15 Years**
- (21) Appl. No.: **29/748,435**
- (22) Filed: **Aug. 28, 2020**
- (51) **LOC (13) Cl.** **24-02**
- (52) **U.S. Cl.**
USPC **D24/128**
- (58) **Field of Classification Search**
USPC D24/127-128, 110.1-110.2, 184,
D24/228-229, 231; D14/230; D21/699,
D21/357
CPC A41D 13/1161; A41D 2300/324; A41D
2300/32; A41D 2400/70; A41D 2400/44
See application file for complete search history.

(56) **References Cited**

U.S. PATENT DOCUMENTS

D212,372 S *	10/1968	Trimble	D21/699
D239,774 S *	5/1976	Kuldin	D14/235
D282,323 S *	1/1986	Fetty	D8/380
D339,195 S *	9/1993	Nash	248/68.1
D343,307 S *	1/1994	Tennyson	D29/111
D443,443 S *	6/2001	Welke	D6/708.13
D500,105 S *	12/2004	Szaroletta	D21/699
D531,685 S *	11/2006	Frankel	D21/699
D544,471 S *	6/2007	Wang	D14/230
D605,756 S *	12/2009	Savage	D24/128
D609,280 S *	2/2010	Lessard	273/317.5
D609,336 S *	2/2010	Savage	D24/128
D848,985 S *	5/2019	Yang	D14/230
2022/0039495 A1 *	2/2022	Mark	A41D 13/1161

FOREIGN PATENT DOCUMENTS

CN	306098029	* 10/2020
JP	D1700248	* 11/2021

OTHER PUBLICATIONS

Universal Floor Stand for Healthcare Box Dispenser, Face Mask, Disposable Glove, Wipe, Displays Market, [Post date: Aug. 9, 2020], [Site seen Mar. 14, 2022], Seen at URL: <https://www.displaysmarket.com/product/universal-floor-stand-for-healthcare-box-dispenser-face-mask-disposable-glove-wipe/> (Year: 2020).*

* cited by examiner

Primary Examiner — Natasha Vujcic

Assistant Examiner — Gilbert B Ford

(74) *Attorney, Agent, or Firm* — Ballard Spahr LLP

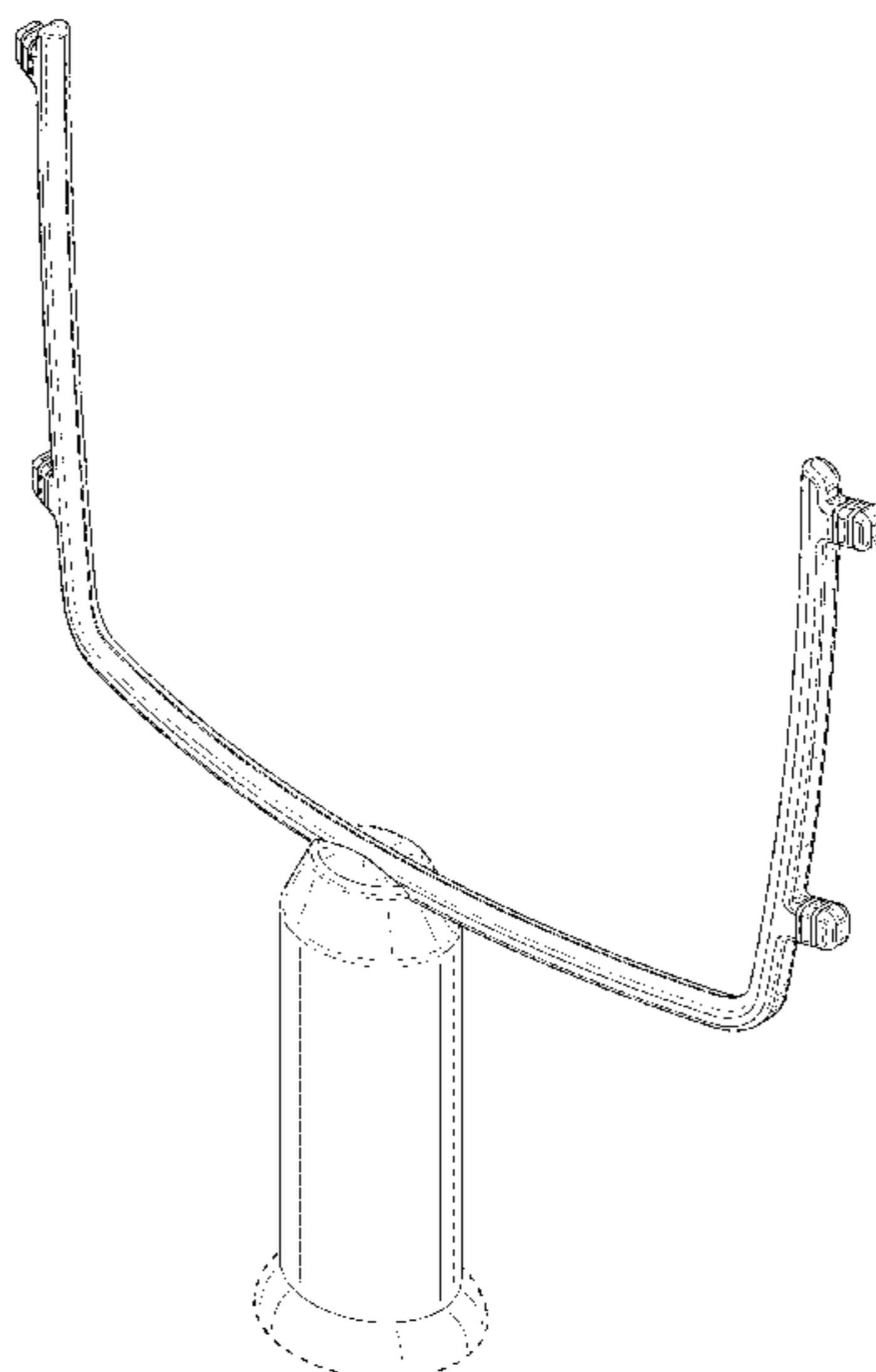
(57) **CLAIM**

The ornamental design for an mask holder, as shown and described.

DESCRIPTION

FIG. 1 is a front perspective view of a mask holder; FIG. 2 is a front elevational view of the mask holder of FIG. 1; FIG. 3 is a rear elevational view of the mask holder of FIG. 1; FIG. 4 is a right side elevational view of the mask holder of FIG. 1; FIG. 5 is a left side elevational view of the mask holder of FIG. 1; FIG. 6 is a top elevational view of the mask holder of FIG. 1; FIG. 7 is a bottom elevational view of the mask holder of FIG. 1; and, FIG. 8 is a longitudinal cross sectional view of the mask holder of FIG. 1 taken along the plane 8-8 shown in FIG. 2. The broken lines in the drawings illustrate portions of a mask holder, and form no part of the claimed design.

1 Claim, 7 Drawing Sheets



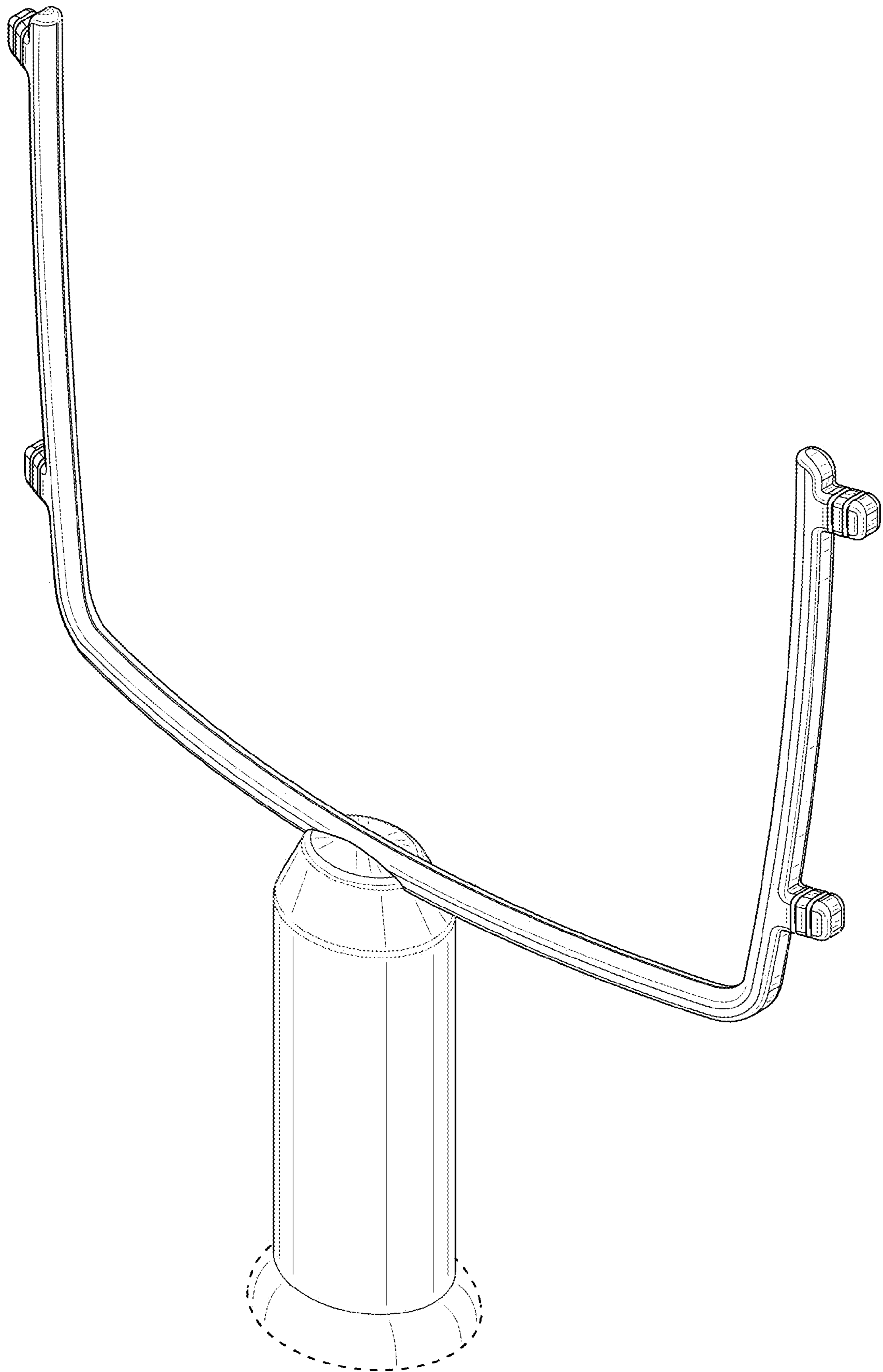


FIG. 1

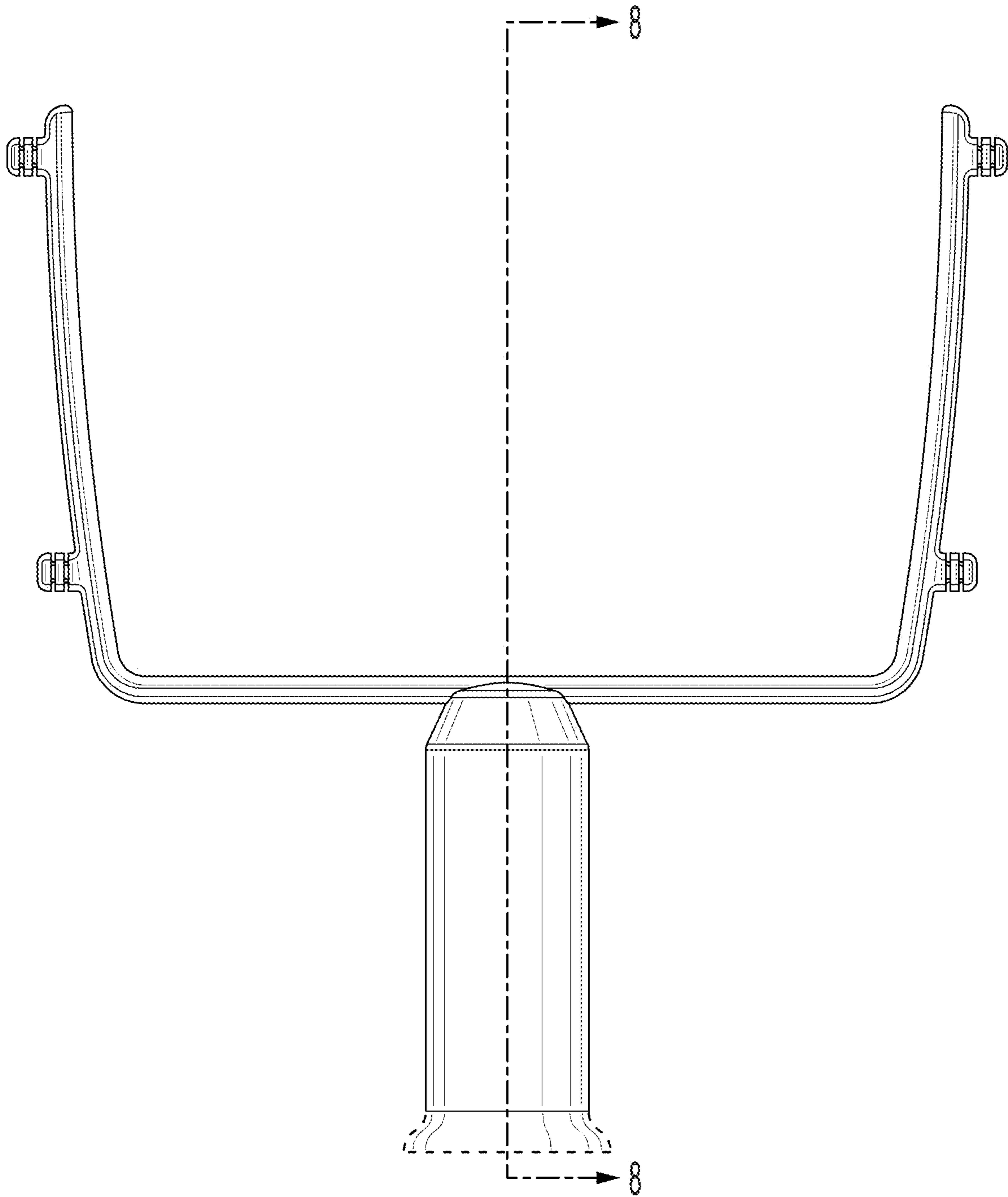


FIG. 2

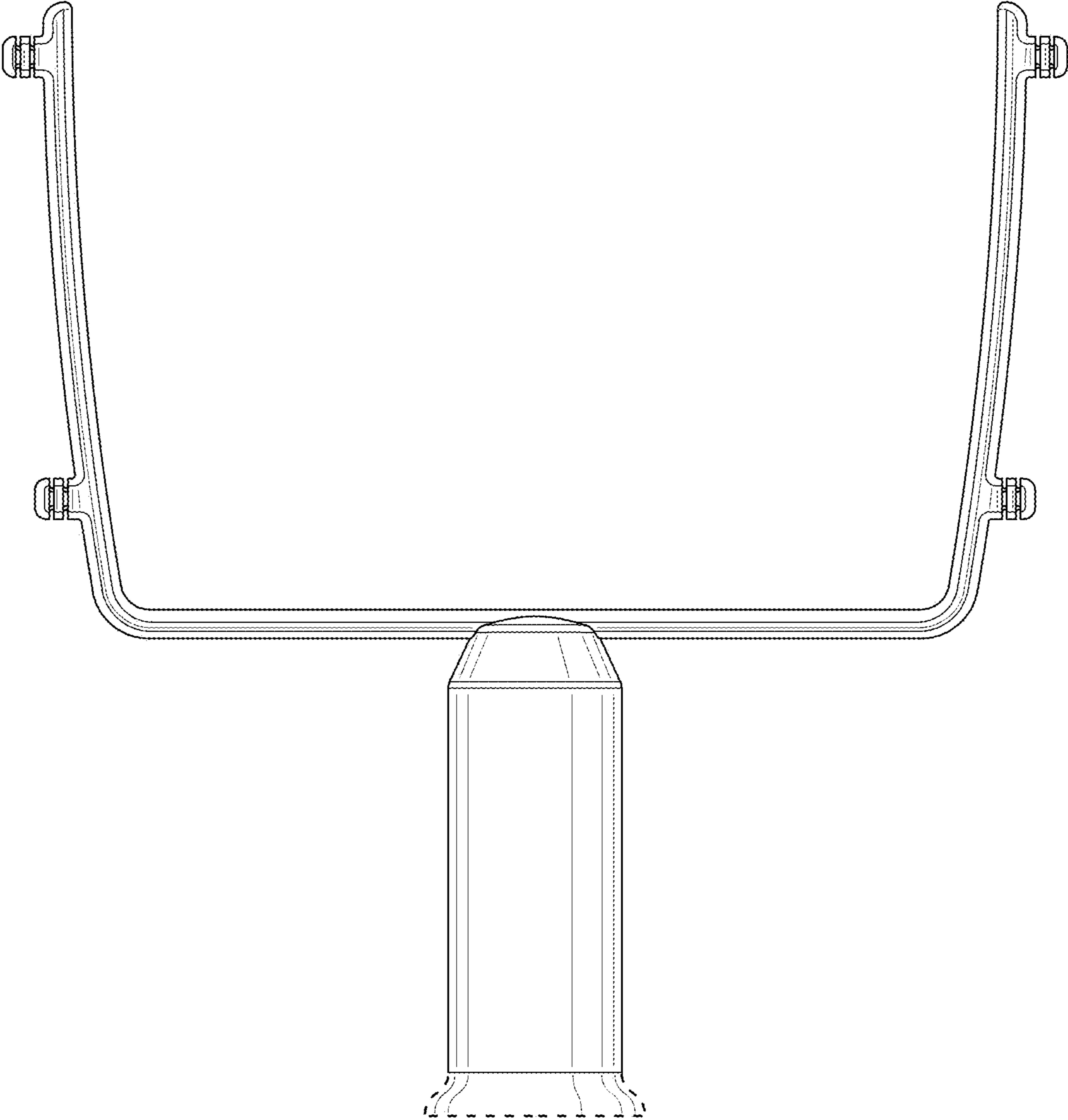


FIG. 3

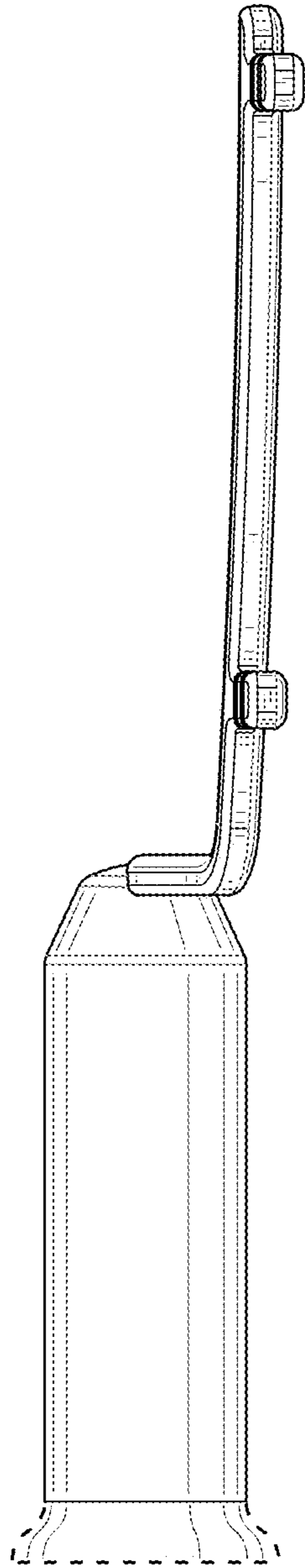


FIG. 4

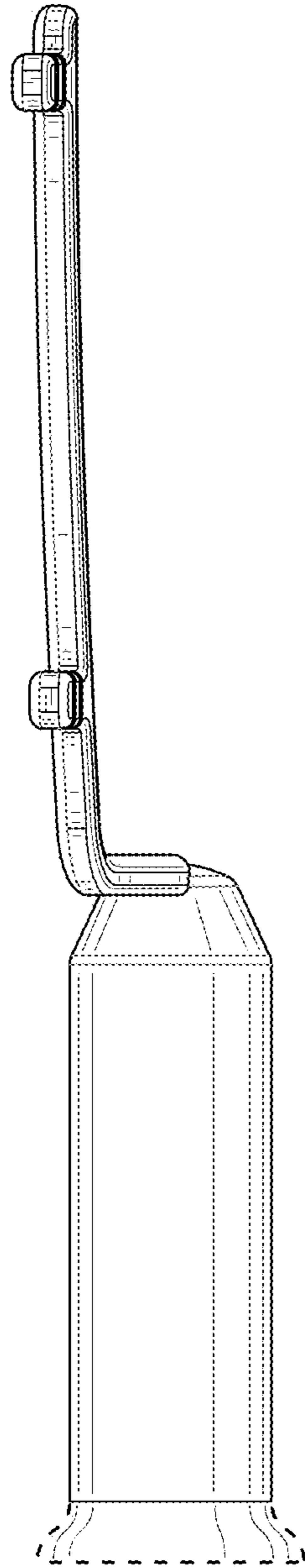


FIG. 5

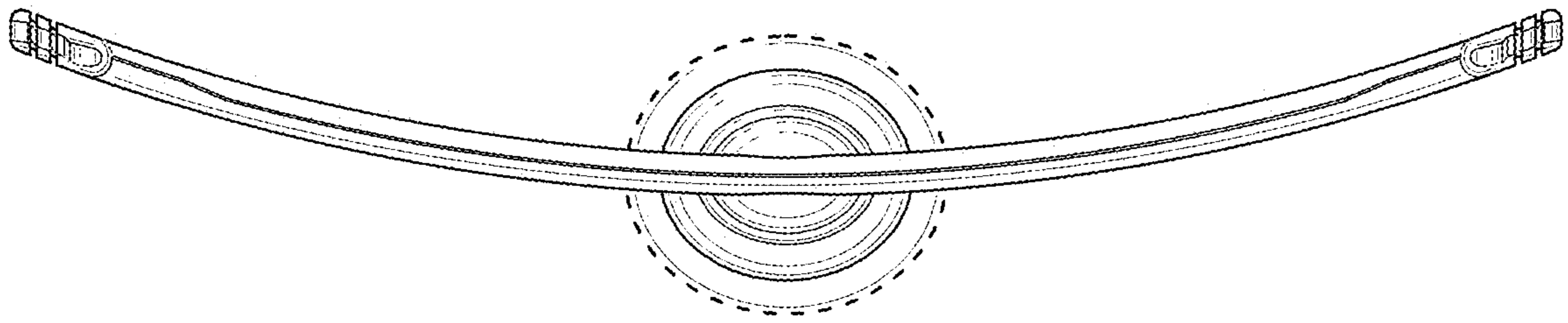


FIG. 6

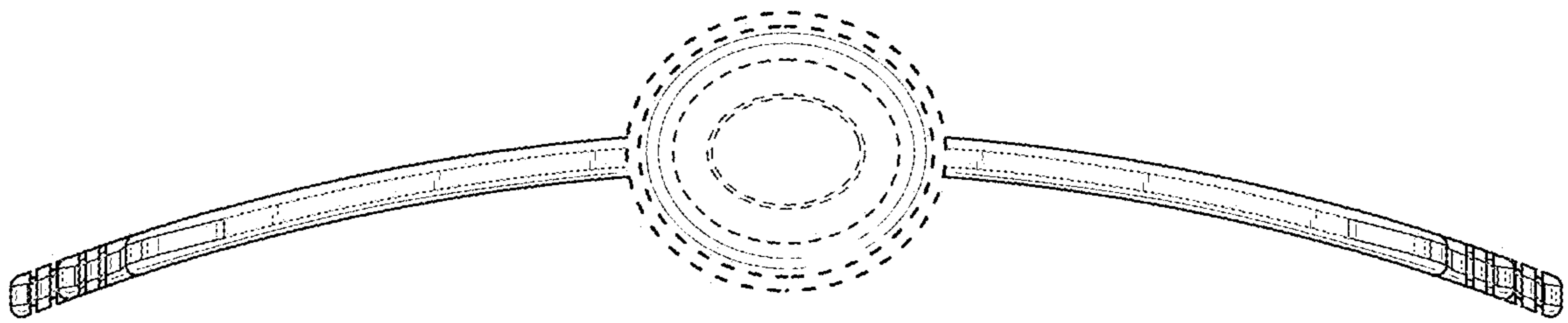


FIG. 7

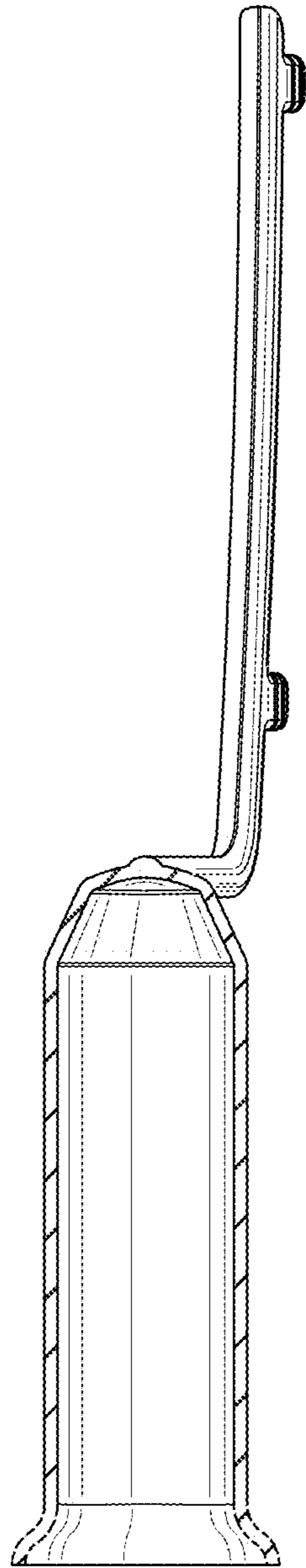


FIG. 8