



US00D959650S

(12) **United States Design Patent**  
**Holmqvist**

(10) **Patent No.:** **US D959,650 S**

(45) **Date of Patent:** **\*\* Aug. 2, 2022**

(54) **INJECTION INSTRUMENT**

(71) Applicant: **Naslund Medical AB**, Huddinge (SE)

(72) Inventor: **Anders Holmqvist**, Varmdo (SE)

(73) Assignee: **Naslund Medical AB**, Huddinge (SE)

(\*\*) Term: **15 Years**

(21) Appl. No.: **29/729,883**

(22) Filed: **Mar. 31, 2020**

(51) **LOC (13) Cl.** ..... **24-02**

(52) **U.S. Cl.**  
USPC ..... **D24/113**

(58) **Field of Classification Search**

USPC ..... D24/108, 112–114, 127, 130, 133, 186;  
600/101, 139, 143; 604/167.04, 181, 184,  
604/187, 227, 264, 272; 606/181, 185

(Continued)

(56) **References Cited**

U.S. PATENT DOCUMENTS

D138,589 S \* 8/1944 Brandenburg ..... D24/114  
3,406,685 A \* 10/1968 May ..... A61M 25/0014  
604/164.11

(Continued)

*Primary Examiner* — Jonathan J Han

*Assistant Examiner* — Amanda J Berlinski

(74) *Attorney, Agent, or Firm* — Fox Rothschild LLP

(57) **CLAIM**

The ornamental design for an injection instrument, as shown and described.

**DESCRIPTION**

FIG. 1 is a perspective view of an injection instrument assembly with a stopper and protective tube attached.

FIG. 2 is an enlarged view of the area 2 encircled by broken lines in FIG. 1.

FIG. 3 is an enlarged rear view of the injection instrument assembly of FIG. 1.

FIG. 4 is an enlarged front view of the injection instrument assembly of FIG. 1.

FIG. 5 is a left side view of the injection instrument assembly of FIG. 1.

FIG. 6 is an enlarged view of the area 6 encircled by broken lines in FIG. 5.

FIG. 7 is a right side view of the injection instrument assembly of FIG. 1.

FIG. 8 is a top view of the injection instrument assembly of FIG. 1.

FIG. 9 is an enlarged view of the area 9 encircled by broken lines in FIG. 8.

FIG. 10 is a bottom view of the injection instrument assembly of FIG. 1.

FIG. 11 is an exploded perspective view of the injection instrument assembly of FIG. 1.

FIG. 12 is an exploded right side view of the injection instrument assembly of FIG. 1.

FIG. 13 is an exploded bottom view of the injection instrument assembly of FIG. 1.

FIG. 14 is a perspective view of the injection instrument assembly of FIG. 1 with a stopper attached.

FIG. 15 is an enlarged view of the area 15 encircled by broken lines in FIG. 14.

FIG. 16 is an enlarged rear view of the injection instrument assembly of FIG. 14.

FIG. 17 is an enlarged front view of the injection instrument assembly of FIG. 14.

FIG. 18 is a left side view of the injection instrument assembly of FIG. 14.

FIG. 19 is an enlarged view of the area 19 encircled by broken lines in FIG. 18.

FIG. 20 is a right side view of the injection instrument assembly of FIG. 14.

FIG. 21 is a top view of the injection instrument assembly of FIG. 14.

FIG. 22 is an enlarged view of the area 22 encircled by broken lines in FIG. 21.

FIG. 23 is a bottom view of the injection instrument assembly of FIG. 14.

(Continued)

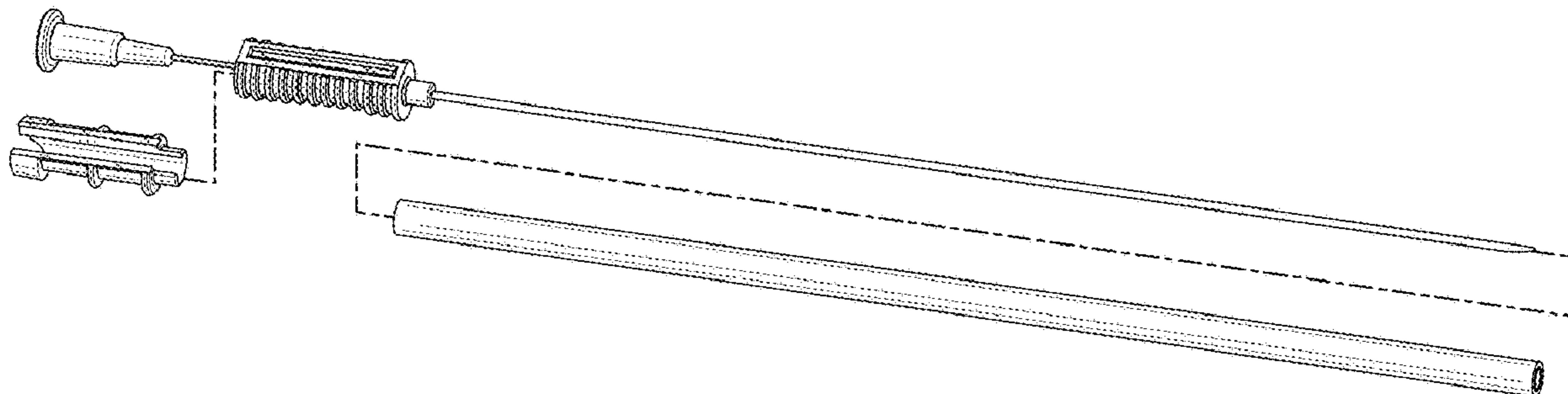


FIG. 24 is a perspective view of the injection instrument assembly of FIG. 1 with a protective tube attached.  
 FIG. 25 is an enlarged view of the area 25 encircled by broken lines in FIG. 24.  
 FIG. 26 is an enlarged rear view of the injection instrument assembly of FIG. 24.  
 FIG. 27 is an enlarged front view of the injection instrument assembly of FIG. 24.  
 FIG. 28 is a left side view of the injection instrument assembly of FIG. 24.  
 FIG. 29 is an enlarged view of the area 29 encircled by broken lines in FIG. 28.  
 FIG. 30 is a right side view of the injection instrument assembly of FIG. 24.  
 FIG. 31 is a top view of the injection instrument assembly of FIG. 24.  
 FIG. 32 is an enlarged view of the area encircled by broken lines in FIG. 31.  
 FIG. 33 is a bottom view of the injection instrument assembly of FIG. 24.  
 FIG. 34 is a perspective view of the injection instrument assembly of FIG. 1.  
 FIG. 35 is an enlarged view of the area 35 encircled by broken lines in FIG. 34.  
 FIG. 36 is an enlarged rear view of the injection instrument assembly of FIG. 34.  
 FIG. 37 is an enlarged front view of the injection instrument assembly of FIG. 34.  
 FIG. 38 is a left side view of the injection instrument assembly of FIG. 34.  
 FIG. 39 is an enlarged view of the area 39 encircled by broken lines in FIG. 38.  
 FIG. 40 is a right side view of the injection instrument assembly of FIG. 34.  
 FIG. 41 is a top view of the injection instrument assembly of FIG. 34.  
 FIG. 42 is an enlarged view of the area 42 encircled by broken lines in FIG. 41; and,  
 FIG. 43 is a bottom view of the injection instrument assembly of FIG. 34.  
 The dash-dash broken lines depict portions of the injection instrument assembly that form no part of the claimed design. The dot-dash lines shown in the figures are included to identify areas of enlargement, as well as to represent the relationship between portions of the article that form no part of the claimed design.

**1 Claim, 33 Drawing Sheets**

(58) **Field of Classification Search**

CPC ..... A61M 25/00; A61M 39/00; A61M 27/00;  
 A61M 25/0043; A61M 25/0067; A61M  
 25/0097

See application file for complete search history.

(56)

**References Cited**

U.S. PATENT DOCUMENTS

3,993,079	A *	11/1976	Henriques de Gatztanondo .....	A61B 17/3417
				604/164.01
D252,470	S *	7/1979	Pawlak .....	604/129
4,365,630	A *	12/1982	McFarlane .....	A61M 25/0693
				600/576
D282,008	S *	12/1985	McFarlane .....	D24/113
D298,171	S *	10/1988	McFarlane .....	D24/112
D302,589	S *	8/1989	McMenamy .....	D24/112
D304,079	S *	10/1989	McFarlane .....	D24/112
5,104,381	A *	4/1992	Gresl .....	A61B 1/00135
				604/158
D342,995	S *	1/1994	Simmons .....	D24/112
D353,668	S *	12/1994	Banks .....	D24/112
5,688,249	A *	11/1997	Chang .....	A61M 25/0625
				604/198
D397,434	S *	8/1998	Pike .....	A61M 25/0693
				D24/112
D445,495	S *	7/2001	Schaefer .....	A61M 25/0014
				D24/108
6,258,071	B1 *	7/2001	Brookes .....	A61B 17/3401
				600/410
D460,822	S *	7/2002	Dragan .....	D24/119
D462,588	S *	9/2002	Kisby .....	D21/679
D471,980	S *	3/2003	Caizza .....	D24/130
6,663,592	B2 *	12/2003	Rhad .....	A61M 5/3273
				128/919
D497,990	S *	11/2004	Jutila .....	D24/114
7,470,254	B2 *	12/2008	Basta .....	A61M 25/01
				604/167.04
D609,804	S *	2/2010	Uchida .....	D24/112
D640,785	S *	6/2011	Lee .....	A61B 8/481
				D24/112
D687,548	S *	8/2013	Hayashi .....	D24/130
D700,318	S *	2/2014	Amoah .....	D24/112
D748,777	S *	2/2016	Uenishi .....	D24/130
D752,215	S *	3/2016	Blennow .....	D24/130
9,408,946	B2 *	8/2016	Utas .....	A61L 29/14
D806,861	S *	1/2018	Amano .....	A61M 25/01
				D24/112
D832,426	S *	10/2018	Holton .....	D24/127
D846,116	S *	4/2019	Naughton .....	D24/130
D867,100	S *	11/2019	Papafagos .....	D8/303
D867,581	S *	11/2019	Schneider .....	D24/112
D892,592	S *	8/2020	Patil .....	B25B 23/0035
				D8/107
D902,387	S *	11/2020	Oellgaard .....	A61M 1/00
				D24/112
D907,769	S *	1/2021	Khalaj .....	D24/130
D923,784	S *	6/2021	Pupino .....	D24/130
11,298,508	B2 *	4/2022	Ishida .....	A61M 25/0068
2007/0191776	A1 *	8/2007	Bialecki .....	A61M 25/0606
				604/164.08
2011/0125097	A1 *	5/2011	Shaw .....	A61M 5/158
				604/164.12
2012/0095404	A1 *	4/2012	Massengale .....	A61B 8/481
				604/164.01
2015/0151088	A1 *	6/2015	Lim .....	A61M 25/0097
				604/247
2019/0030294	A1 *	1/2019	McLaughlin .....	A61M 25/0662
2020/0155261	A1 *	5/2020	O'Flynn .....	B65D 81/22
2021/0161640	A1 *	6/2021	Koiso .....	A61M 1/00
2022/0072276	A1 *	3/2022	Fominas .....	A61M 25/0119

\* cited by examiner

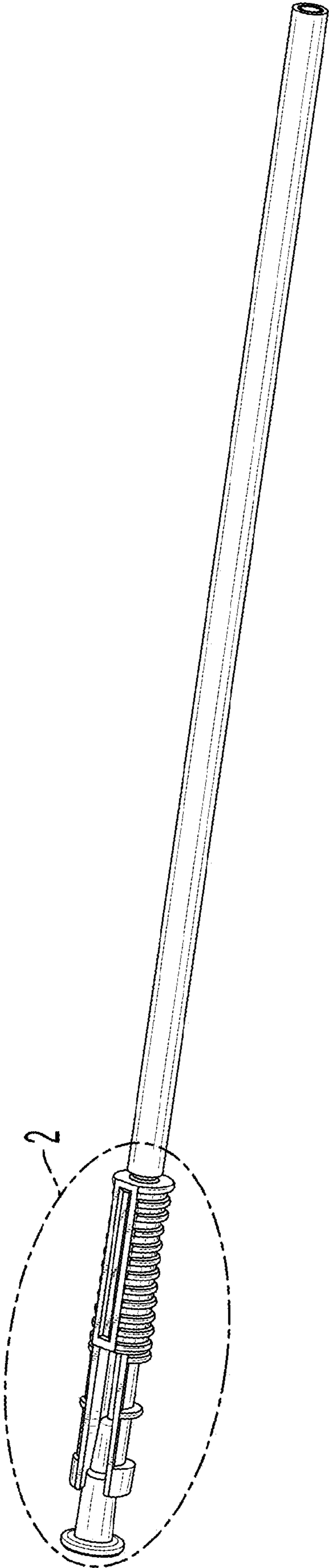


FIG. 1

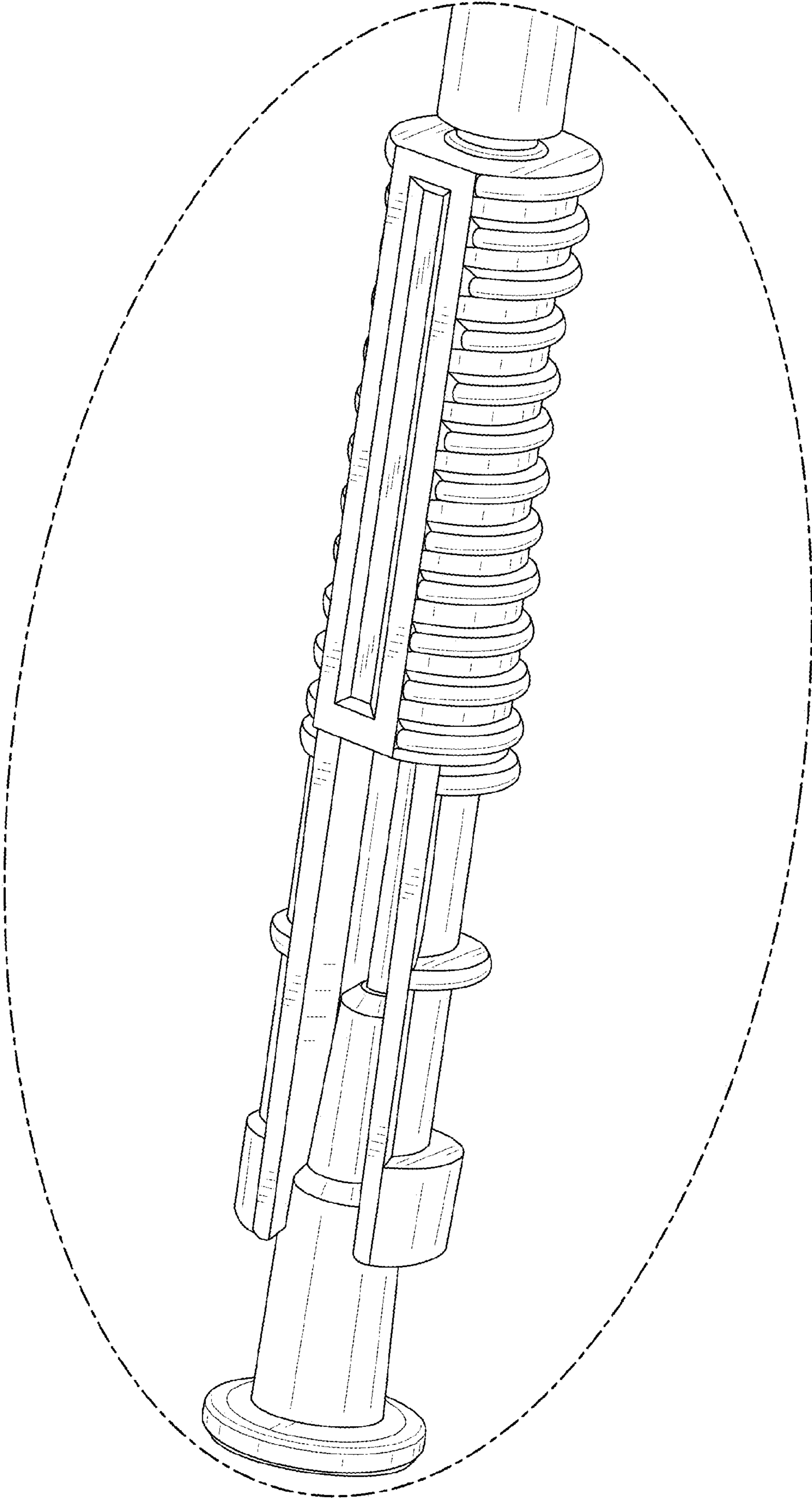


FIG. 2

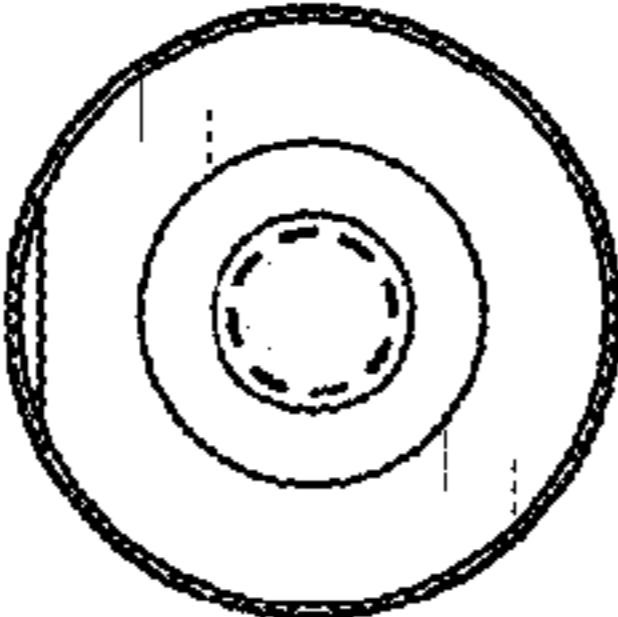


FIG. 3

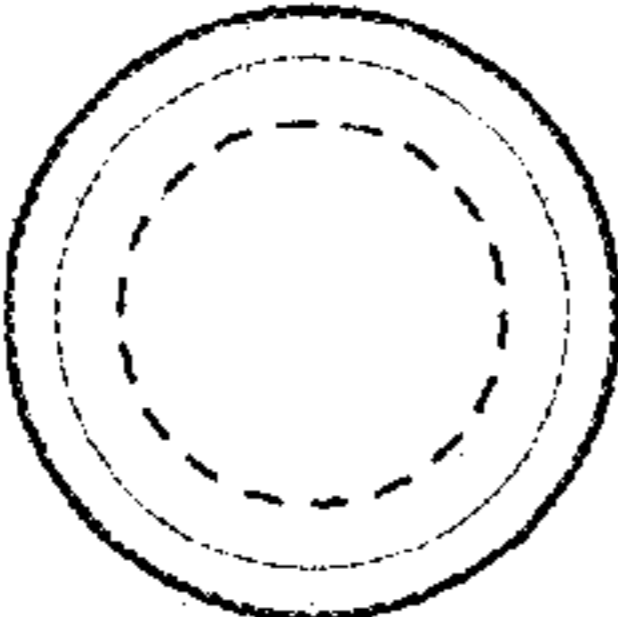


FIG. 4

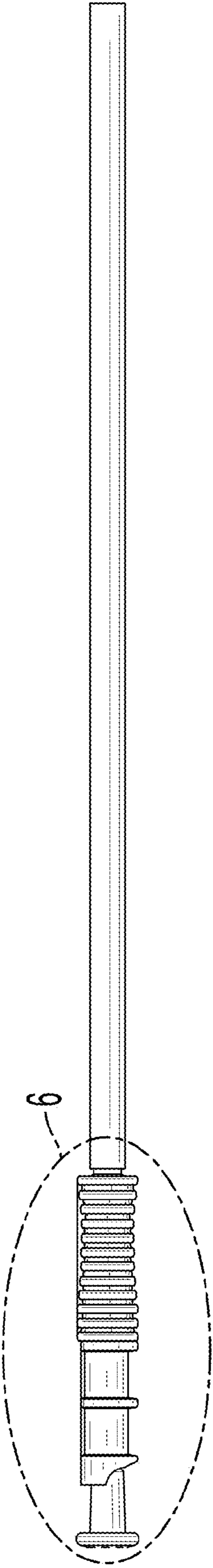


FIG. 5

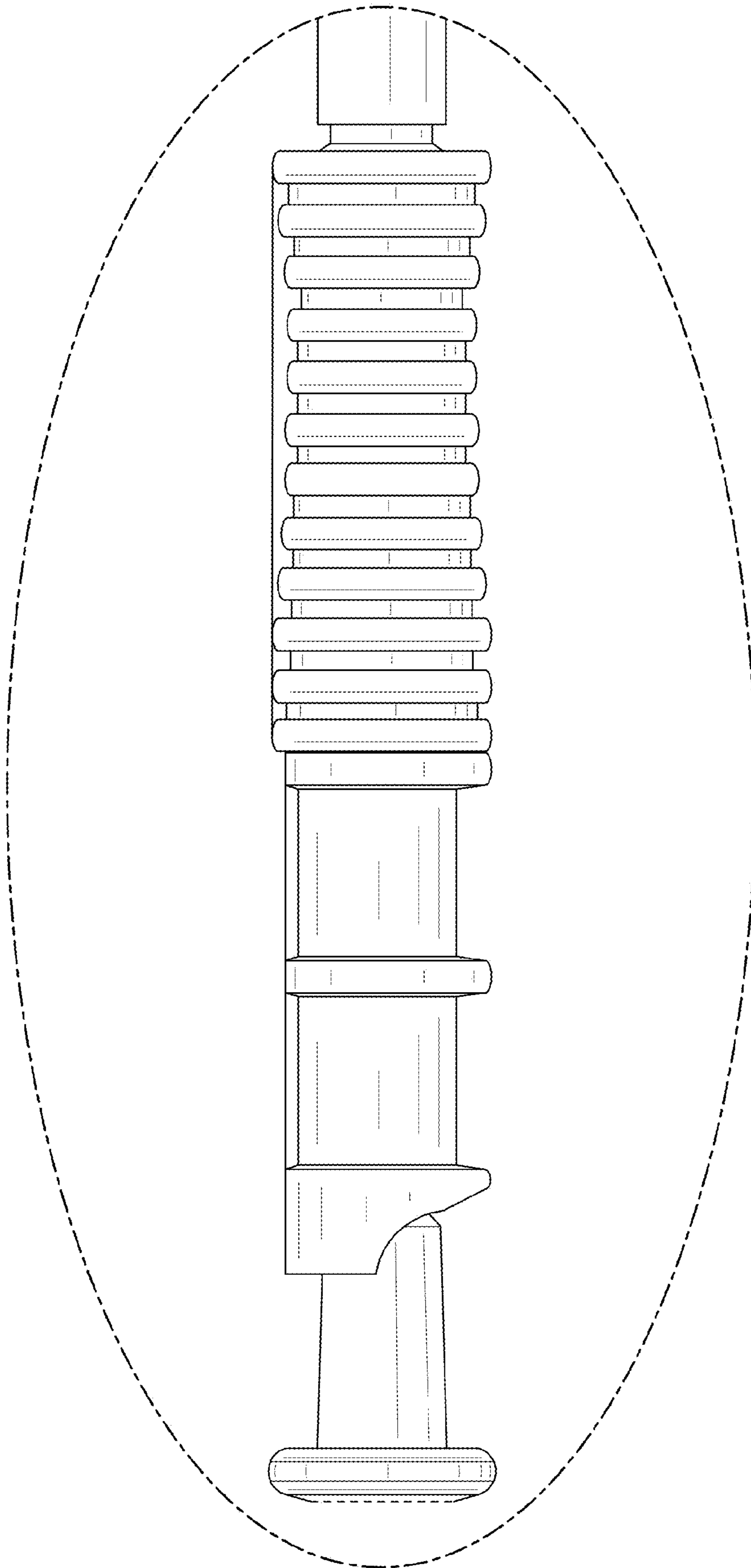


FIG. 6

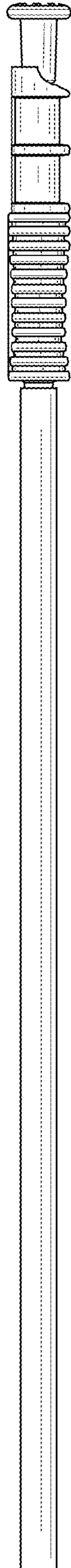


FIG. 7

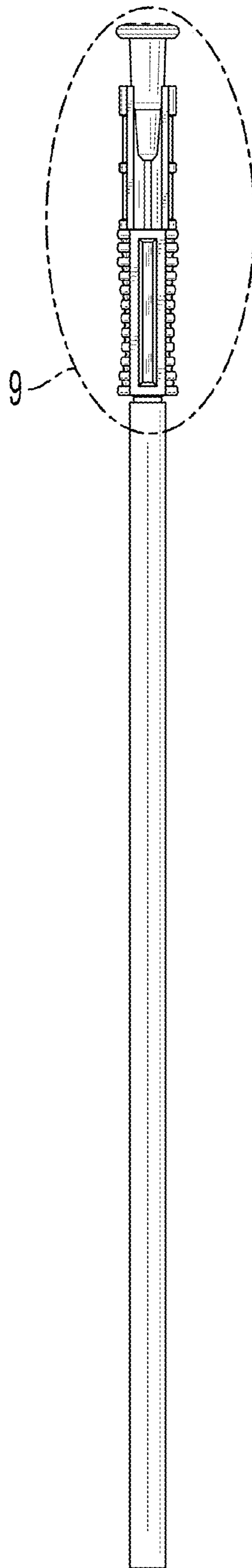


FIG. 8



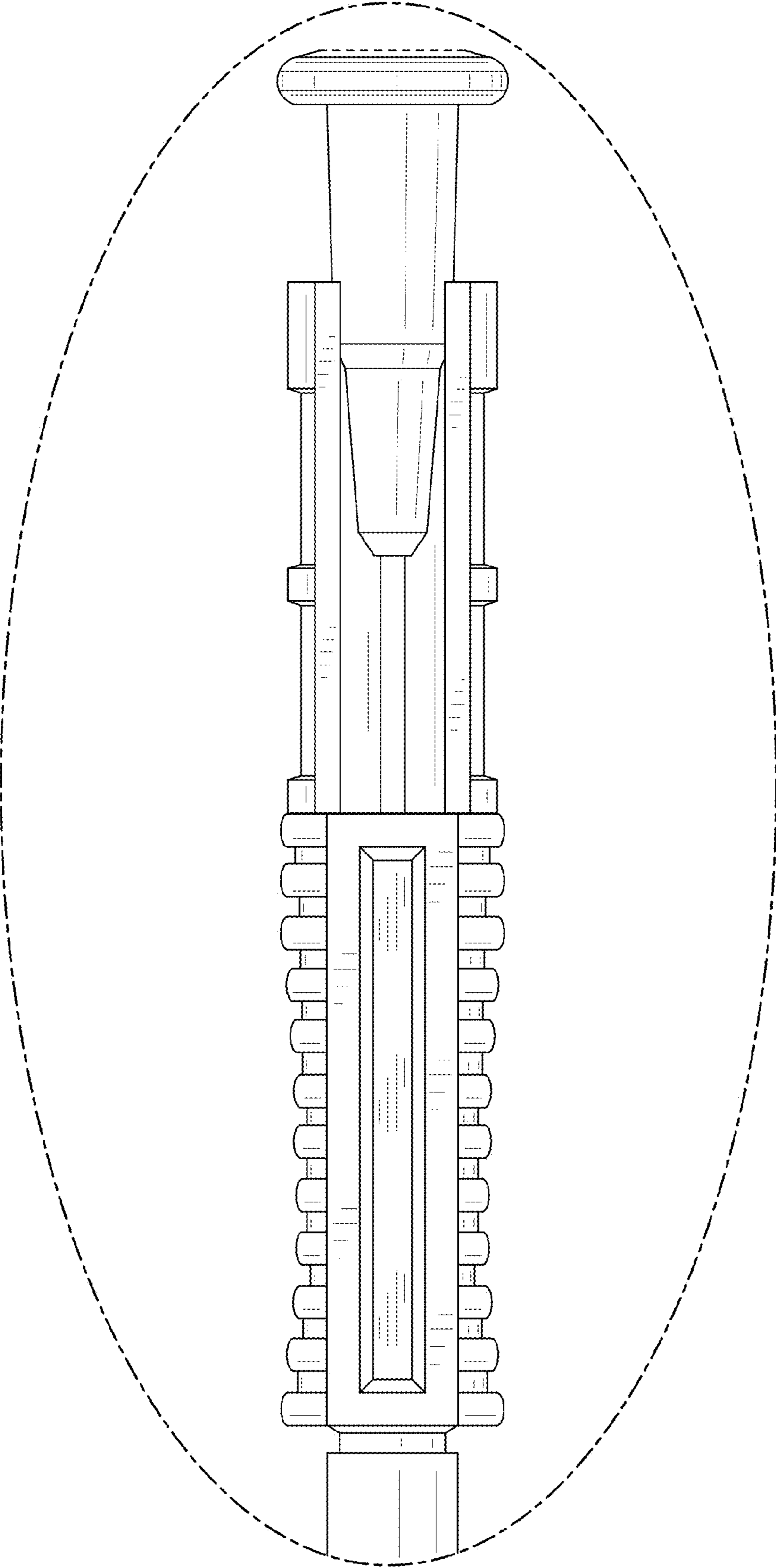


FIG. 9

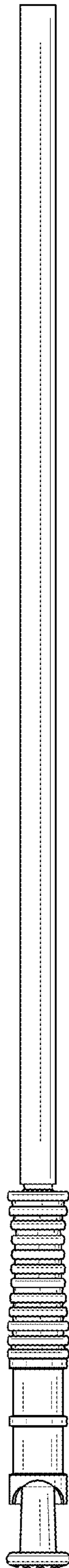
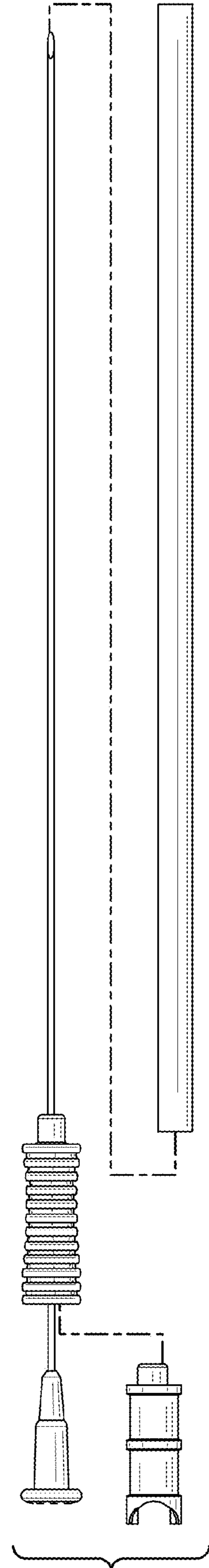
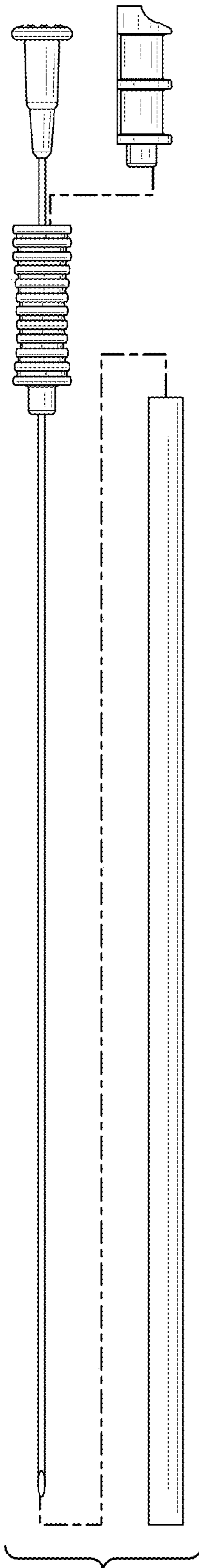
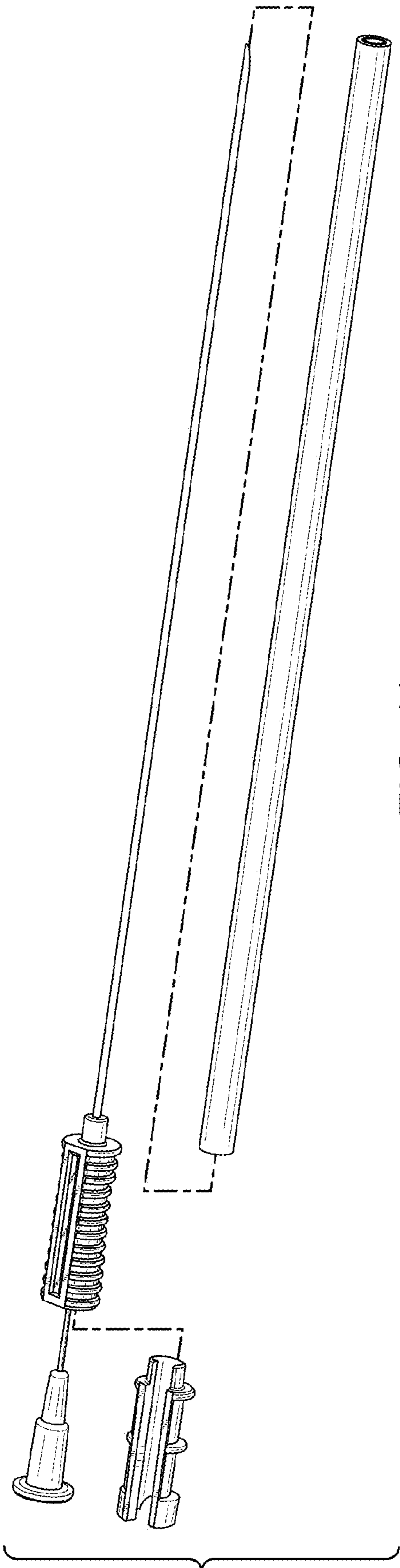


FIG. 10



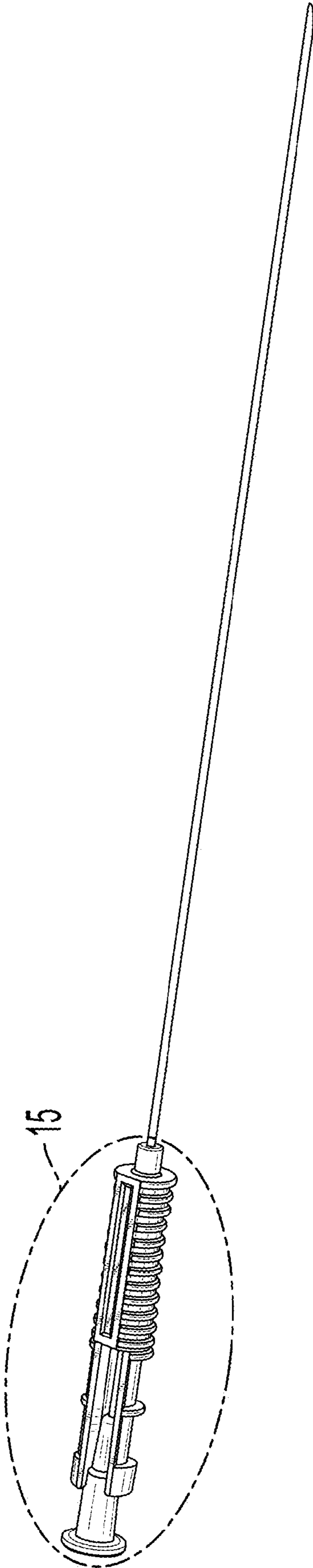


FIG. 14

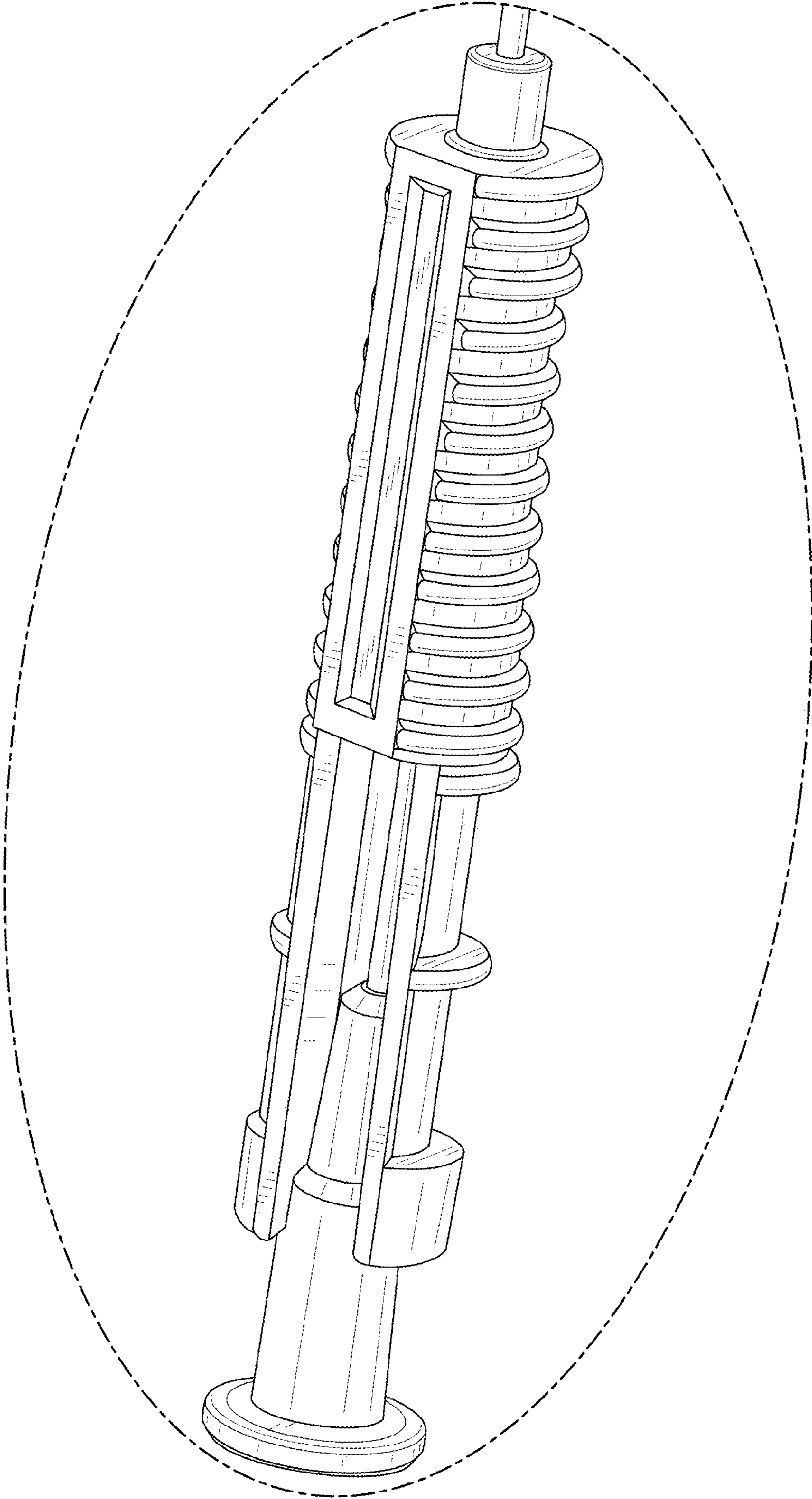


FIG. 15

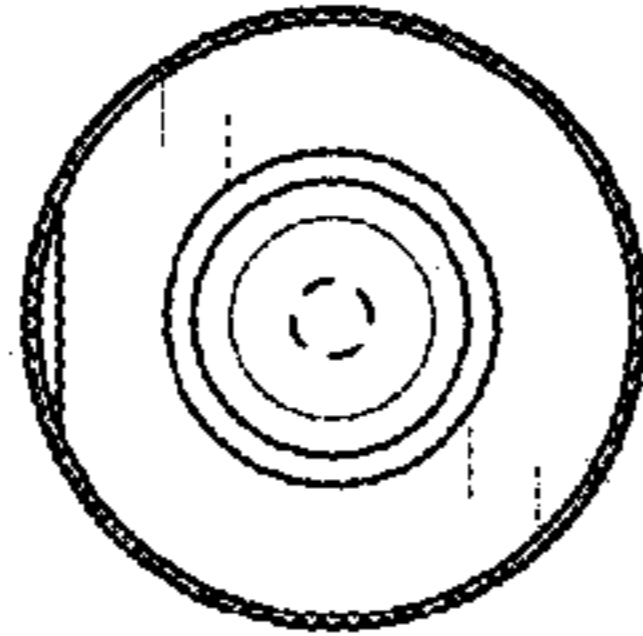


FIG. 17

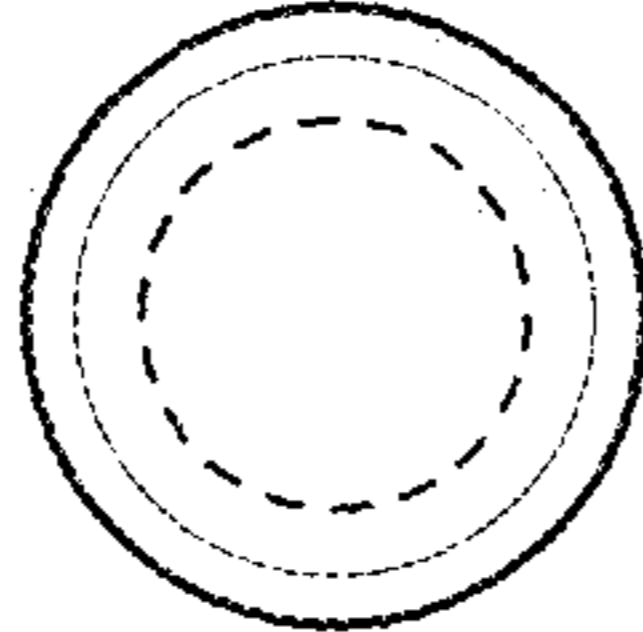


FIG. 16

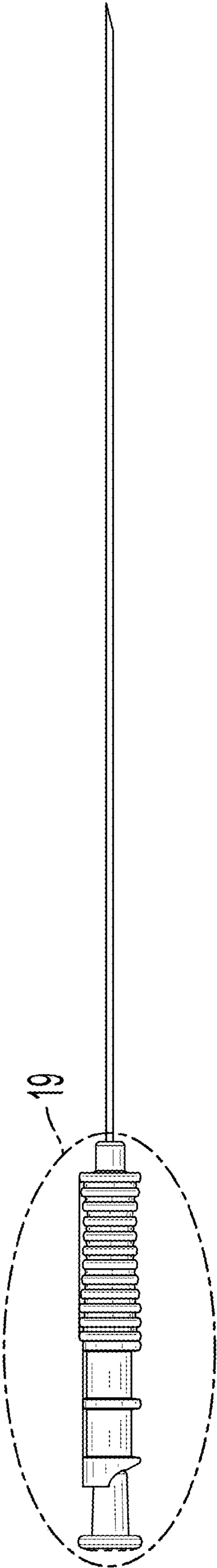


FIG. 18

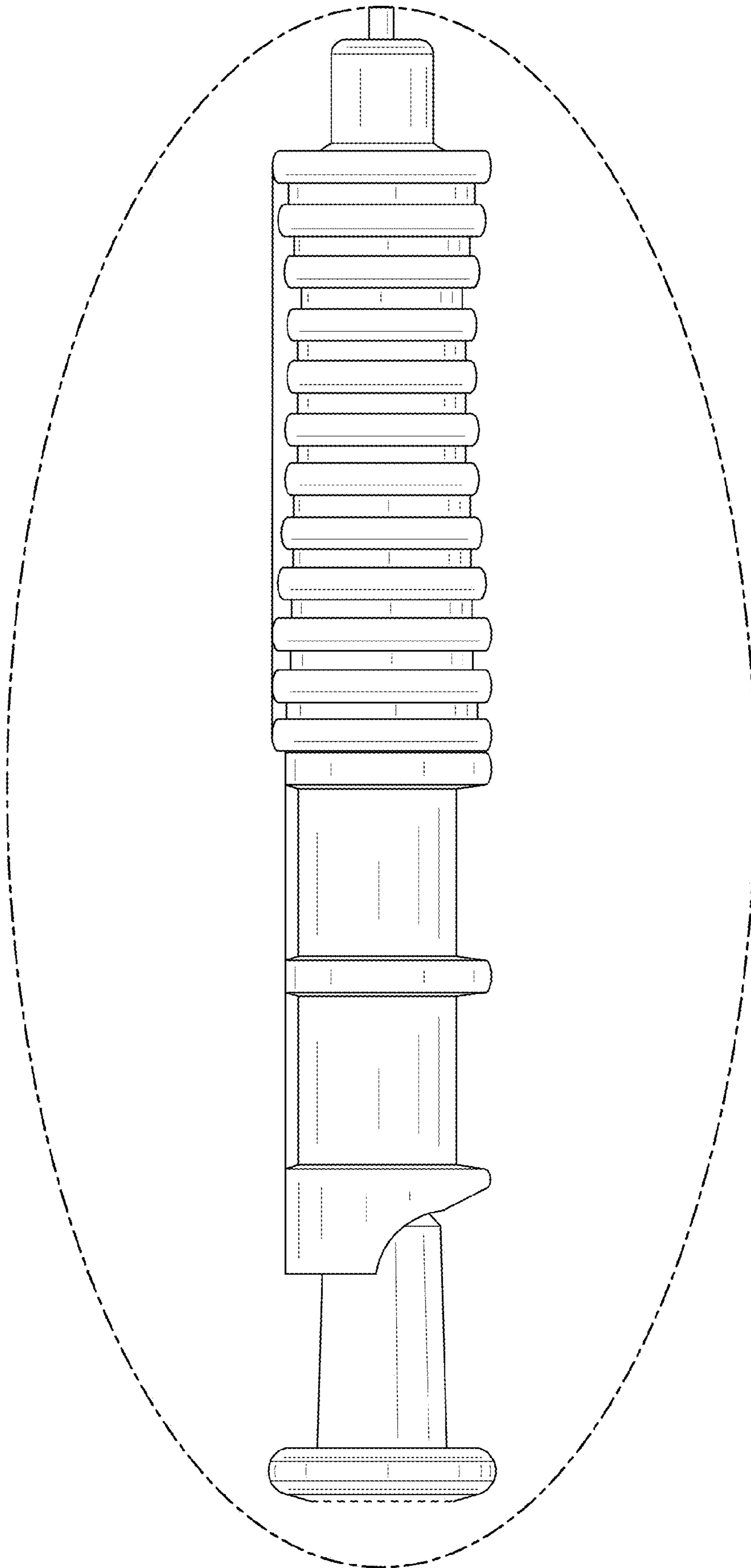


FIG. 19



FIG. 20



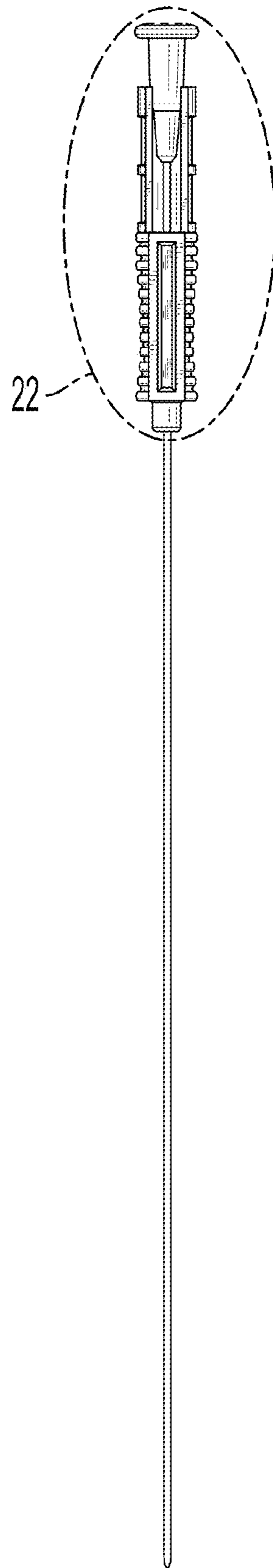


FIG. 21

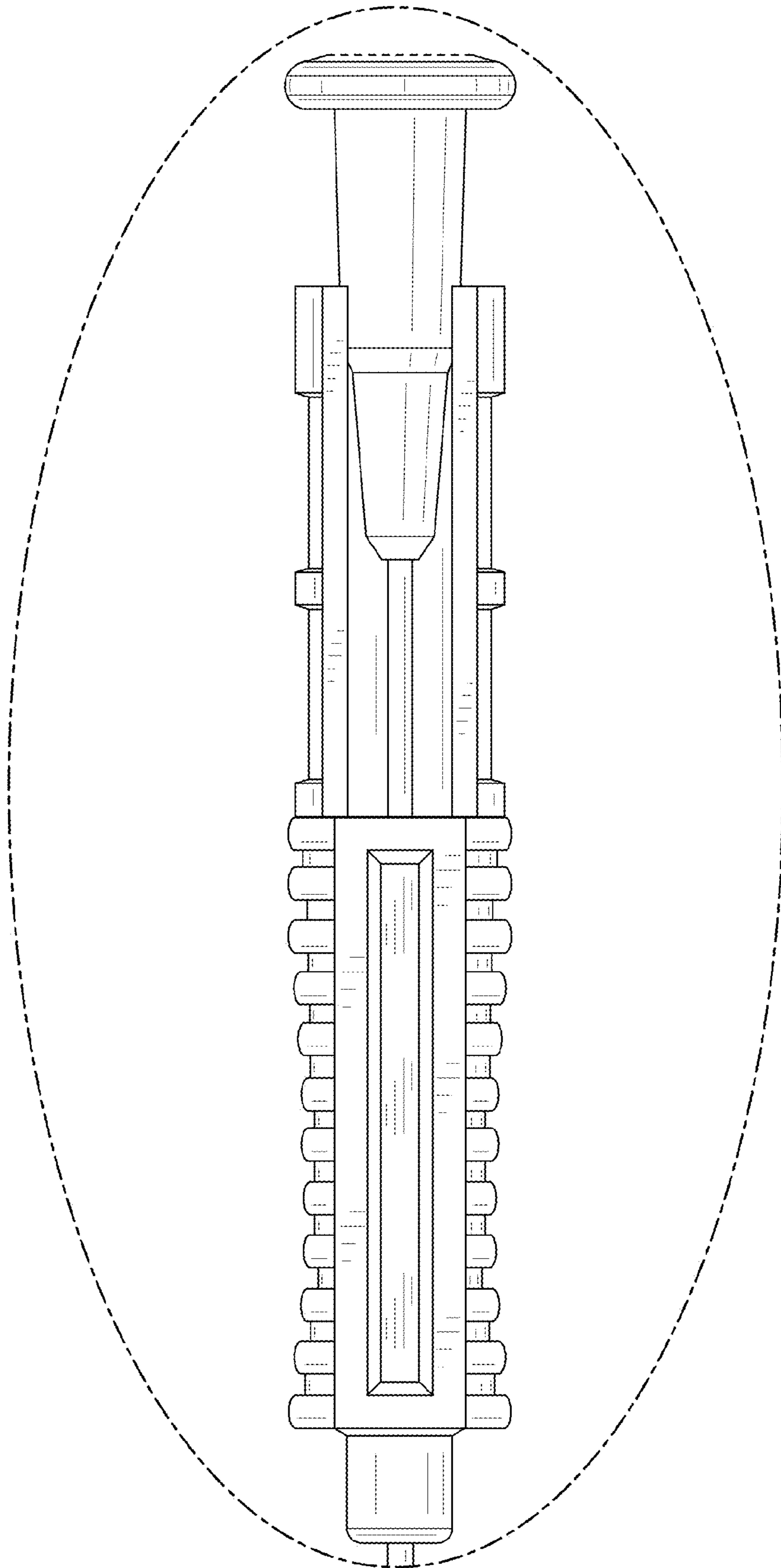


FIG. 22

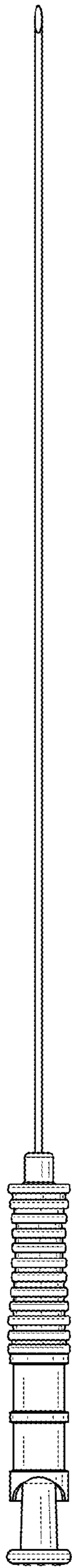


FIG. 23

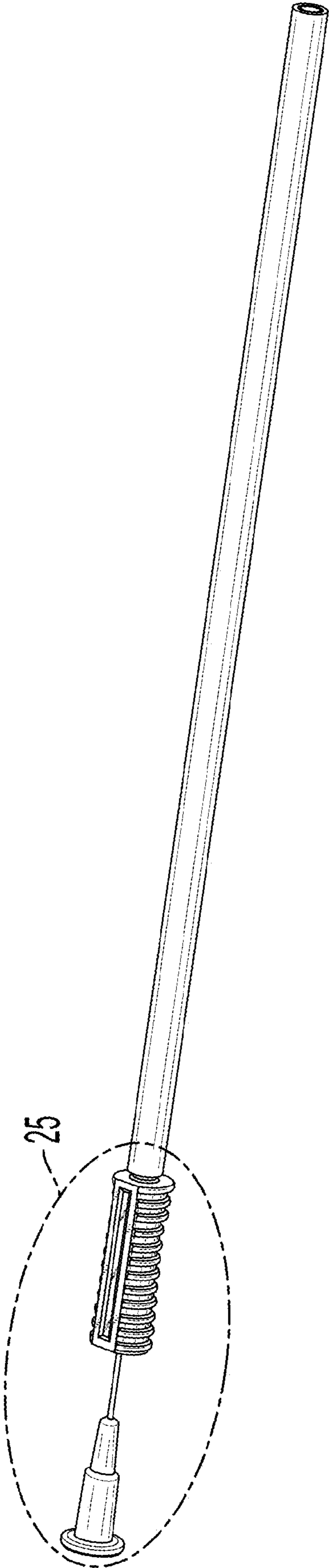


FIG. 24

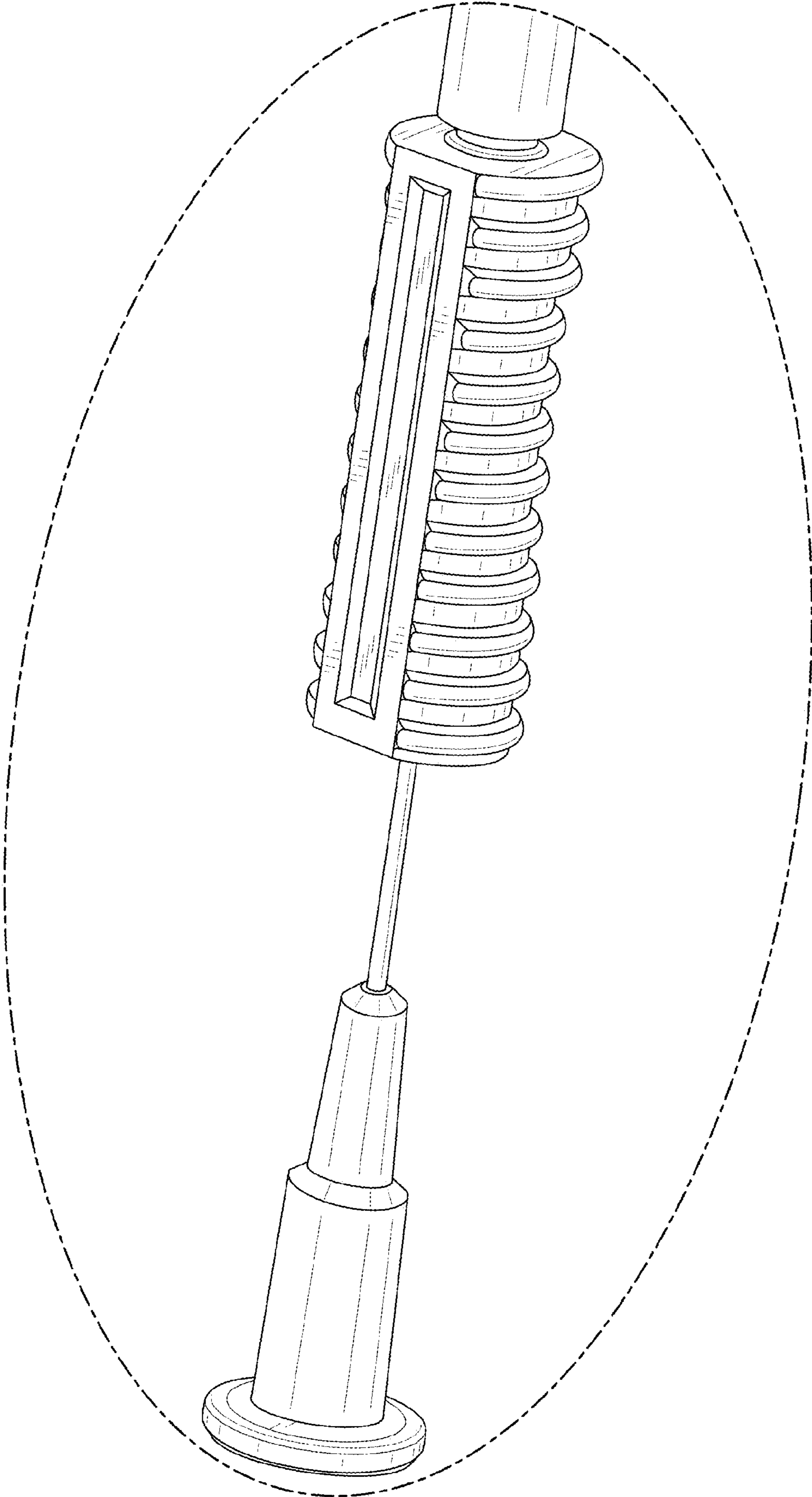


FIG. 25

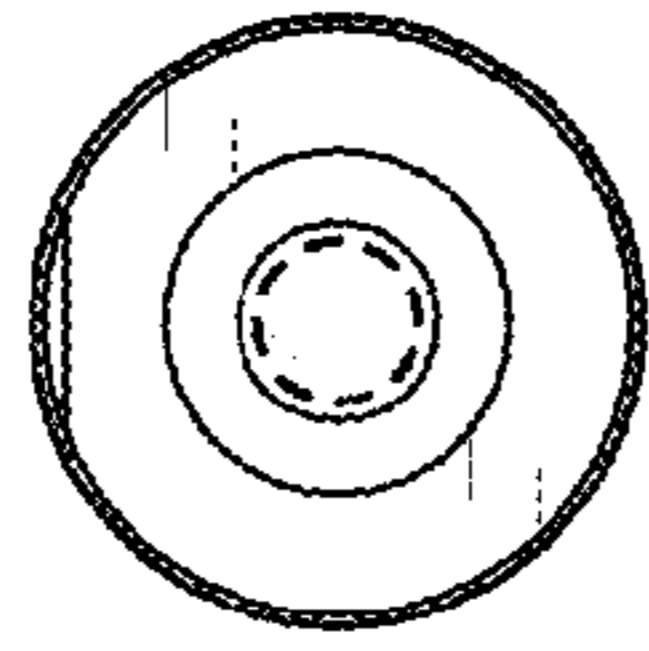


FIG. 27

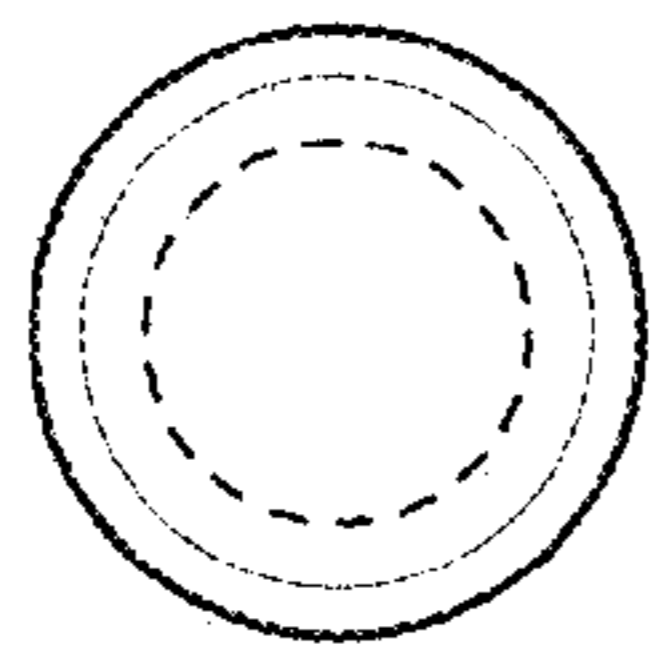


FIG. 26

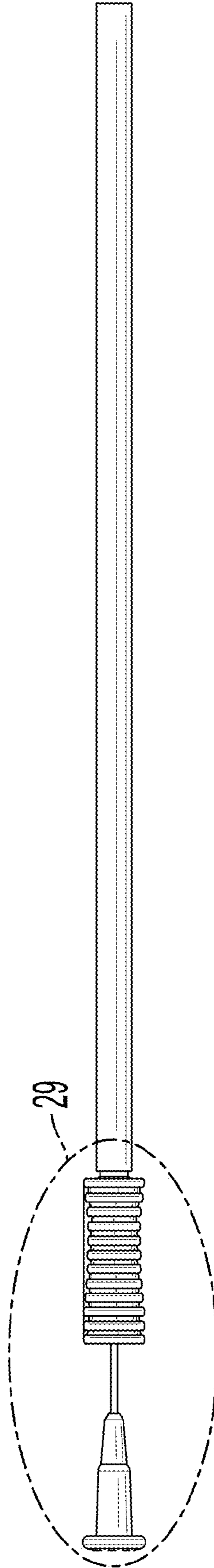


FIG. 28

29

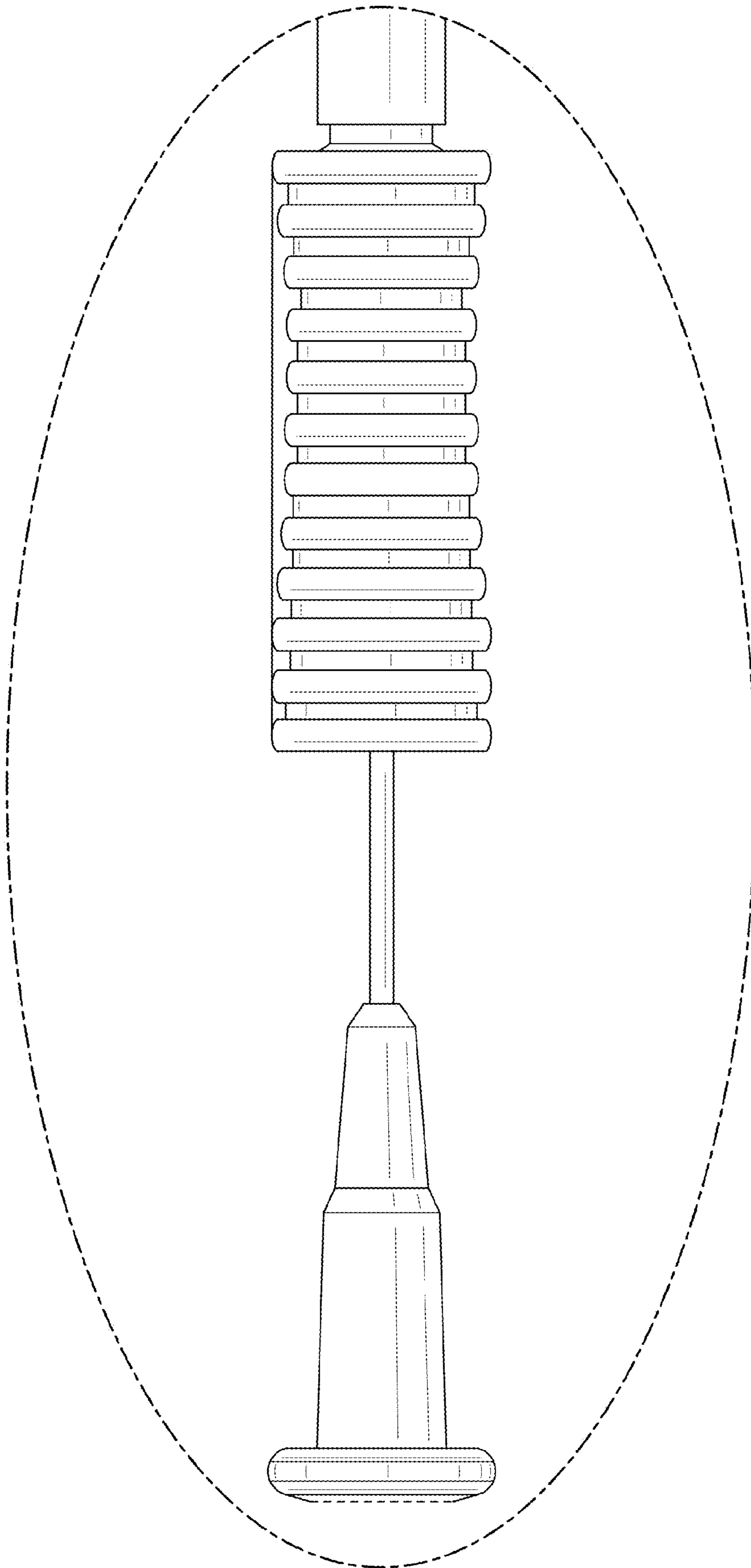


FIG. 29

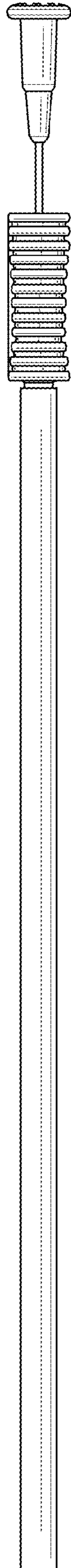


FIG. 30



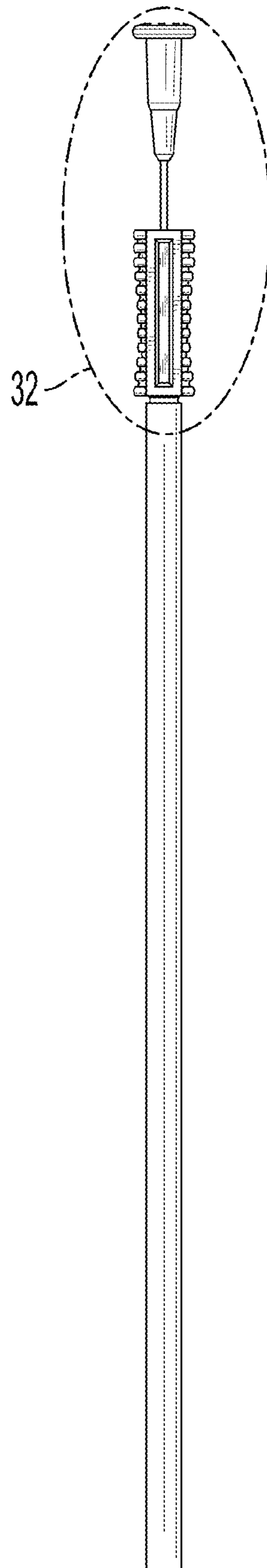


FIG. 31

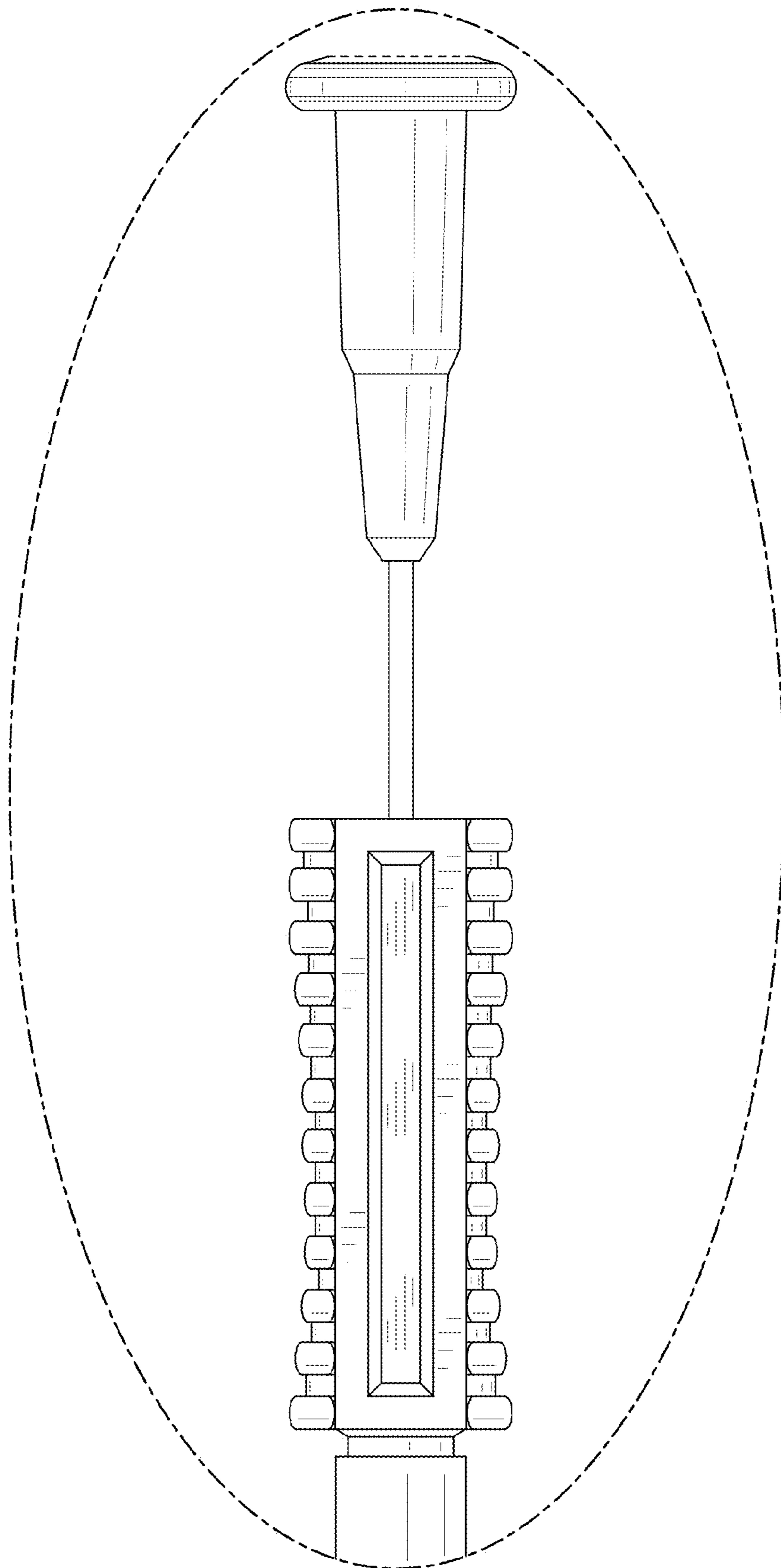


FIG. 32

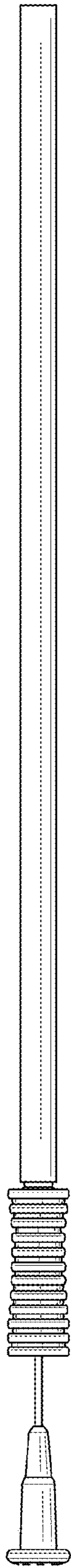


FIG. 33

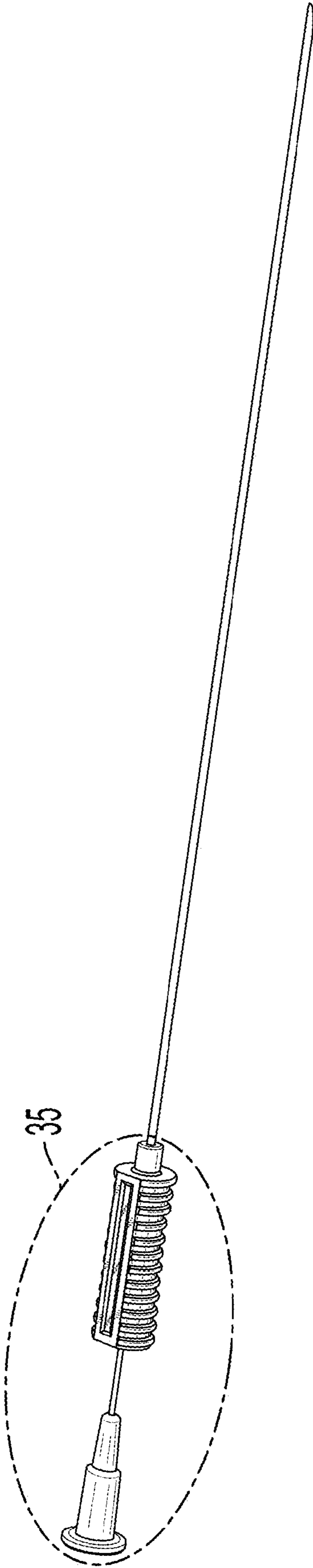


FIG. 34

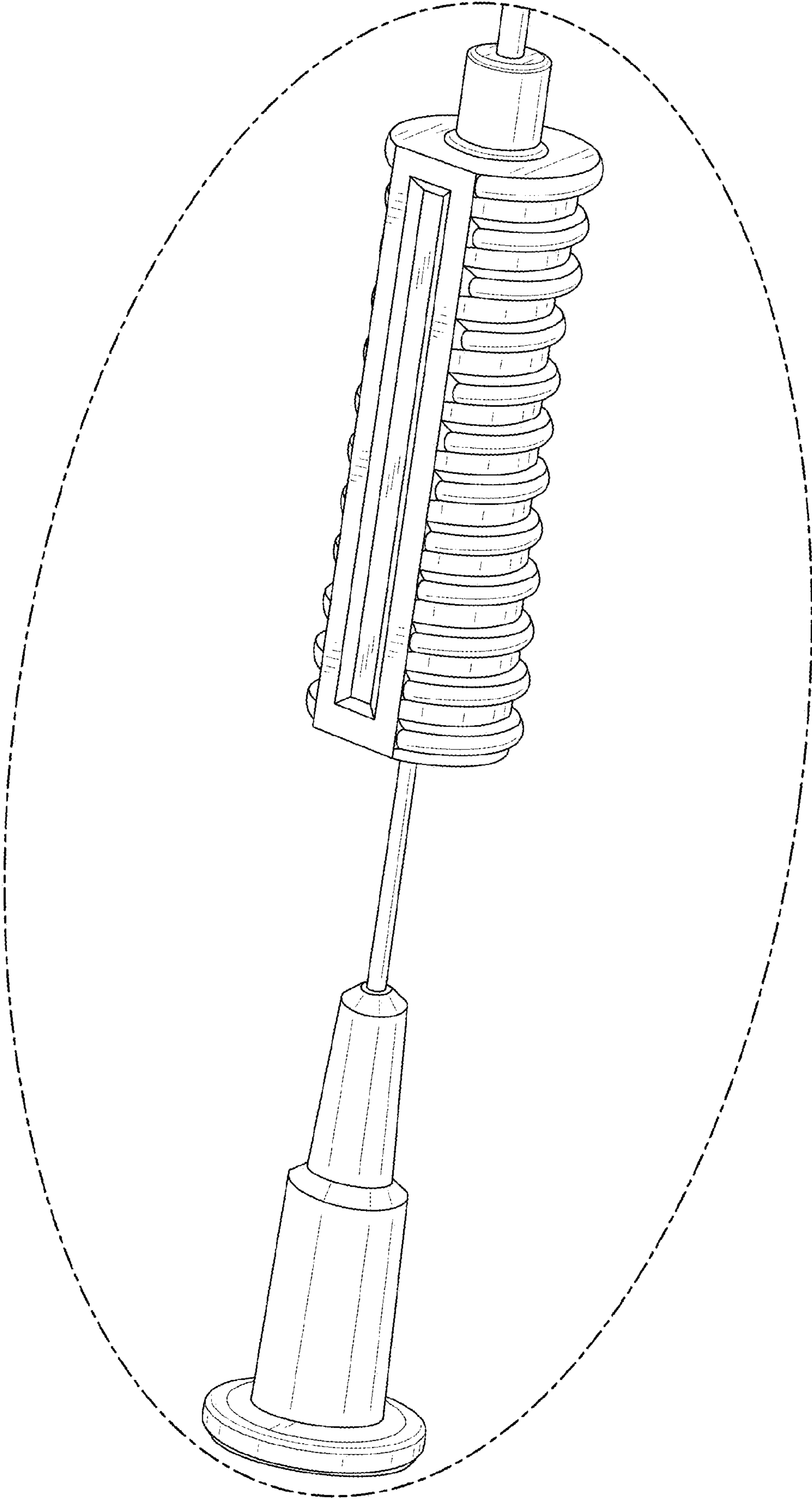


FIG. 35

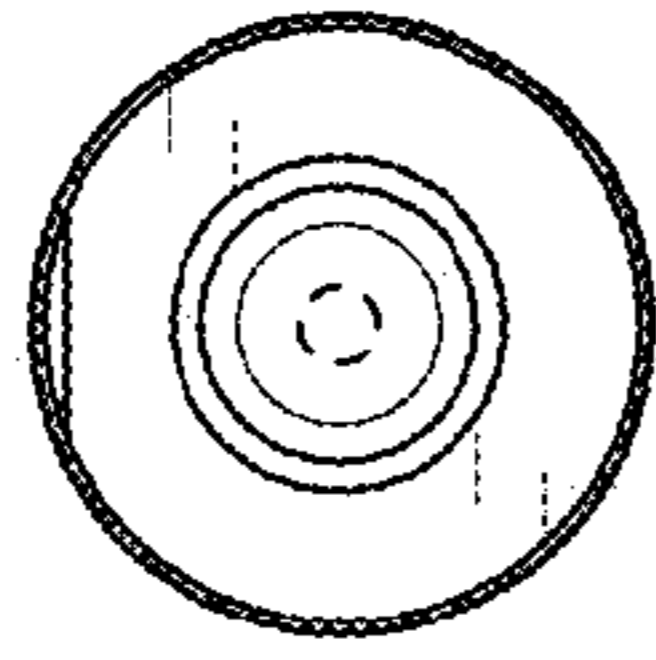


FIG. 36

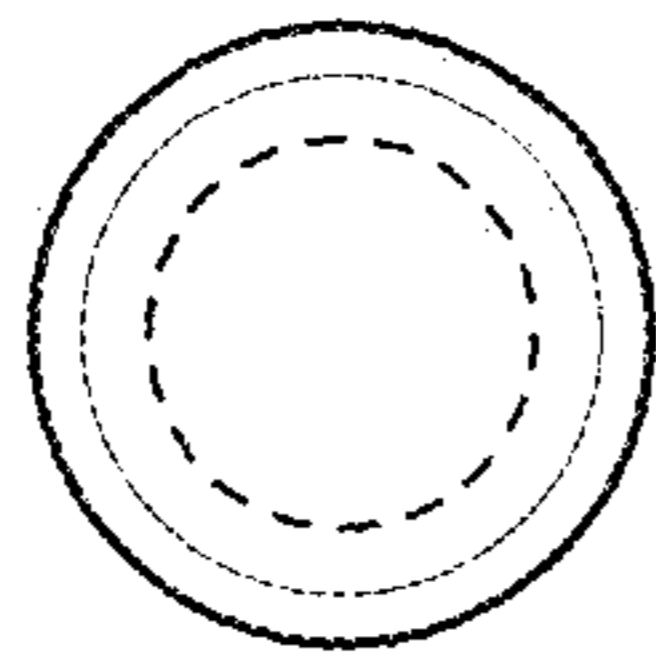


FIG. 37

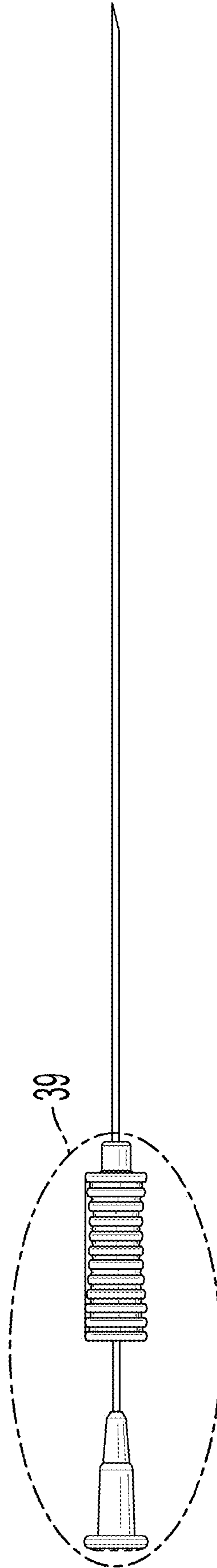


FIG. 38

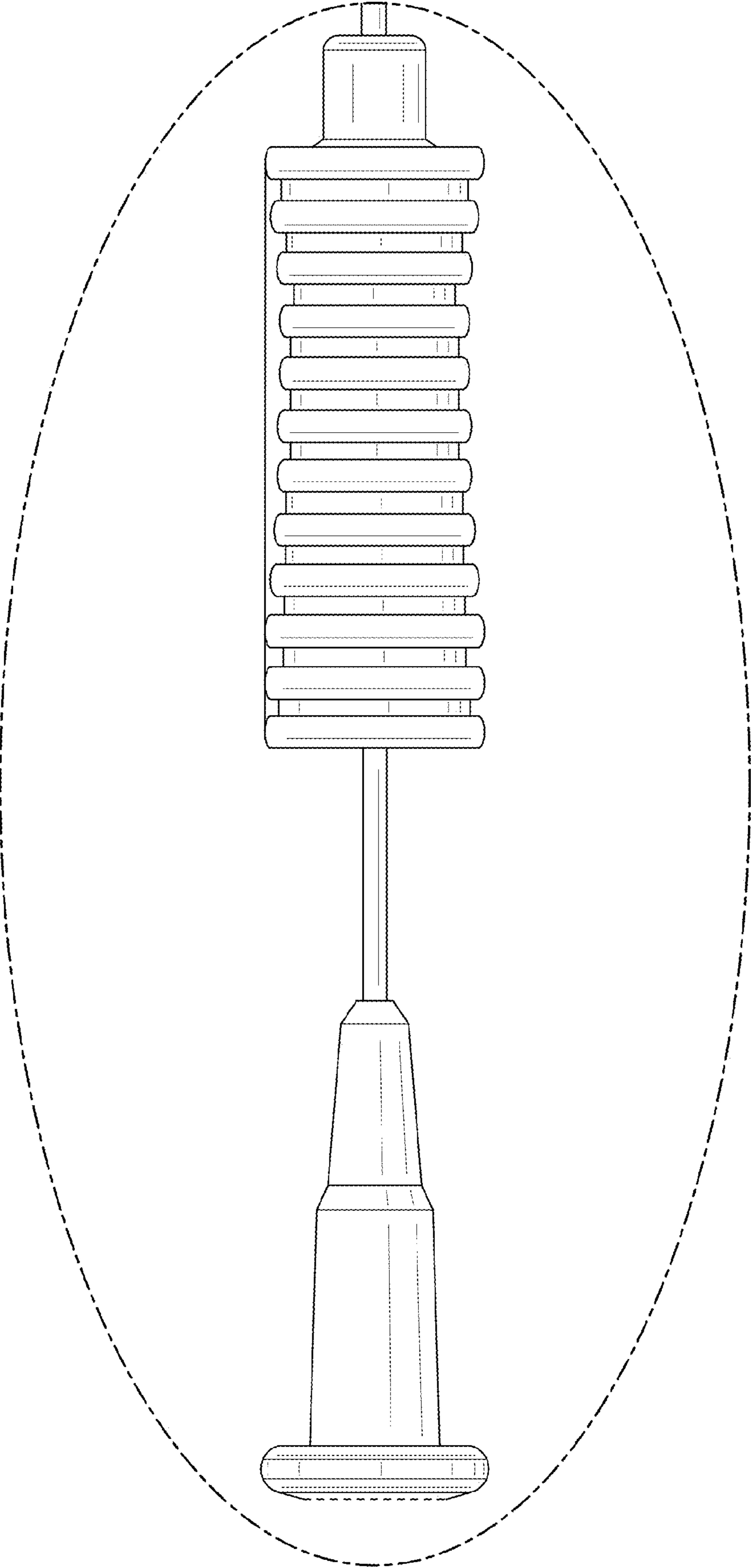


FIG. 39

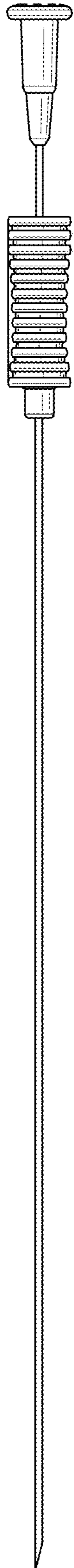


FIG. 40



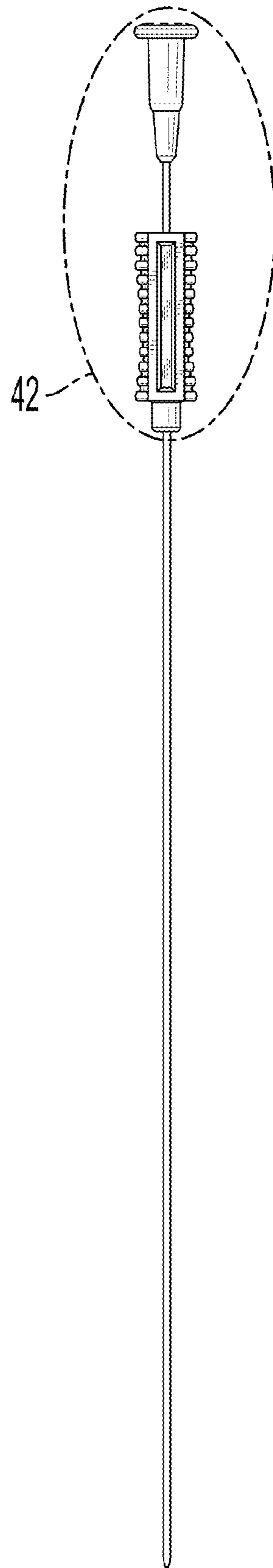


FIG. 41

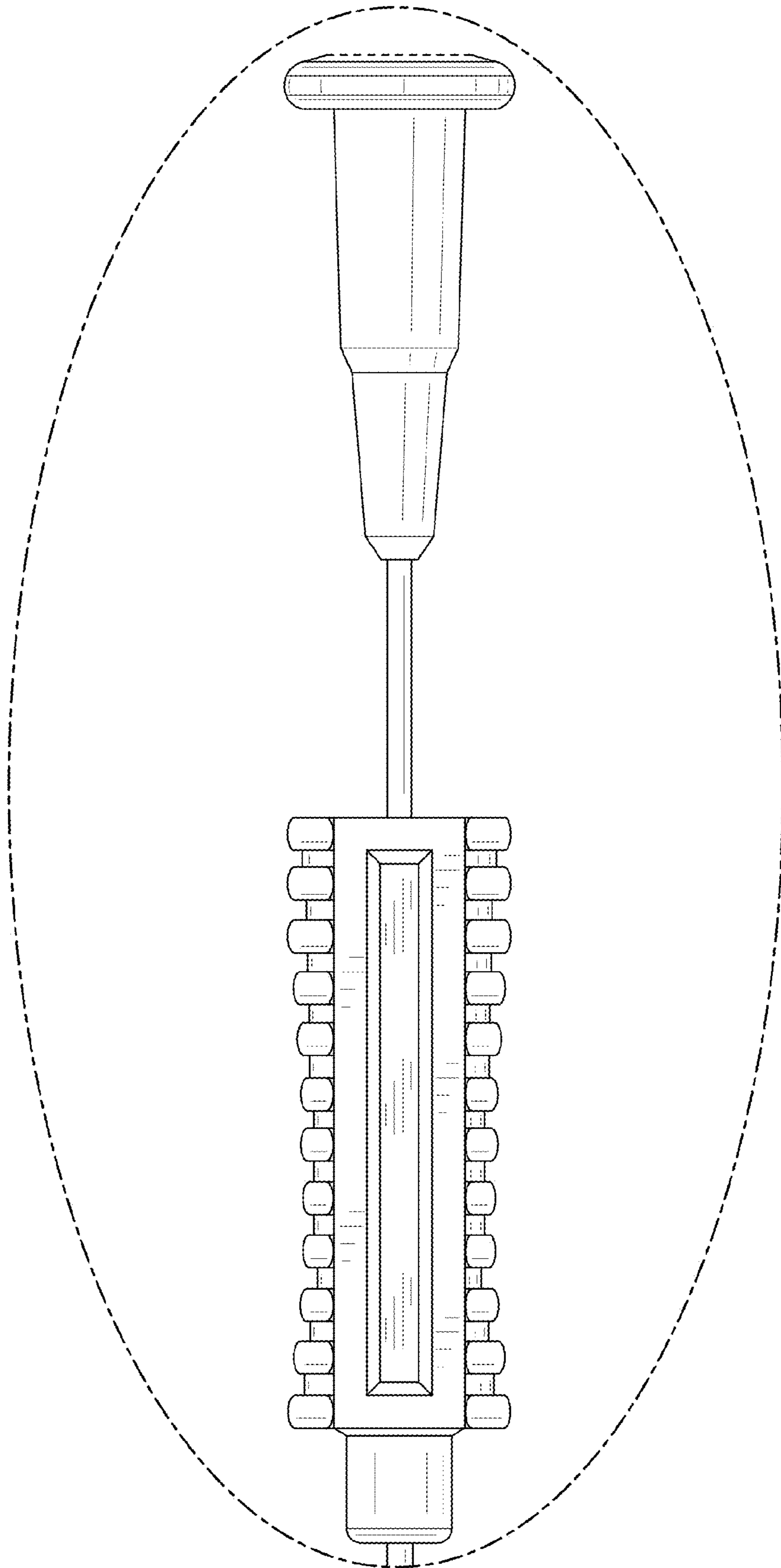


FIG. 42

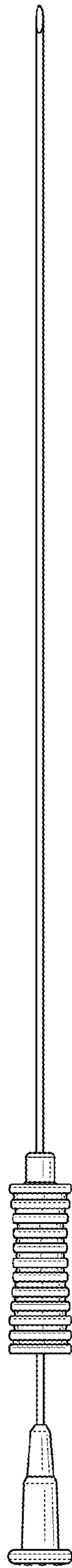


FIG. 43