



US00D959645S

(12) **United States Design Patent**
Eves et al.

(10) **Patent No.:** **US D959,645 S**

(45) **Date of Patent:** **** Aug. 2, 2022**

(54) **PATIENT INTERFACE**

- (71) Applicant: **ResMed Pty Ltd**, Bella Vista (AU)
- (72) Inventors: **Matthew Eves**, Sydney (AU);
Ravikumar Baluchagi, Sydney (AU);
Elisa Anne Jeffery, Sydney (AU);
Chiew Khuen Wong, Sydney (AU);
Gerard Michael Rummery, Woodford (AU);
Lachlan Richard Goldspink, Sydney (AU);
Luke Emmanuel Klinkenberg, Sydney (AU);
Lochlan Von Moger, Sydney (AU)

(73) Assignee: **ResMed Pty Ltd**, Bella Vista (AU)

(**) Term: **15 Years**

(21) Appl. No.: **29/811,621**

(22) Filed: **Oct. 15, 2021**

Related U.S. Application Data

(63) Continuation of application No. 29/703,006, filed on Aug. 23, 2019, now Pat. No. Des. 933,814.

(51) **LOC (13) Cl.** **24-02**

(52) **U.S. Cl.**
USPC **D24/110.1**

(58) **Field of Classification Search**

USPC D24/110-110.6, 127, 129; D29/110
CPC A61M 16/0616; A61M 16/0633; A61M 16/06; A61M 16/0666; A61M 16/0683; A61M 16/0605; A61M 16/0622; A61M 16/0644; A61M 16/0875; A61M 16/0816;

(Continued)

(56) **References Cited**

U.S. PATENT DOCUMENTS

8,522,784 B2 * 9/2013 Ng A61M 16/0611
128/206.28

8,534,285 B2 9/2013 Lee
8,573,201 B2 11/2013 Rummery

(Continued)

OTHER PUBLICATIONS

Eves et al., U.S. Appl. No. 29/703,006, filed Aug. 23, 2019, for "Patient Interface," (parent application).

Primary Examiner — Sheryl Lane
Assistant Examiner — Aula Soroush

(74) *Attorney, Agent, or Firm* — Nixon & Vanderhye P.C.

(57) **CLAIM**

The ornamental design for a patient interface, as shown and described.

DESCRIPTION

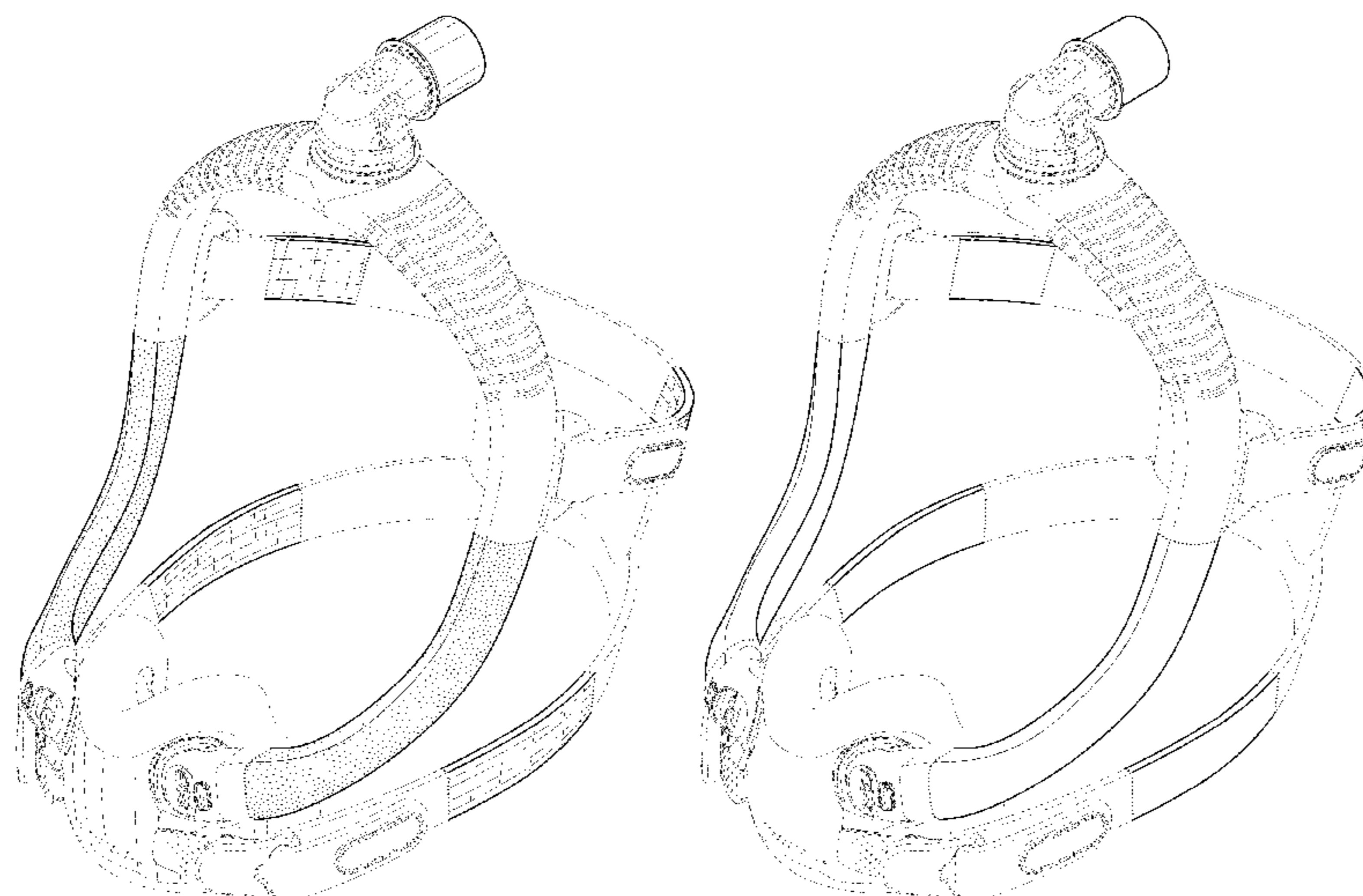
FIG. 1 is a front perspective view of a patient interface showing a first embodiment of our new design; FIG. 2 is a front view thereof; FIG. 3 is a rear view thereof; FIG. 4 is a top view thereof; FIG. 5 is a bottom view thereof; FIG. 6 is a left side view thereof; FIG. 7 is a right side view thereof; FIG. 8 is a rear perspective view thereof; FIG. 9 is a front perspective view of a patient interface showing a second embodiment of our new design; FIG. 10 is a front view thereof; FIG. 11 is a rear view thereof; FIG. 12 is a top view thereof; FIG. 13 is a bottom view thereof; FIG. 14 is a left side view thereof; FIG. 15 is a right side view thereof; and, FIG. 16 is a rear perspective view thereof.

The broken lines represent portions of the patient interface and do not form a part of the claimed design.

The combination of line shading criss-cross texturing, and stippling is intended to convey a contrast in appearance.

The dotted lines represent the boundaries of the claimed design and form no part of the claimed design.

1 Claim, 16 Drawing Sheets



(58) **Field of Classification Search**
 CPC A61M 16/08; B63C 11/205; B63C 11/16;
 B63C 11/186; B63C 11/12
 See application file for complete search history.

(56) **References Cited**

U.S. PATENT DOCUMENTS

D771,238	S	11/2016	Scheiner	
D787,662	S	5/2017	Guney	
9,784,387	B2	10/2017	Kaye	
9,802,015	B2	10/2017	Virr	
D808,516	S	1/2018	Edwards	
9,872,967	B2	1/2018	Sims	
9,903,371	B2	2/2018	Row	
10,105,510	B2	10/2018	Buechi	
D865,158	S	10/2019	Khera	
D878,546	S	3/2020	Formica	
D880,686	S	4/2020	Stoks	
D933,814	S	10/2021	Eves et al.	
D935,603	S *	11/2021	Eves	D24/110.4
11,179,536	B2 *	11/2021	Amarasinghe	A61M 16/0616
D938,015	S *	12/2021	Eves	D24/110.4
D938,016	S *	12/2021	Eves	D24/110.4
2004/0067333	A1 *	4/2004	Amarasinghe	A61M 16/0816 428/99

2004/0112377	A1 *	6/2004	Amarasinghe	A61M 16/0633 128/201.22
2005/0155604	A1	7/2005	Ging	
2007/0181130	A1	8/2007	Worley	
2008/0110466	A1 *	5/2008	Armitstead	A61M 16/0683 128/207.11
2008/0190432	A1 *	8/2008	Blochlinger	A62B 18/084 128/205.25
2009/0044808	A1 *	2/2009	Guney	A61M 16/06 128/206.24
2009/0178680	A1 *	7/2009	Chang	A62B 18/084 128/206.27
2010/0116272	A1	5/2010	Row	
2011/0197341	A1 *	8/2011	Formica	A61M 16/0683 2/209.3
2012/0227738	A1	9/2012	Virr	
2015/0374944	A1 *	12/2015	Edwards	A61M 16/024 128/205.25
2016/0045700	A1 *	2/2016	Amarasinghe	A61M 16/009 128/205.25
2016/0051784	A1	2/2016	Eury	
2016/0151596	A1	6/2016	Slight	
2016/0213878	A1	7/2016	Browning, Jr.	
2017/0100556	A1	4/2017	Munkelt	
2020/0246572	A1	8/2020	Scheiner	

* cited by examiner

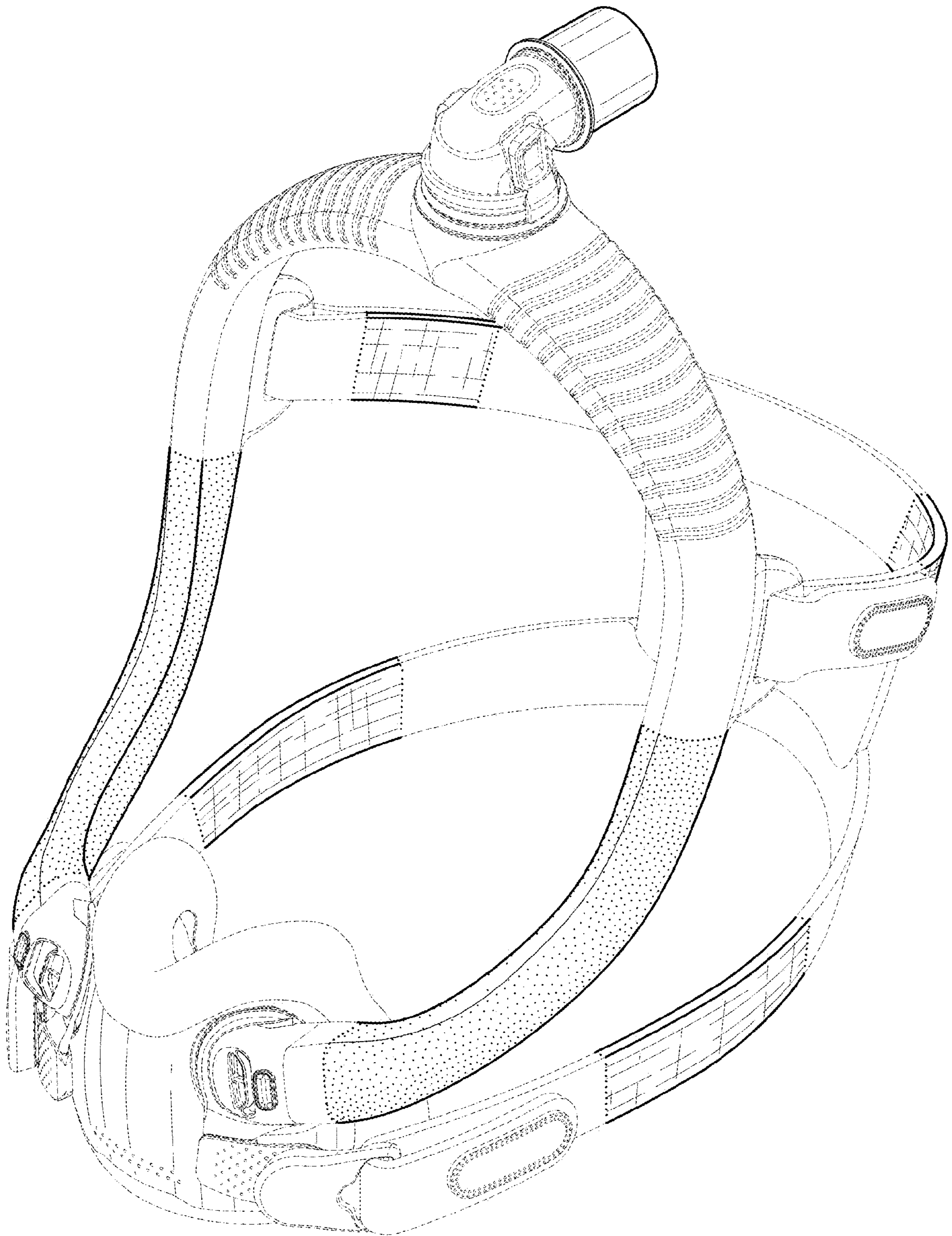


FIG. 1

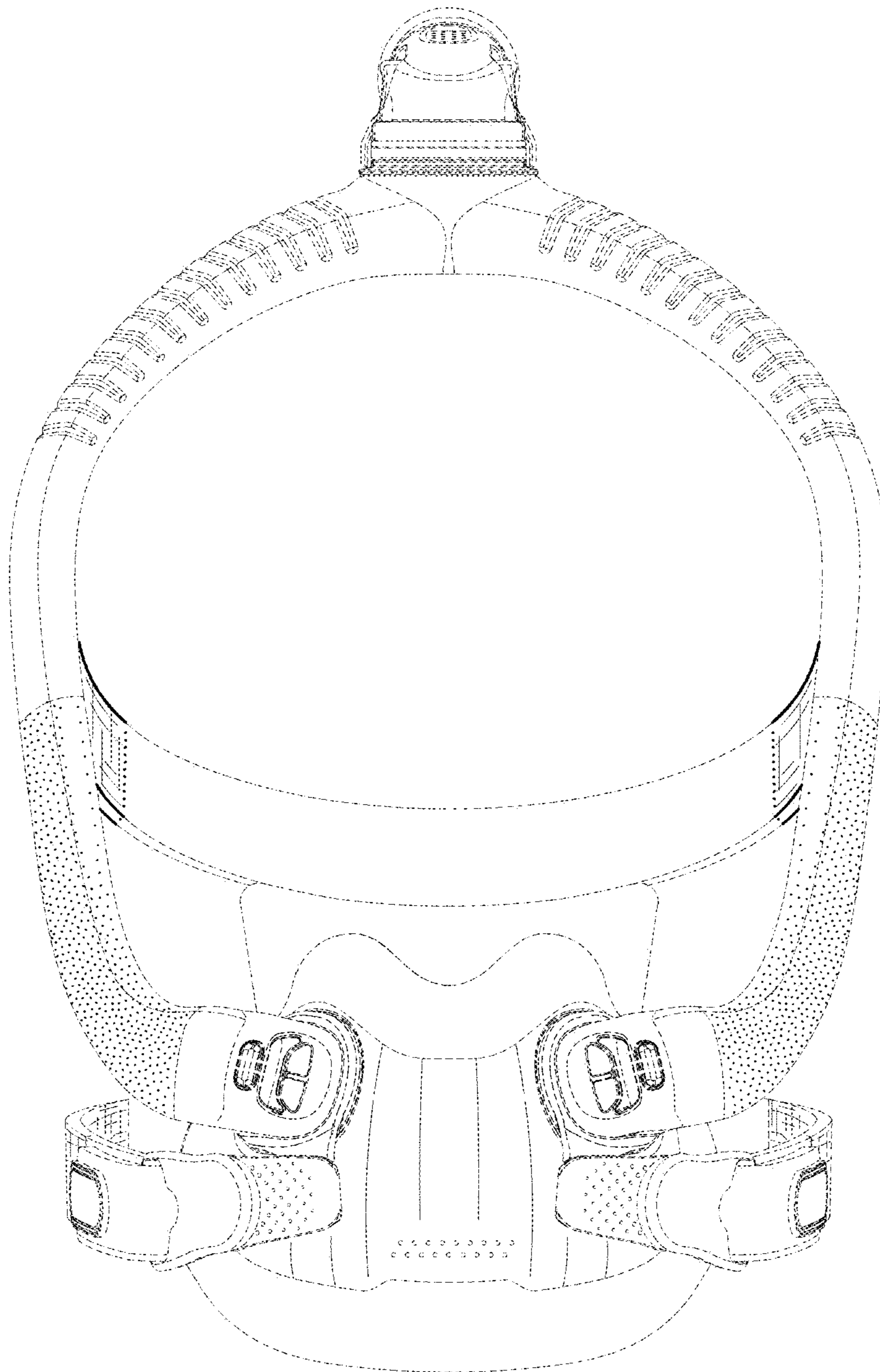


FIG. 2

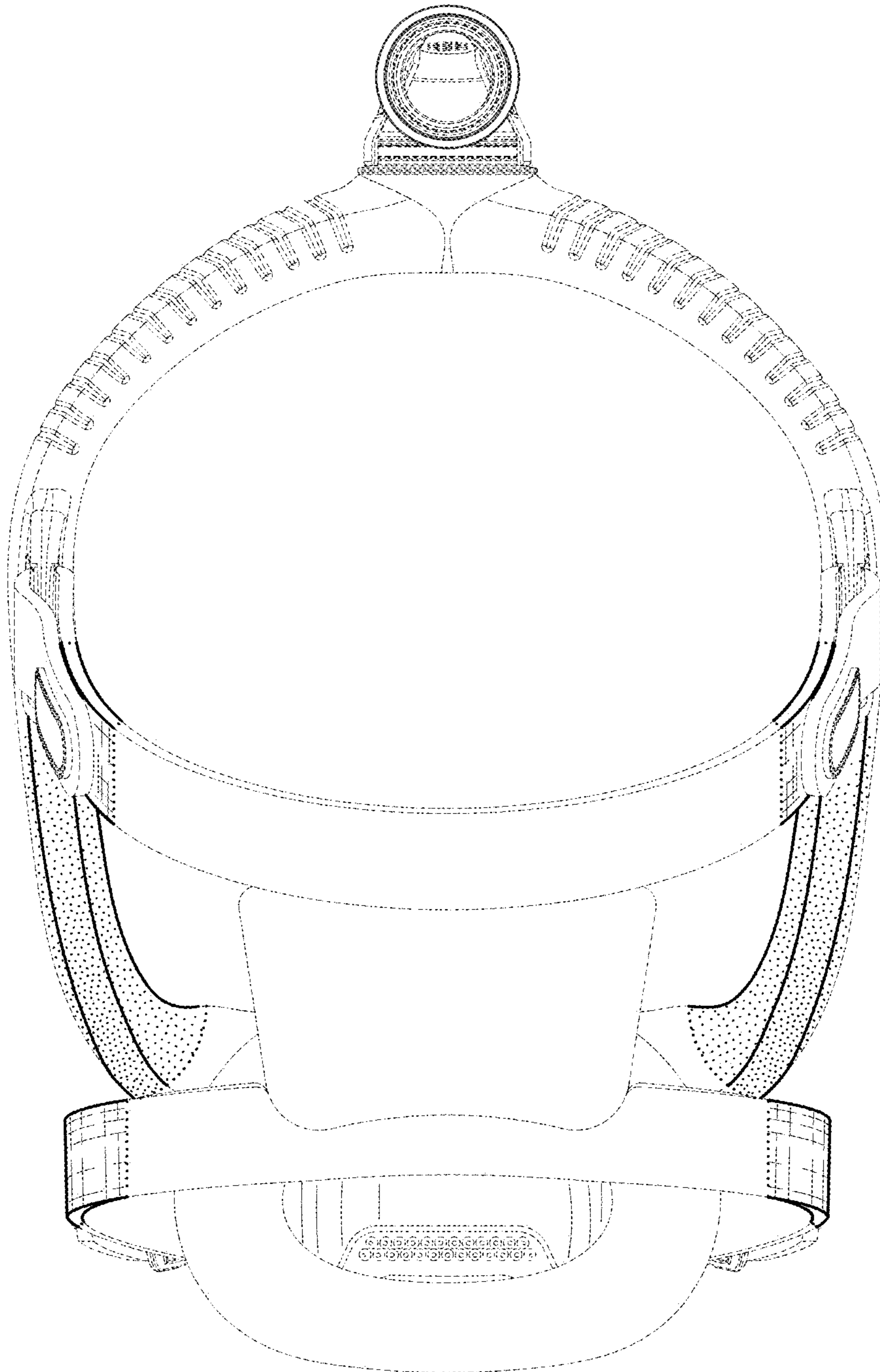


FIG. 3

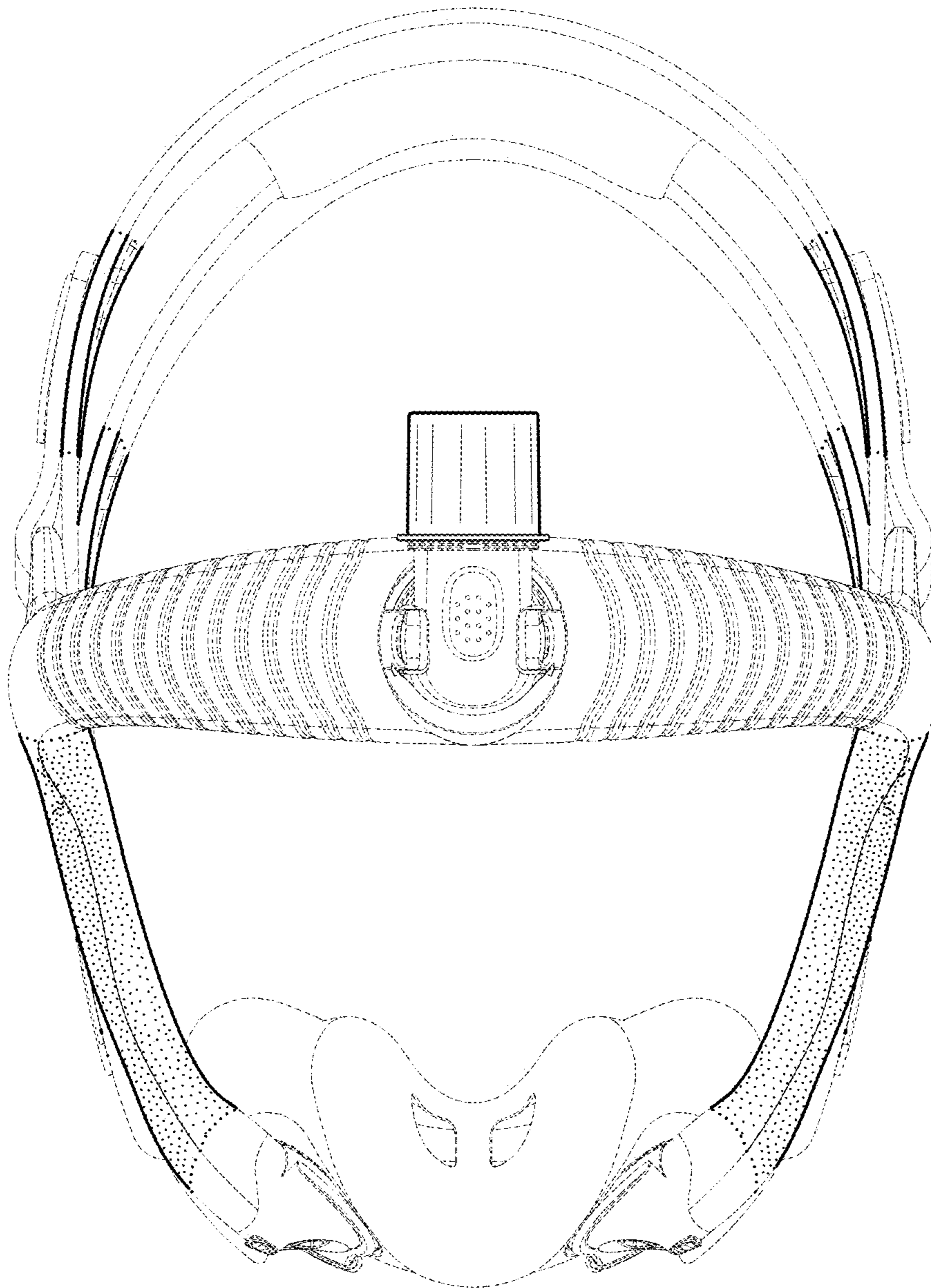


FIG. 4

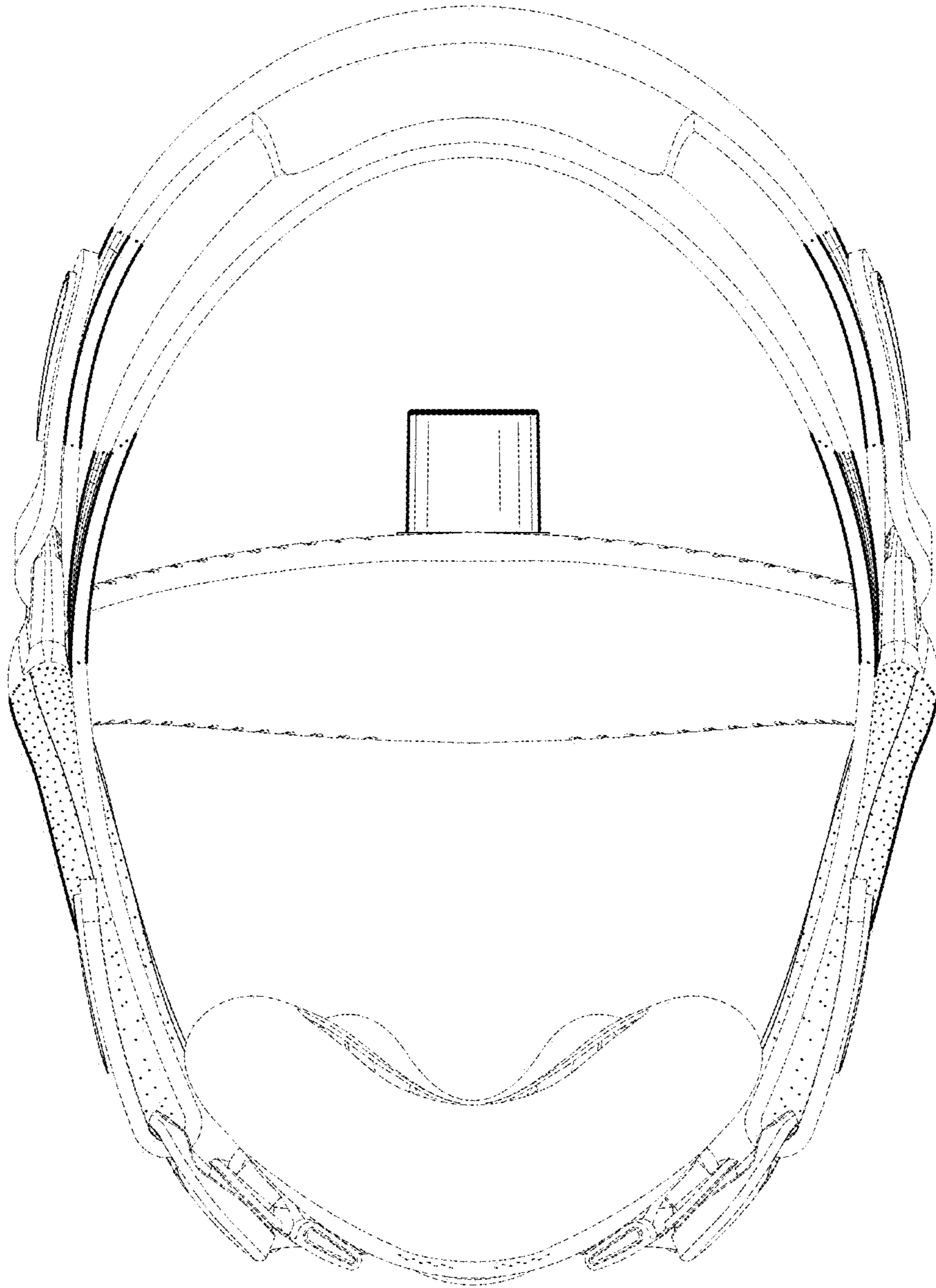


FIG. 5

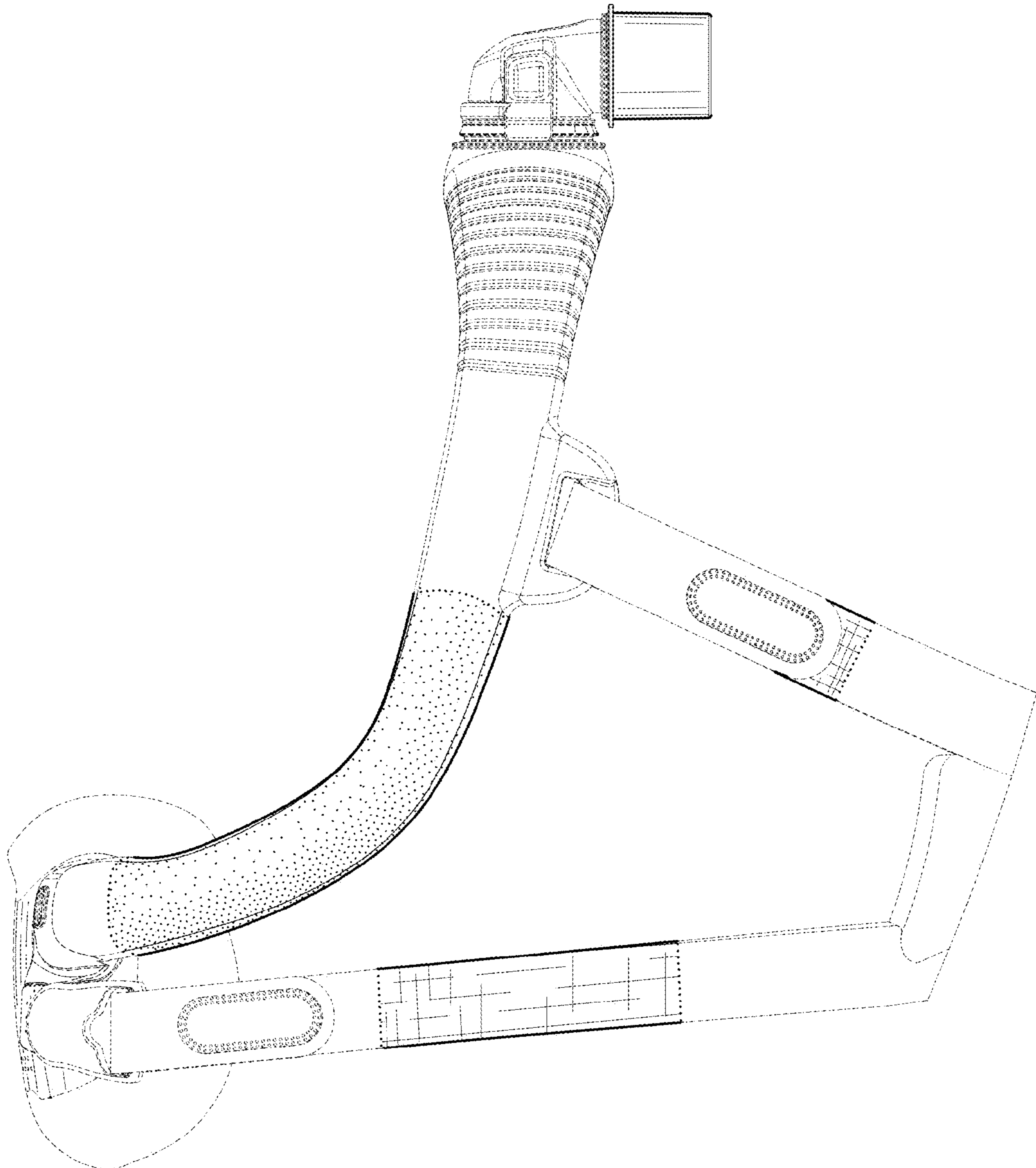


FIG. 6

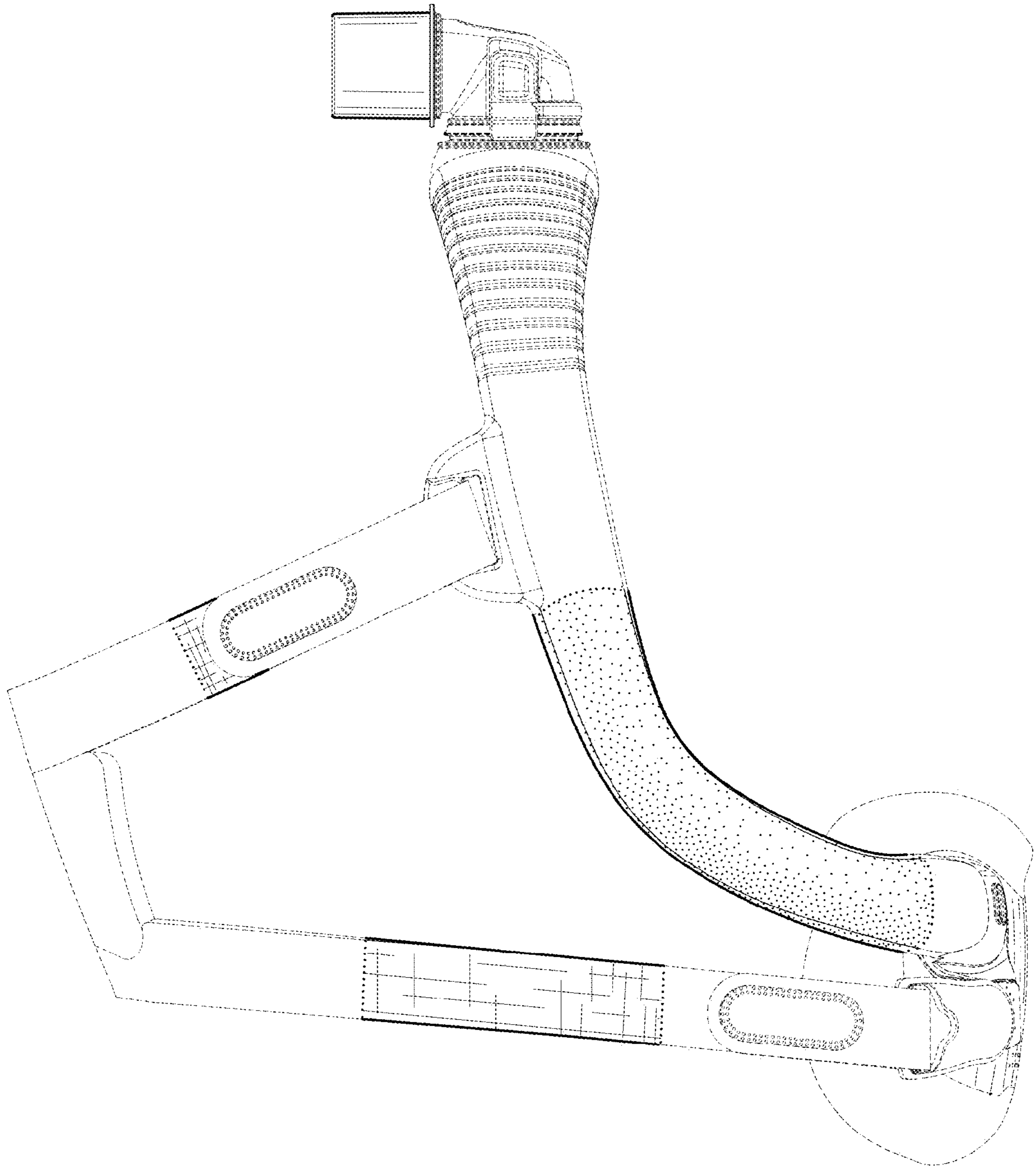


FIG. 7

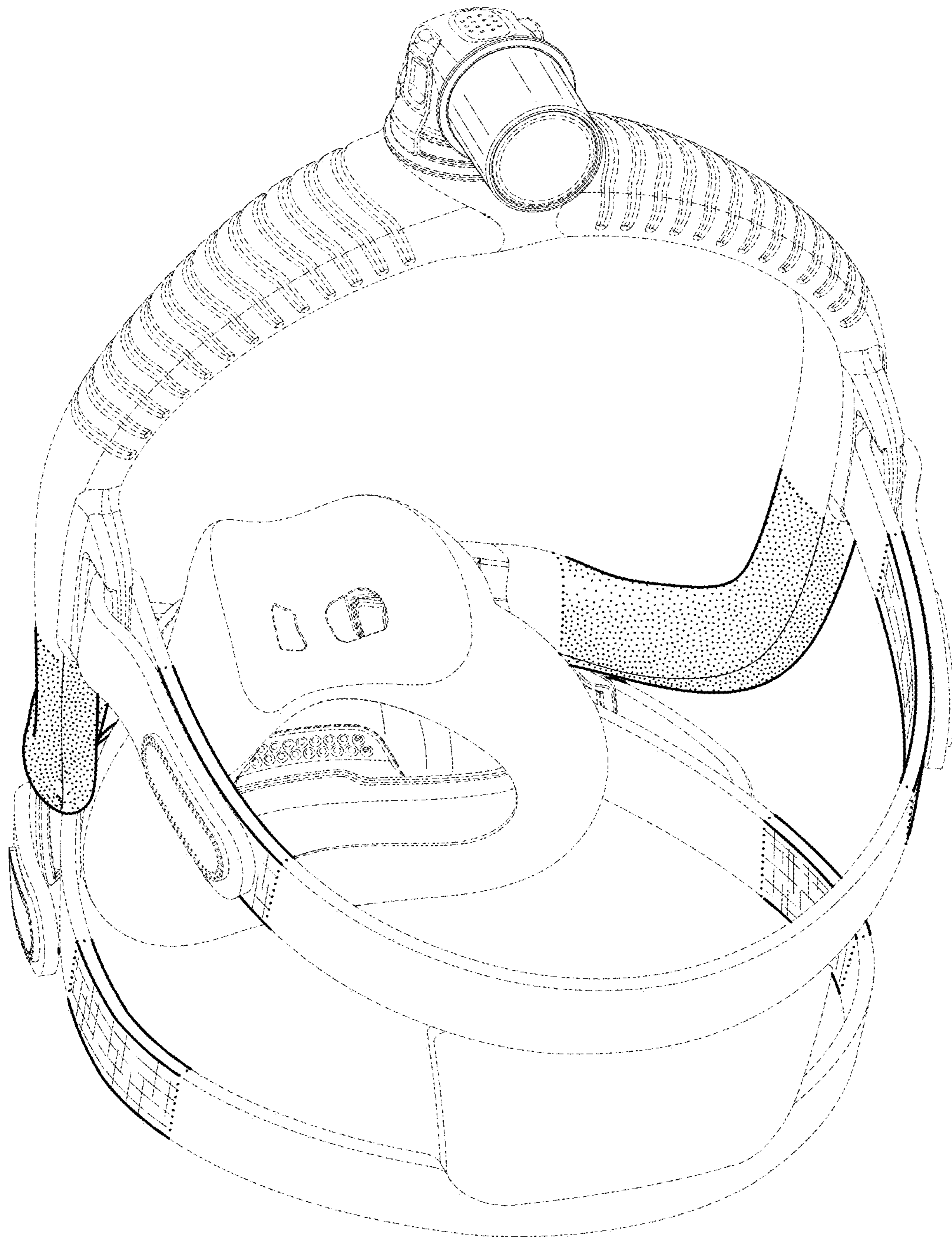


FIG. 8

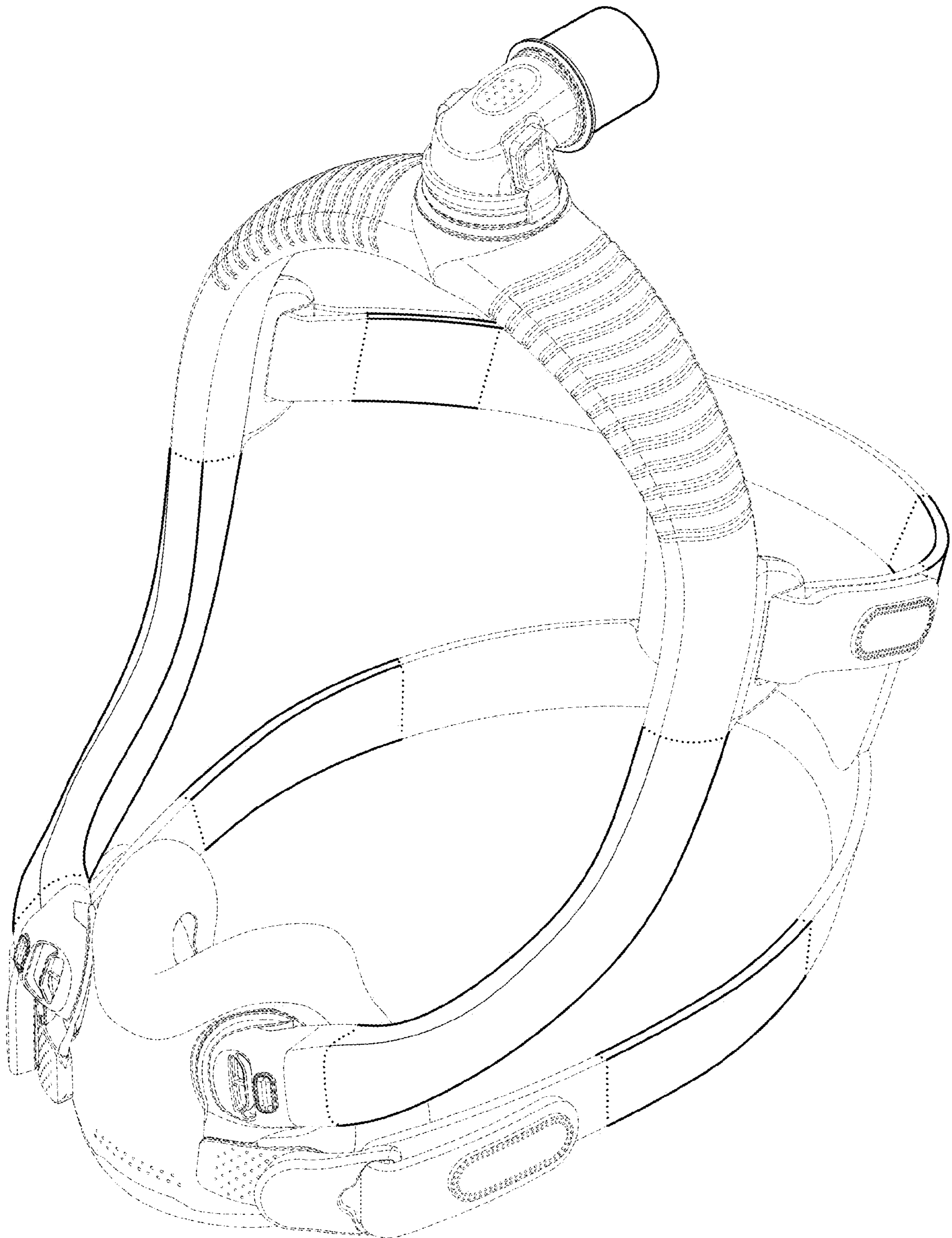


FIG. 9

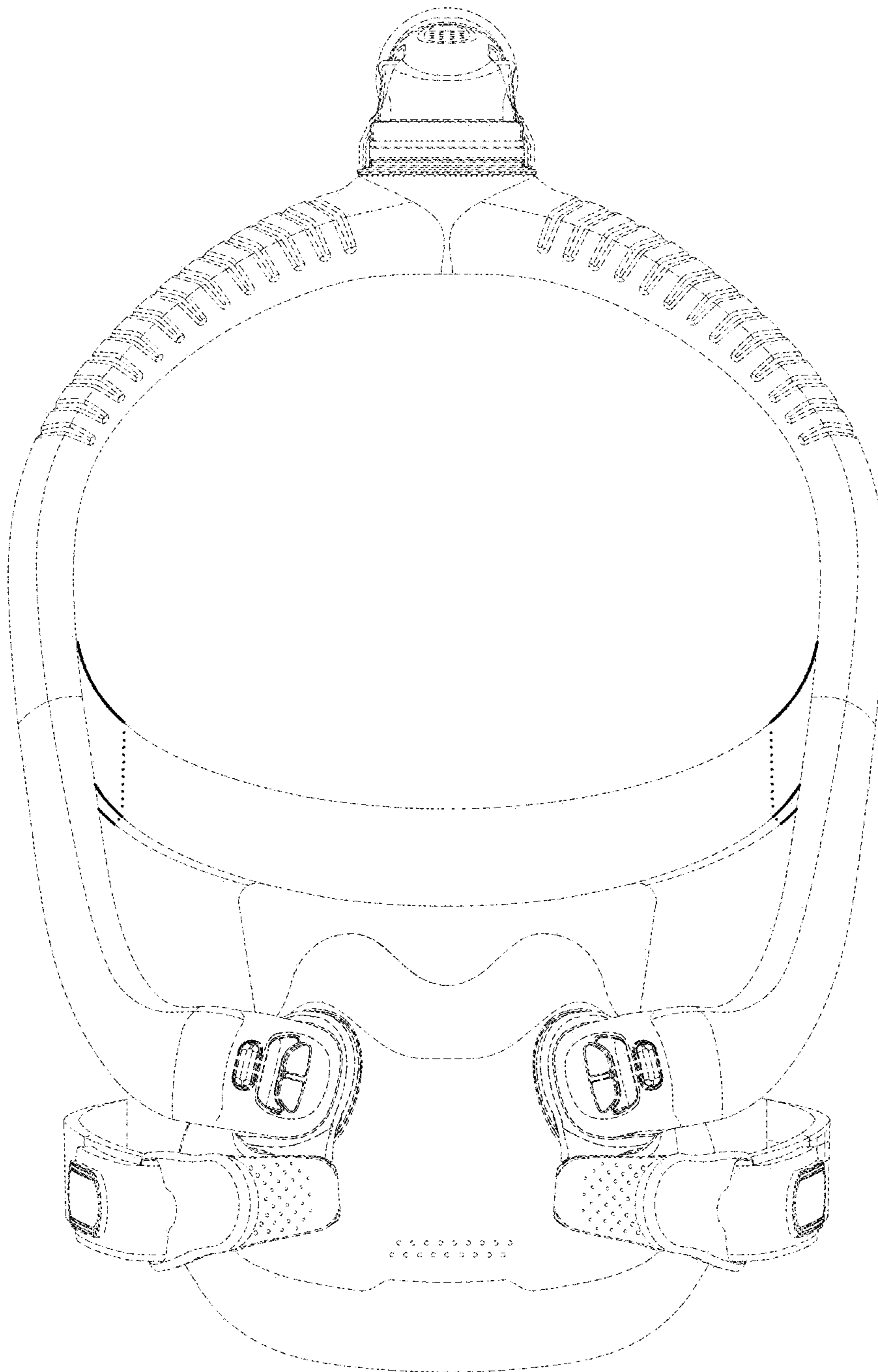


FIG. 10

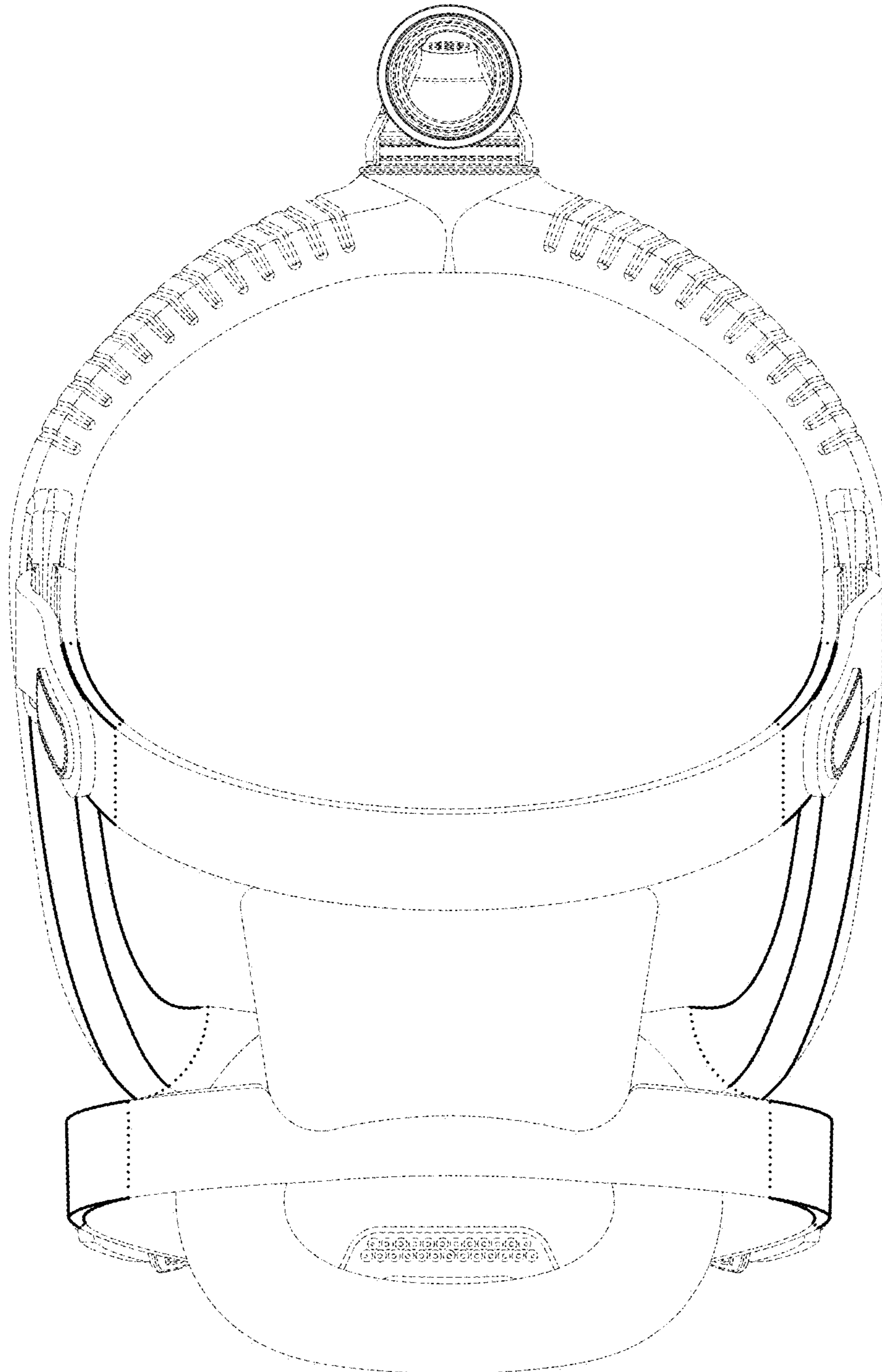


FIG. 11

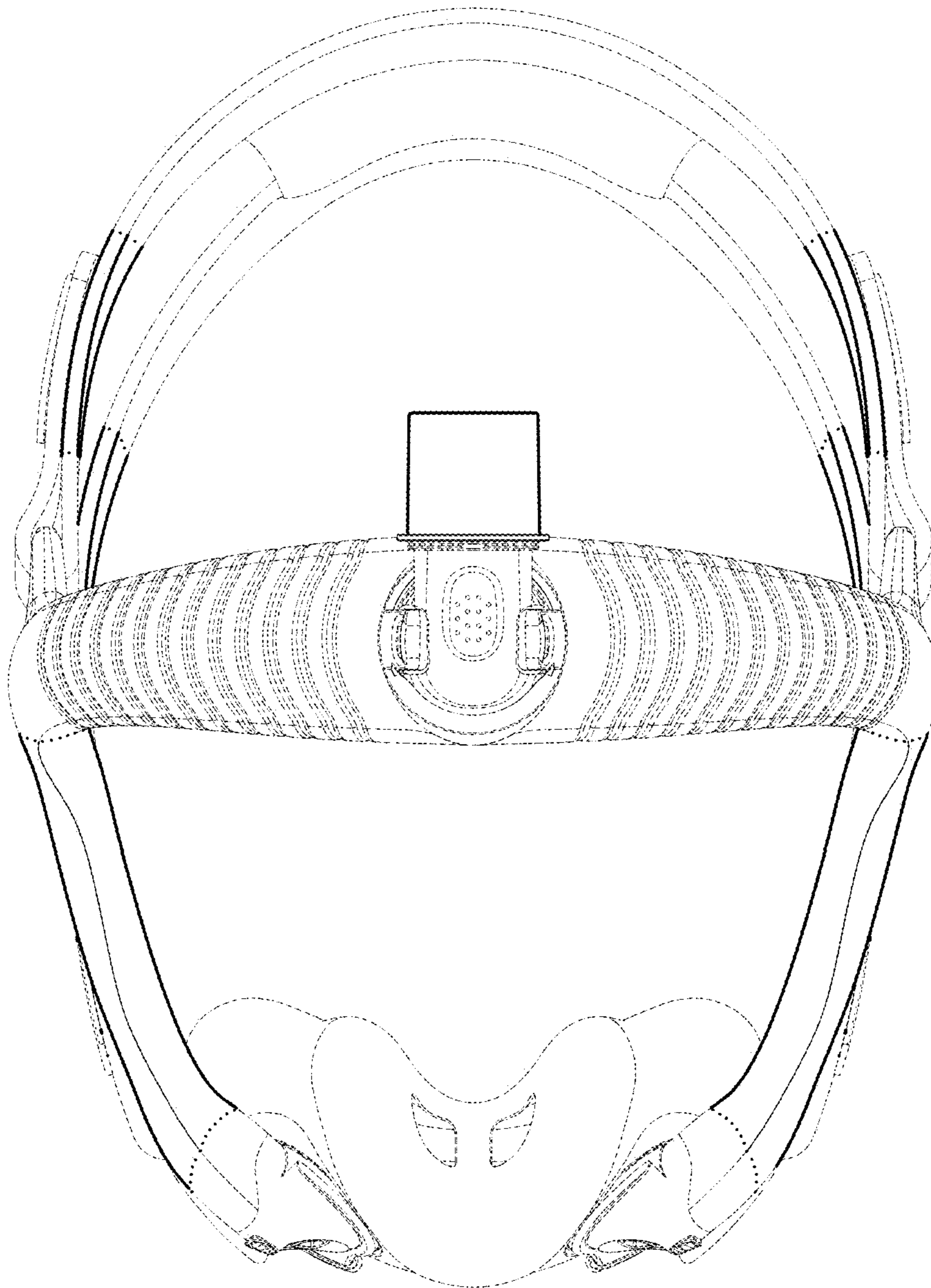


FIG. 12

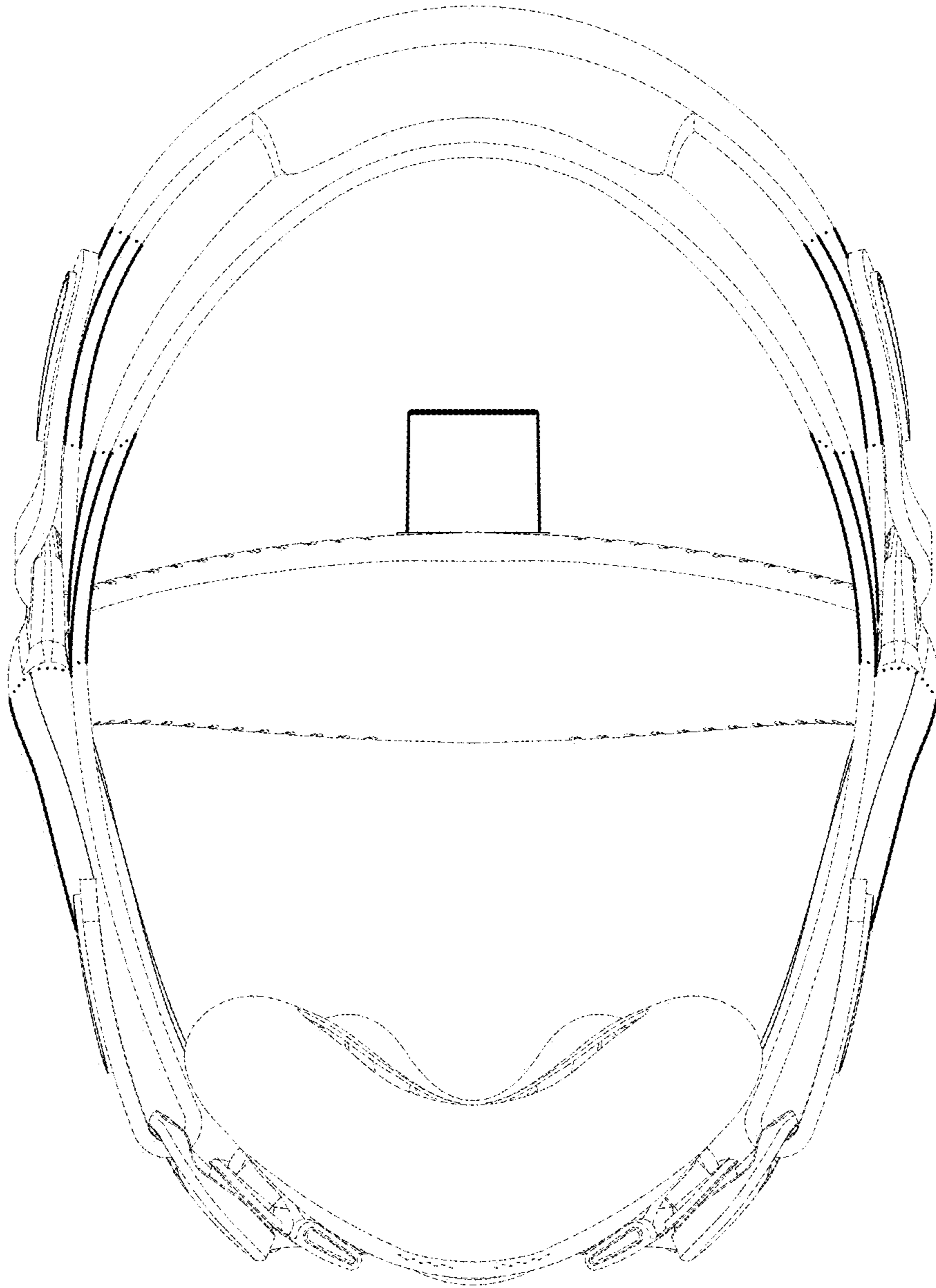


FIG. 13

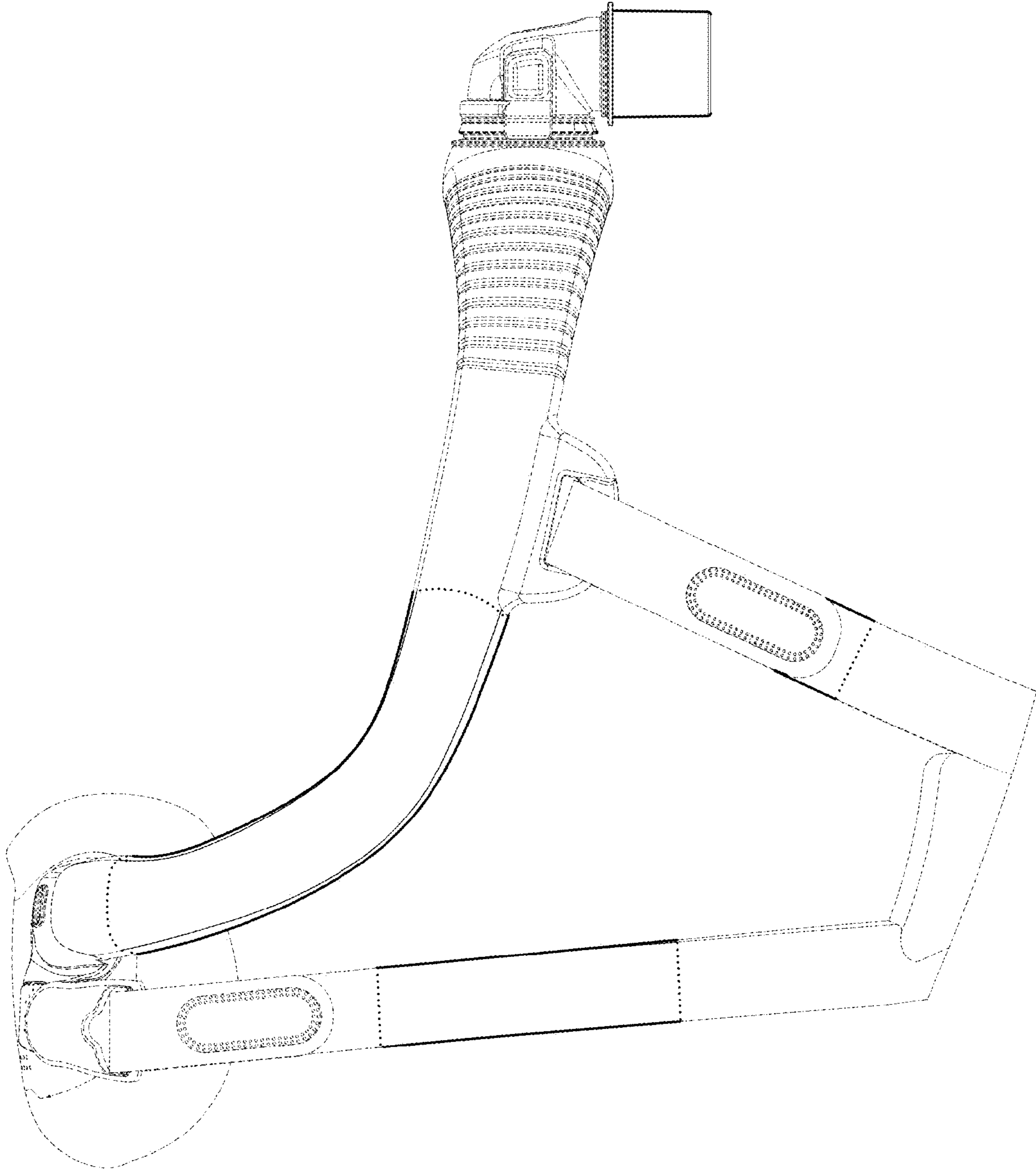


FIG. 14

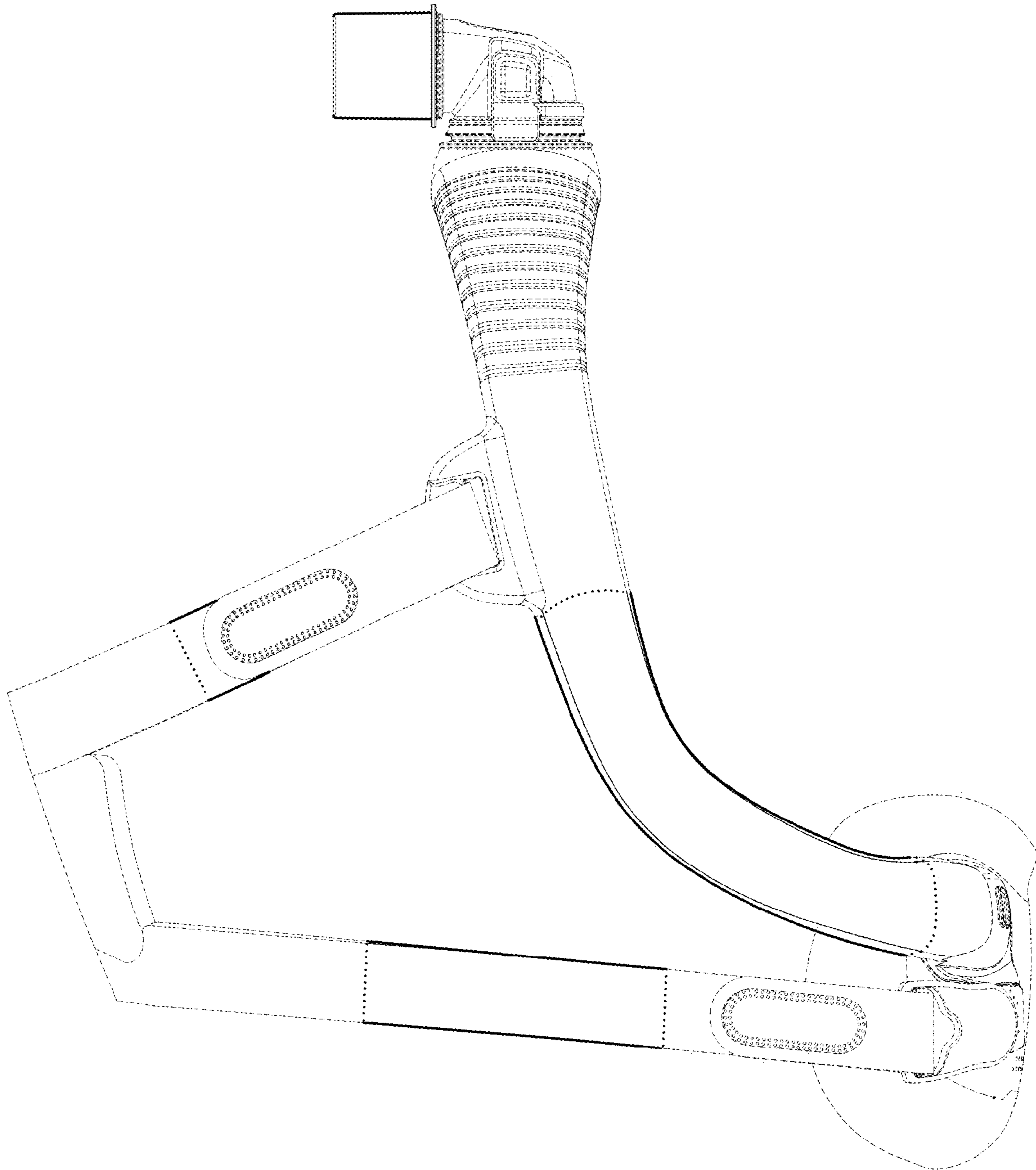


FIG. 15

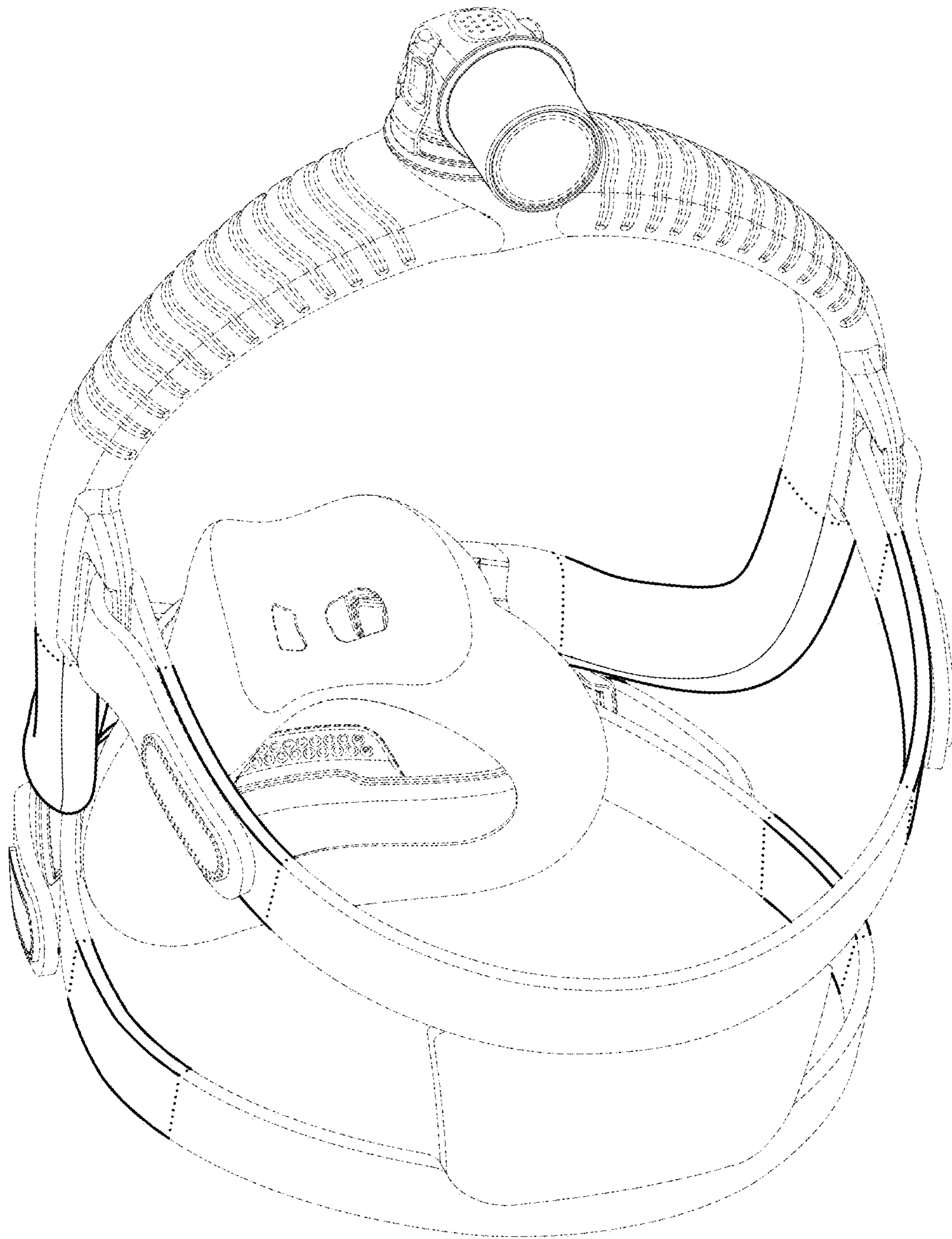


FIG. 16