



US00D959644S

(12) **United States Design Patent** (10) **Patent No.:** **US D959,644 S**  
**Kim et al.** (45) **Date of Patent:** **\*\* Aug. 2, 2022**

(54) **REMOVABLE COVER FOR AIR MASK**

FOREIGN PATENT DOCUMENTS

(71) Applicant: **LG ELECTRONICS INC.**, Seoul (KR)

CN 306651577 \* 6/2011  
CN 302912292 \* 8/2014

(Continued)

(72) Inventors: **Byeongwook Kim**, Seoul (KR);  
**Dongsoon Kim**, Seoul (KR)

OTHER PUBLICATIONS

(73) Assignee: **LG ELECTRONICS INC.**, Seoul (KR)

LG Puricare (available [online]) Retrieved from the internet Mar. 25, 2022 from URL: [https://www.lg.com/hk\\_en/puricare/lg-ap300awfa](https://www.lg.com/hk_en/puricare/lg-ap300awfa) (Year: 2022).\*

(\*\*) Term: **15 Years**

*Primary Examiner* — Richard Kearney

(21) Appl. No.: **29/751,961**

*Assistant Examiner* — Michael Hoffman

(22) Filed: **Sep. 24, 2020**

(74) *Attorney, Agent, or Firm* — Birch, Stewart, Kolasch & Birch, LLP

(30) **Foreign Application Priority Data**

(57) **CLAIM**

Mar. 26, 2020 (KR) ..... 30-2020-0013611

The ornamental design for a removable cover for air mask, as shown and described.

(51) **LOC (13) Cl.** ..... **29-02**

(52) **U.S. Cl.**  
USPC ..... **D24/110.1; D29/108**

**DESCRIPTION**

(58) **Field of Classification Search**  
USPC ..... D24/110.1; D29/108  
CPC . A41D 13/11; A41D 13/1107; A41D 13/1115;  
A41D 13/1123; A41D 13/113; A41D  
13/1138; A41D 13/1146; A41D 13/1153;  
A41D 13/1161; A41D 13/1169; A41D  
13/1176; A61M 16/06; A62B 18/00;  
A62B 18/02; A62B 18/025; A62B 23/00;  
A62B 23/02

FIG. 1 is a front, right side, perspective view of a removable cover for air mask showing our new design;  
FIG. 2 is a front view thereof;  
FIG. 3 is a rear view thereof;  
FIG. 4 is a left side view thereof;  
FIG. 5 is a right side view thereof;  
FIG. 6 is a top view thereof;  
FIG. 7 is a bottom view thereof;  
FIG. 8 is an exploded view thereof; and,  
FIG. 9 is another exploded view showing the removable cover for air mask in a state of being installed on the front of a mask.  
FIG. 8 is an exploded perspective view showing a state in which the filters on both sides are separated from the subject design. FIG. 9 is a reference view which shows the state of being installed on the front of the mask. The broken lines indicate portions of the article that form no part of the claimed design.

See application file for complete search history.

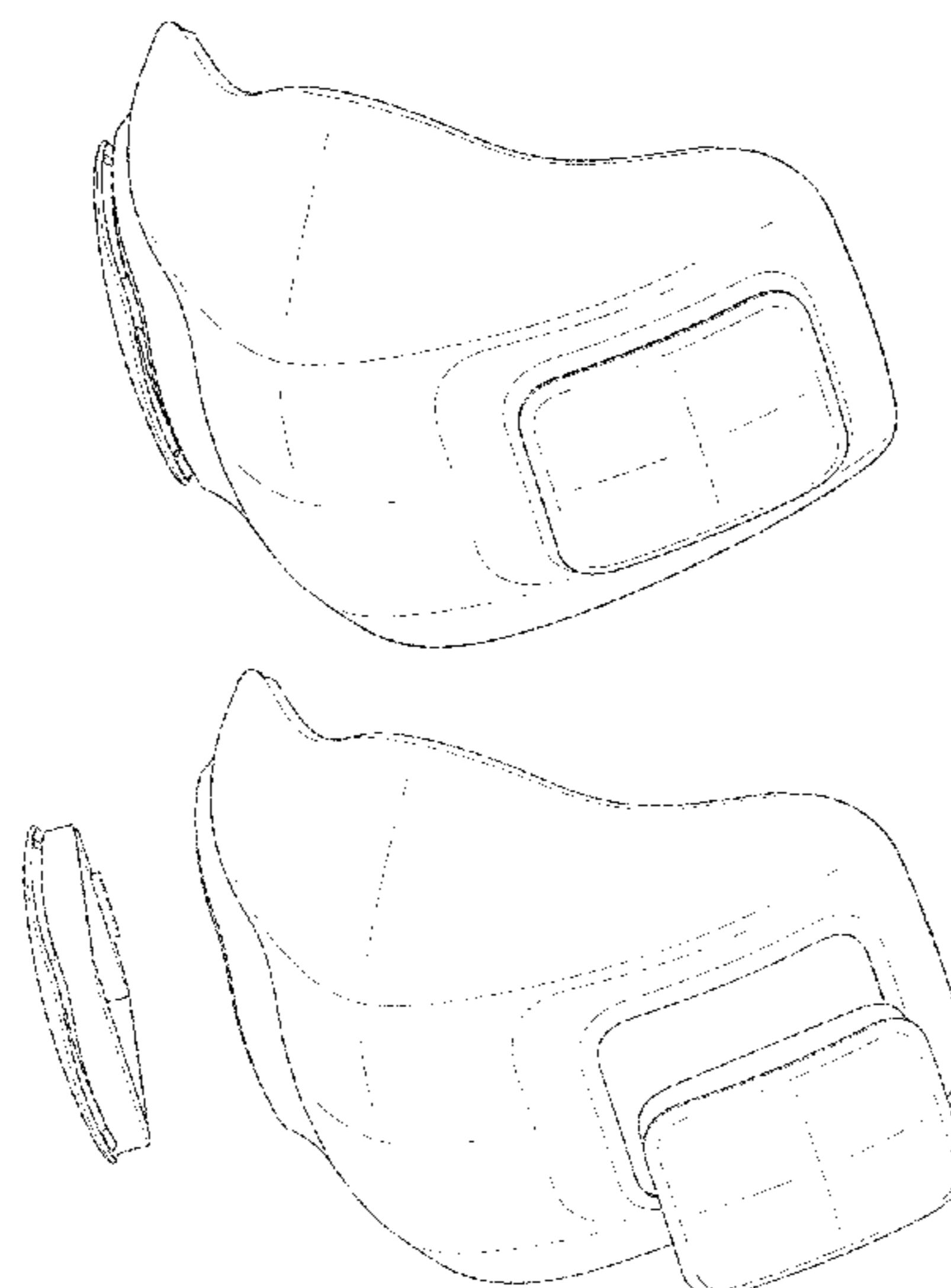
(56) **References Cited**

U.S. PATENT DOCUMENTS

2,664,887 A \* 1/1954 Daniela ..... A62B 18/025  
285/200  
D271,246 S \* 11/1983 Matheson ..... D24/110.4  
D286,213 S \* 10/1986 Maryyanek ..... D24/110.1  
D396,283 S \* 7/1998 Scholey ..... D24/110.5

(Continued)

**1 Claim, 5 Drawing Sheets**



(56)

**References Cited**

U.S. PATENT DOCUMENTS

D467,656 S \* 12/2002 Mittelstadt ..... D24/110.1  
D471,627 S \* 3/2003 Mittelstadt ..... D24/110.1  
D518,571 S \* 4/2006 Martin ..... D24/110.1  
D613,851 S \* 4/2010 Pilgrim ..... D24/110.1  
D645,956 S \* 9/2011 Grimsley ..... D24/110.4  
D677,780 S \* 3/2013 Choi ..... D24/110.1  
D721,169 S \* 1/2015 Moon ..... A62B 18/02  
D24/110.1  
D764,656 S \* 8/2016 Skov ..... D24/110.1  
D776,258 S \* 1/2017 Mittelstadt ..... D24/110.1  
D849,239 S \* 5/2019 Gerson ..... D24/110.1  
D885,676 S \* 5/2020 Yuan ..... D29/108  
D908,205 S \* 1/2021 Hwang ..... D24/110.1  
D925,725 S \* 7/2021 Kim ..... D24/110.1  
2021/0378326 A1 \* 12/2021 Choi ..... A62B 18/084

FOREIGN PATENT DOCUMENTS

CN 303808927 \* 8/2019  
CN 306035495 \* 9/2020  
CN 306910511 \* 10/2021

\* cited by examiner

FIG. 1

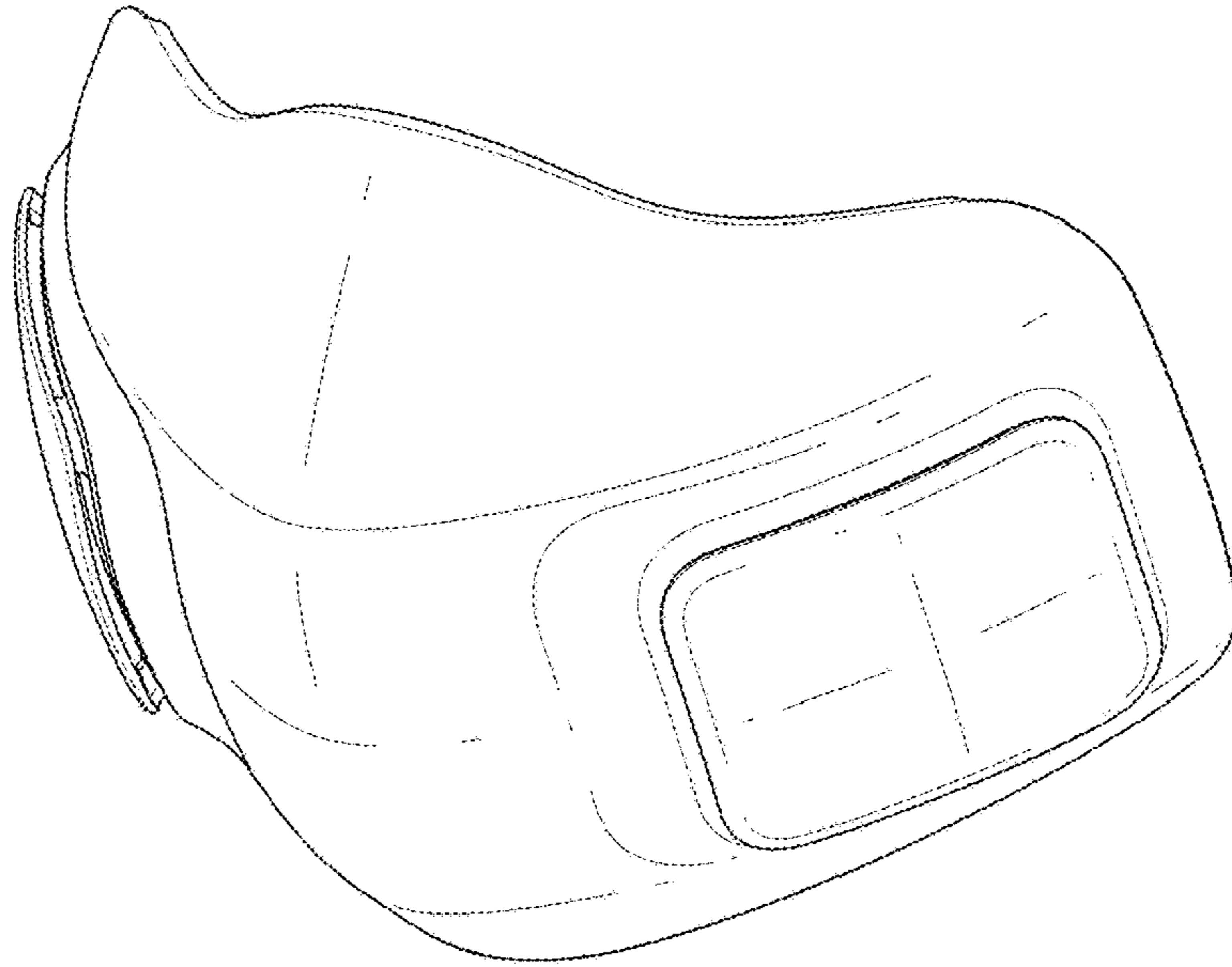


FIG. 2

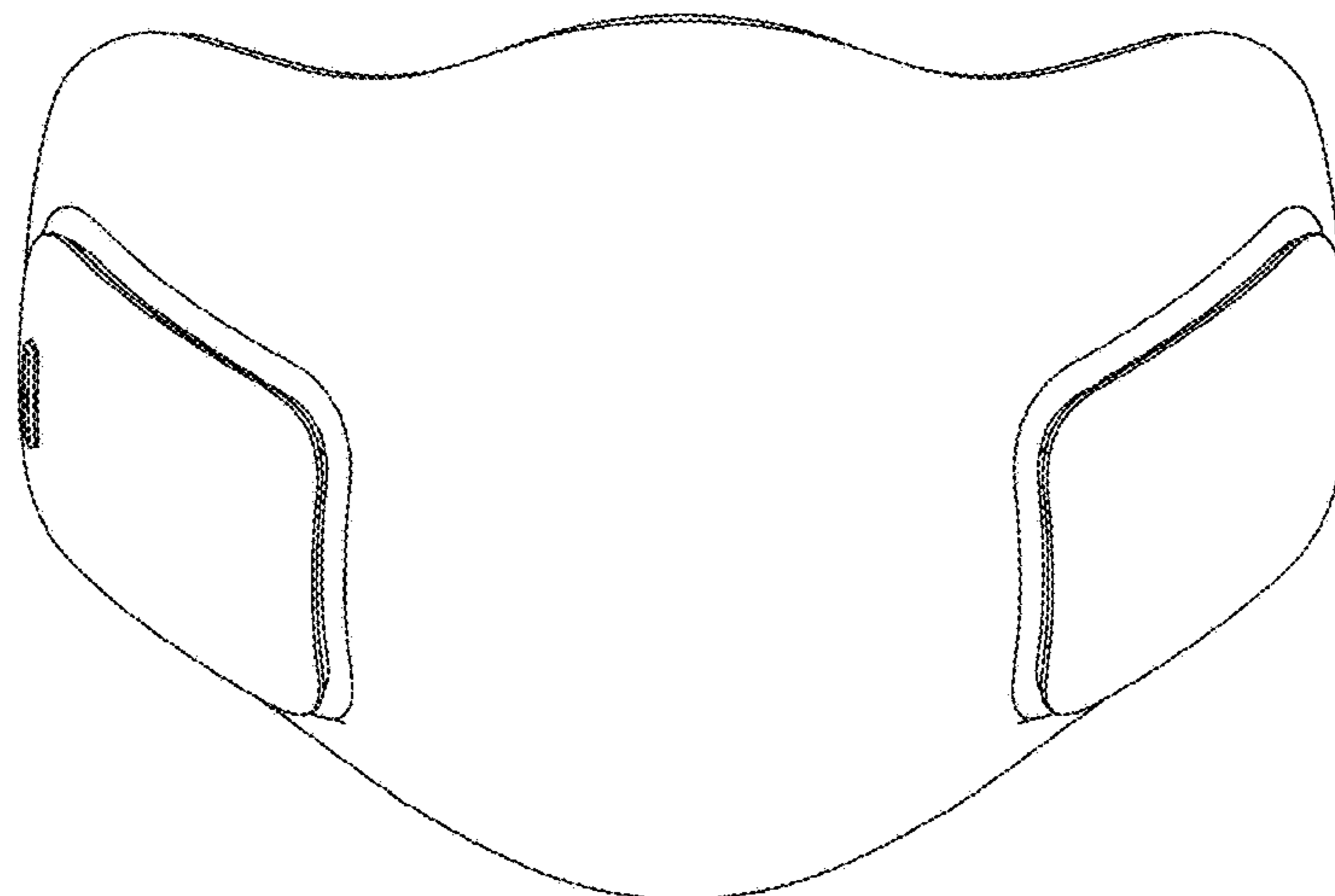


FIG. 3

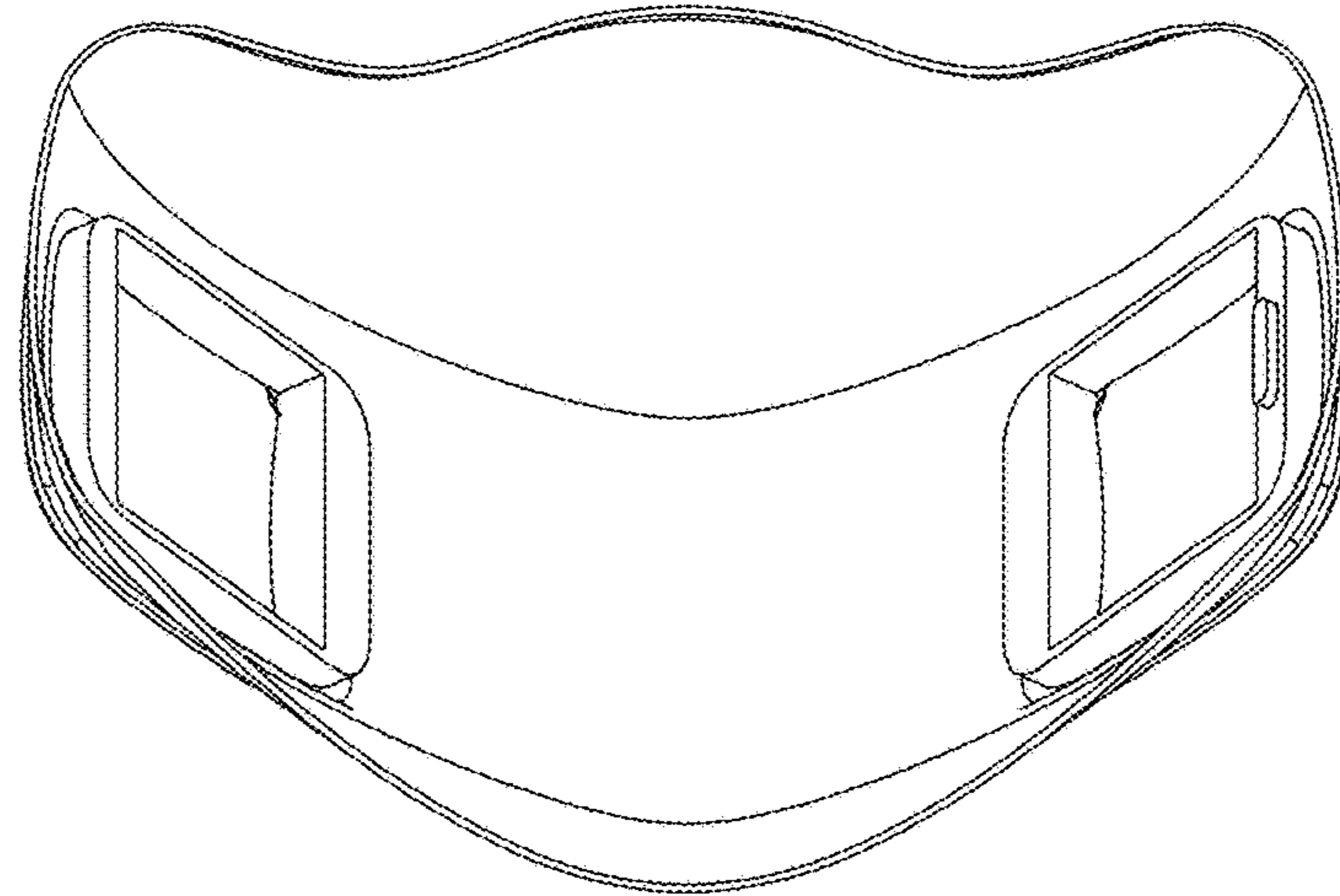


FIG. 4

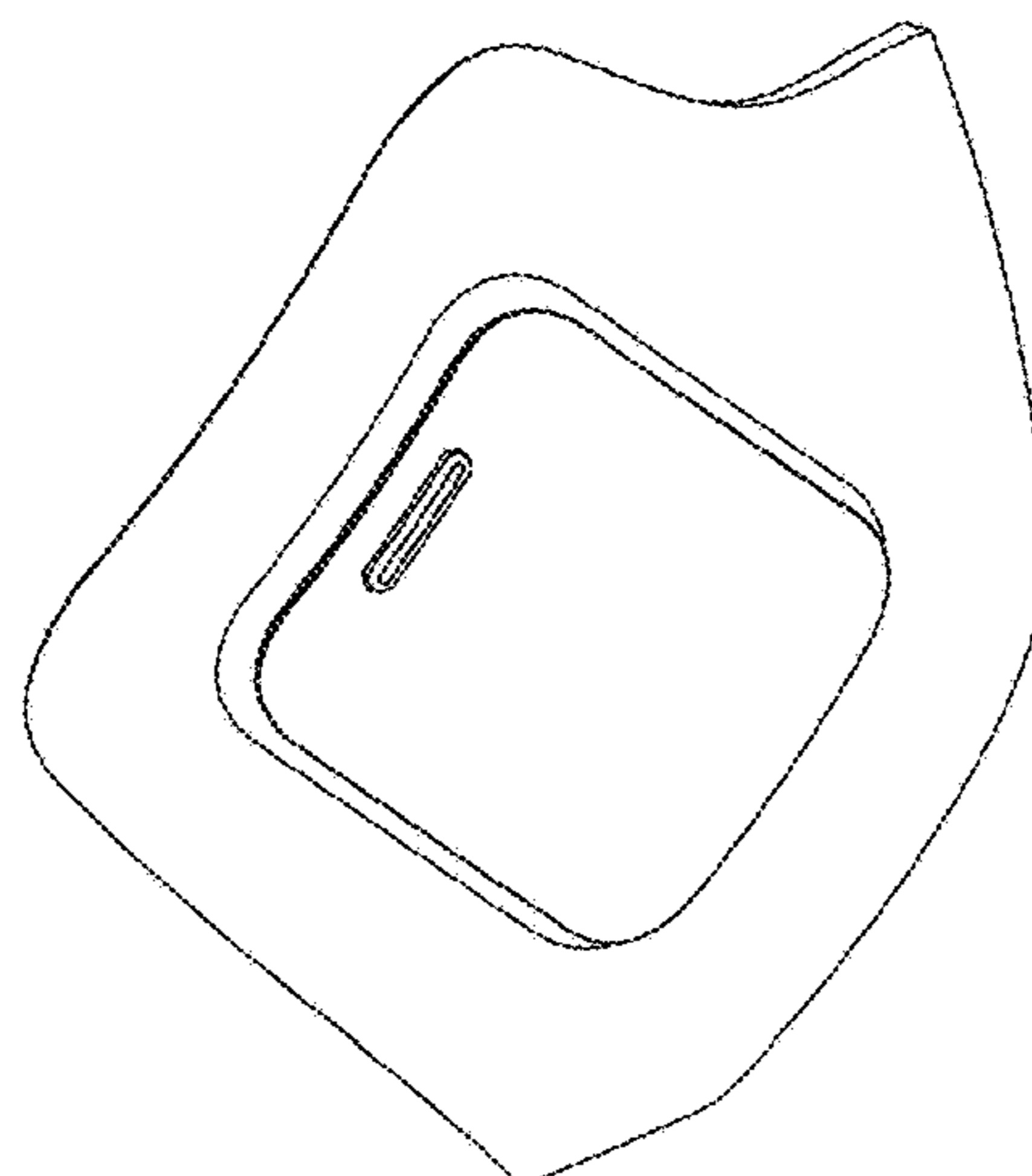


FIG. 5

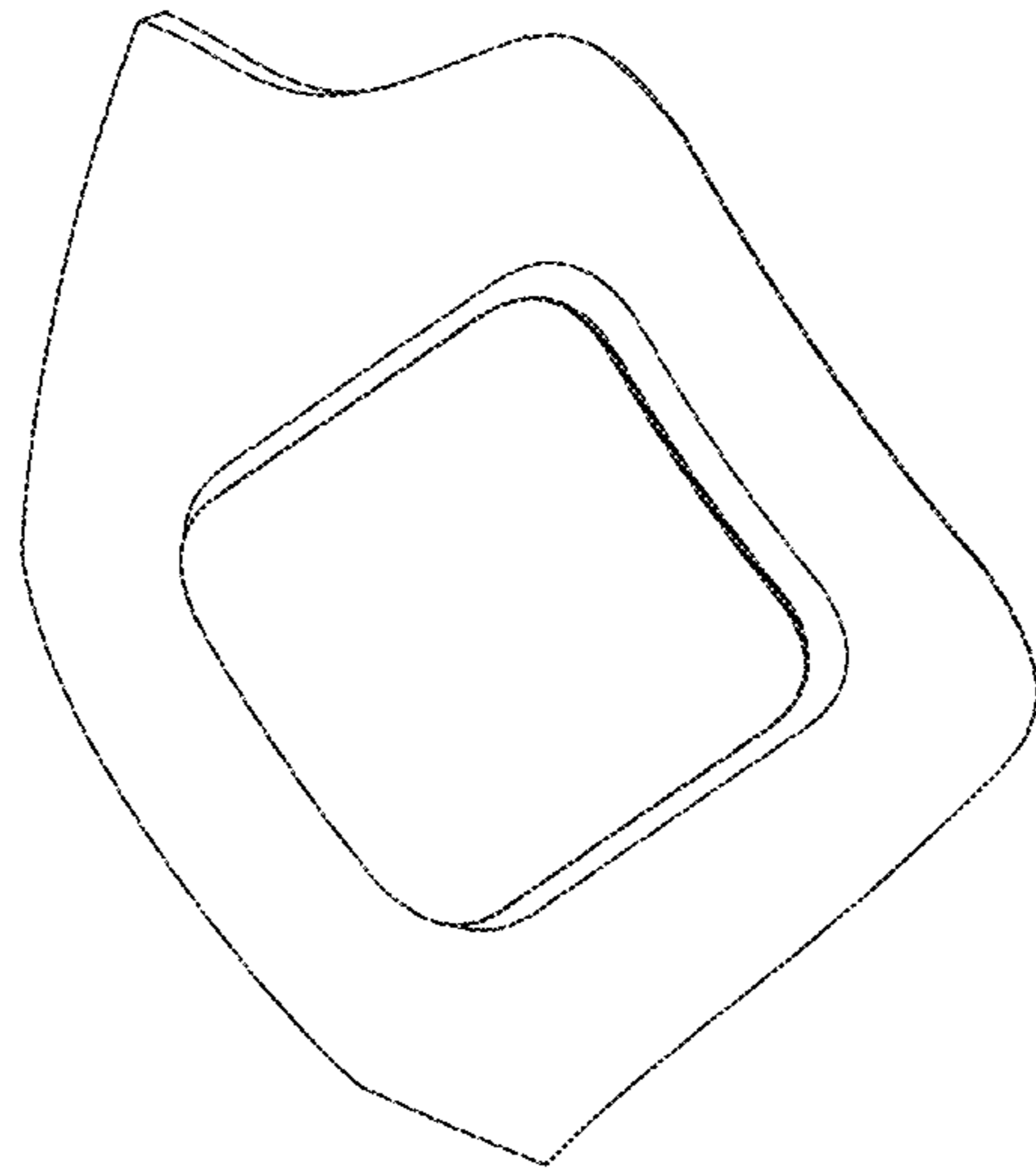


FIG. 6

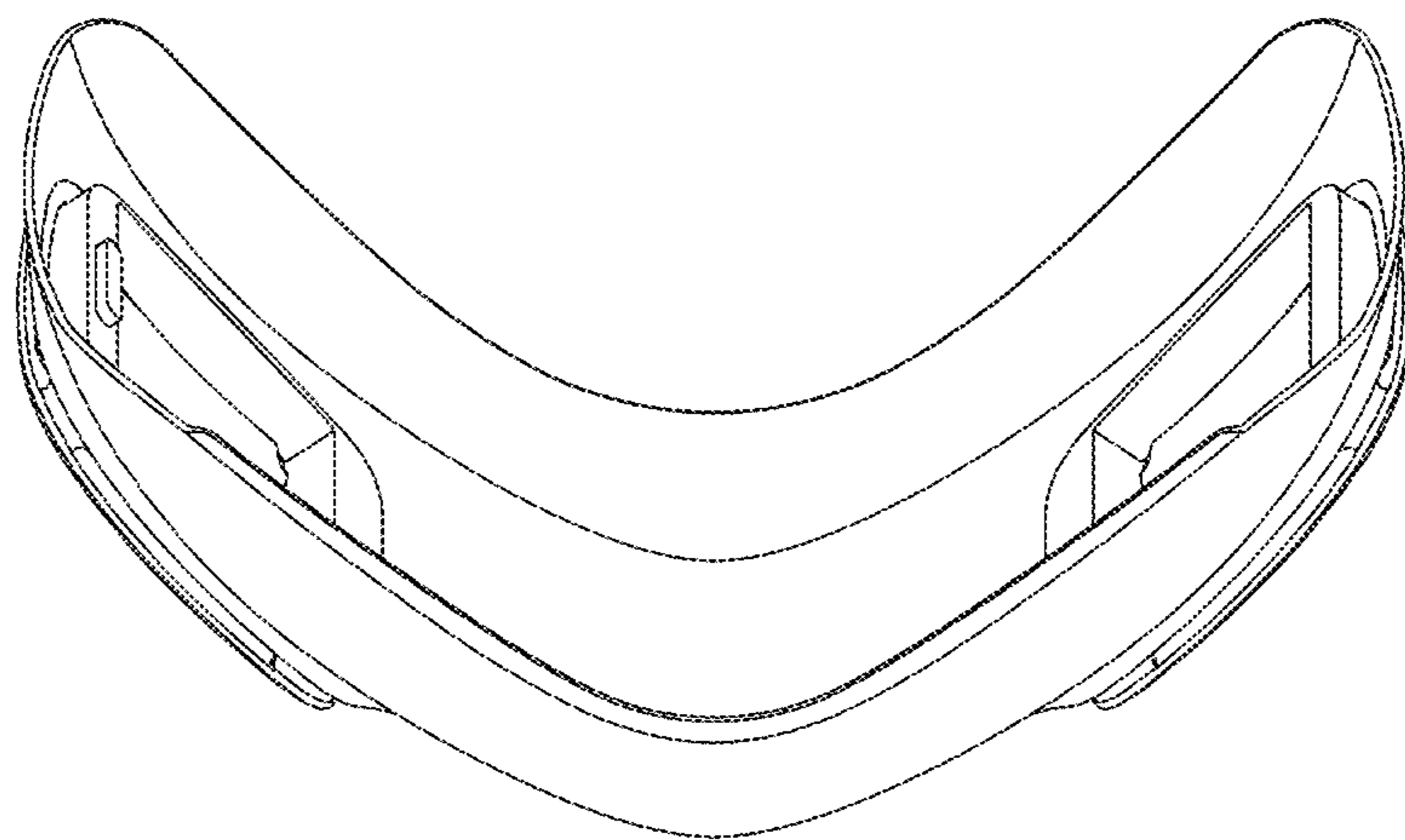


FIG. 7

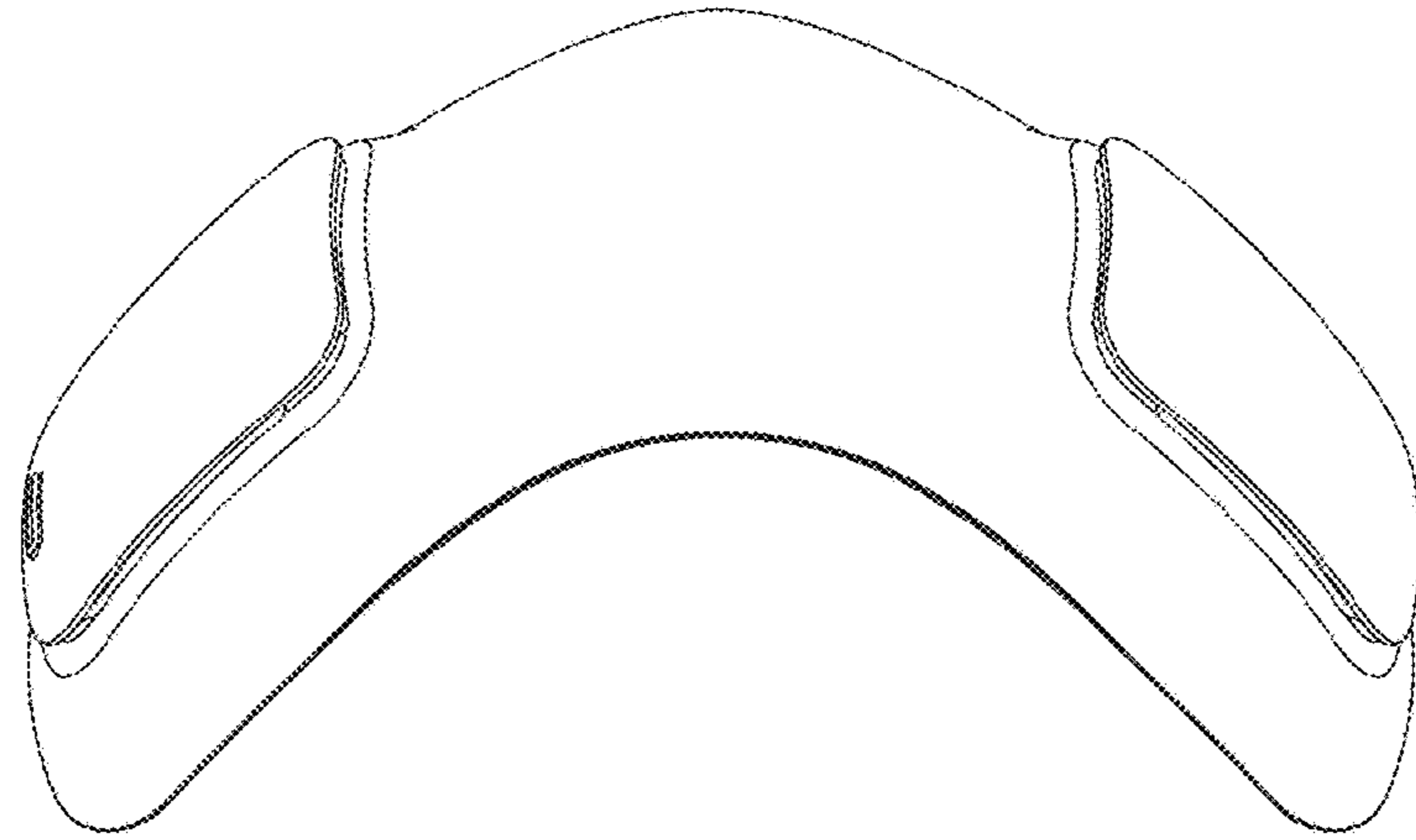


FIG. 8

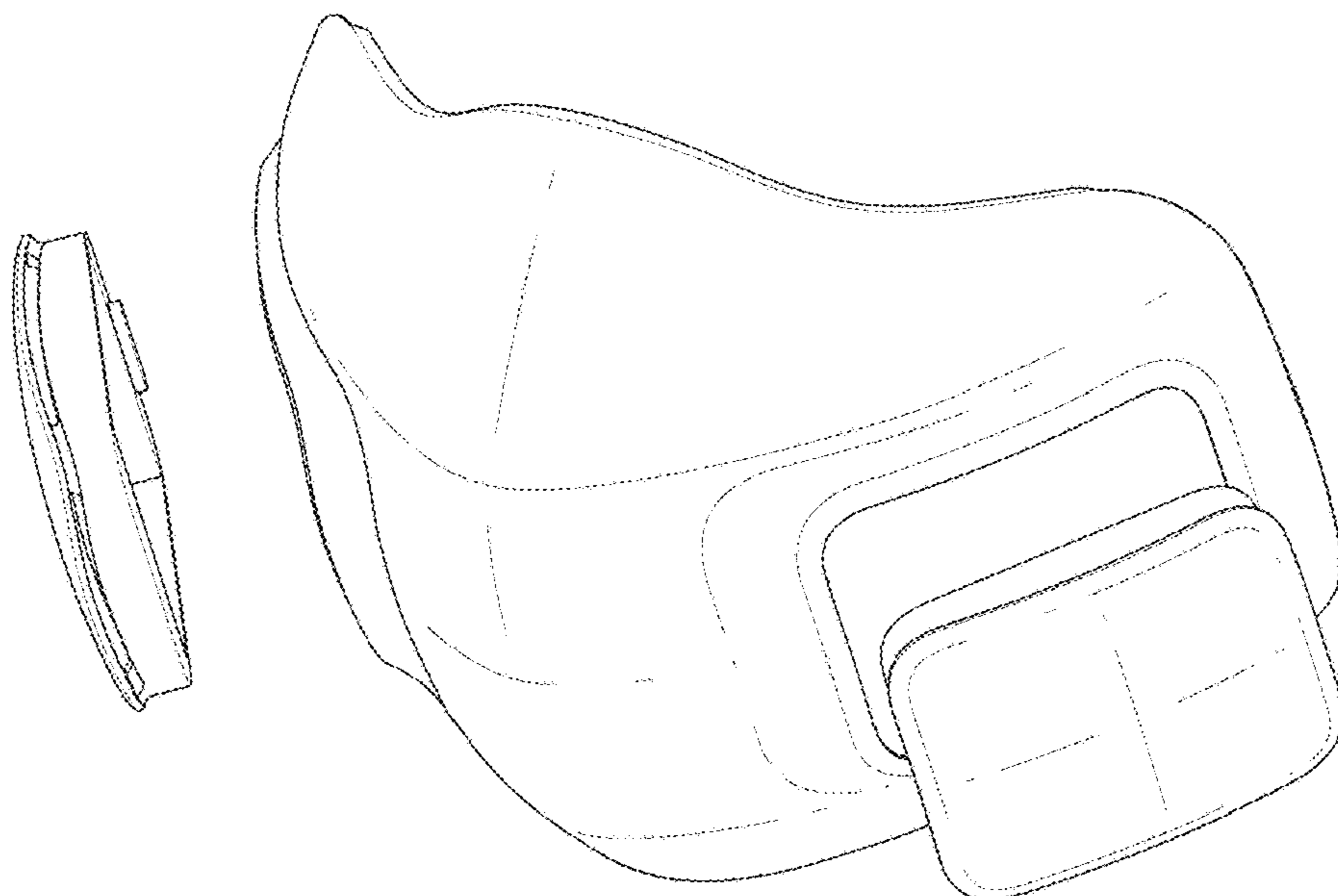


FIG. 9

