



US00D959643S

(12) **United States Design Patent**
Kim et al.

(10) **Patent No.:** **US D959,643 S**

(45) **Date of Patent:** **** Aug. 2, 2022**

(54) **AIR MASK**

(71) Applicant: **LG ELECTRONICS INC.**, Seoul (KR)

(72) Inventors: **Byeongwook Kim**, Seoul (KR);
Dongsoon Kim, Seoul (KR)

(73) Assignee: **LG ELECTRONICS INC.**, Seoul (KR)

(**) Term: **15 Years**

(21) Appl. No.: **29/751,960**

(22) Filed: **Sep. 24, 2020**

(30) **Foreign Application Priority Data**

Mar. 26, 2020 (KR) 30-2020-0013494

(51) **LOC (13) Cl.** **29-02**

(52) **U.S. Cl.**
USPC **D24/110.1; D29/108**

(58) **Field of Classification Search**
USPC D24/110, 110.1-110.6; D29/108
CPC . A41D 13/11; A41D 13/1107; A41D 13/1115;
A41D 13/1123; A41D 13/113; A41D
13/1138; A41D 13/1146; A41D 13/1153;
A41D 13/1161; A41D 13/1169; A41D
13/1176; A61M 16/06; A62B 18/00;
A62B 18/02; A62B 18/025; A62B 23/00
See application file for complete search history.

(56) **References Cited**

U.S. PATENT DOCUMENTS

- 2,664,887 A * 1/1954 Green A62B 18/025
285/200
- D271,246 S * 11/1983 Matheson D24/110.4
- D286,213 S * 10/1986 Maryanek D24/110.1
- D396,283 S * 7/1998 Scholey D24/110.5
- D467,656 S * 12/2002 Mittelstadt D24/110.1
- D471,627 S * 3/2003 Mittelstadt D24/110.1

- D518,571 S * 4/2006 Martin D24/110.1
- D613,851 S * 4/2010 Pilgrim D24/110.1
- D645,956 S * 9/2011 Grimsley D24/110.4
- D677,780 S * 3/2013 Choi D24/110.1
- D721,169 S * 1/2015 Moon A62B 18/02
D24/110.1
- D764,656 S * 8/2016 Skov D24/110.1
- D776,258 S * 1/2017 Mittelstadt D24/110.1
- D849,239 S * 5/2019 Gerson D24/110.1

(Continued)

FOREIGN PATENT DOCUMENTS

- CN 302912292 * 8/2014
- CN 303808927 * 8/2016

(Continued)

OTHER PUBLICATIONS

LG Puricare (available [online]) Retrieved from the internet Mar. 25, 2022 from URL: https://www.lg.com/hk_en/puricare/lg-ap300awfa (Year: 2022).*

Primary Examiner — Richard Kearney
Assistant Examiner — Michael Hoffman

(74) *Attorney, Agent, or Firm* — Birch, Stewart, Kolasch & Birch, LLP

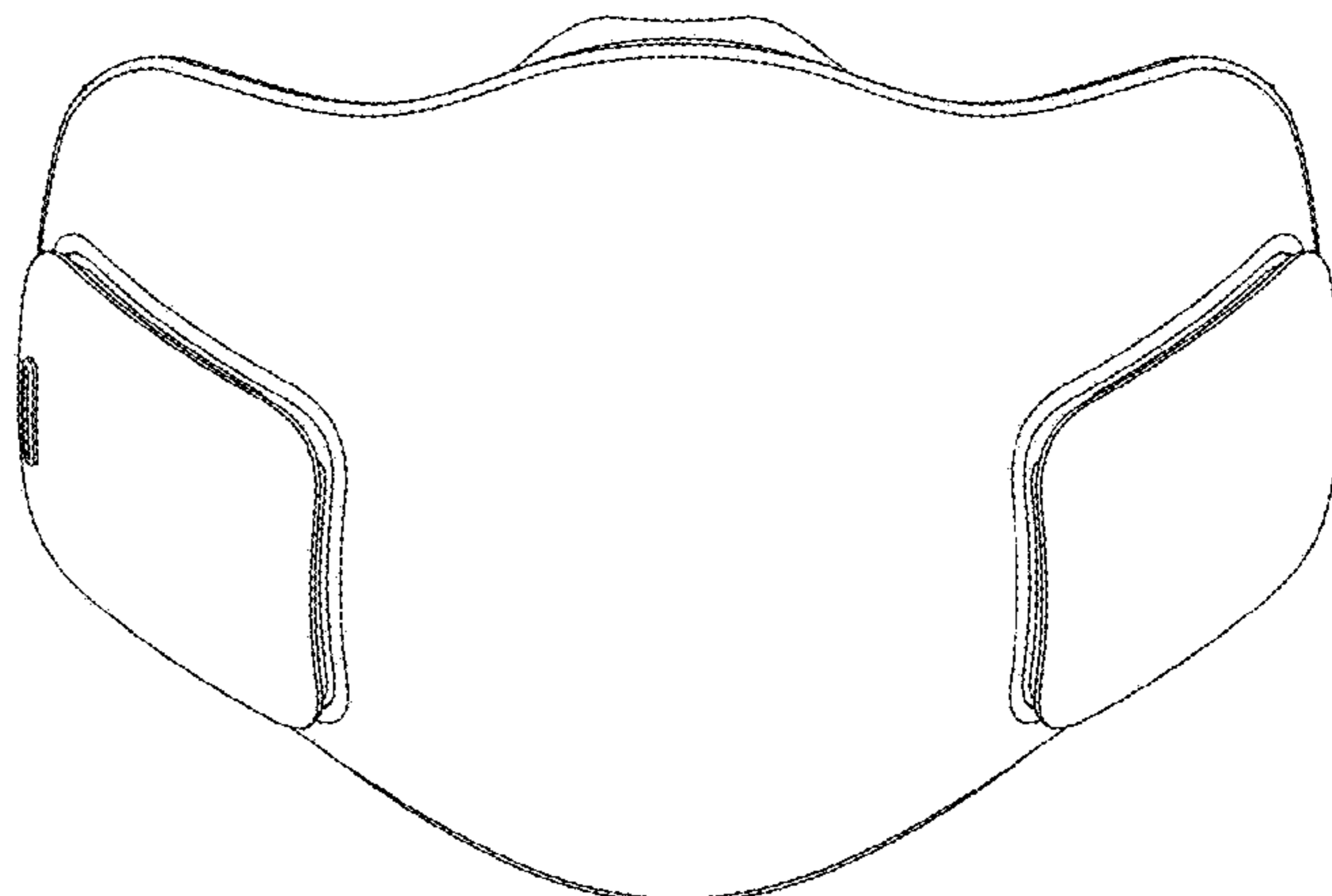
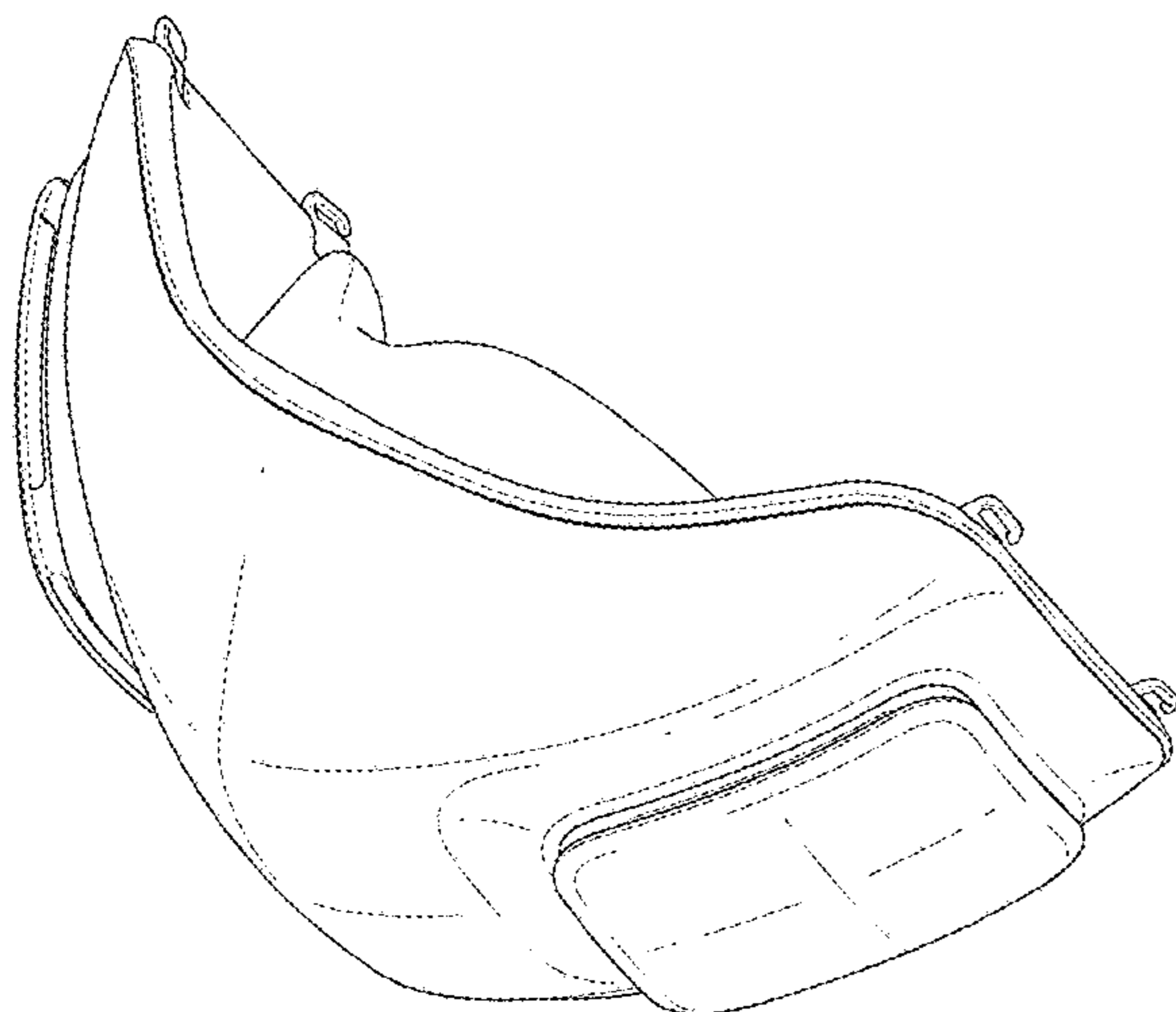
(57) **CLAIM**

The ornamental design for an air mask, as shown and described.

DESCRIPTION

FIG. 1 is a front, right side, perspective view of an air mask showing our new design;
FIG. 2 is a front view thereof;
FIG. 3 is a rear view thereof;
FIG. 4 is a left side view thereof;
FIG. 5 is a right side view thereof;
FIG. 6 is a top view thereof; and,
FIG. 7 is a bottom view.

1 Claim, 4 Drawing Sheets



(56)

References Cited

U.S. PATENT DOCUMENTS

D885,676 S * 5/2020 Yuan D29/108
D908,205 S * 1/2021 Hwang D24/110.1
D925,725 S * 7/2021 Kim D24/110.1
2021/0378326 A1* 12/2021 Choi A62B 18/084

FOREIGN PATENT DOCUMENTS

CN 306035495 * 9/2020
CN 306651577 * 6/2021
CN 306910511 * 10/2021

* cited by examiner

FIG. 1

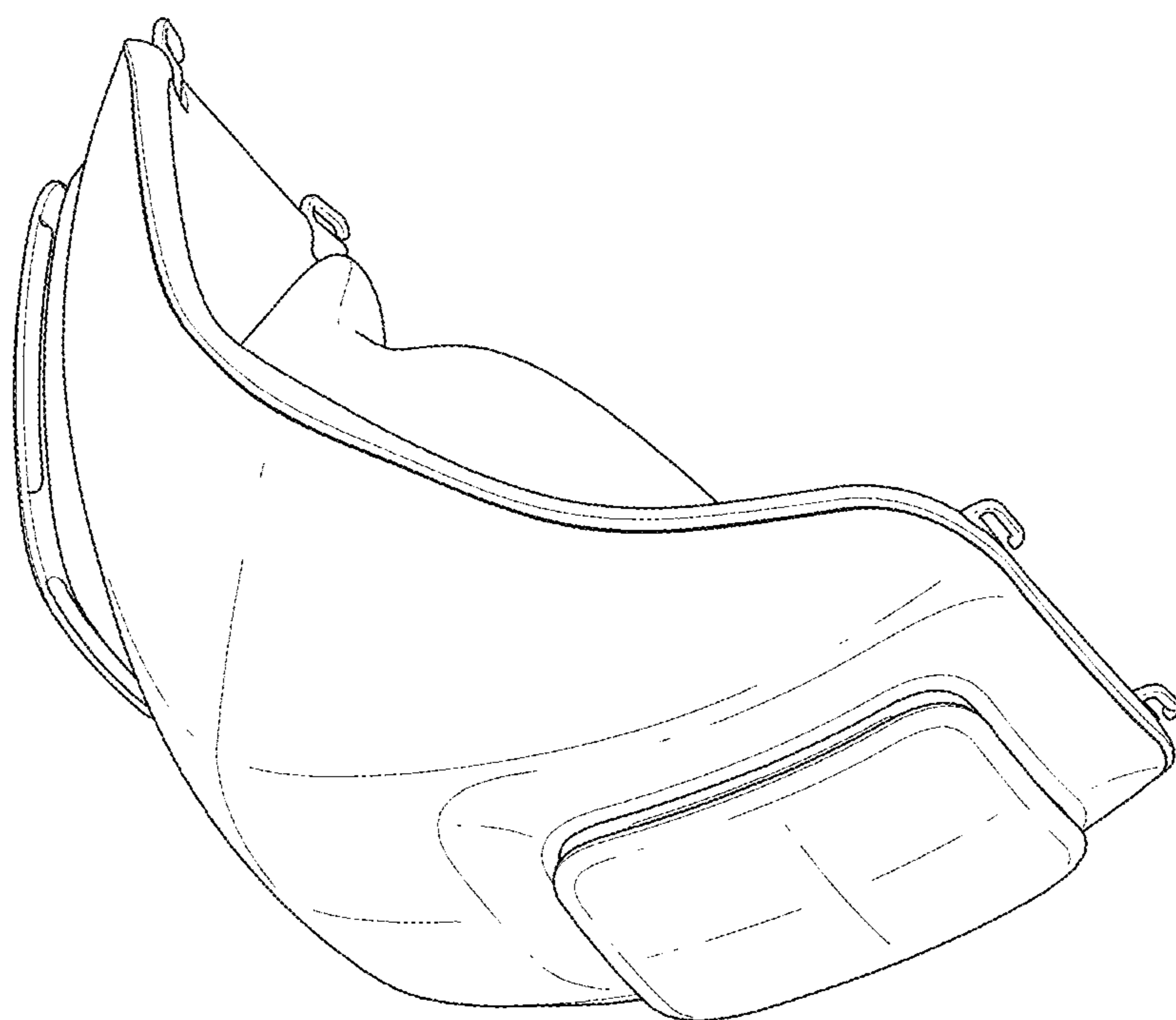


FIG. 2

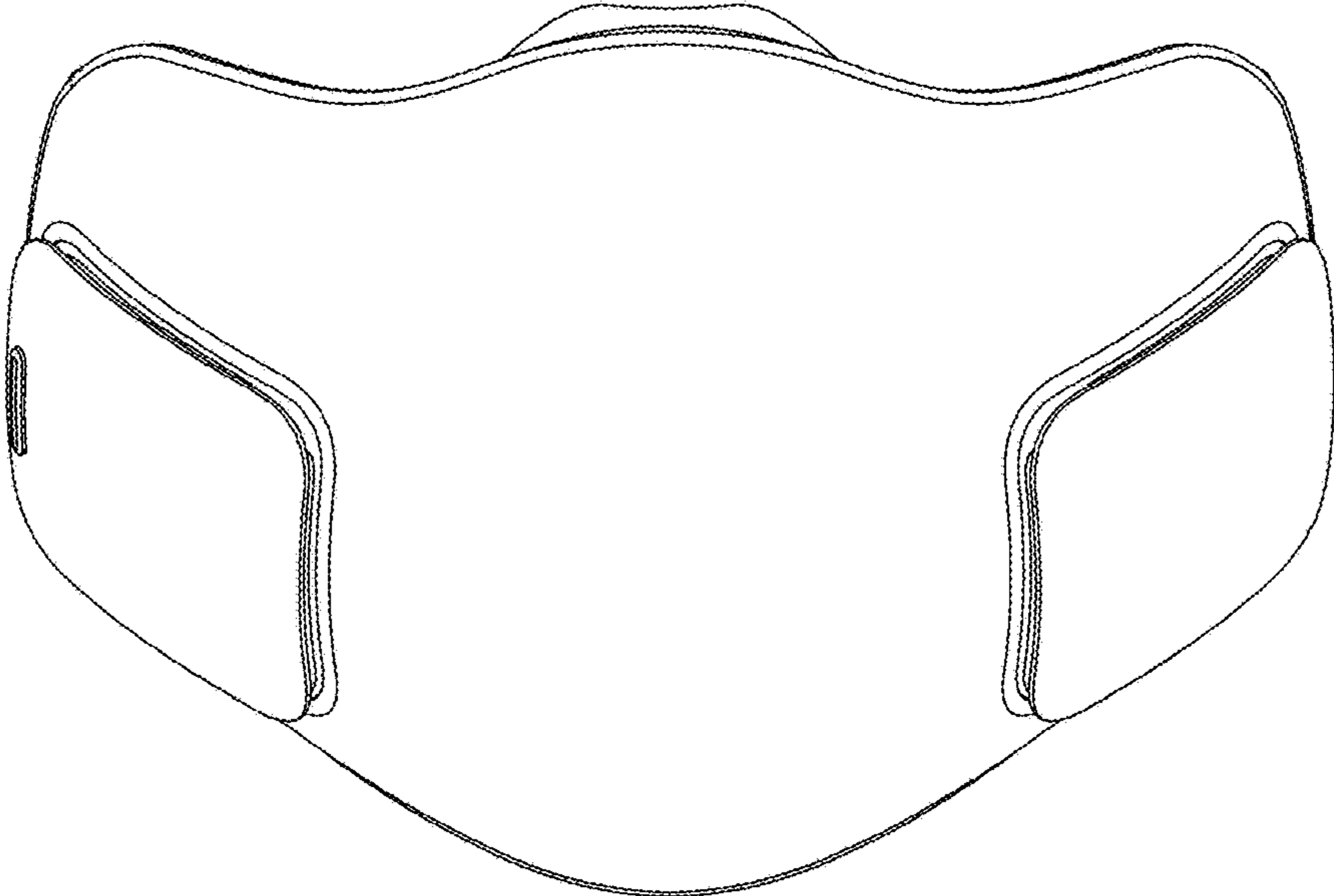


FIG. 3

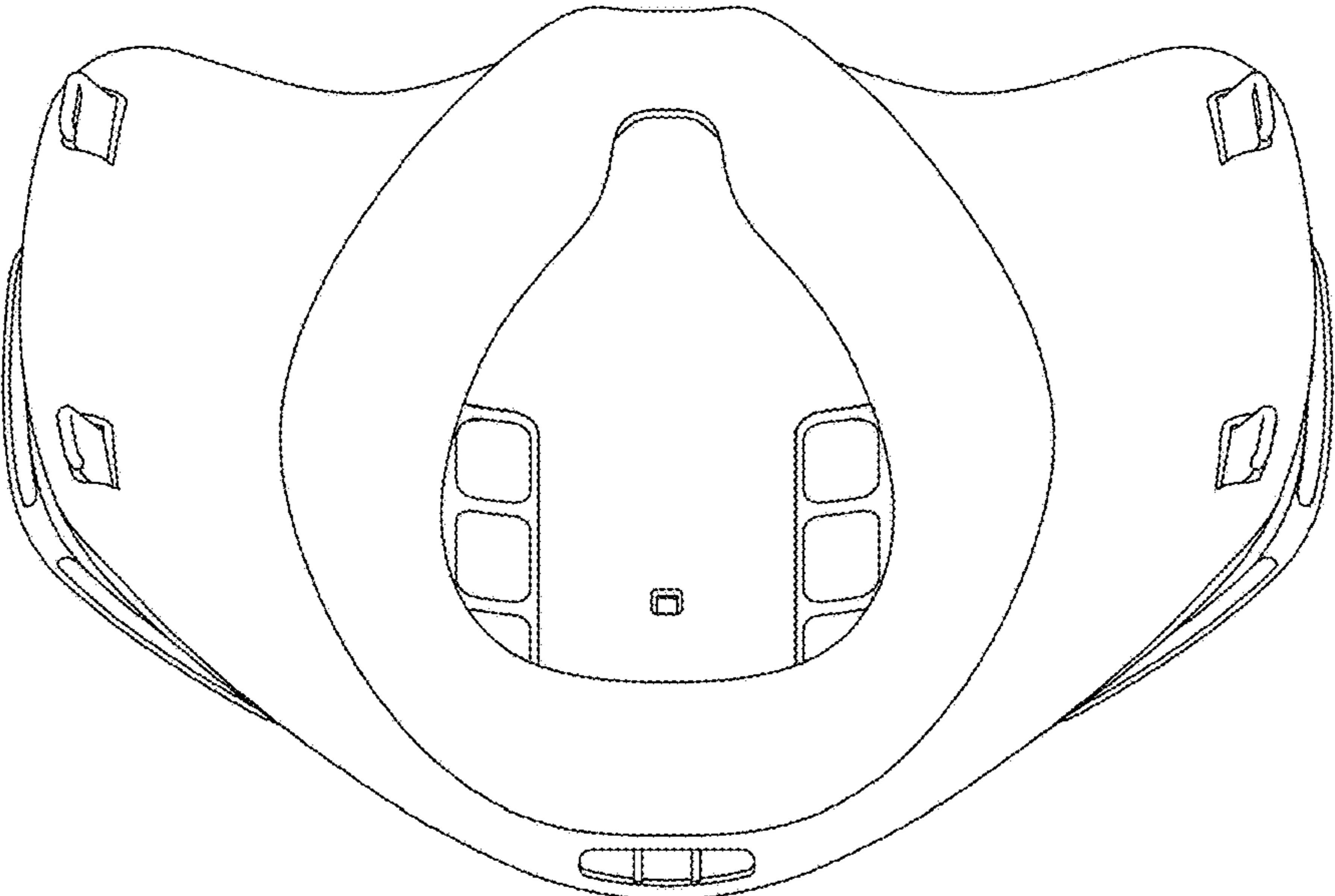


FIG. 4



FIG. 5

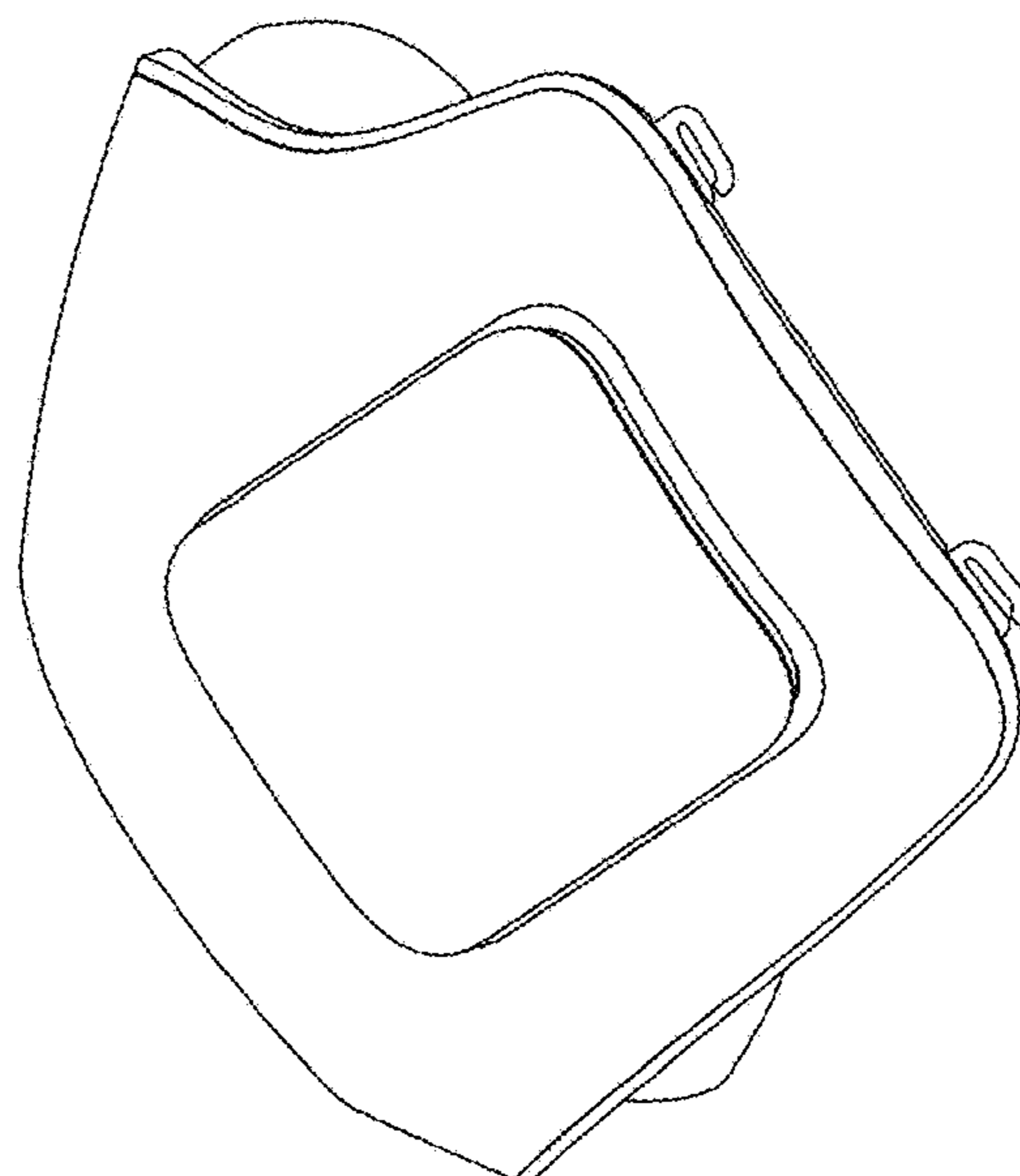


FIG. 6

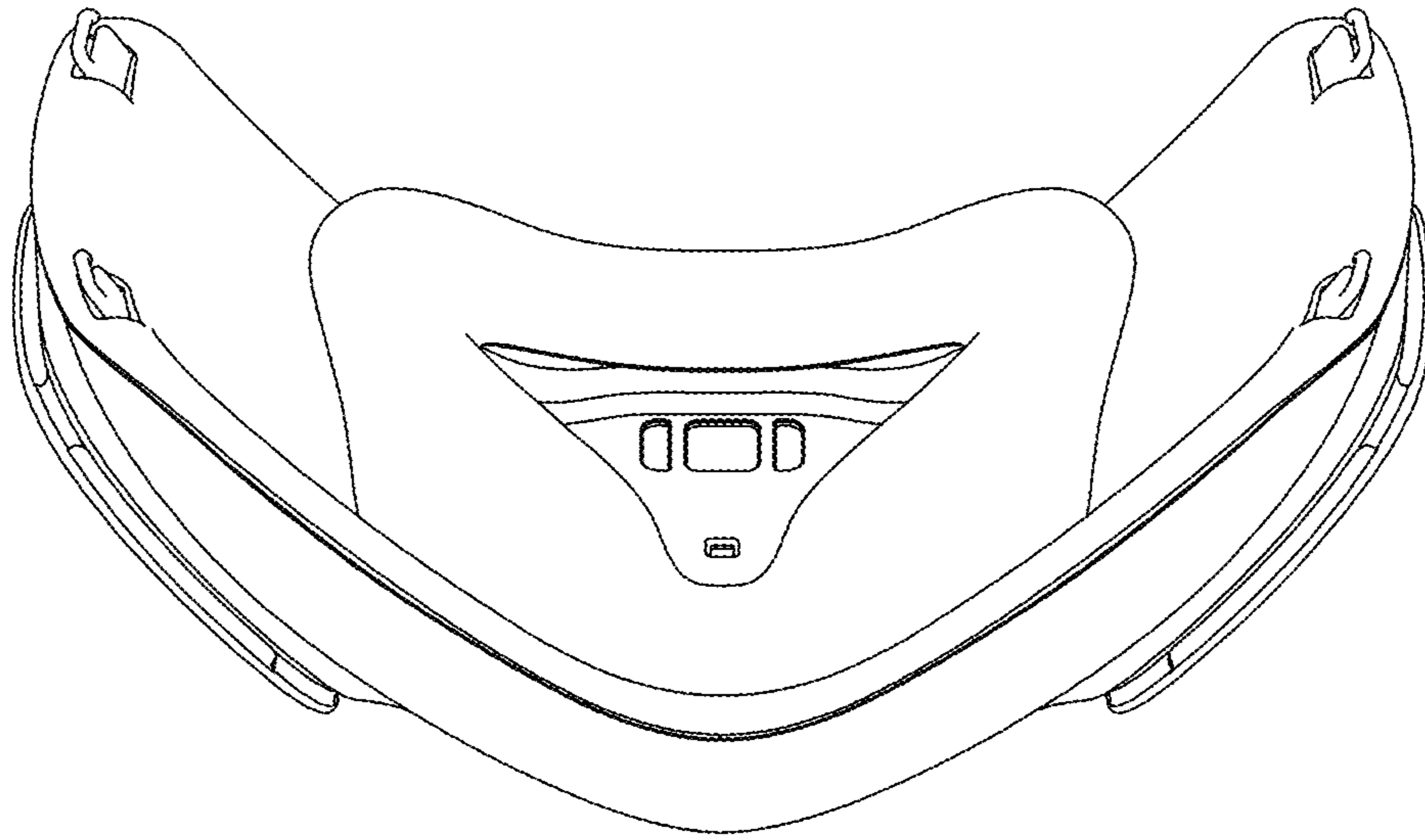


FIG. 7

