

US00D959641S

(12) **United States Design Patent** (10) **Patent No.:** **US D959,641 S**
Biswas et al. (45) **Date of Patent:** **** Aug. 2, 2022**

(54) **INHALER MONITORING ATTACHMENT**

(71) Applicants: **Rajoshi Biswas**, Santa Ana, CA (US);
Gaurav Patel, Santa Ana, CA (US)

(72) Inventors: **Rajoshi Biswas**, Santa Ana, CA (US);
Gaurav Patel, Santa Ana, CA (US)

(73) Assignees: **Rajoshi Biswas**, Santa Ana, CA (US);
Gaurav Patel, Santa Ana, CA (US)

(**) Term: **15 Years**

(21) Appl. No.: **29/715,121**

(22) Filed: **Nov. 27, 2019**

(51) **LOC (13) Cl.** **29-02**

(52) **U.S. Cl.**
USPC **D24/110**

(58) **Field of Classification Search**
USPC D24/107, 108, 110, 110.1–110.5, 127,
D24/164; D29/108; D27/163–167
CPC A61M 15/0085; A61M 15/0005; A61M
11/005; A61M 11/00; A61M 11/02;
A61M 11/04; A61M 5/087; A61M
5/0871; A61M 5/091; A61M 5/097;
A61M 15/00; A61M 15/0065; A61M
15/0091; A61M 15/0021; A61M 15/0026;
A61M 15/008; A61M 15/007; A63B
23/18

See application file for complete search history.

(56) **References Cited**

U.S. PATENT DOCUMENTS

9,526,858 B2 * 12/2016 Zuyderhoudt A61M 15/009
D863,532 S * 10/2019 Jackson D24/110

D903,094 S * 11/2020 Ghodsi D24/108
10,953,168 B2 * 3/2021 Biswas G16H 20/40
2006/0254581 A1 * 11/2006 Genova A61M 15/0065
128/200.23
2011/0265788 A1 * 11/2011 Wu A61M 15/009
128/200.23
2012/0012106 A1 * 1/2012 Bari A61M 15/009
128/200.23
2015/0235548 A1 * 8/2015 Engelhard G08B 21/24
222/1

* cited by examiner

Primary Examiner — Sheryl Lane
Assistant Examiner — Aula Soroush

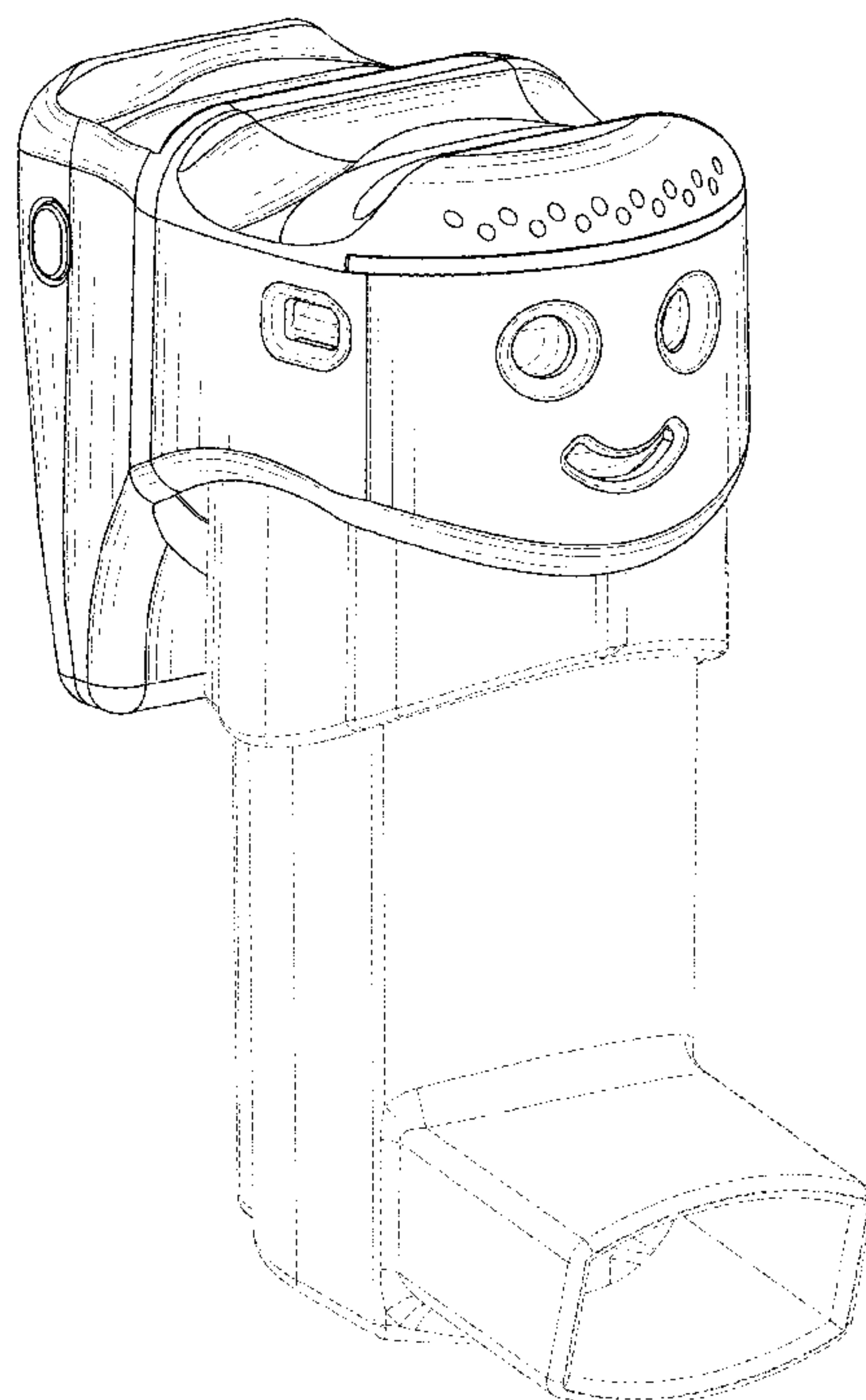
(57) **CLAIM**

The ornamental design for an inhaler monitoring attachment, as shown and described.

DESCRIPTION

FIG. 1 is a front, top, and left side perspective view of an inhaler monitoring attachment;
FIG. 2 is a front elevation view thereof;
FIG. 3 is a rear elevation view thereof;
FIG. 4 is a top plan view thereof;
FIG. 5 is a left side elevation view thereof; and,
FIG. 6 is a right side elevation view thereof.
The broken line showing of the inhaler depicts environmental structure and forms no part of the claimed design. All other broken lines depict portions of the inhaler attachment for an inhaler that form no part of the claimed design.

1 Claim, 6 Drawing Sheets



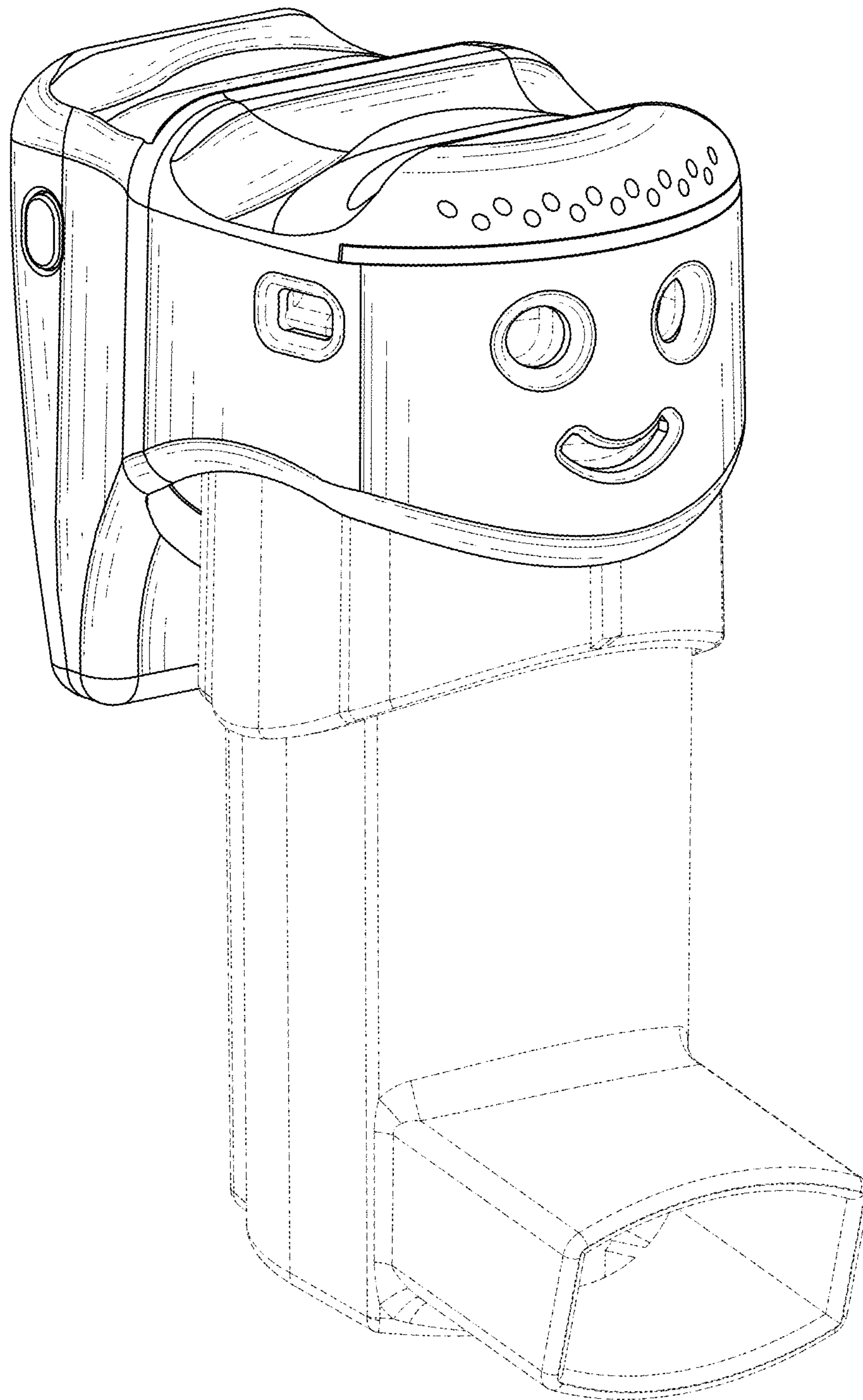


FIG. 1

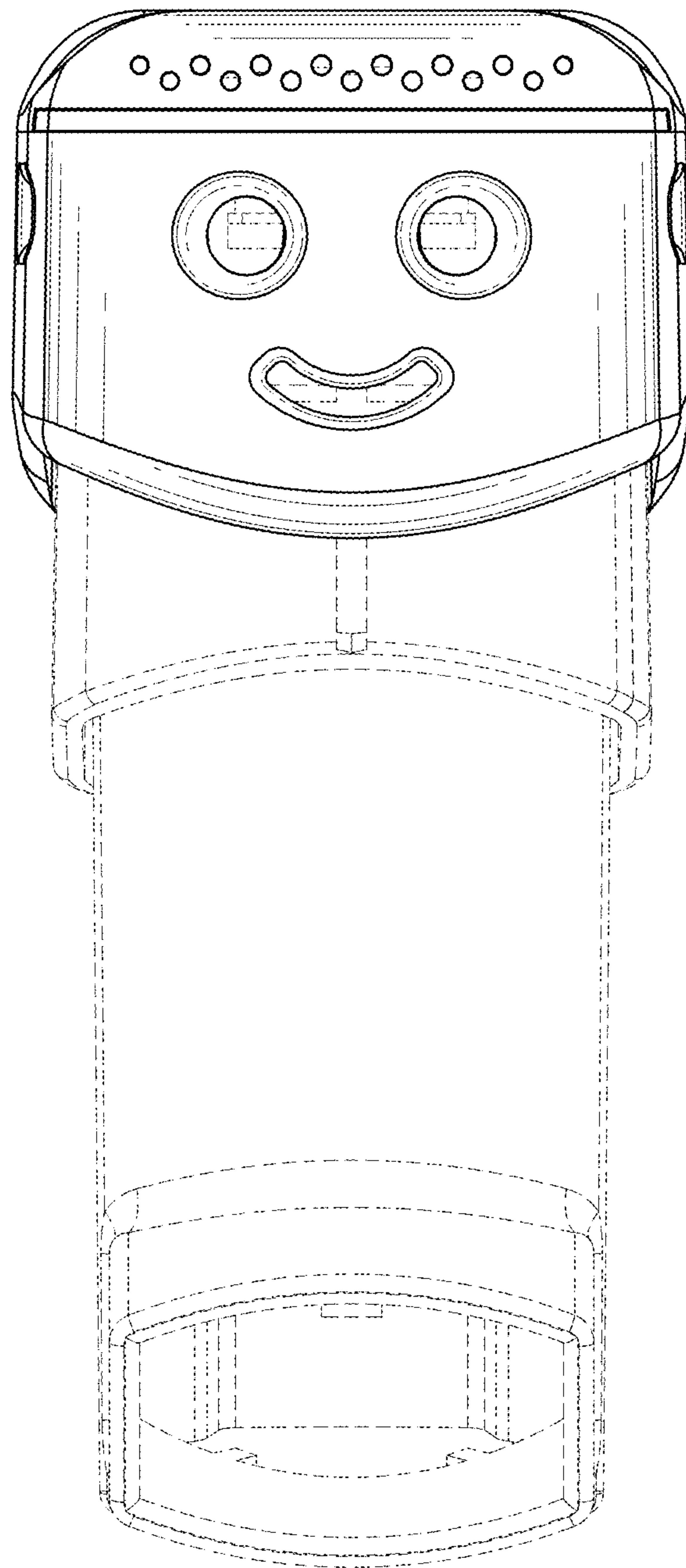


FIG. 2

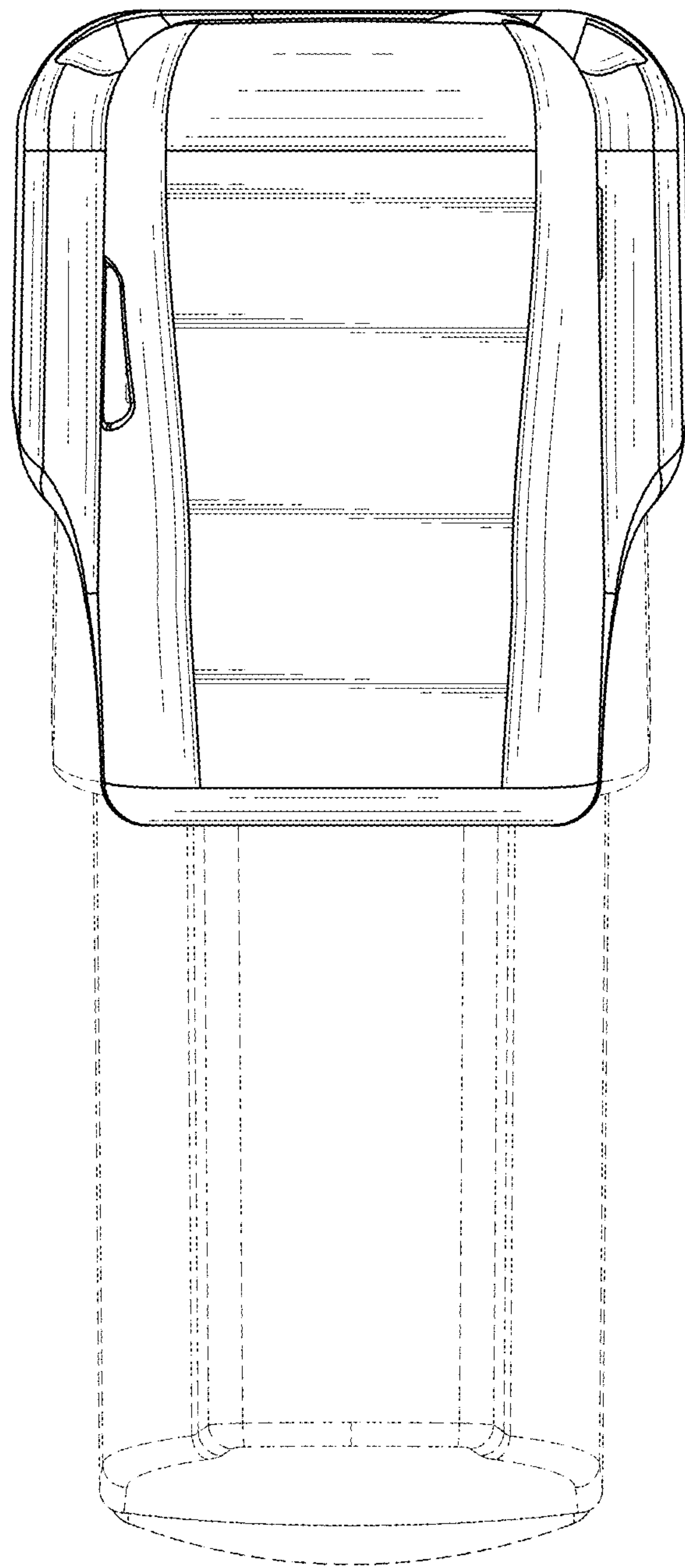


FIG. 3

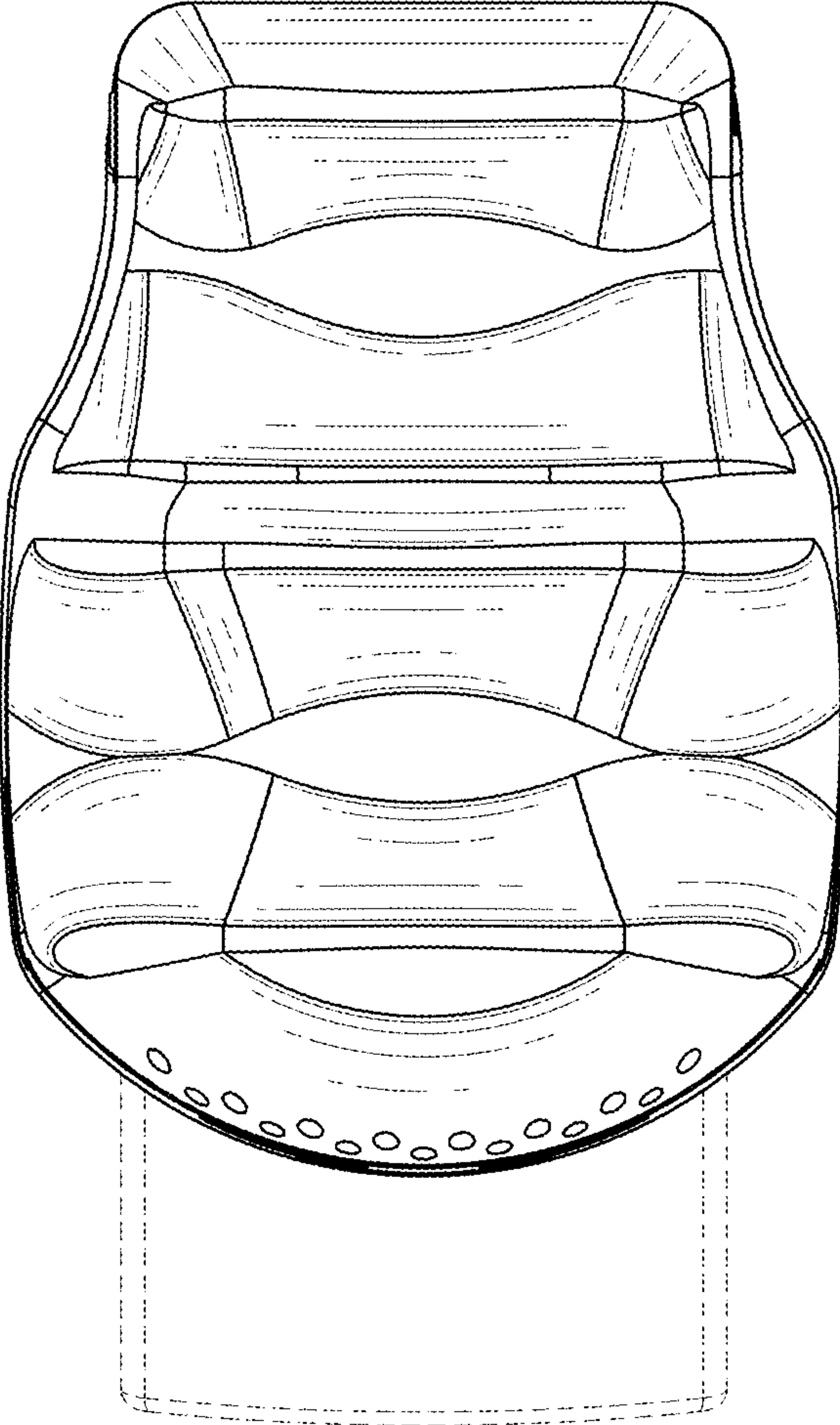


FIG. 4

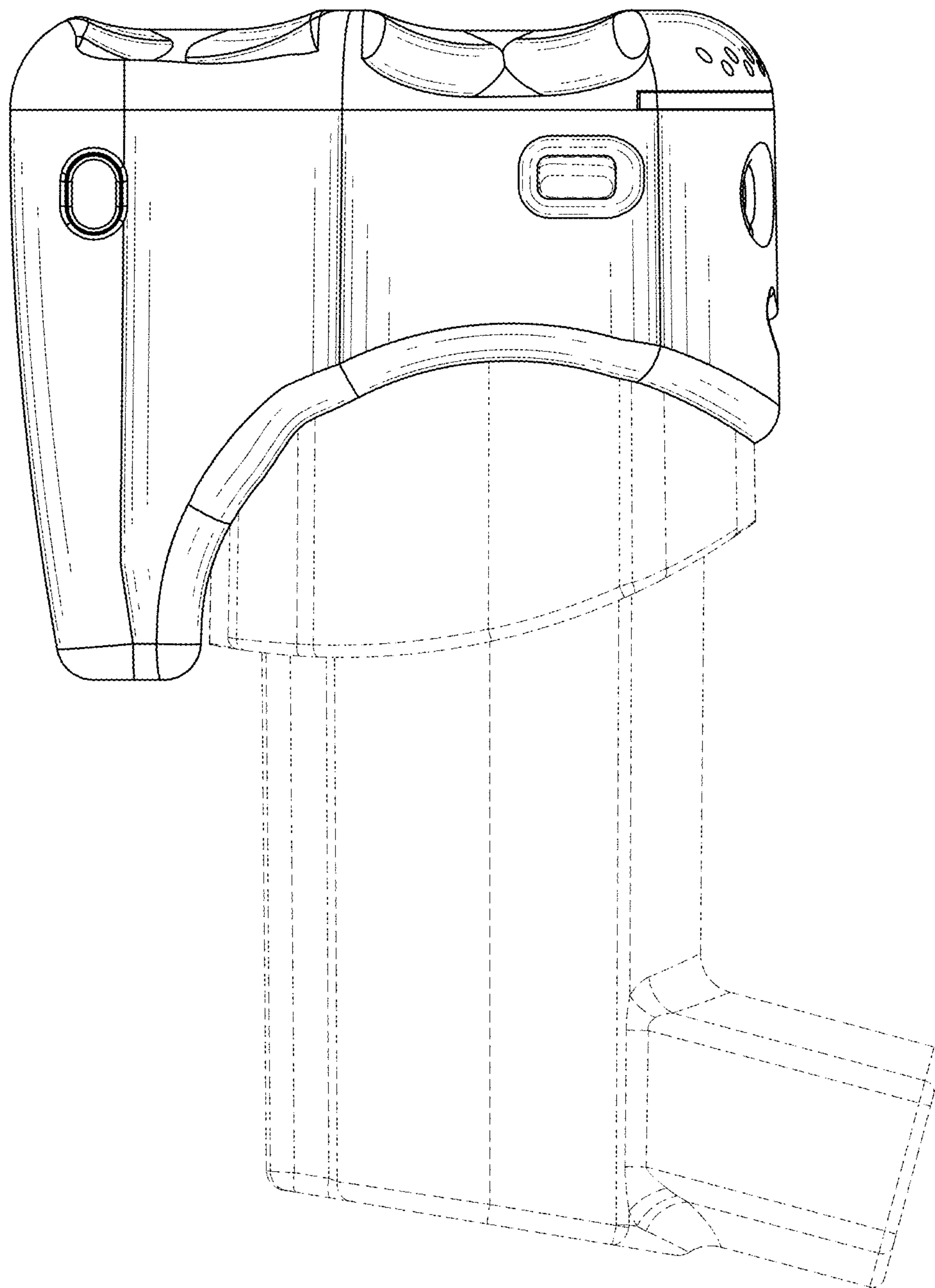


FIG. 5

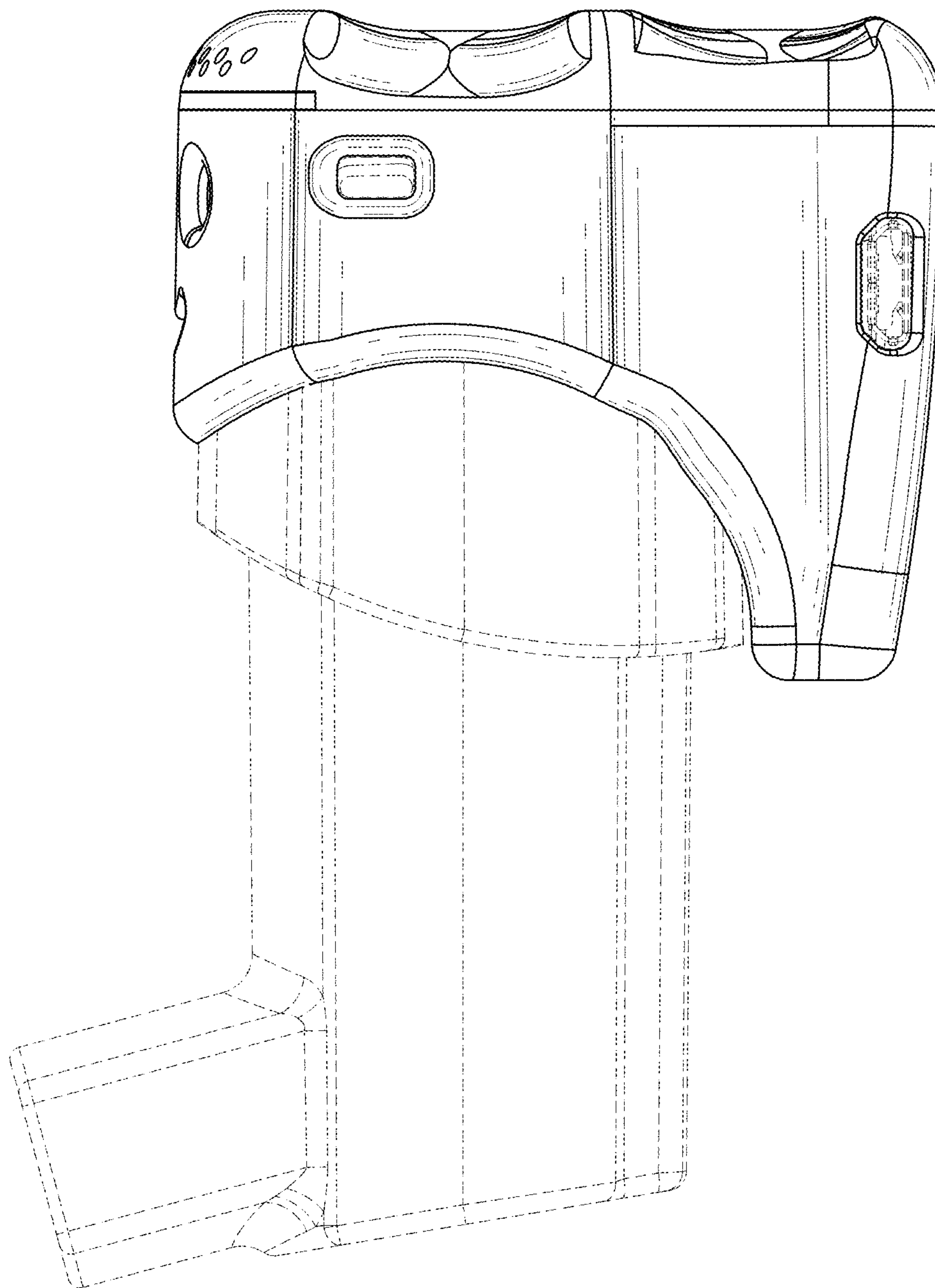


FIG. 6