



US00D959640S

(12) **United States Design Patent** (10) **Patent No.:** **US D959,640 S**
Gorali (45) **Date of Patent:** **** Aug. 2, 2022**

(54) **CEILING FAN BLADE**
(71) Applicant: **Yuval Shimon Gorali**, Tel Aviv (IL)
(72) Inventor: **Yuval Shimon Gorali**, Tel Aviv (IL)
(**) Term: **15 Years**
(21) Appl. No.: **29/721,157**
(22) Filed: **Jan. 17, 2020**
(51) **LOC (13) Cl.** **23-03**
(52) **U.S. Cl.**
USPC **D23/413**
(58) **Field of Classification Search**
USPC D23/370, 377, 379, 385, 411-414;
D26/59
CPC F04D 25/088; F04D 29/38; F04D 29/384;
F04D 29/386; F21V 33/0096
See application file for complete search history.

D806,856 S * 1/2018 Schulzman D23/413
D834,174 S * 11/2018 Fuselier D23/413
D861,809 S * 10/2019 Jones D21/697
D861,851 S * 10/2019 Schulzman D23/413
D878,500 S * 3/2020 Jones D23/413
D890,870 S * 7/2020 Jones D23/413
D902,378 S * 11/2020 McRoberts D23/413
D944,968 S * 3/2022 Gorali D23/411

* cited by examiner

Primary Examiner — Sharon S Oum
(74) *Attorney, Agent, or Firm* — Vorys, Sater, Seymour & Pease LLP; William Klima

(57) **CLAIM**

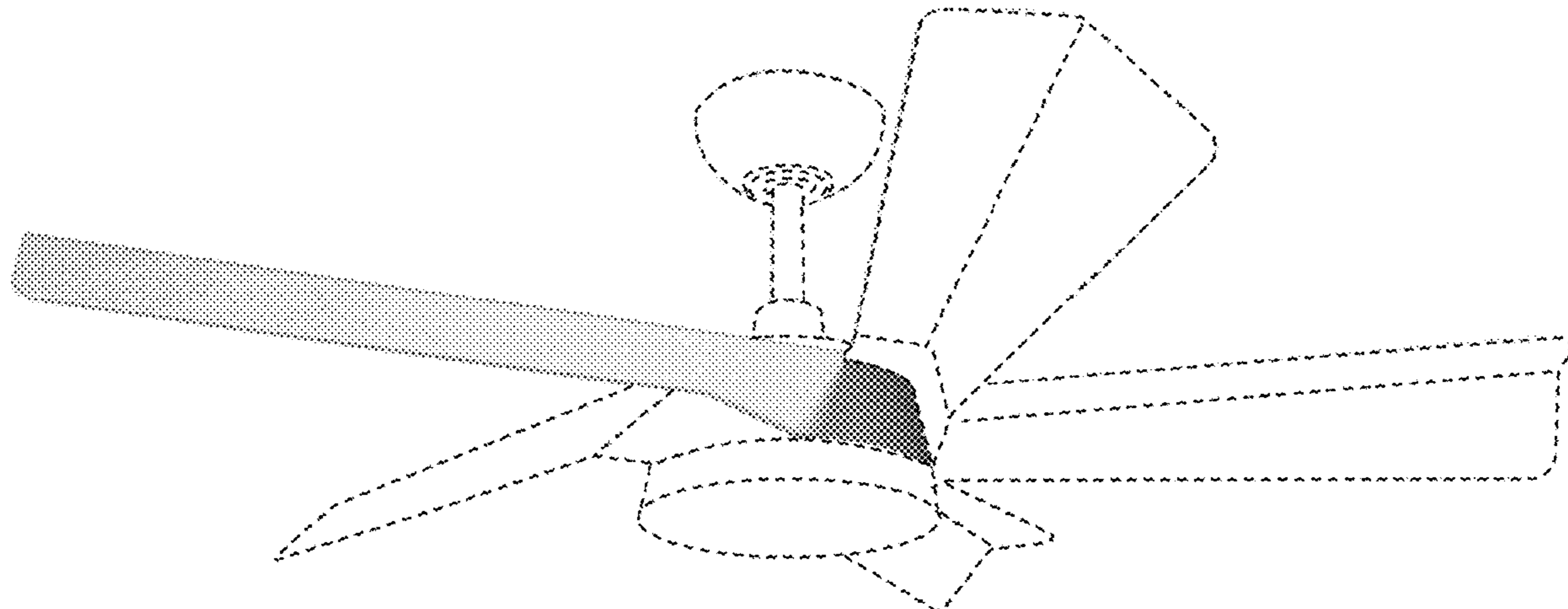
The ornamental design for a ceiling fan blade, as shown and described.

DESCRIPTION

FIG. 1 is a bottom perspective view of a ceiling fan blade in accordance with my new design, shown in the environment of a ceiling fan;
FIG. 2 is a front, right and top perspective view of the ceiling fan blade shown in FIG. 1, shown in a detached position and without the ceiling fan environment of the new design as seen in FIG. 1.
FIG. 3 is a front, left and bottom perspective view thereof;
FIG. 4 is a front, left and bottom perspective view thereof;
FIG. 5 is a rear, right and top perspective view thereof;
FIG. 6 is a bottom and front perspective view thereof;
FIG. 7 is a top and front perspective view thereof;
FIG. 8 is a right-side view thereof;
FIG. 9 is a bottom view thereof; and,
FIG. 10 is a top view thereof.

1 Claim, 10 Drawing Sheets

(56) **References Cited**
U.S. PATENT DOCUMENTS
D345,790 S * 4/1994 Caldwell D23/385
D503,472 S * 3/2005 Tai D23/413
D503,473 S * 3/2005 Tai D23/413
D503,474 S * 3/2005 Tai D23/413
D503,475 S * 3/2005 Tai D23/413
D503,476 S * 3/2005 Tai D23/413
D503,795 S * 4/2005 Tai D23/413
D505,724 S * 5/2005 Tai D23/413
D507,644 S * 7/2005 Tai D23/413
D516,208 S * 2/2006 Tai D23/413
D715,418 S * 10/2014 Schulzman D26/59
D726,299 S * 4/2015 Schulzman D23/413
D750,221 S * 2/2016 Schulzman D23/413
D773,640 S * 12/2016 Wang D23/413
D794,768 S * 8/2017 Wang D23/377
D796,659 S * 9/2017 Schulzman D23/377



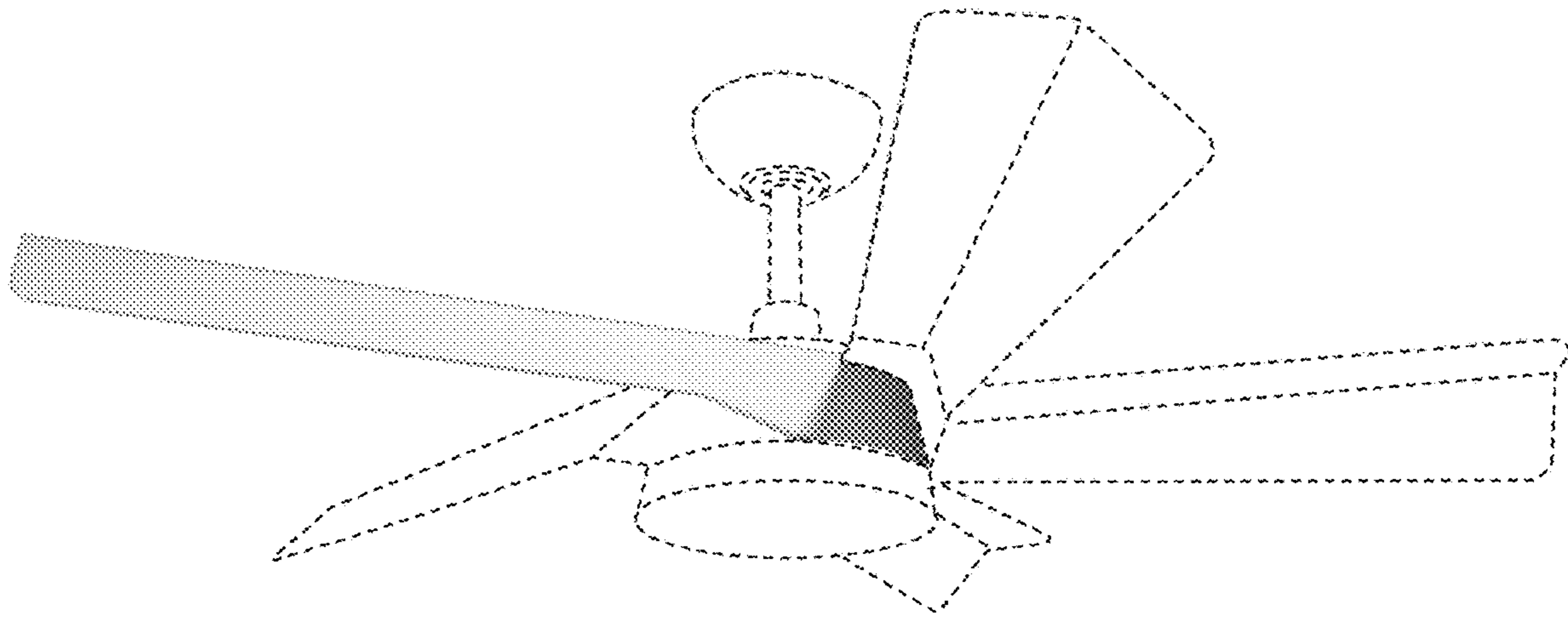


FIG 1

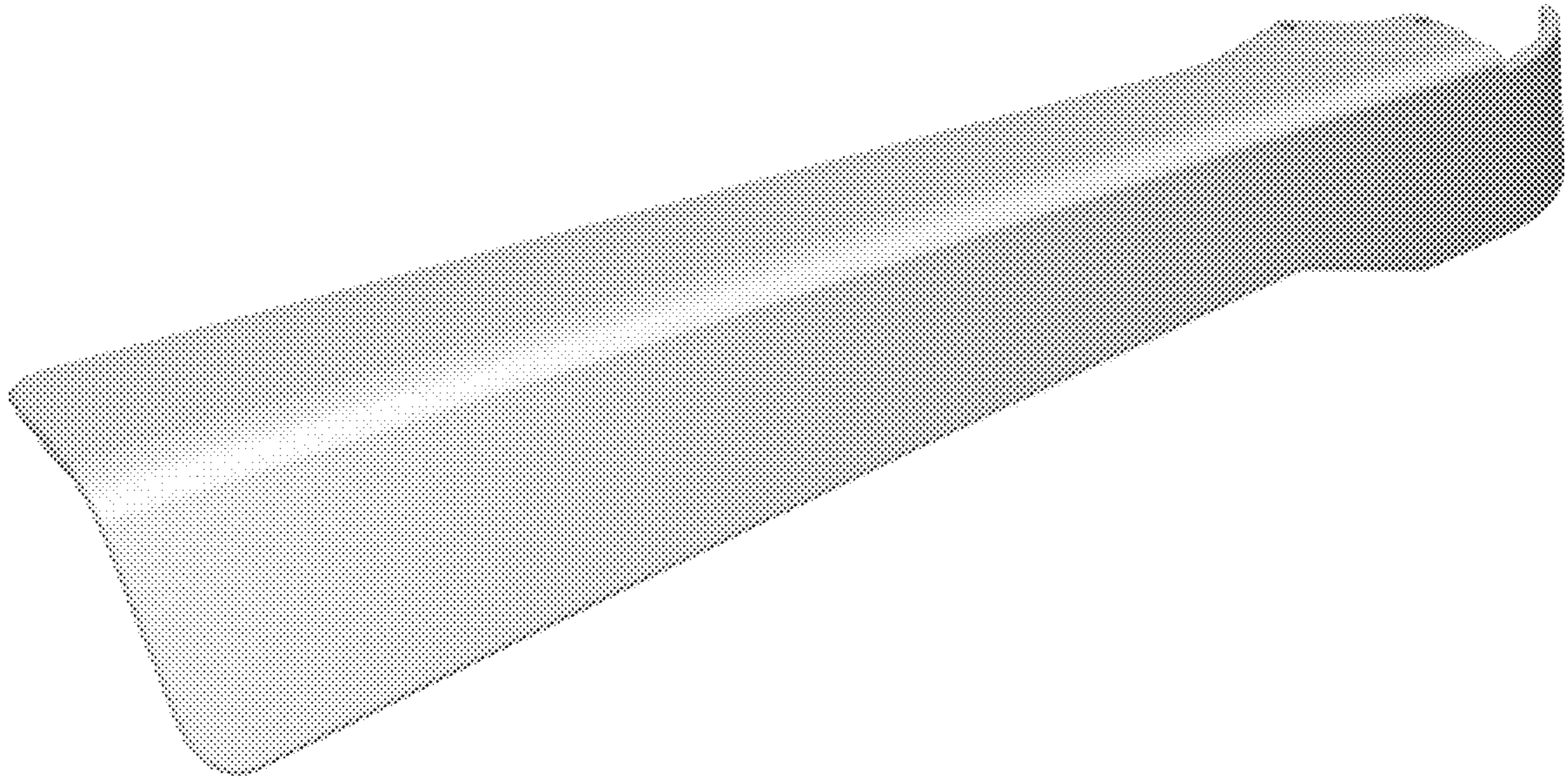


FIG 2

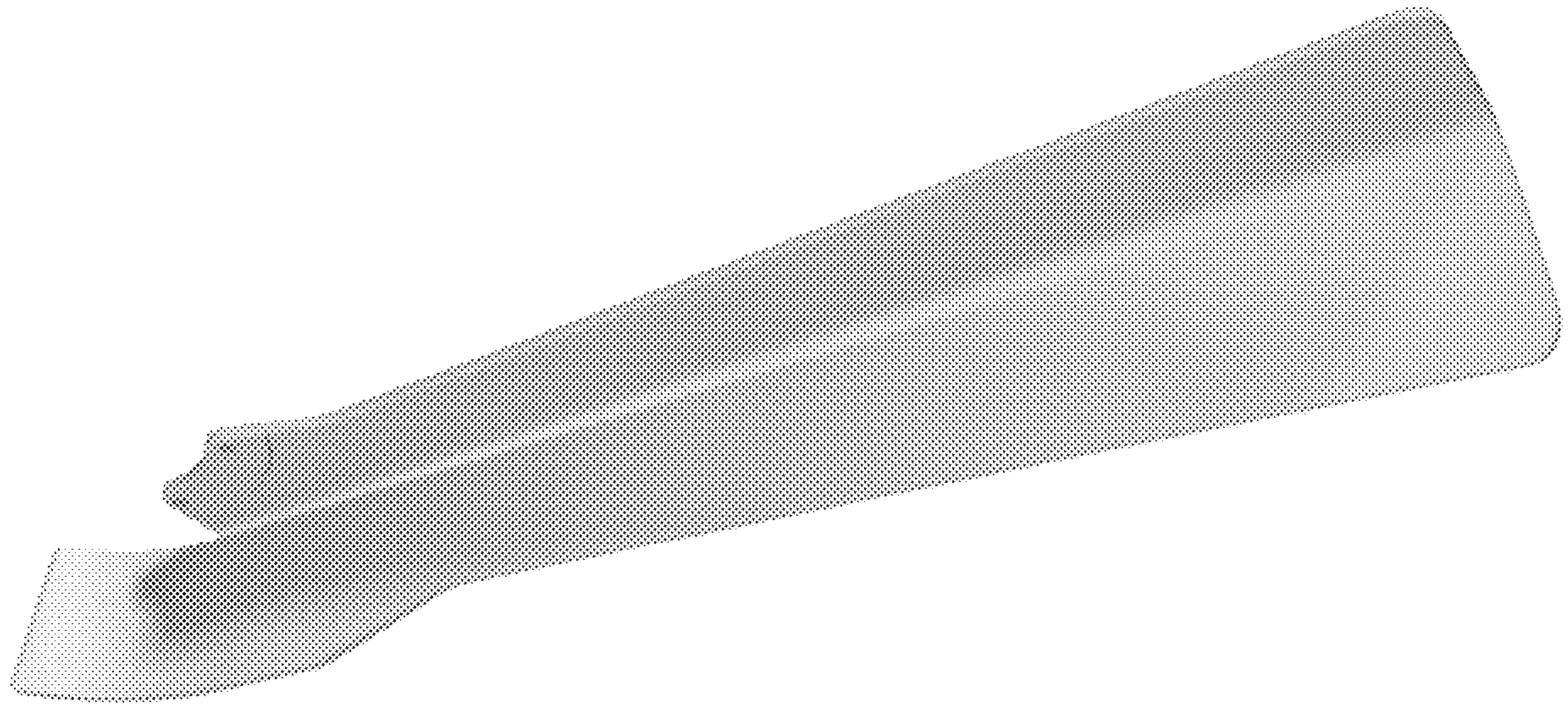


FIG 3

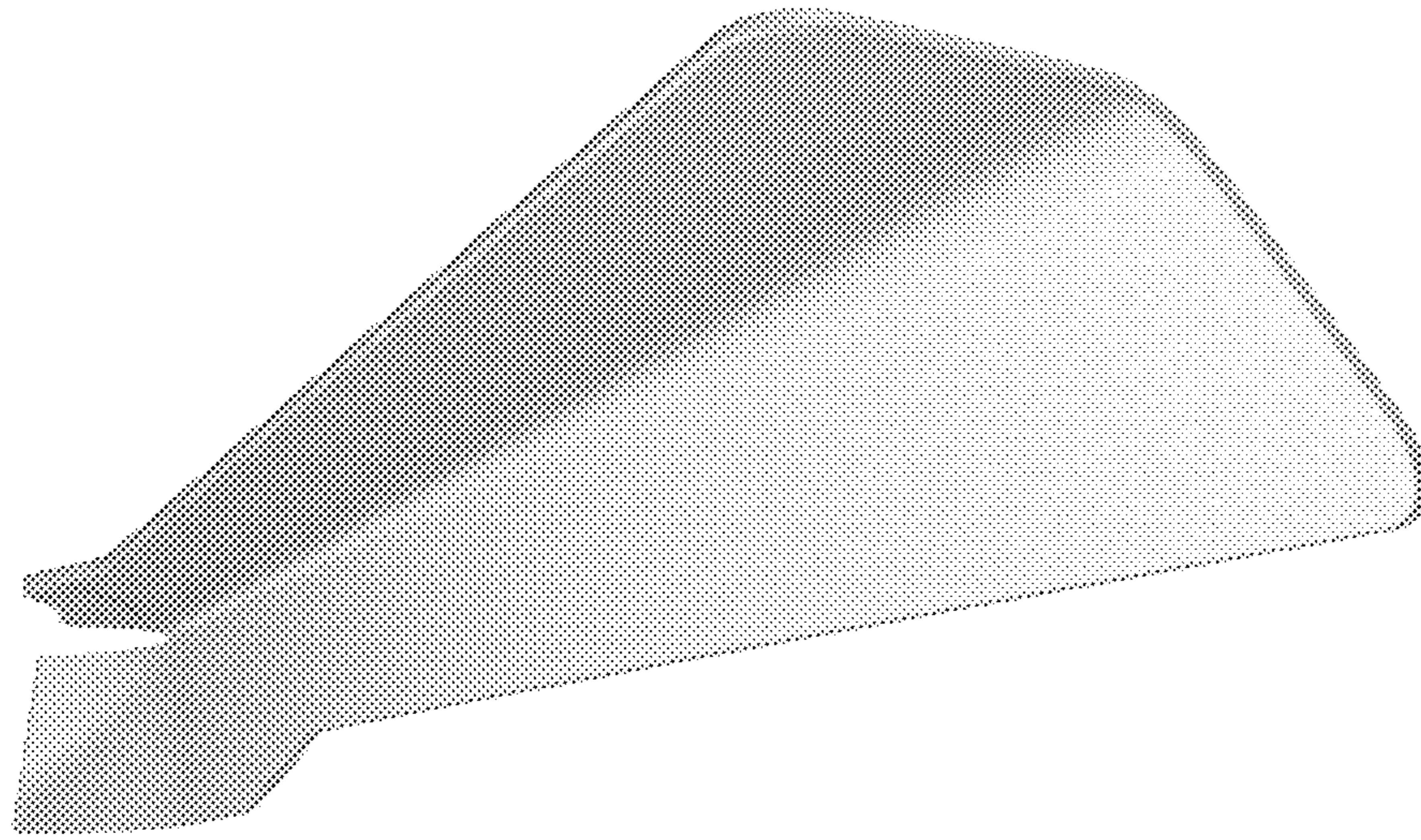


FIG 4

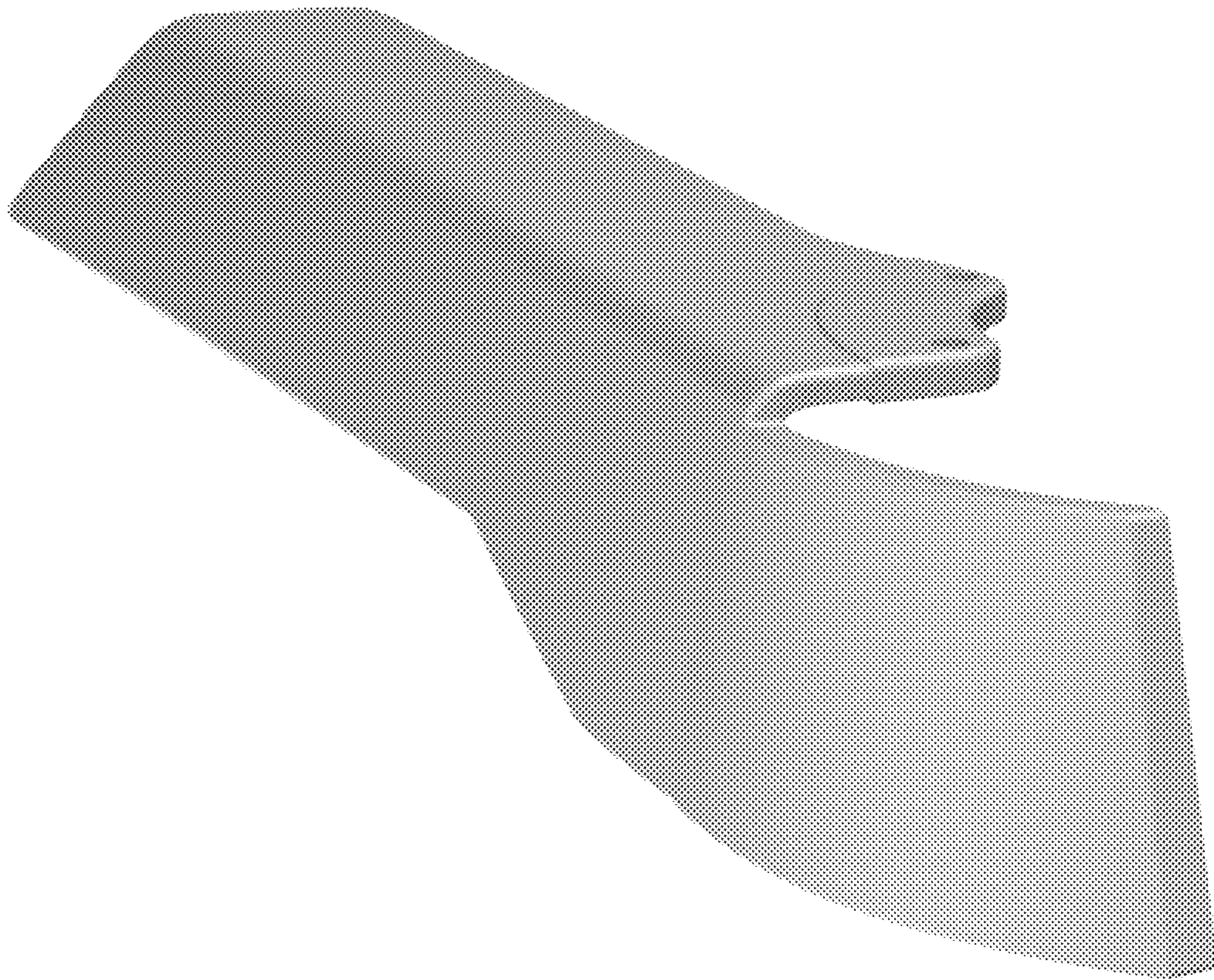


FIG 5

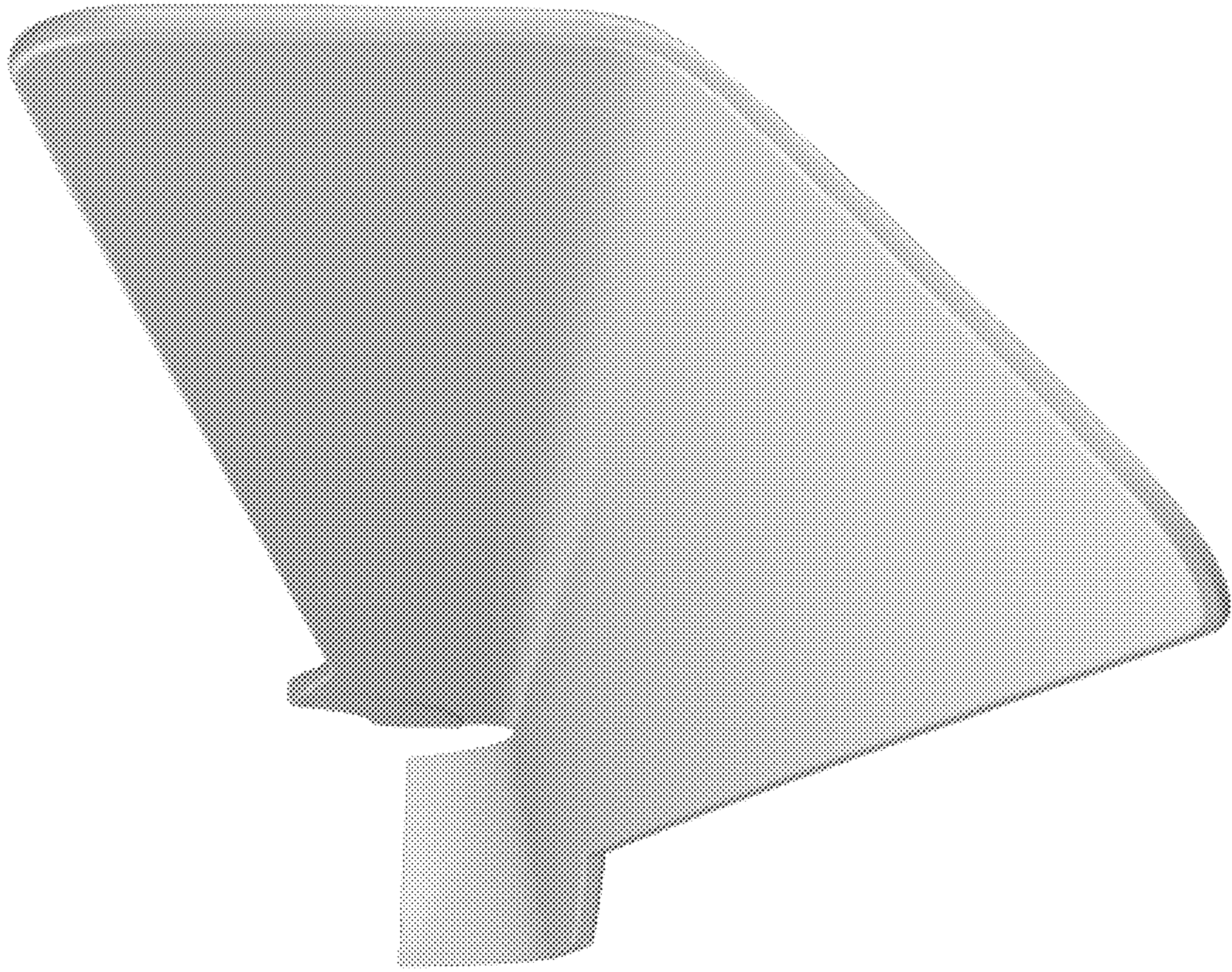


FIG 6

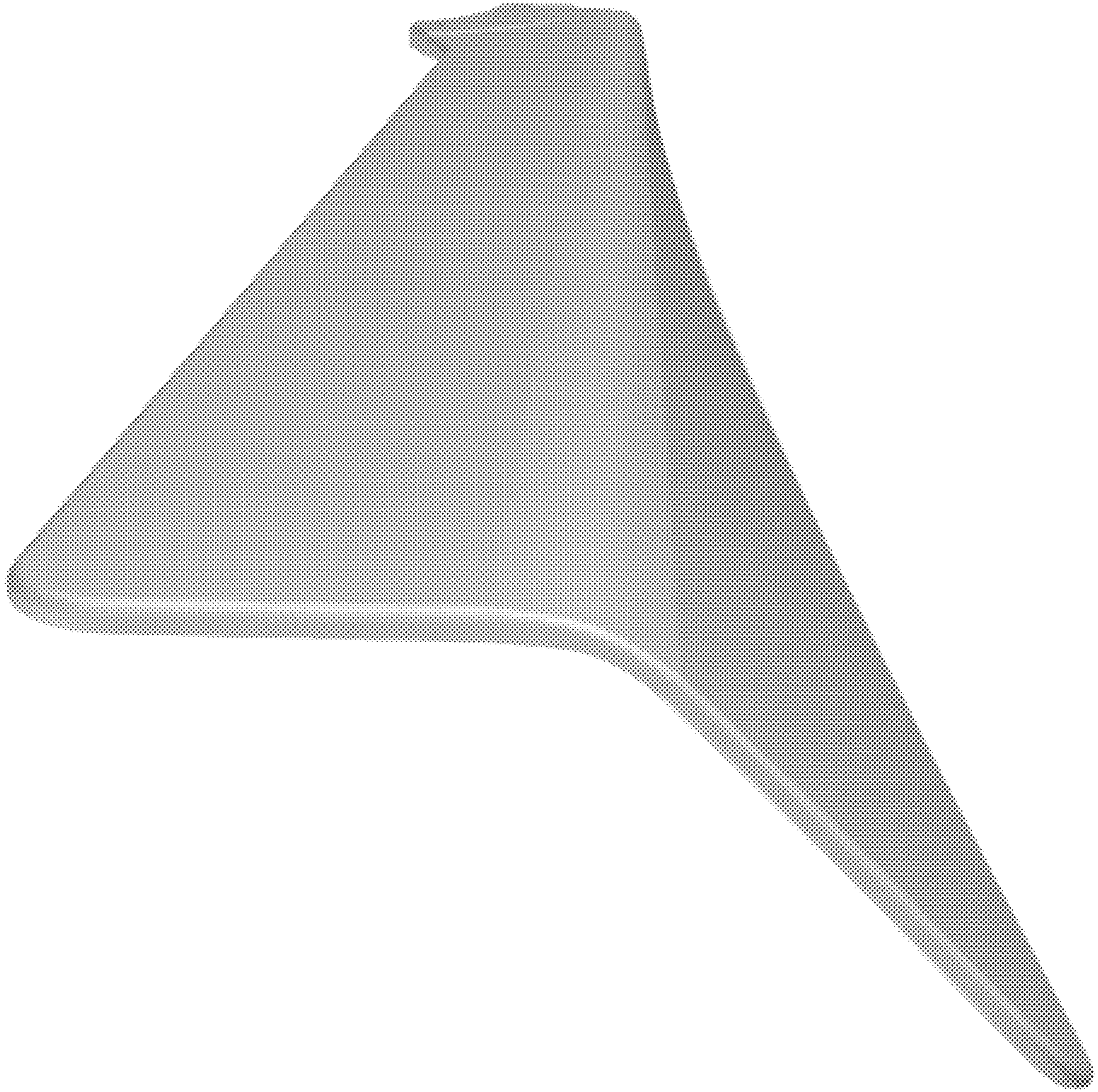


FIG 7



FIG 8

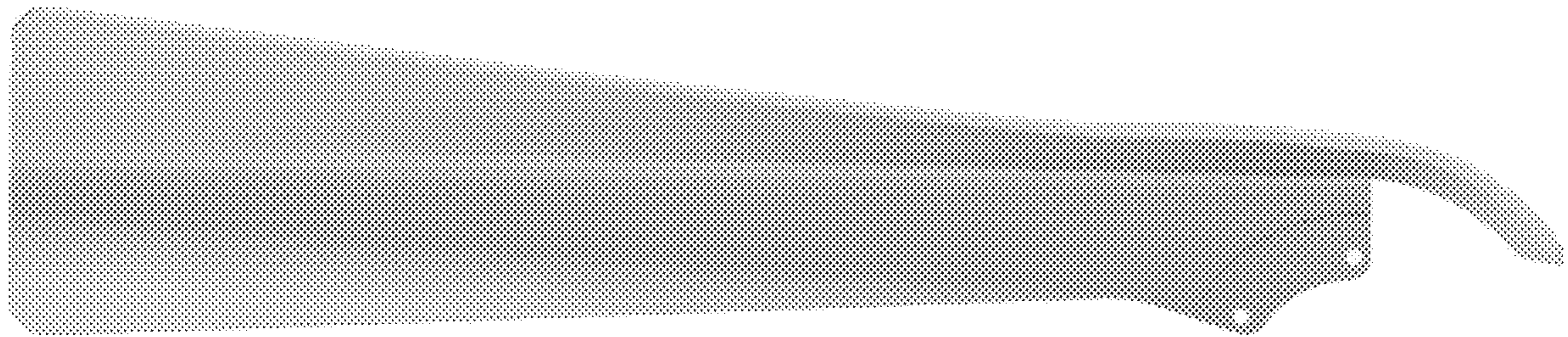


FIG 9

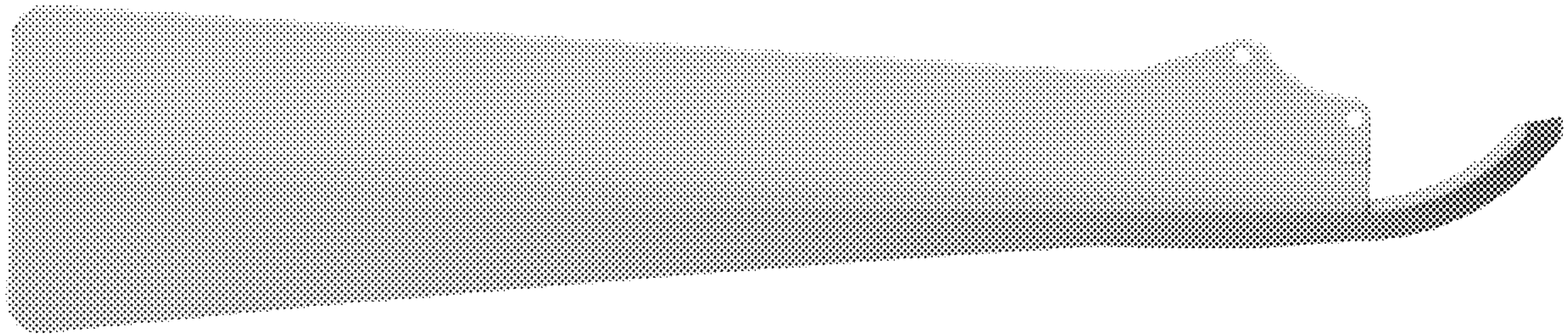


FIG 10