



US00D959639S

(12) **United States Design Patent** (10) **Patent No.:** **US D959,639 S**  
**Nakamura et al.** (45) **Date of Patent:** **\*\* Aug. 2, 2022**

(54) **AIR BLOWER**

(71) Applicant: **MAKITA CORPORATION**, Anjo (JP)

(72) Inventors: **Kento Nakamura**, Anjo (JP); **Shinsuke Naka**, Anjo (JP)

(73) Assignee: **MAKITA CORPORATION**, Anjo (JP)

(\*\*) Term: **15 Years**

(21) Appl. No.: **29/729,180**

(22) Filed: **Mar. 24, 2020**

(30) **Foreign Application Priority Data**

Sep. 25, 2019 (JP) ..... 2019-021395

(51) **LOC (13) Cl.** ..... **23-04**

(52) **U.S. Cl.**  
USPC ..... **D23/383**

(58) **Field of Classification Search**  
USPC ..... D23/370, 381, 382, 383, 386, 387, 393,  
D23/411, 412; D32/15  
CPC .. F04D 29/4226; F04D 29/281; F04D 29/441;  
F04D 25/06; F04D 25/08; F04D 25/082  
See application file for complete search history.

(56) **References Cited**

**U.S. PATENT DOCUMENTS**

3,809,504	A *	5/1974	Goossens	.....	F04D 25/084 415/206
D439,648	S *	3/2001	Jones	.....	D23/370
D480,844	S *	10/2003	Noma	.....	D32/15
D577,113	S *	9/2008	Tinius	.....	D23/383
D594,961	S *	6/2009	Tinius	.....	D23/383
D636,863	S *	4/2011	Isoda	.....	D23/370
8,671,508	B2 *	3/2014	Nagasaka	.....	A47L 5/14 15/327.5
D711,057	S *	8/2014	Crawley	.....	D15/12
D759,227	S *	6/2016	Lofy	.....	D23/370

D815,722	S *	4/2018	Muller	.....	D23/370
10,495,115	B2 *	12/2019	Takashima	.....	F04D 29/281
D906,510	S *	12/2020	Heli	.....	D23/370
D942,718	S *	2/2022	Wang	.....	D32/15
2008/0292455	A1 *	11/2008	Glore	.....	F04D 29/422 415/204

(Continued)

*Primary Examiner* — Sharon S Oum

(74) *Attorney, Agent, or Firm* — Global IP Counselors, LLP

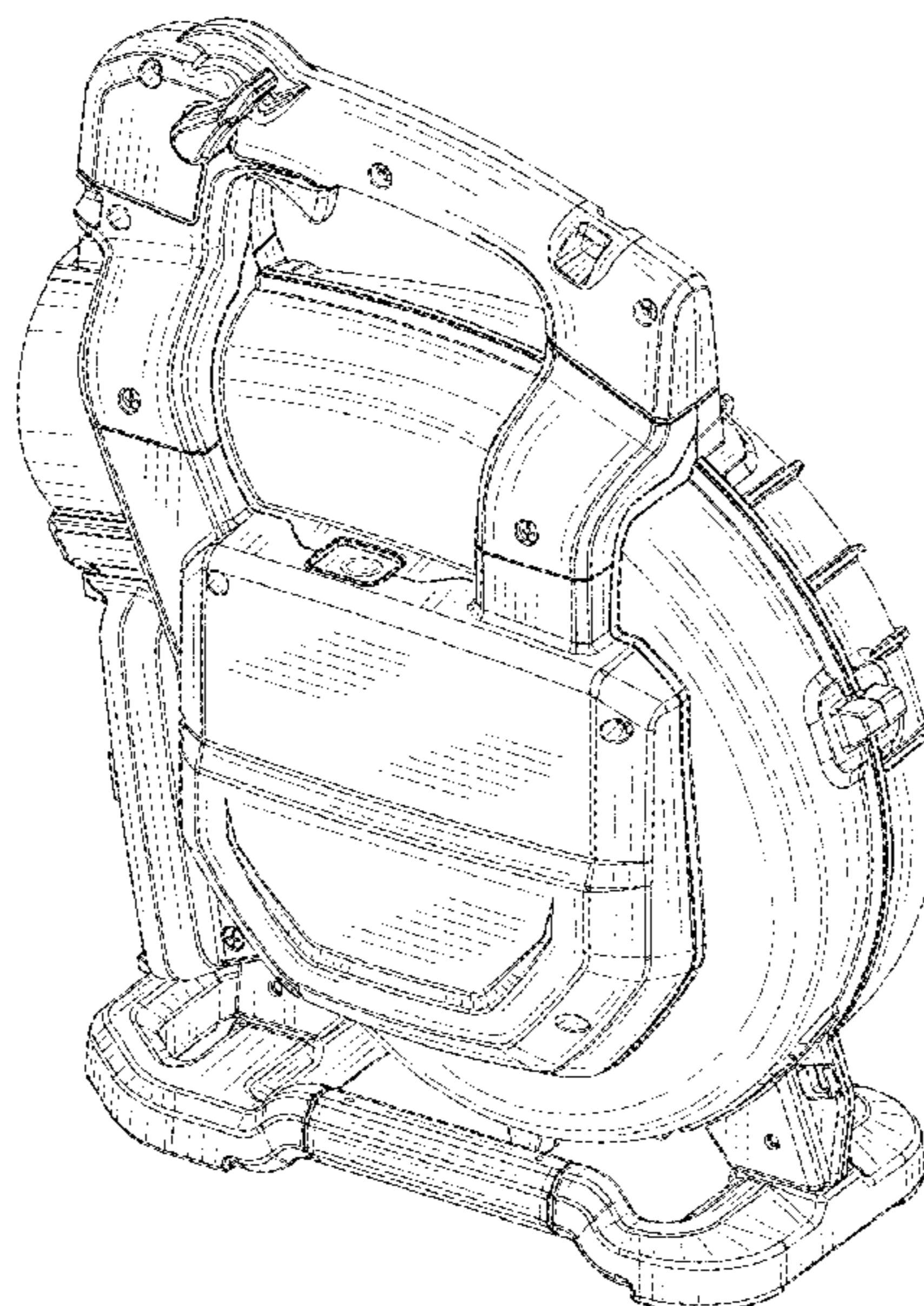
(57) **CLAIM**

The ornamental design for an air blower, as shown and described.

**DESCRIPTION**

FIG. 1 is a front perspective view of an air blower in accordance with our new design;  
 FIG. 2 is a rear perspective view of the air blower in accordance with our new design;  
 FIG. 3 is a front elevational view of the air blower in accordance with our new design;  
 FIG. 4 is a rear elevational view of the air blower in accordance with our new design;  
 FIG. 5 is a top plan view of the air blower in accordance with our new design;  
 FIG. 6 is a bottom plan view of the air blower in accordance with our new design;  
 FIG. 7 is a right side elevational view of the air blower in accordance with our new design;  
 FIG. 8 is a left side elevational view of the air blower in accordance with our new design; and,  
 FIG. 9 is a front perspective view of the air blower in accordance with our new design illustrating a state in which a nozzle and batteries are attached to the air blower.  
 The broken line showing of environmental structures in the drawings forms no part of the claimed design.

**1 Claim, 9 Drawing Sheets**



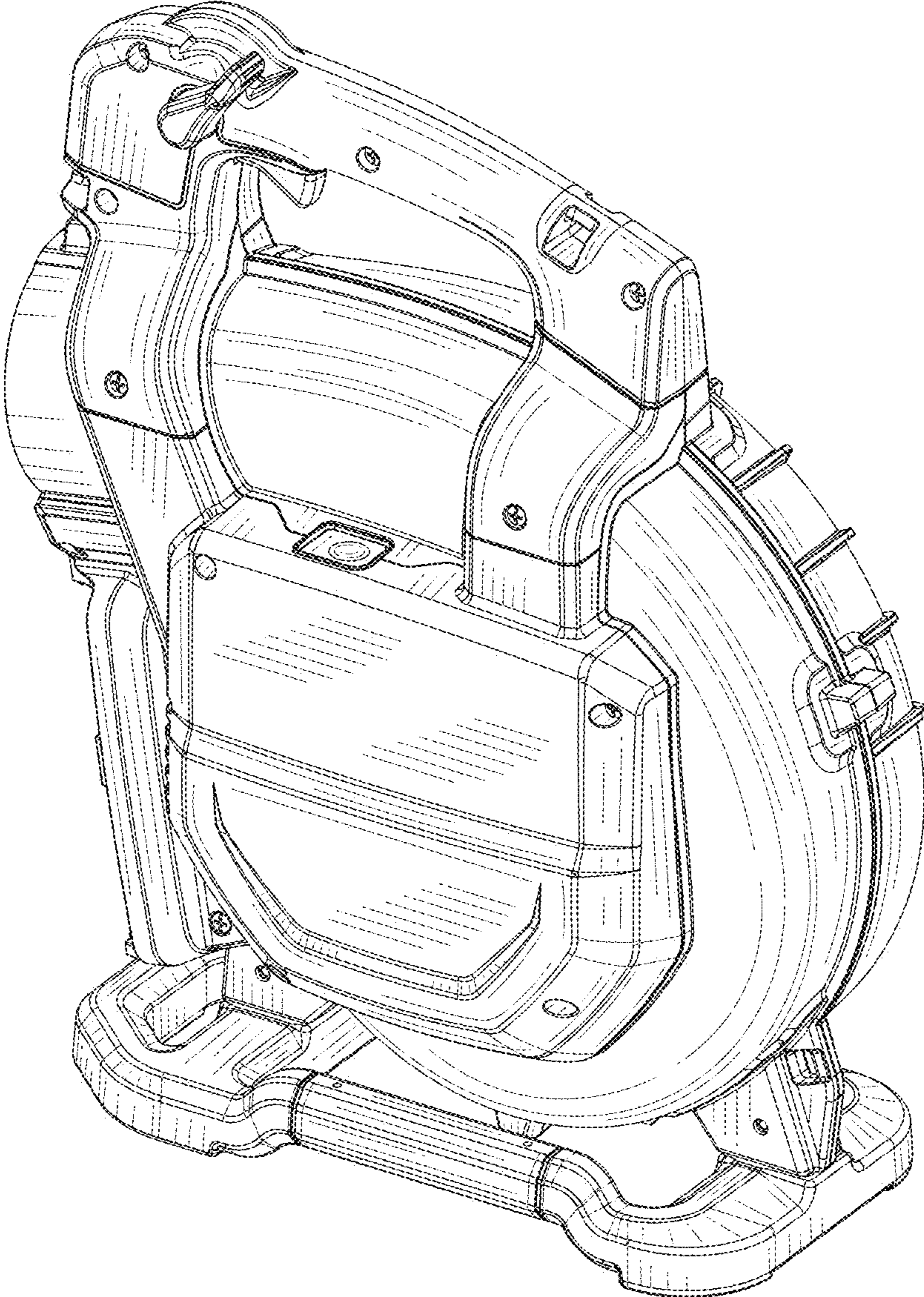
(56)

**References Cited**

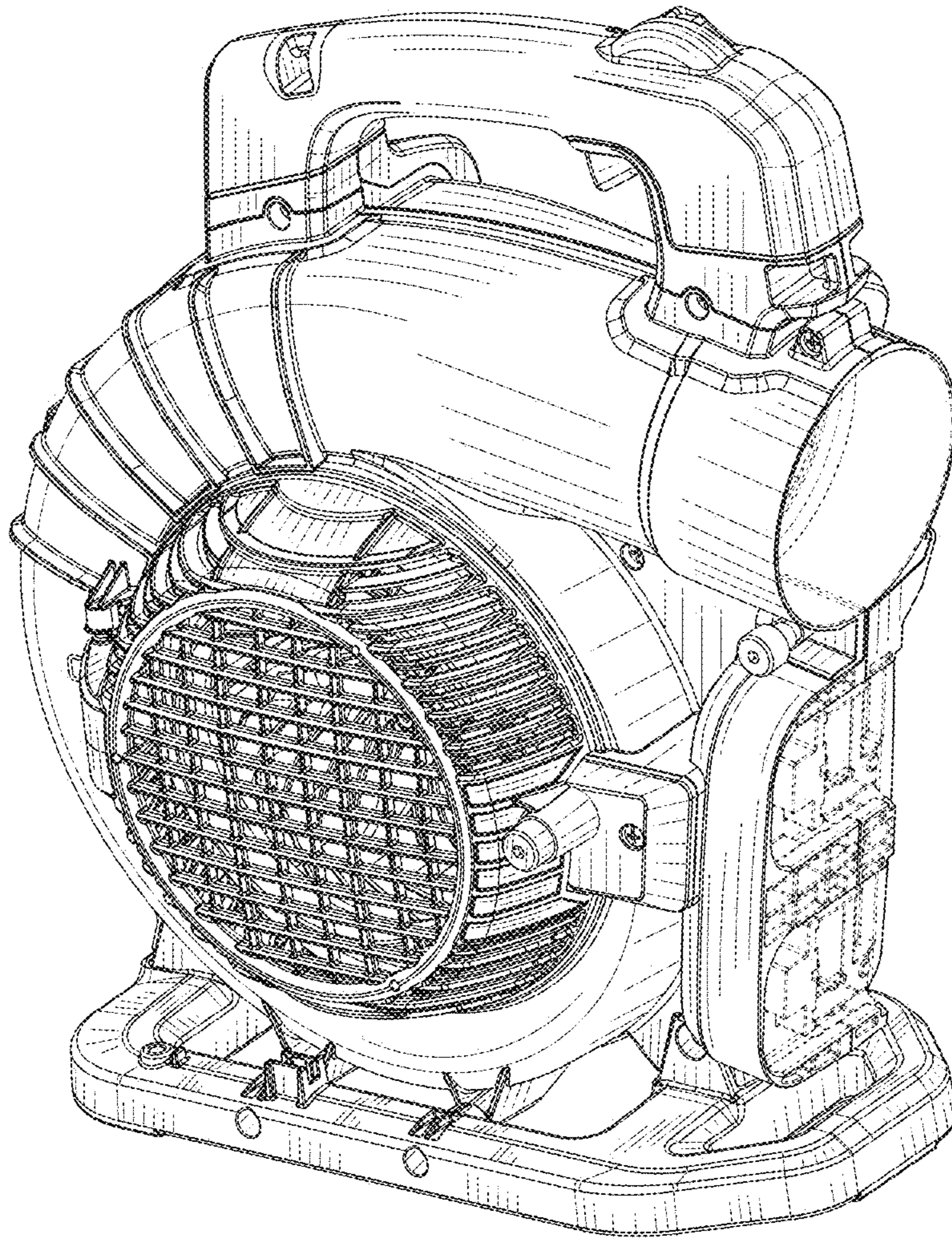
U.S. PATENT DOCUMENTS

2019/0113218 A1\* 4/2019 Wiegel ..... F04D 29/703  
2019/0301164 A1\* 10/2019 Naka ..... E04D 15/006  
2021/0088050 A1\* 3/2021 Naka ..... F04D 25/0673  
2021/0148372 A1\* 5/2021 Naka ..... F04D 27/004

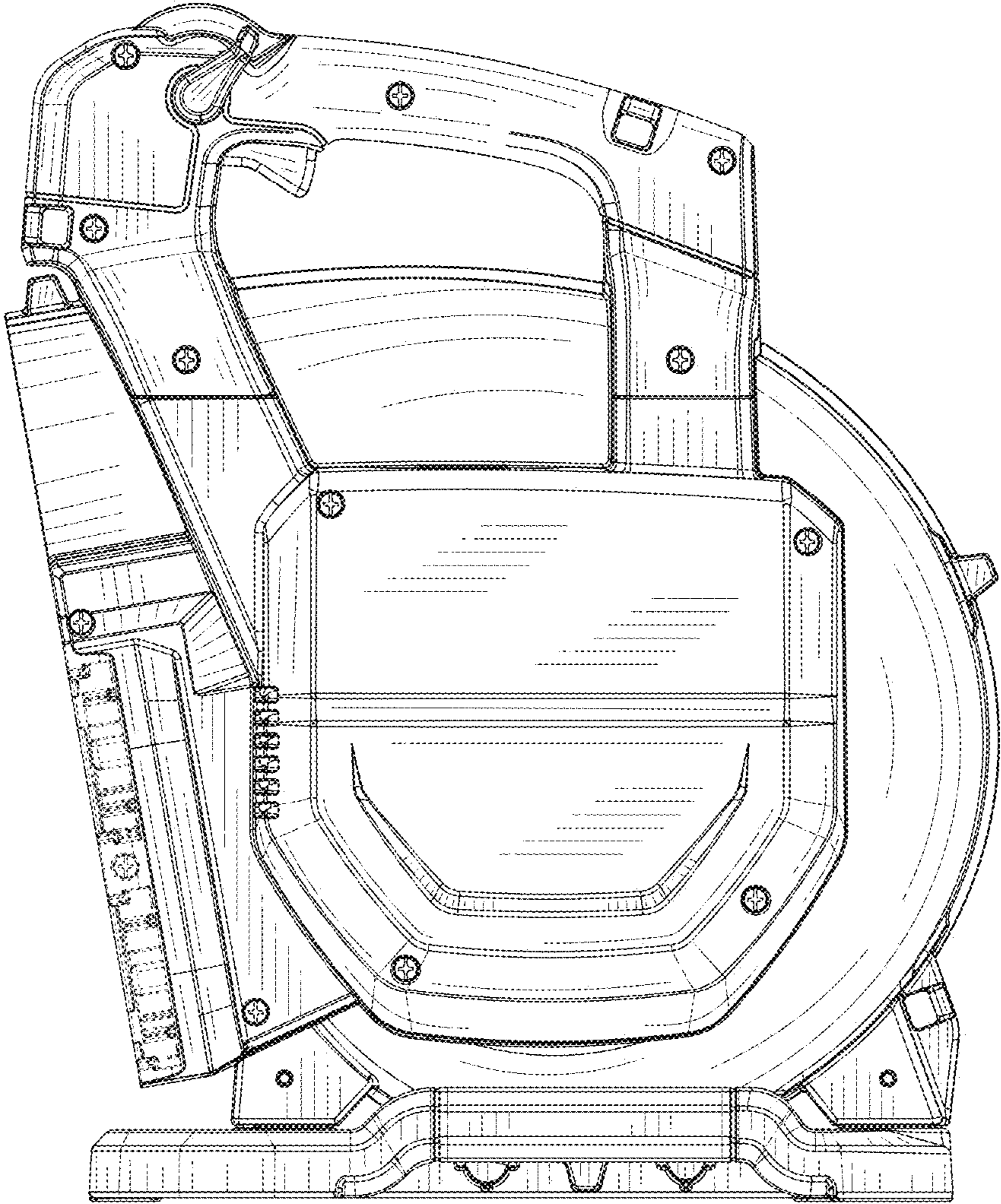
\* cited by examiner



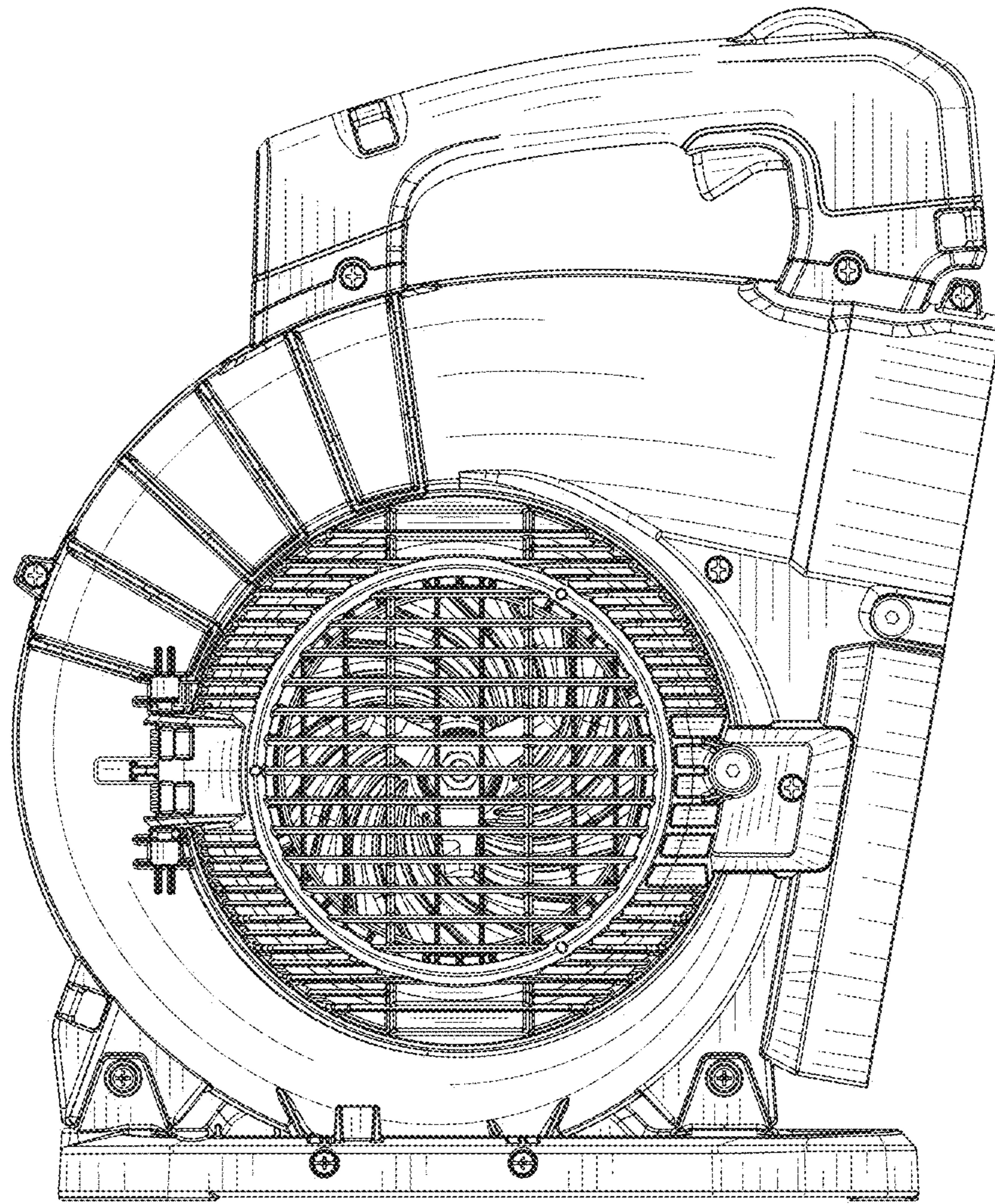
**FIG. 1**



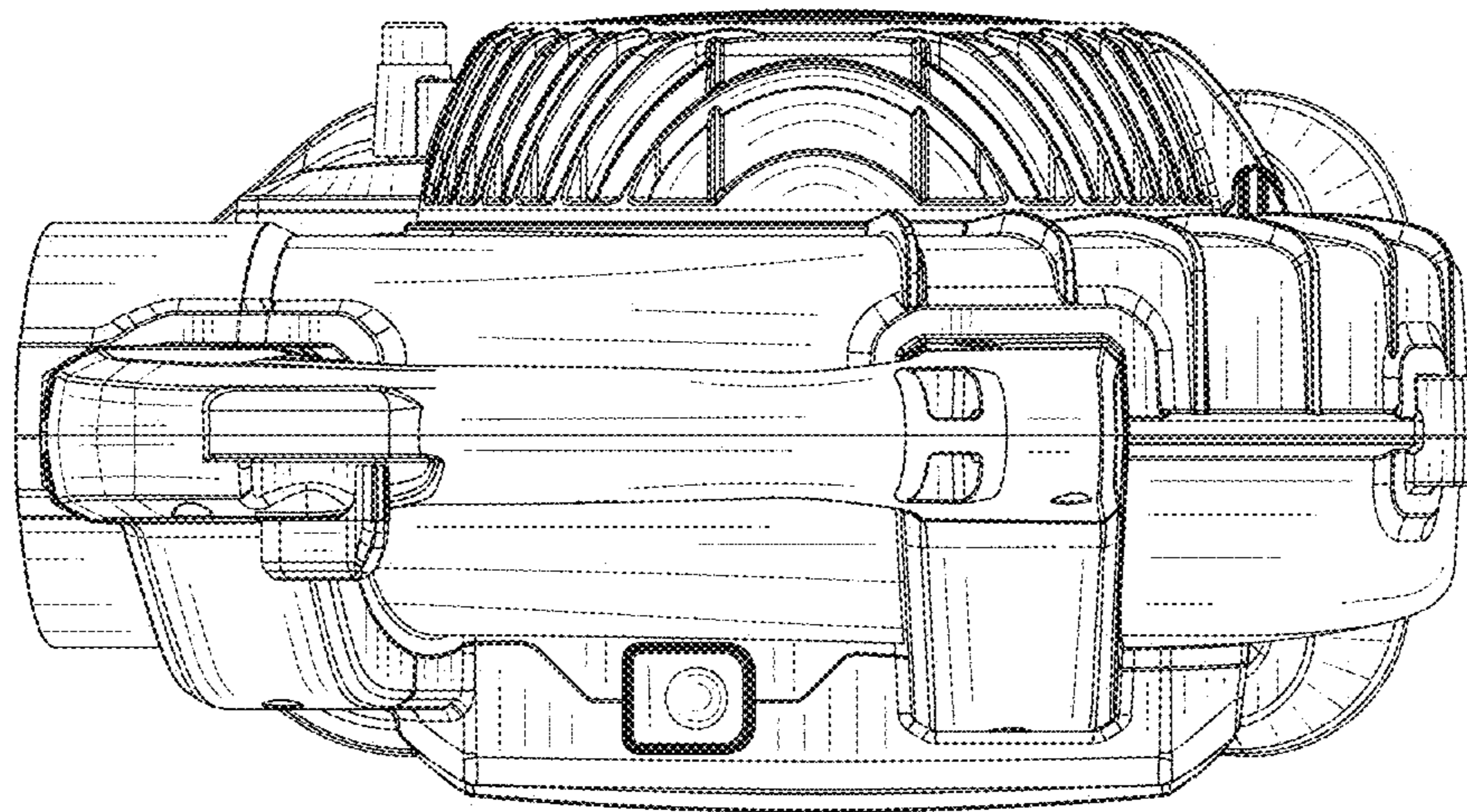
**FIG. 2**



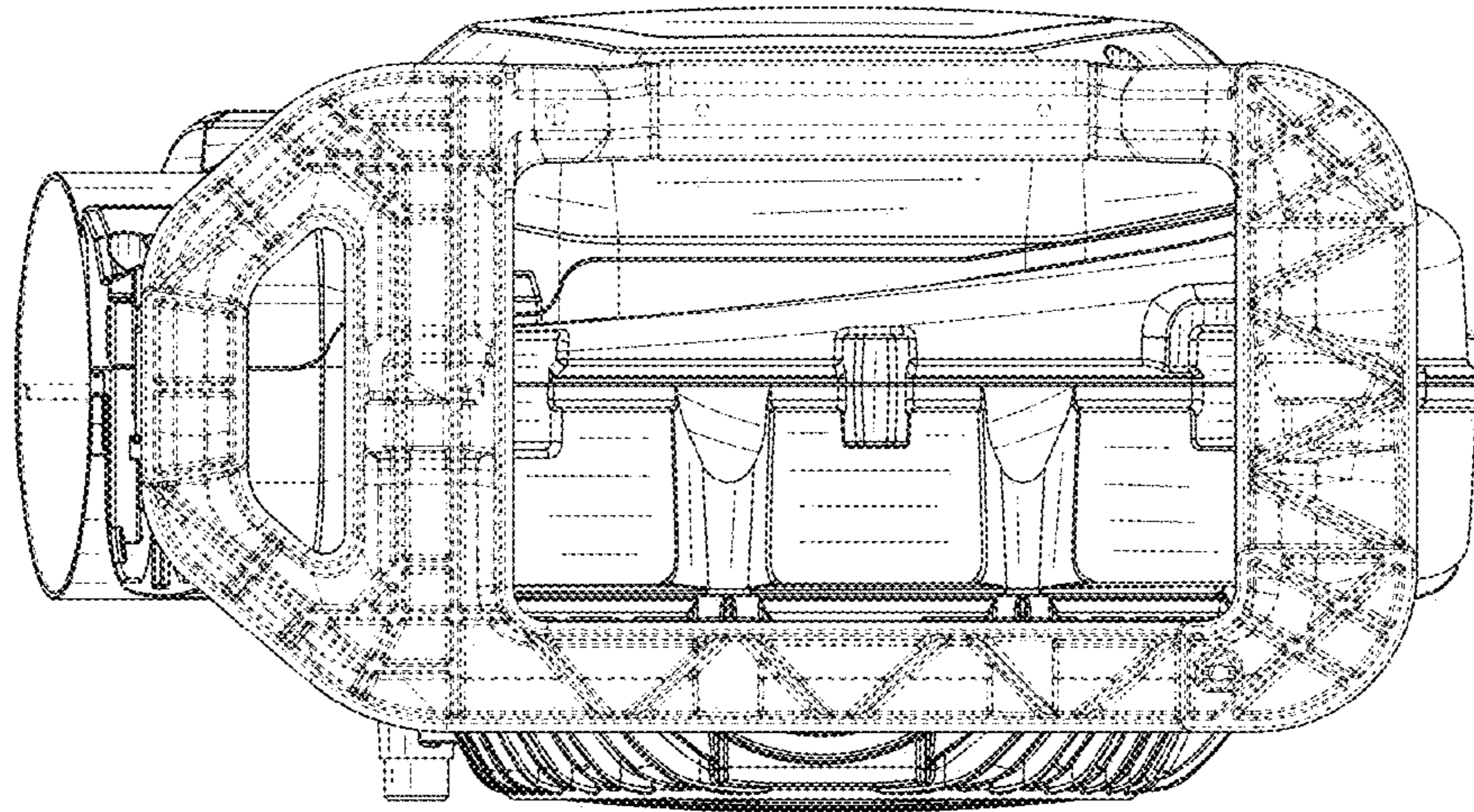
**FIG. 3**



**FIG. 4**

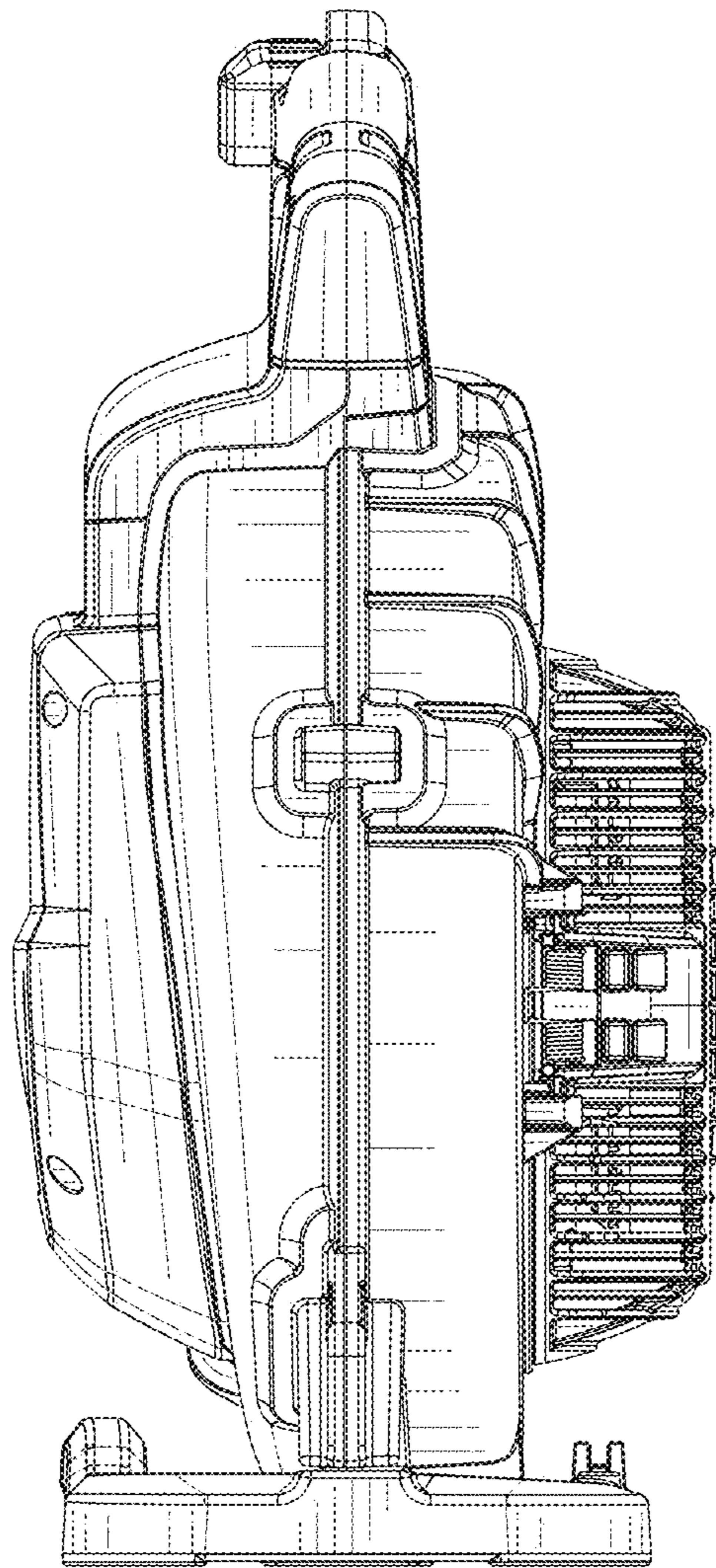


**FIG. 5**

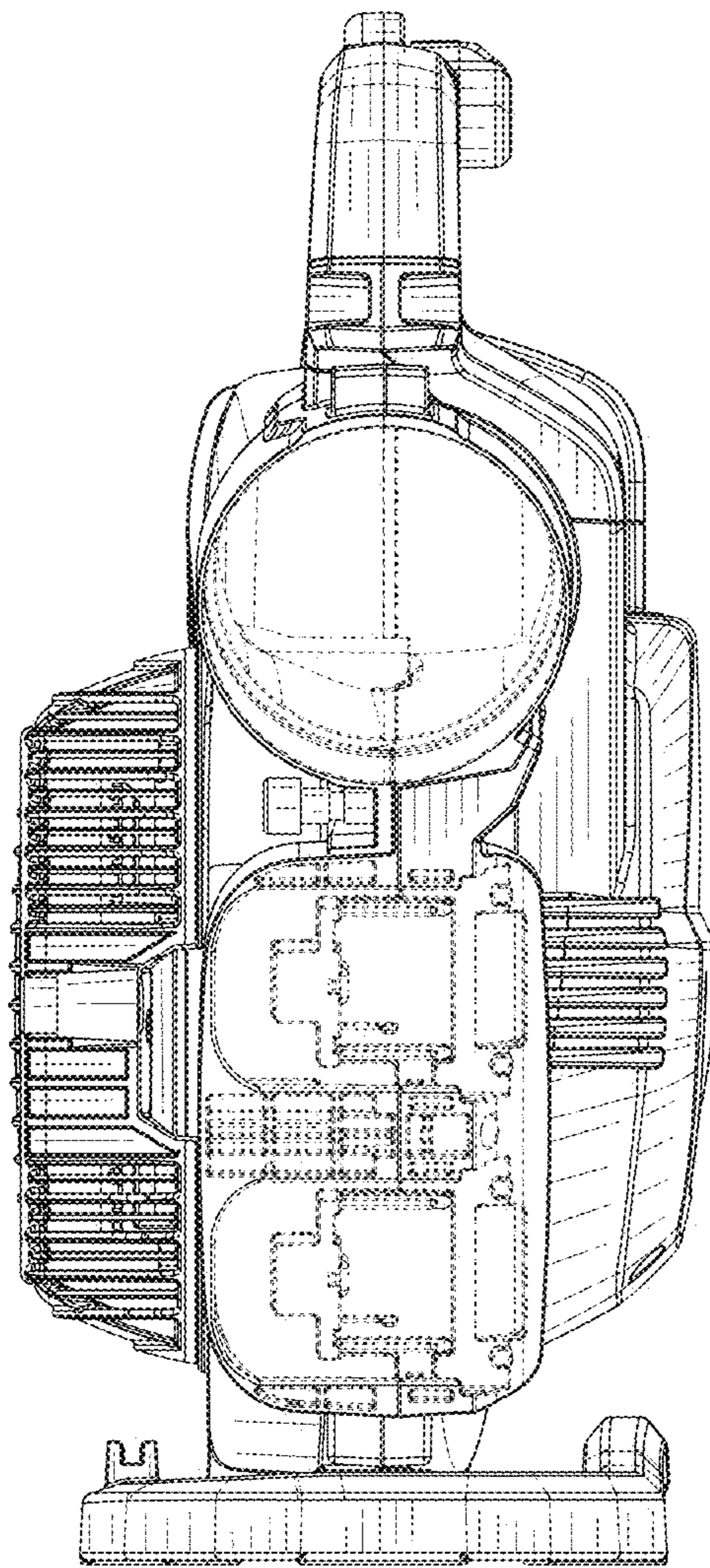


**FIG. 6**

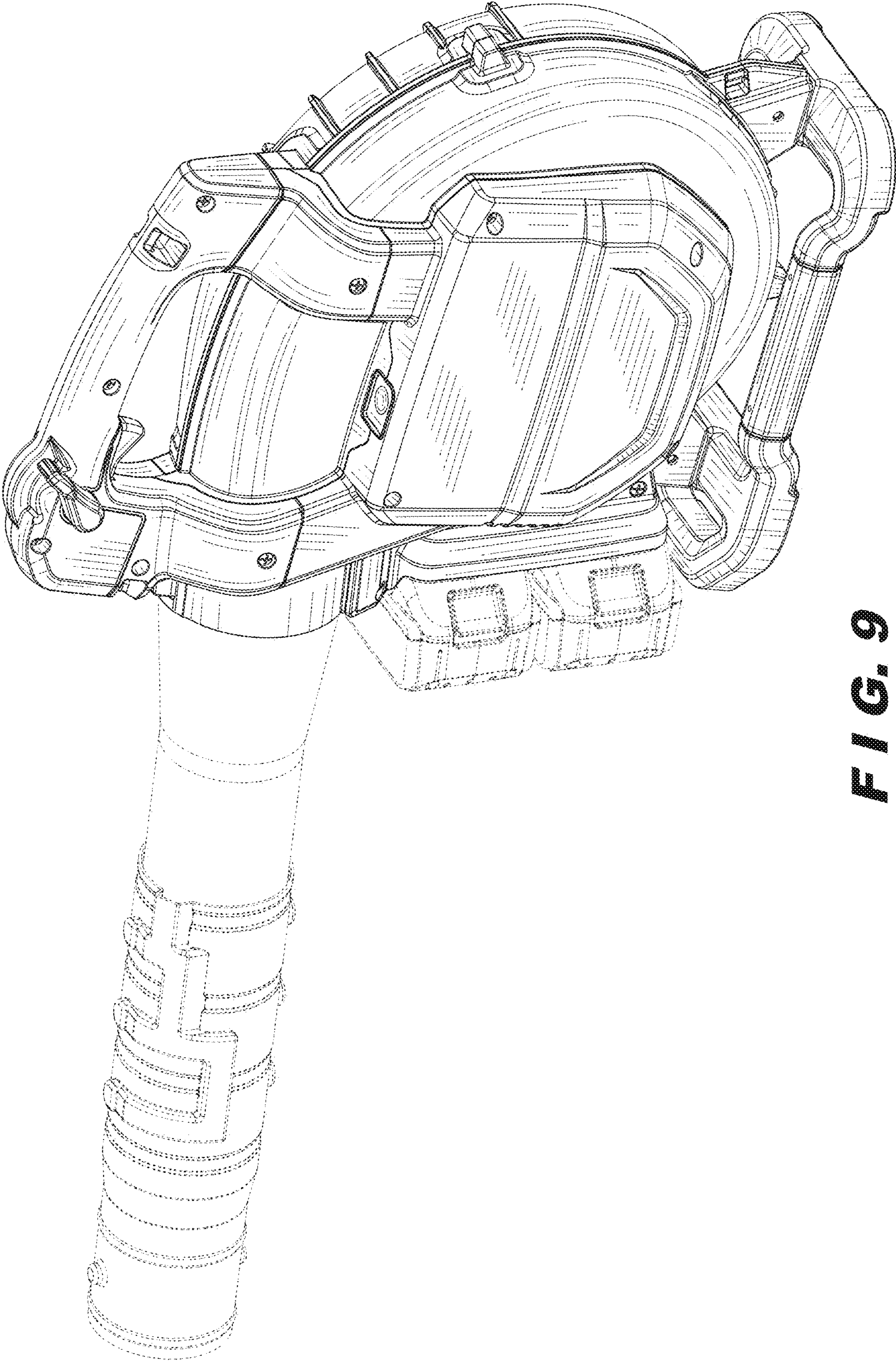




**FIG. 7**



**FIG. 8**



**FIG. 9**