



US00D959638S

(12) **United States Design Patent** (10) **Patent No.:** **US D959,638 S**
Ahn (45) **Date of Patent:** **** Aug. 2, 2022**

(54) **PORTABLE FAN**
(71) Applicant: **SPIGEN KOREA CO., LTD.**, Seoul (KR)
(72) Inventor: **Deok Hyun Ahn**, Seoul (KR)
(73) Assignee: **SPIGEN KOREA CO., LTD.**
(**) Term: **15 Years**
(21) Appl. No.: **29/684,731**
(22) Filed: **Mar. 22, 2019**
(51) **LOC (13) Cl.** **23-04**
(52) **U.S. Cl.**
USPC **D23/382**
(58) **Field of Classification Search**
USPC D23/382
CPC F04D 25/0673; F04D 25/08; F04D 25/084;
F04D 25/086
See application file for complete search history.

D825,048 S 8/2018 Breit et al.
D837,963 S * 1/2019 Xu D23/382
D841,796 S * 2/2019 Freeland D23/370
D865,937 S 11/2019 Lin
D879,283 S * 3/2020 Liao D23/382
(Continued)

OTHER PUBLICATIONS

“HandFan Small Portable Fan Battery Operated Handheld Fan Rechargeable with Anti Automatic Working Button & Built-in Bracket Personal USB Desk Fan Foldable for Travel Camping Outdoors Home Hot Flashes (Royal Blue)”, <https://www.amazon.com/Hand-Fan-Portable-Operated-Rechargeable-Automatic/dp/B07P42BBHW>, Earliest review date Aug. 5, 2017, Downloaded on Sep. 30, 2020.

(Continued)

Primary Examiner — Charles D Hanson
(74) *Attorney, Agent, or Firm* — Heedong Chae; Lucem, PC

(57) **CLAIM**

The ornamental design for a portable fan, as shown and described.

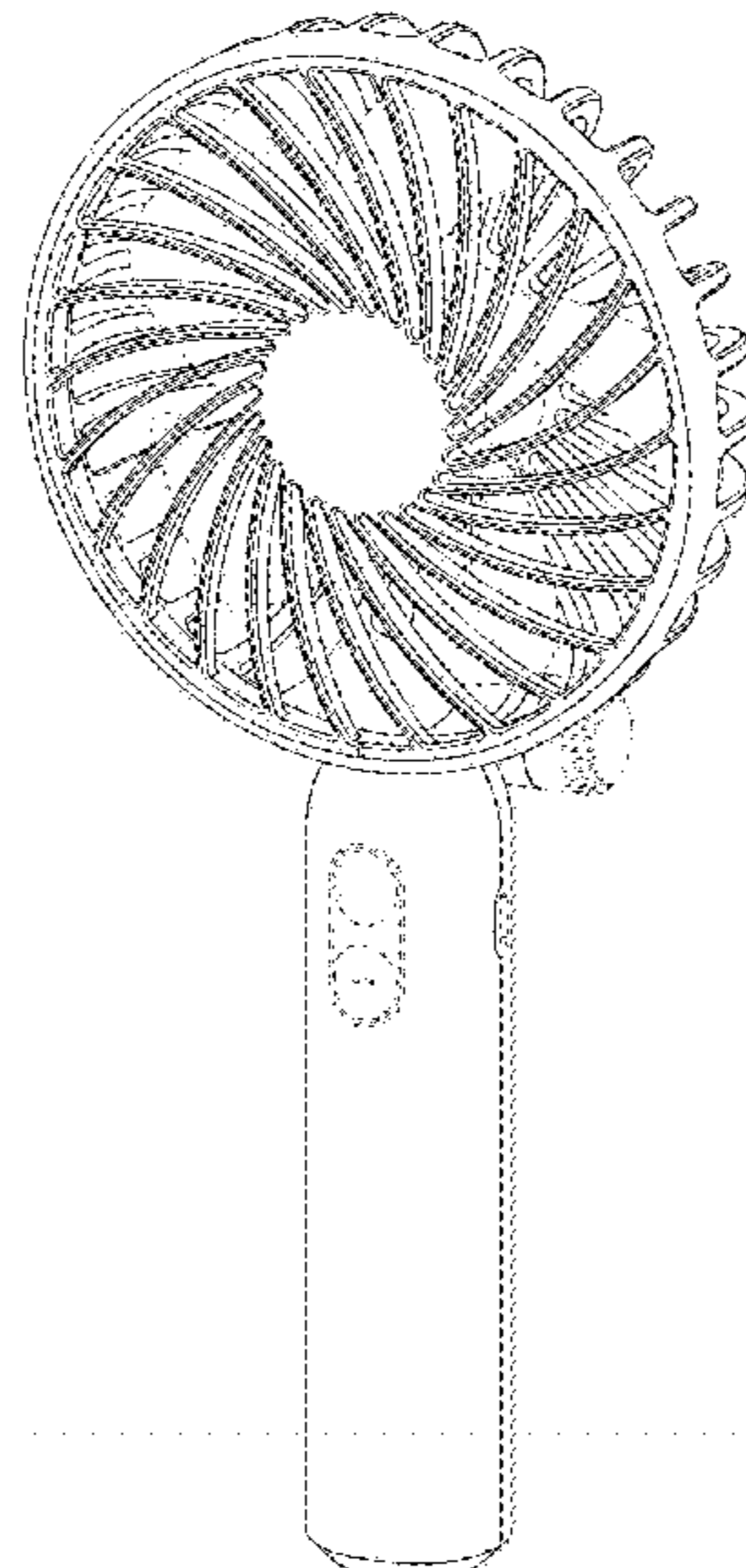
DESCRIPTION

FIG. 1 is a front perspective view of a portable fan showing my new design;
FIG. 2 is a rear perspective view thereof;
FIG. 3 is a front elevational view thereof;
FIG. 4 is a rear elevational view thereof;
FIG. 5 is a left side elevational view thereof;
FIG. 6 is a right side elevational view thereof;
FIG. 7 is a top plan view thereof;
FIG. 8 is a bottom plan view thereof; and,
FIG. 9 is another front perspective view thereof.
The broken lines depict portions of the portable fan that form no part of the claimed design.

1 Claim, 9 Drawing Sheets

(56) **References Cited**
U.S. PATENT DOCUMENTS

D295,070 S 4/1988 Shin-Chin
D327,945 S 7/1992 Chiang
D354,127 S 1/1995 Cuning
D374,071 S 9/1996 Wang et al.
D451,991 S 12/2001 Israel et al.
D459,796 S 7/2002 Moreno
D556,878 S 12/2007 Radtke et al.
D564,080 S 3/2008 Chen
D674,476 S * 1/2013 Junkel D23/370
D703,304 S 4/2014 Herbst
D703,308 S 4/2014 Peterson et al.
D733,281 S 6/2015 Herbst et al.
D733,282 S 6/2015 Peterson et al.
D767,747 S 9/2016 Wang
D777,899 S 1/2017 Wark
D799,022 S 10/2017 Ksiazek
D806,853 S 1/2018 Ho
D818,109 S 1/2018 Ho



(56)

References Cited

U.S. PATENT DOCUMENTS

| | | | | | |
|--------------|------|---------|-------------|-------|-----------------------|
| D902,373 | S * | 11/2020 | Xu | | D23/382 |
| D907,187 | S * | 1/2021 | Li | | D23/382 |
| D907,314 | S * | 1/2021 | Wiedenhoeft | | A01K 1/029 D30/199 |
| D923,773 | S * | 6/2021 | Wang | | D23/382 |
| D937,402 | S * | 11/2021 | Zhao | | D23/382 |
| D940,294 | S * | 1/2022 | Park | | D23/382 |
| D940,295 | S * | 1/2022 | Li | | D23/382 |
| D944,963 | S * | 3/2022 | Huang | | D23/382 |
| 2017/0045246 | A1 * | 2/2017 | Kaletka | | F24F 7/007 |
| 2019/0351360 | A1 * | 11/2019 | Plotkin | | F04D 25/0673 |
| 2020/0191152 | A1 * | 6/2020 | Toyoda | | A42B 3/285 |
| 2020/0282284 | A1 * | 9/2020 | Searcy | | A45B 27/00 |
| 2021/0079931 | A1 * | 3/2021 | Hu | | F04D 29/703 |

OTHER PUBLICATIONS

“OPOLAR Small Hand Held Battery Operated USB Fan, Personal Portable Rechargeable Fan with 2200mAh Battery and 3 Settings for Travel Home Office and Outdoor Use—White”, <https://www.amazon.com/OPOLAR-Operated-Personal-Portable-Rechargeable/dp/B07D59FLTD>, Earliest review date May 24, 2017, Downloaded on Sep. 30, 2020.

“FUNME Mini Handheld Fan, 3 Speed Adjustable Personal Portable Fan 2600mAh Rechargeable Battery Operated USB Table Fan cooling Foldable, Pink”, <https://www.amazon.com/Funme-Portable-Handheld-Foldable-Rechargeable/dp/B07FYHYGSR>, Earliest review date May 30, 2017, Downloaded on Sep. 30, 2020.

“Avantree Mini Hand held Fan, USB Rechargeable Battery Operated, Small Portable Hand Held Desk Fan”, <https://www.amazon.com/Avantree-Handheld-Rechargeable-Operated-Classroom/dp/B072K5K8NP>, Earliest review date Sep. 4, 2017, Downloaded on Sep. 30, 2020.

“Stylepie Portable Outdoor Cooling Fan, Pocket Mini Battery Operated Hand held Fan—3 Speeds, Small USB Rechargeable AC Personal Fan for Stroller Women Travel Camping School Office Grapefruit Orange”, <https://www.amazon.com/Stylepie-Portable-Operated-Rechargeable-Grapefruit/dp/B07CHLWBYD>, Earliest review date Jun. 18, 2018, Downloaded on Sep. 30, 2020.

“D-FantiX Small Portable Fan Battery Operated Personal Fan Mini USB Rechargeable Hand held Fan for Home, Travel, Bedroom and Office (Black)”, <https://www.amazon.com/D-FantiX-Portable-Operated-Personal-Rechargeable/dp/B01DNB06JC>, Earliest review date Jan. 21, 2017, Downloaded on Sep. 30, 2020.

“Swiss Crafts 2 Set of Portable Mini Handheld Fan, USB Rechargeable Personal Fan with Base, 3 Step Speed, 5 Blades”, <https://www.amazon.com/Swiss-Crafts-Portable-Rechargeable-Compatibility/dp/B07D973VMD>, Earliest review date Oct. 14, 2018, Downloaded on Sep. 30, 2020.

* cited by examiner

FIG. 1

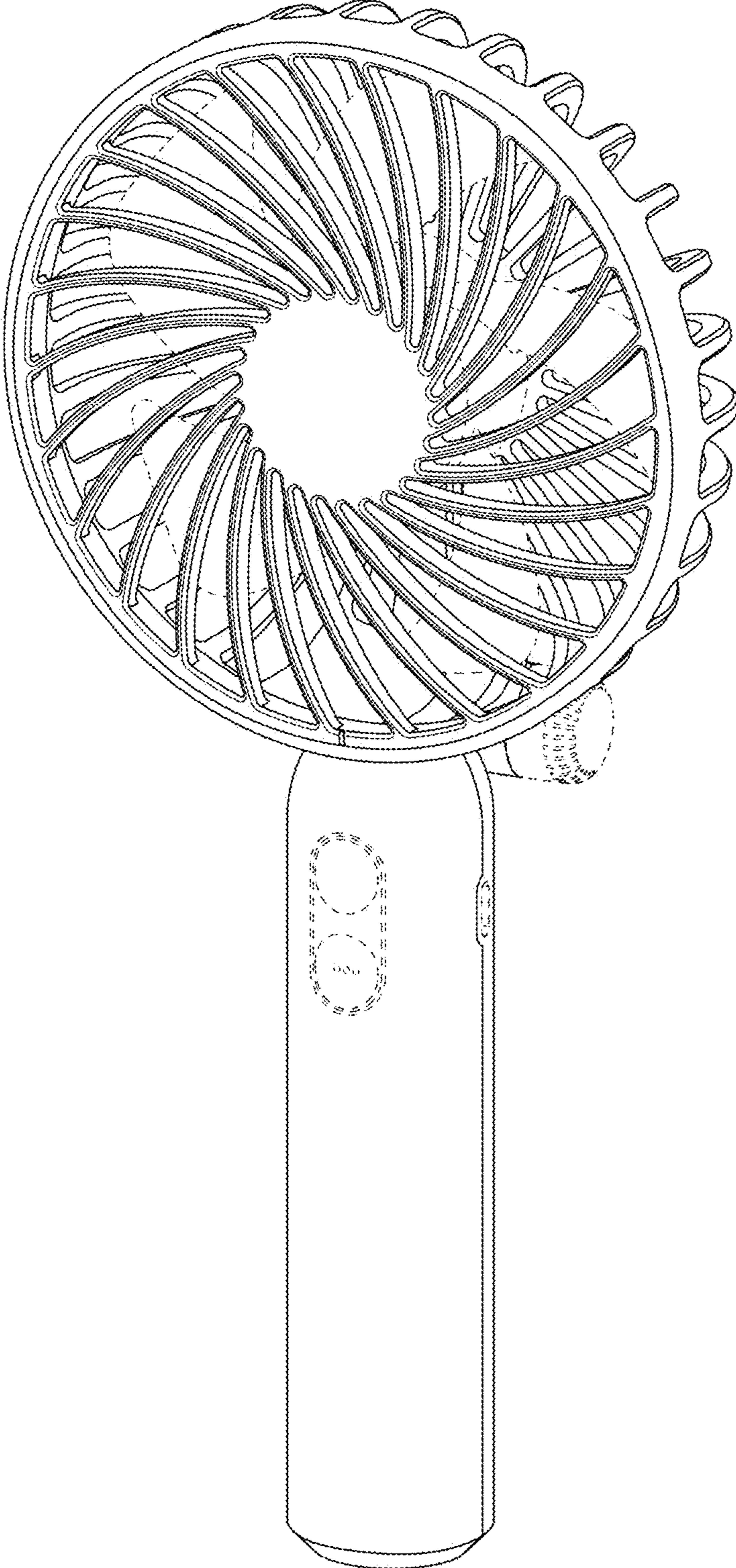


FIG. 2

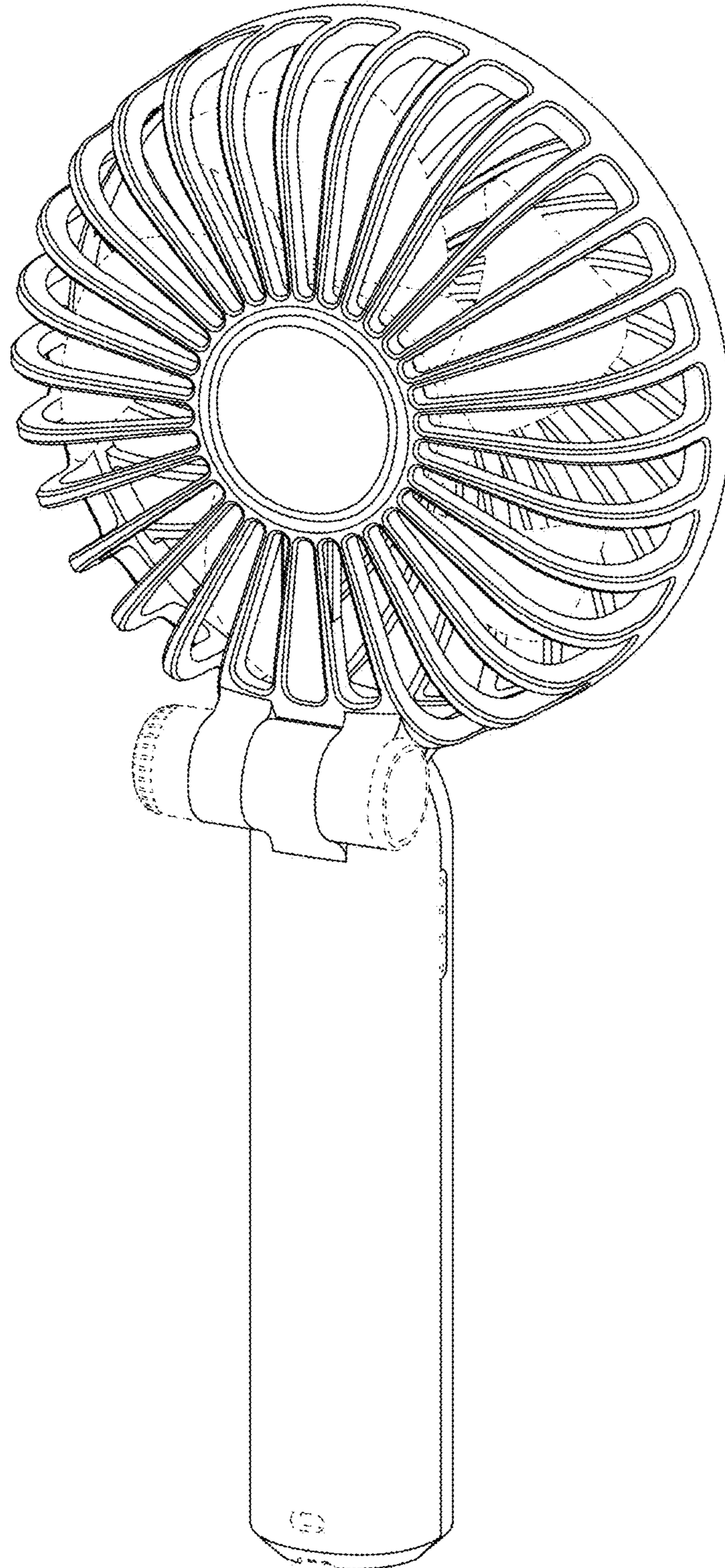


FIG. 3

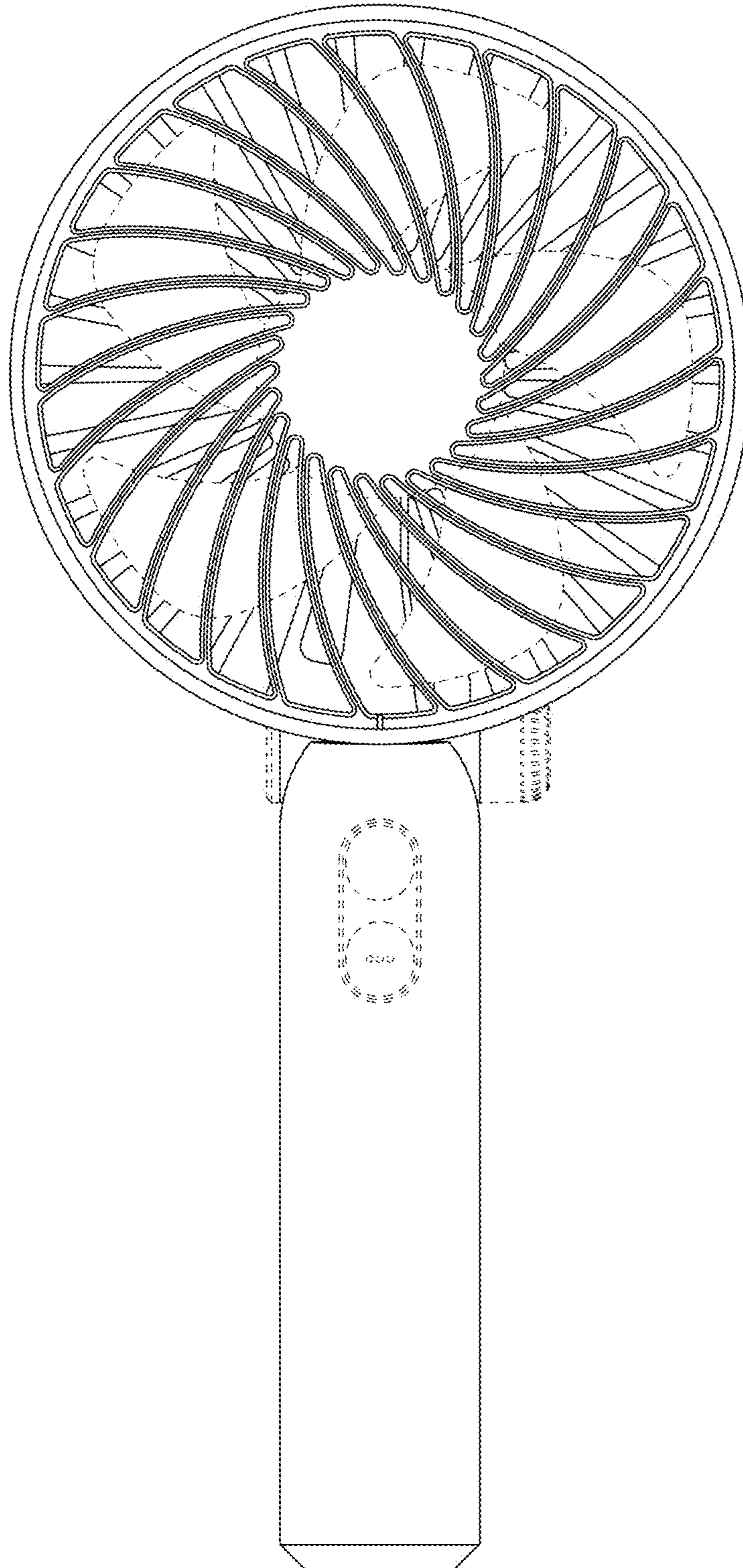


FIG. 4

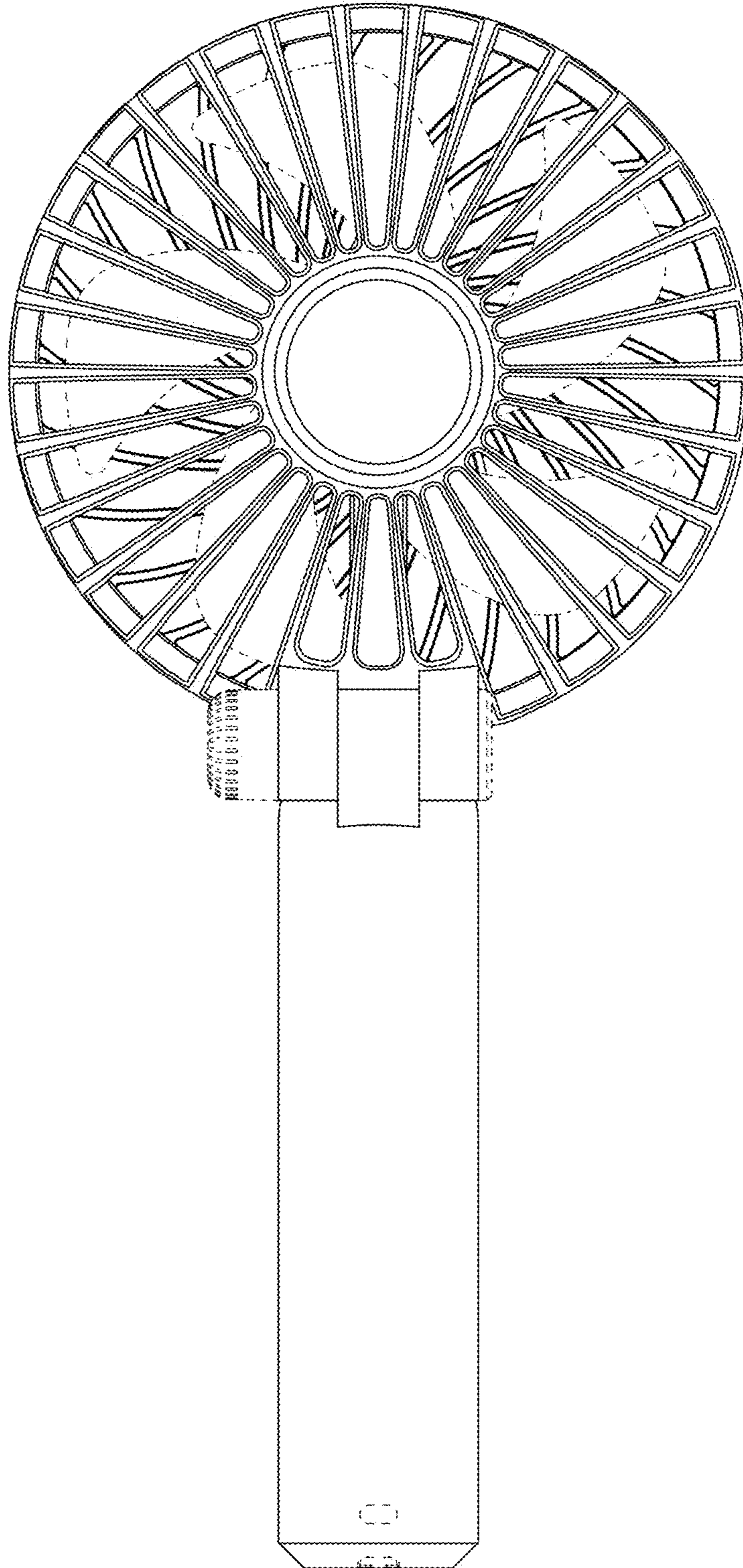


FIG. 5

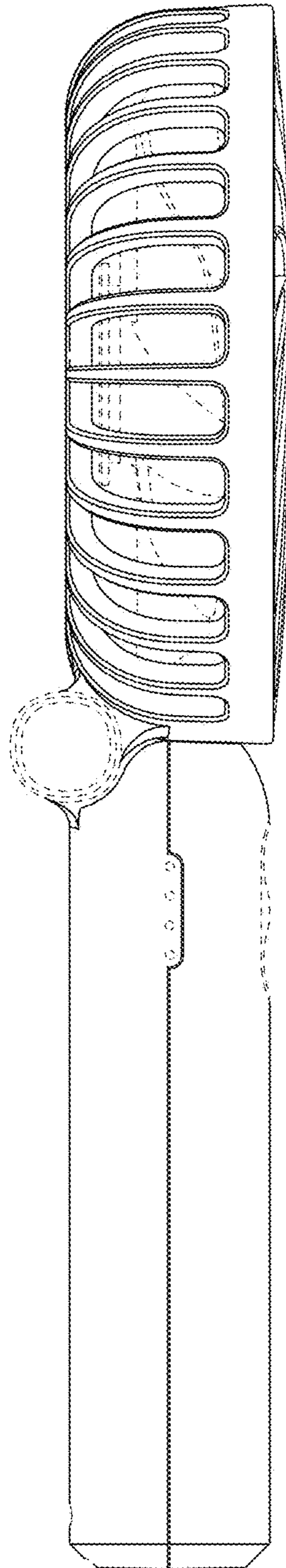


FIG. 6

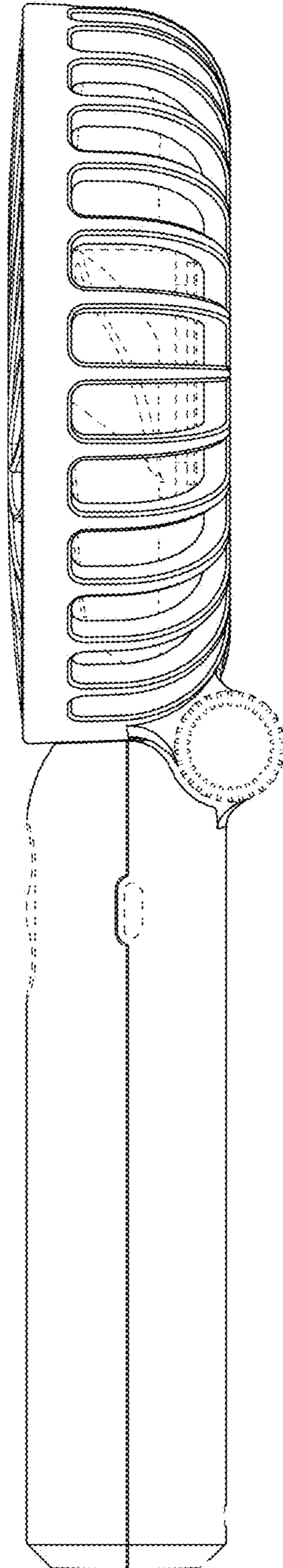


FIG. 7

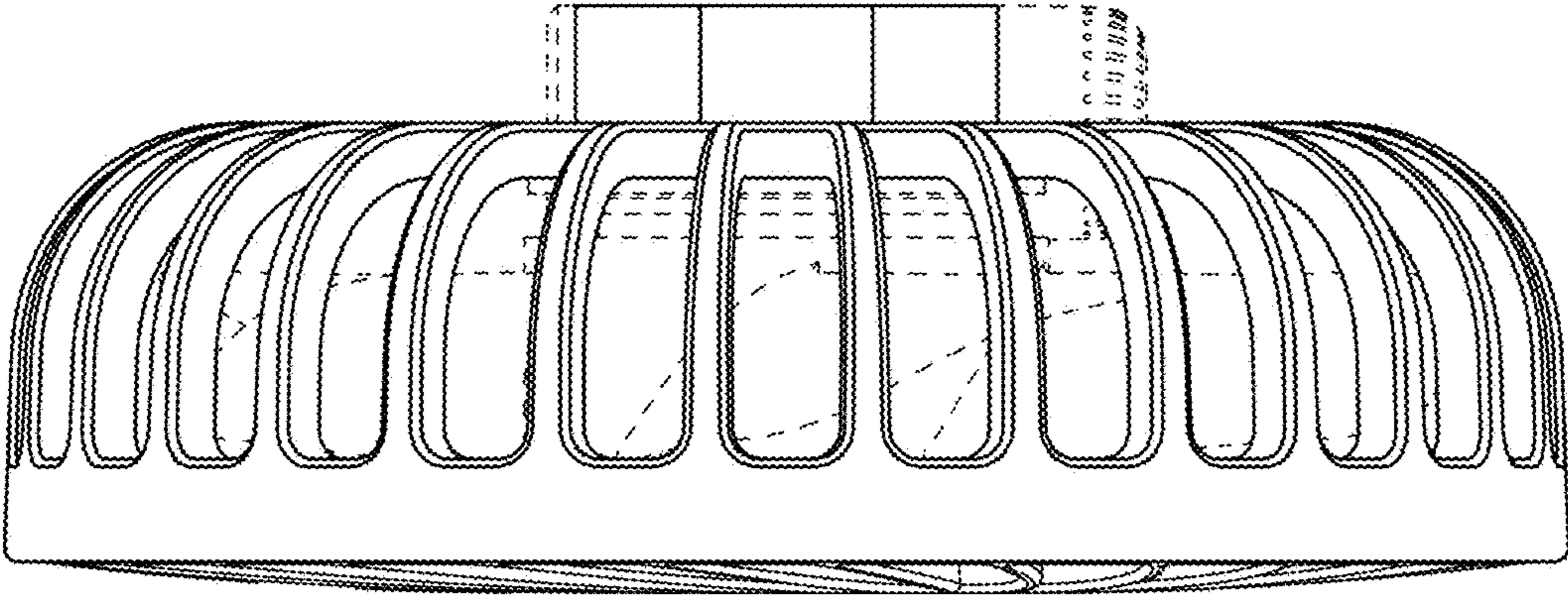


FIG. 8

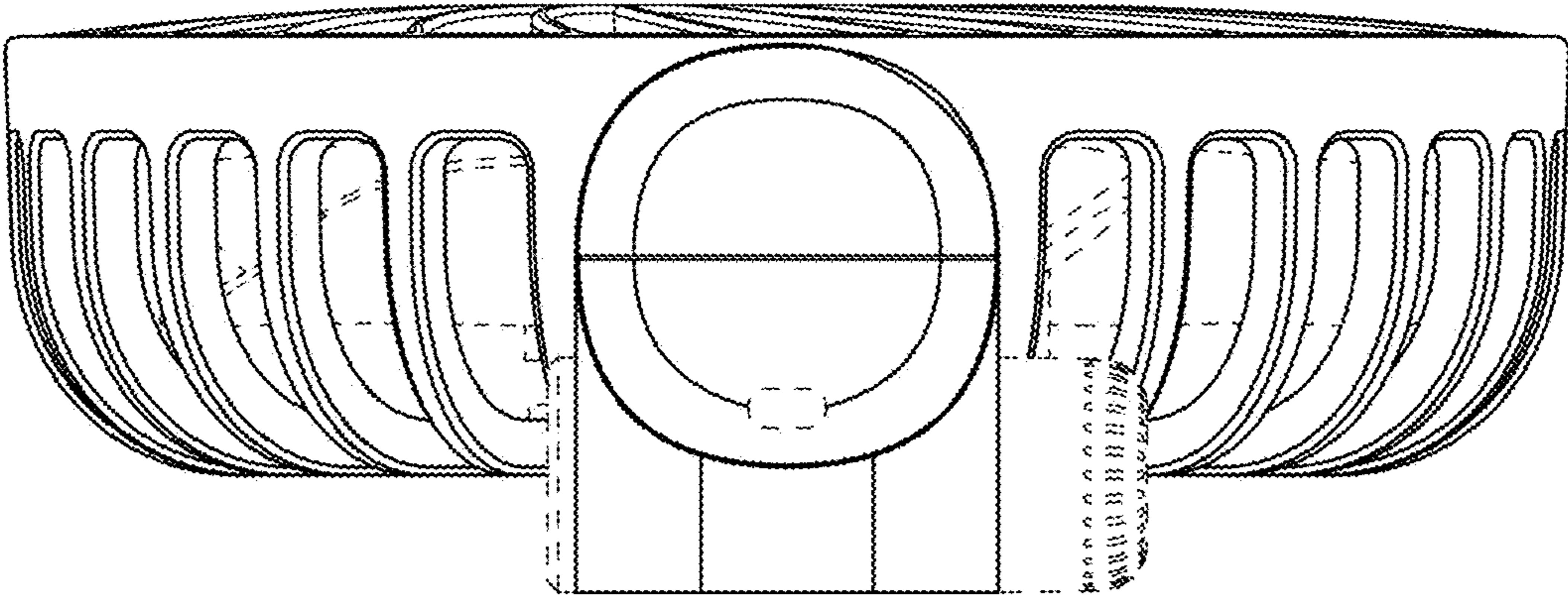


FIG. 9

