



US00D959637S

(12) **United States Design Patent**
Zhang

(10) **Patent No.:** **US D959,637 S**

(45) **Date of Patent:** **** Aug. 2, 2022**

(54) **NECK FAN**

(71) Applicant: **SHENZHEN JINGNUO TECHNOLOGY CO., LTD.**, Shenzhen (CN)

(72) Inventor: **Xiaomeng Zhang**, Shenzhen (CN)

(73) Assignee: **SHENZHEN JINGNUO TECHNOLOGY CO., LTD.**, Shenzhen (CN)

(**) Term: **15 Years**

(21) Appl. No.: **29/829,931**

(22) Filed: **Mar. 9, 2022**

(51) **LOC (13) Cl.** **23-04**

(52) **U.S. Cl.**
USPC **D23/380**

(58) **Field of Classification Search**
USPC D23/370, 380, 332, 333, 411; D24/206
CPC ... A41D 13/0025; A62B 17/005; F04D 25/08;
F04D 25/0673
See application file for complete search history.

(56) **References Cited**

U.S. PATENT DOCUMENTS

5,802,865	A *	9/1998	Strauss	A61F 7/10 62/259.3
D442,269	S *	5/2001	Pinchuk	D23/351
D455,481	S *	4/2002	Christianson	D23/351
D457,945	S *	5/2002	Pinchuk	D23/351
D676,139	S *	2/2013	Golzari	D6/601
D884,201	S *	5/2020	Fang	D24/206
D890,354	S *	7/2020	Fang	D24/206
D903,086	S *	11/2020	Liu	D23/370
D920,497	S *	5/2021	Li	D23/370
D925,028	S	7/2021	Song		

D928,932	S *	8/2021	Li	D23/370
D933,803	S	10/2021	He		
D936,819	S *	11/2021	Zhang	D23/380
D936,820	S *	11/2021	Yuan	D23/380
D943,067	S *	2/2022	Fan	D23/270
D944,953	S *	3/2022	Xu	D23/380
D950,702	S *	5/2022	Zhu	D23/380
D951,423	S *	5/2022	Zhou	D23/380
2018/0064574	A1 *	3/2018	Adair	A61F 7/02
2020/0187574	A1 *	6/2020	Te Hsiang	A41D 13/0053
2021/0355960	A1 *	11/2021	Liu	F04D 25/084
2021/0368872	A1 *	12/2021	Lee	F04D 25/084
2022/0106963	A1 *	4/2022	Li	F04D 29/4246

* cited by examiner

Primary Examiner — Janice Hallmark

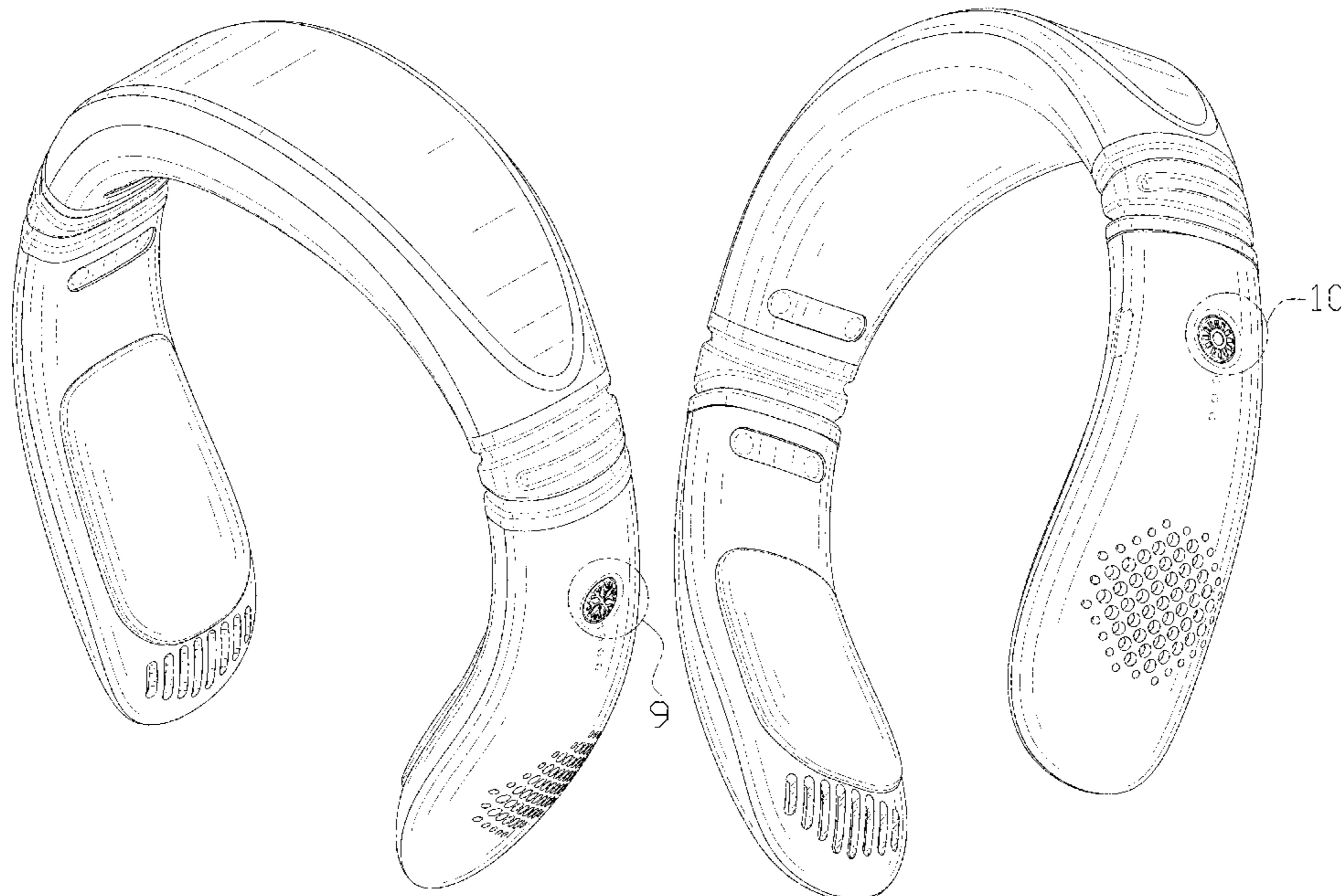
(57) **CLAIM**

The ornamental design for a neck fan, as shown and described.

DESCRIPTION

FIG. 1 is a perspective view of a neck fan showing my new design;
 FIG. 2 is another perspective view thereof;
 FIG. 3 is a front elevational view thereof;
 FIG. 4 is a rear elevational view thereof;
 FIG. 5 is a left side elevational view thereof;
 FIG. 6 is a right side elevational view thereof;
 FIG. 7 is a top plan view thereof;
 FIG. 8 is a bottom plan view thereof;
 FIG. 9 is an enlarged view of portion 9 shown in FIG. 1; and,
 FIG. 10 is an enlarged view of portion 10 shown in FIG. 2.
 The dash-dash broken lines in the drawings depict portions of the neck fan that form no part of the claimed design. The dot-dash broken lines represent boundaries of the enlarged portions and form no part of the claimed design.

1 Claim, 10 Drawing Sheets



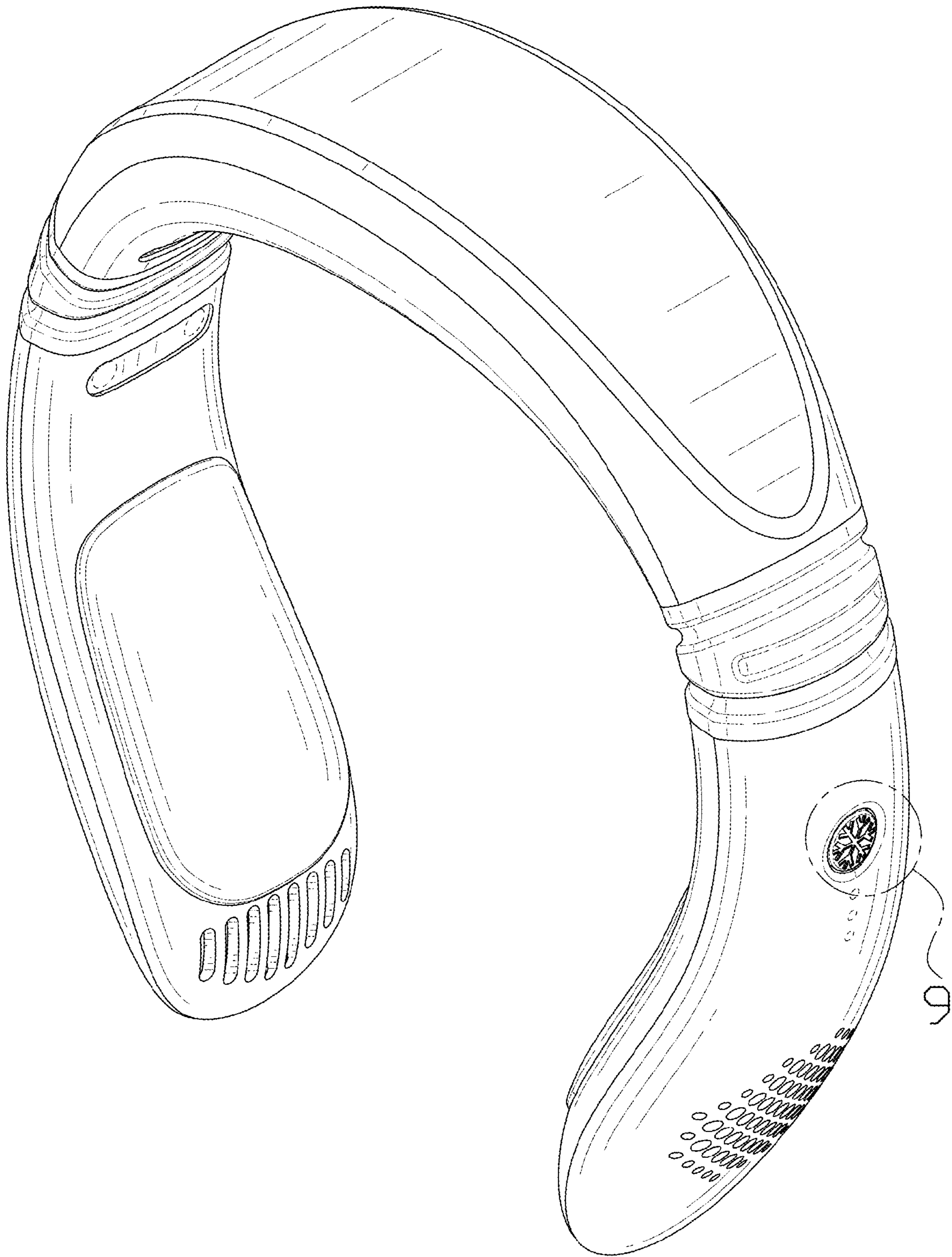


FIG. 1

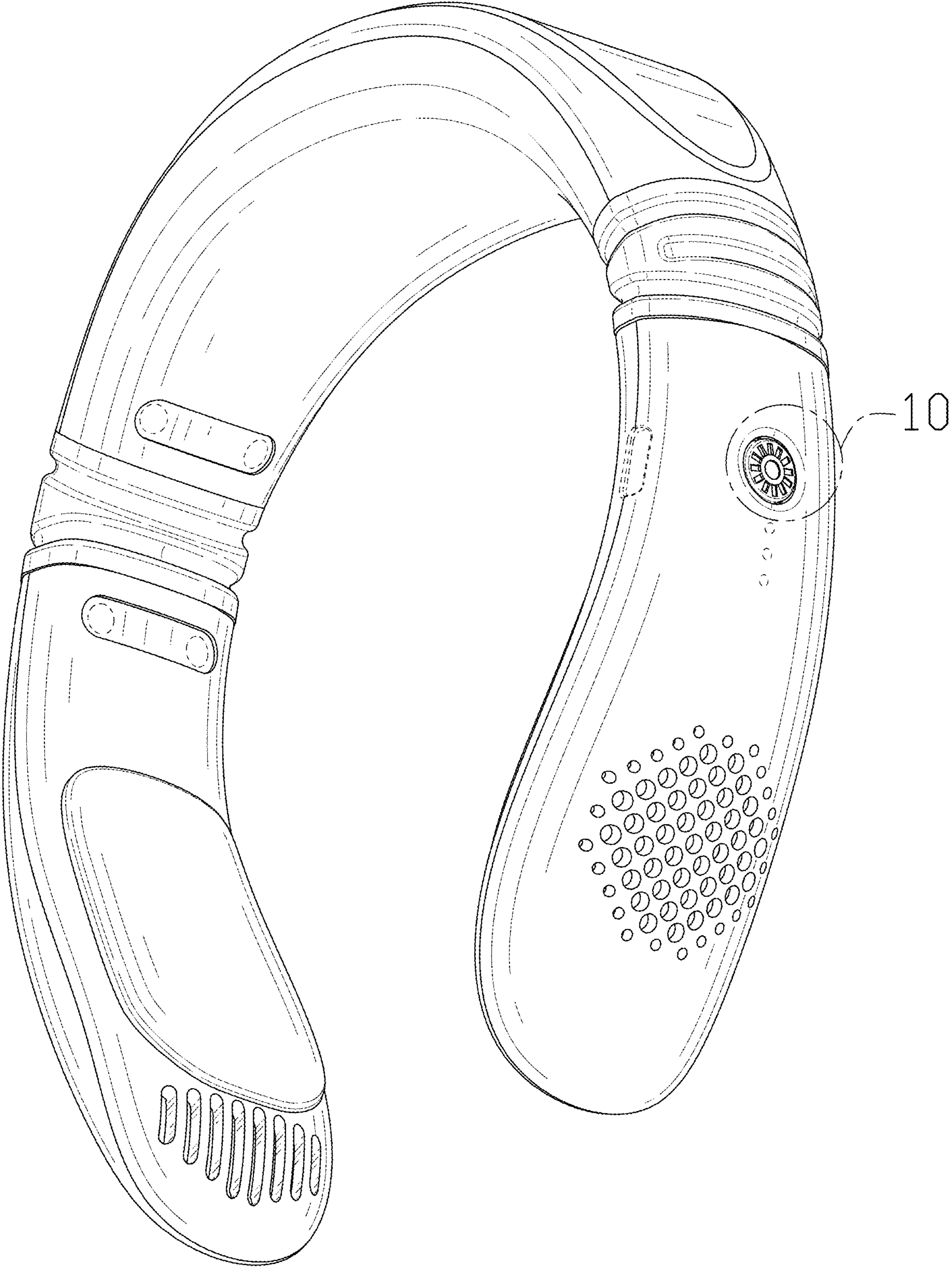


FIG. 2

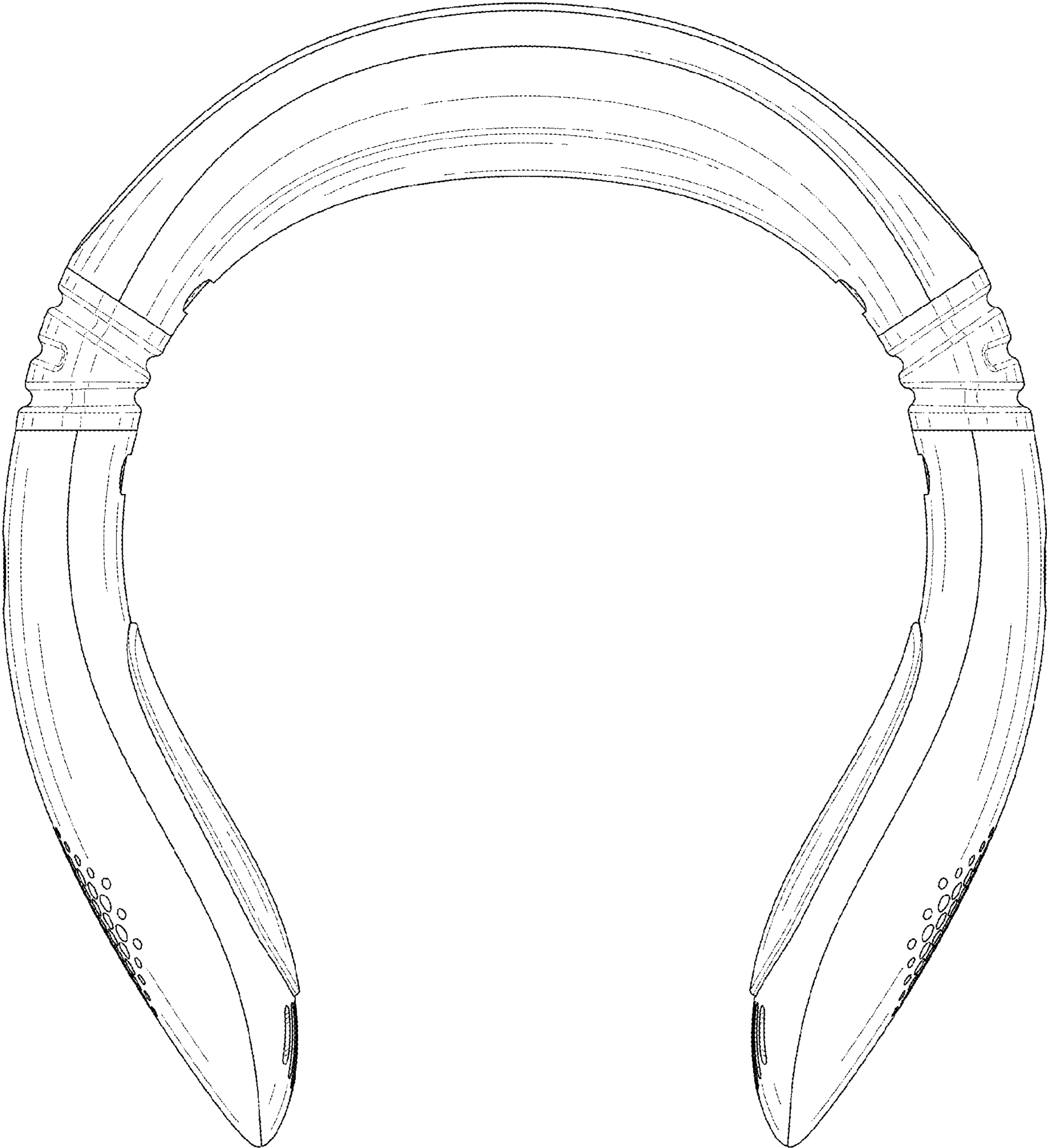


FIG. 3

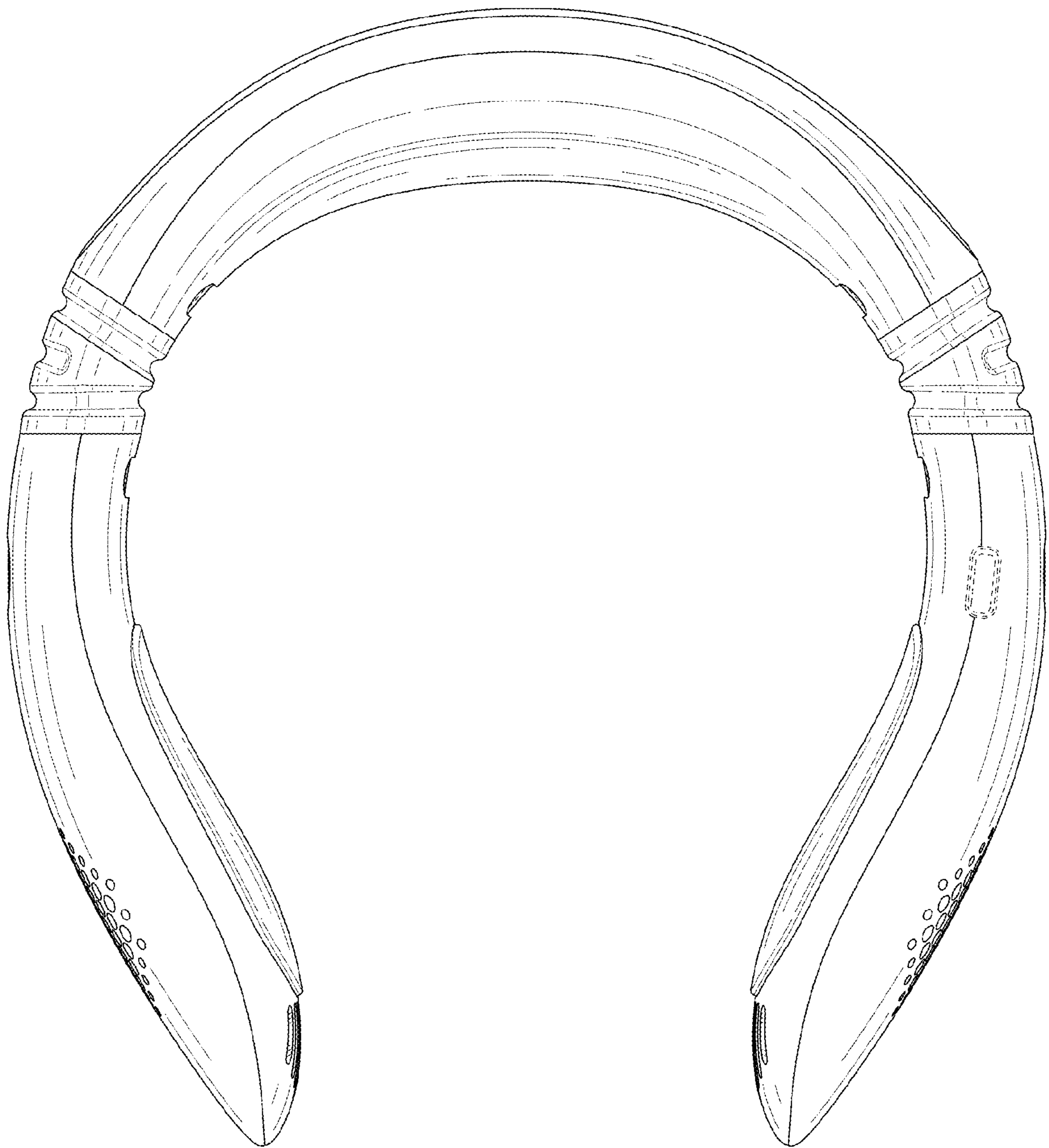


FIG. 4

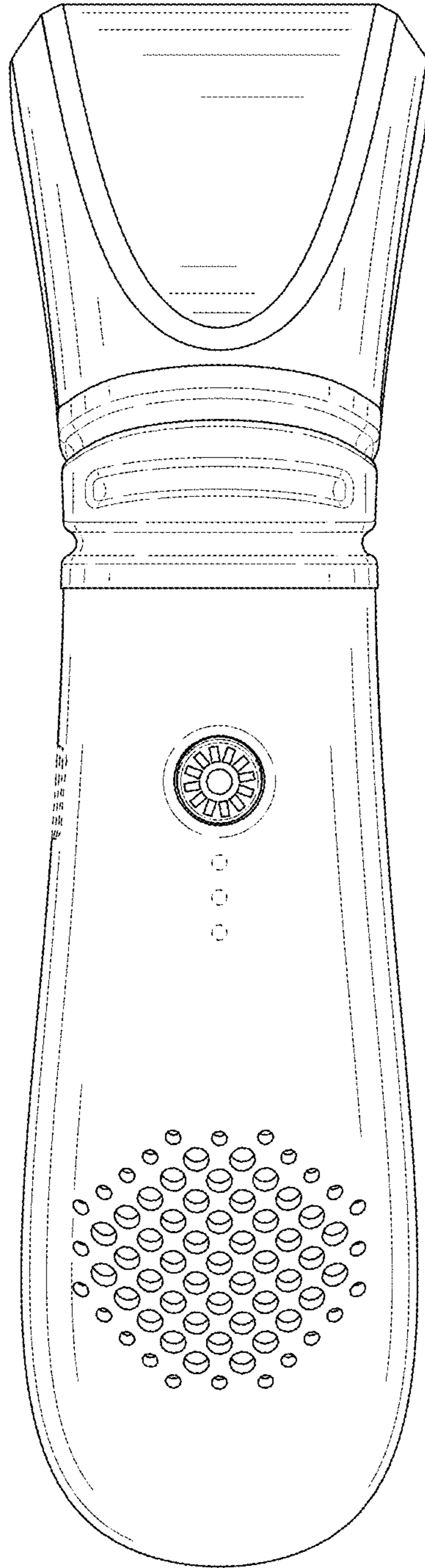


FIG. 5

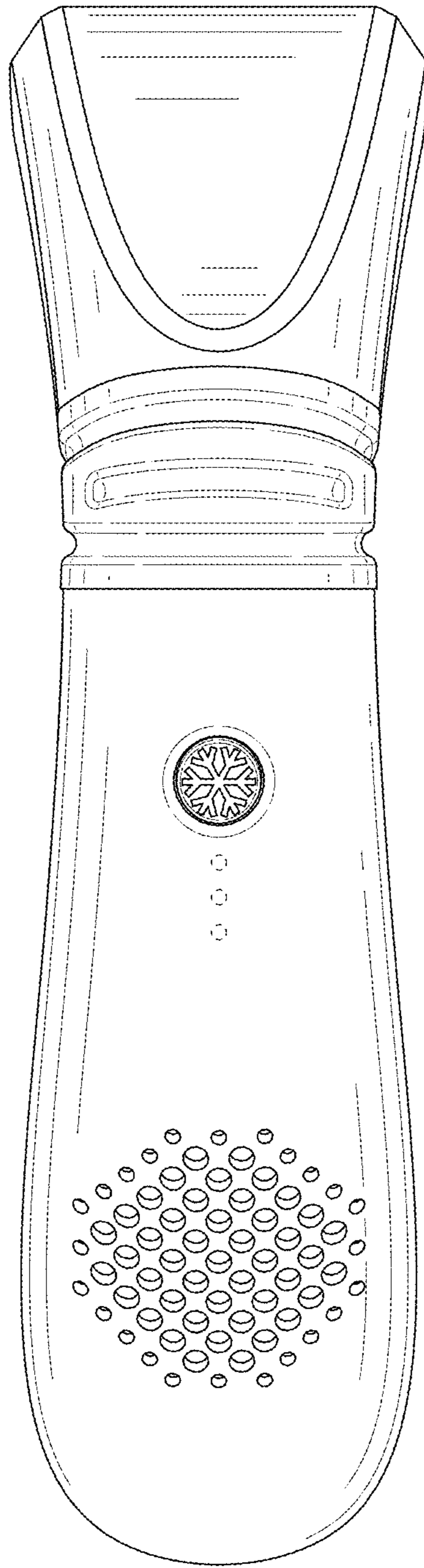


FIG. 6

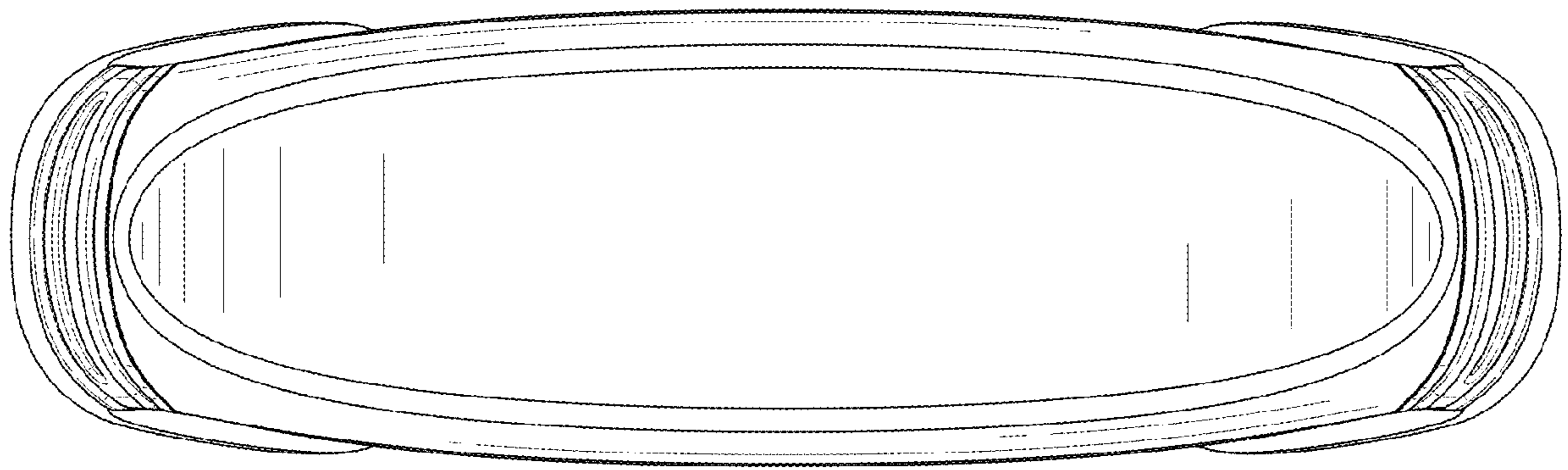


FIG. 7

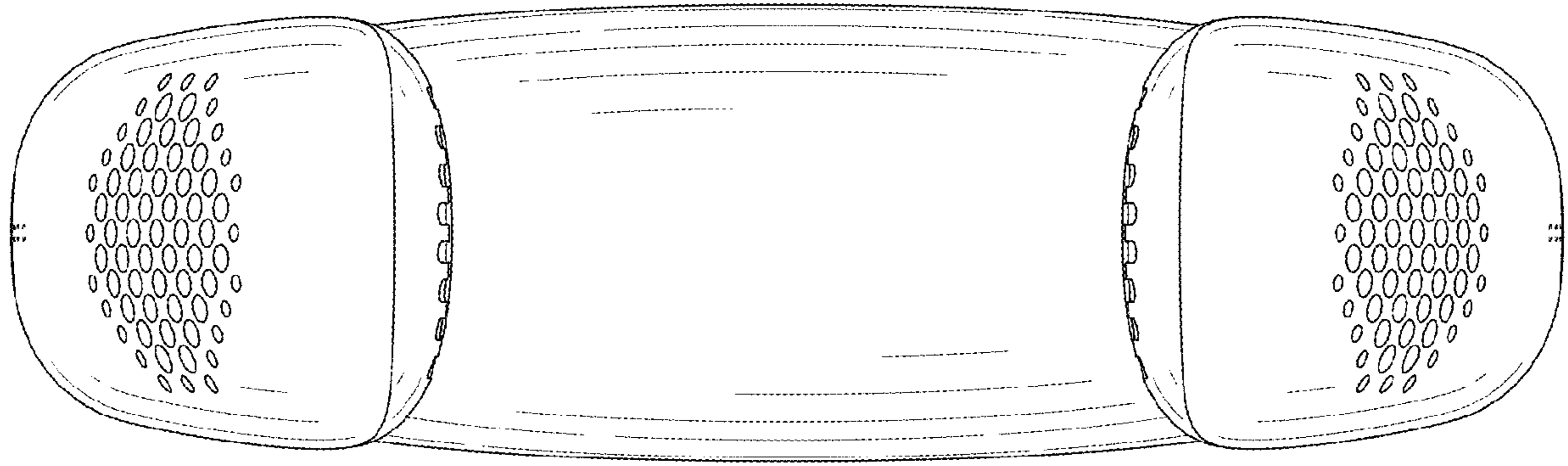


FIG. 8

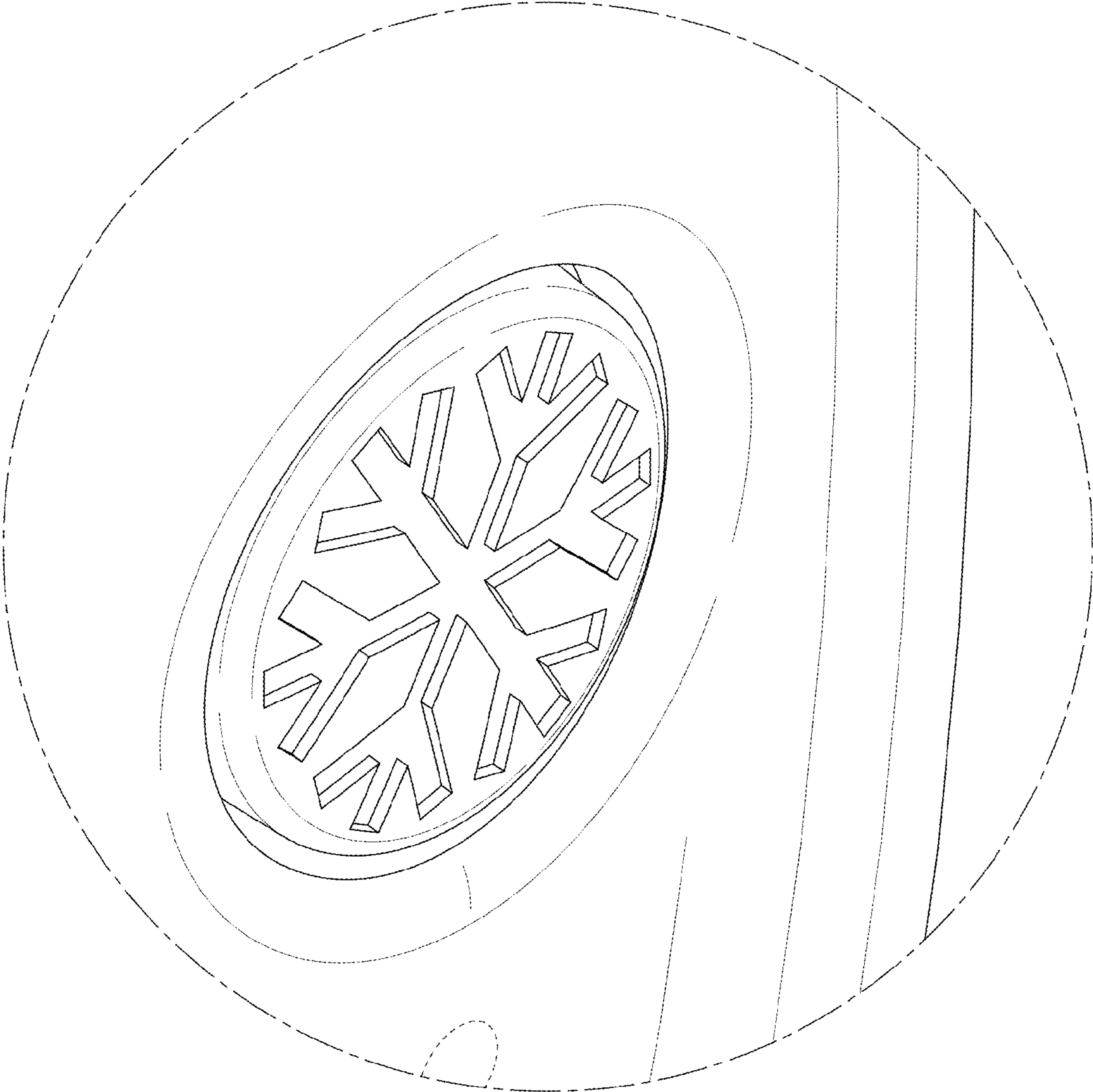


FIG. 9

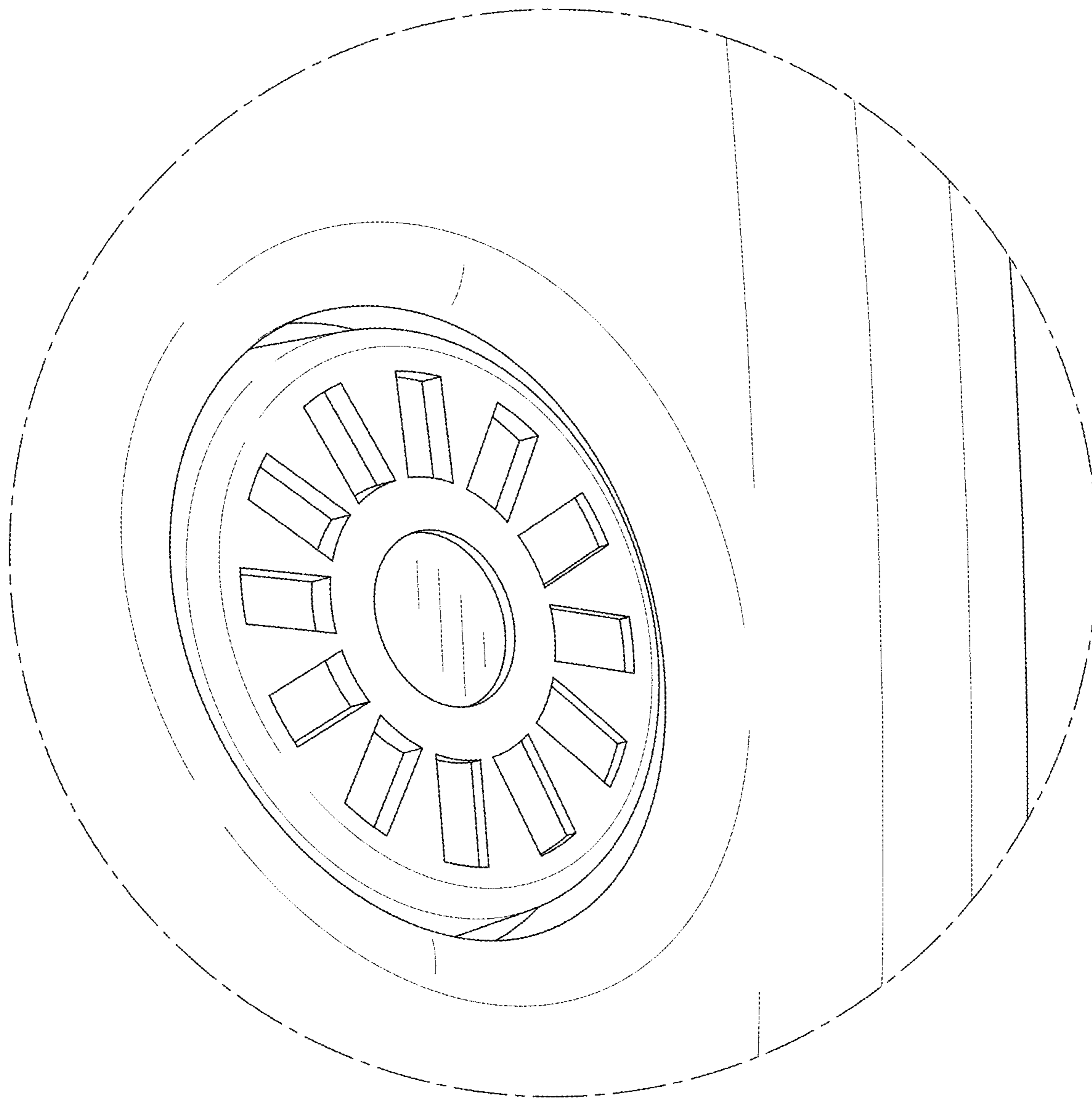


FIG. 10