



US00D959635S

(12) **United States Design Patent** (10) **Patent No.:** **US D959,635 S**  
**Zhao** (45) **Date of Patent:** **\*\* Aug. 2, 2022**

(54) **BLADELESS FAN**  
(71) Applicant: **MIDEA GROUP CO., LTD.**, Foshan (CN)  
(72) Inventor: **Lei Zhao**, Guangdong (CN)  
(73) Assignee: **MIDEA GROUP CO., LTD.**, Guangdong (CN)

D678,993 S \* 3/2013 Kung-Hua ..... D23/370  
D729,373 S \* 5/2015 Dos Reis ..... D23/370  
D729,374 S \* 5/2015 Dos Reis ..... D23/370  
D729,375 S \* 5/2015 Dos Reis ..... D23/370  
D782,020 S \* 3/2017 Poulton ..... D23/370  
D782,021 S \* 3/2017 Poulton ..... D23/370  
D782,640 S \* 3/2017 Poulton ..... D23/370  
D782,641 S \* 3/2017 Poulton ..... D23/370  
D782,642 S \* 3/2017 Poulton ..... D23/370

(\*\*) Term: **15 Years**  
(21) Appl. No.: **35/511,090**  
(22) Filed: **Oct. 13, 2020**

**FOREIGN PATENT DOCUMENTS**

CN 301648406 S 8/2011  
JP 1376284 S 12/2009  
JP 1419536 S 7/2011  
JP 1510686 S 11/2014  
JP 1552601 S 6/2016

(80) **Hague Agreement Data**  
Int. Filing Date: **Oct. 13, 2020**  
Int. Reg. No.: **DM/211840**  
Int. Reg. Date: **Oct. 13, 2020**  
Int. Reg. Pub. Date: **Jan. 1, 2021**

\* cited by examiner

*Primary Examiner* — *Natasha Vujcic*

(30) **Foreign Application Priority Data**

May 21, 2020 (CN) ..... 202030239628.3

(51) **LOC (13) Cl.** ..... **23-04**  
(52) **U.S. Cl.**  
USPC ..... **D23/370**

(57) **CLAIM**

The ornamental design for a bladeless fan, as shown and described.

(58) **Field of Classification Search**  
USPC ..... D23/370–385, 411–414; D13/179  
CPC ..... F04D 25/088; F04D 25/06; F04D 29/38;  
F04D 29/522; F04D 29/5853; F04D  
29/326; F01P 5/02  
See application file for complete search history.

**DESCRIPTION**

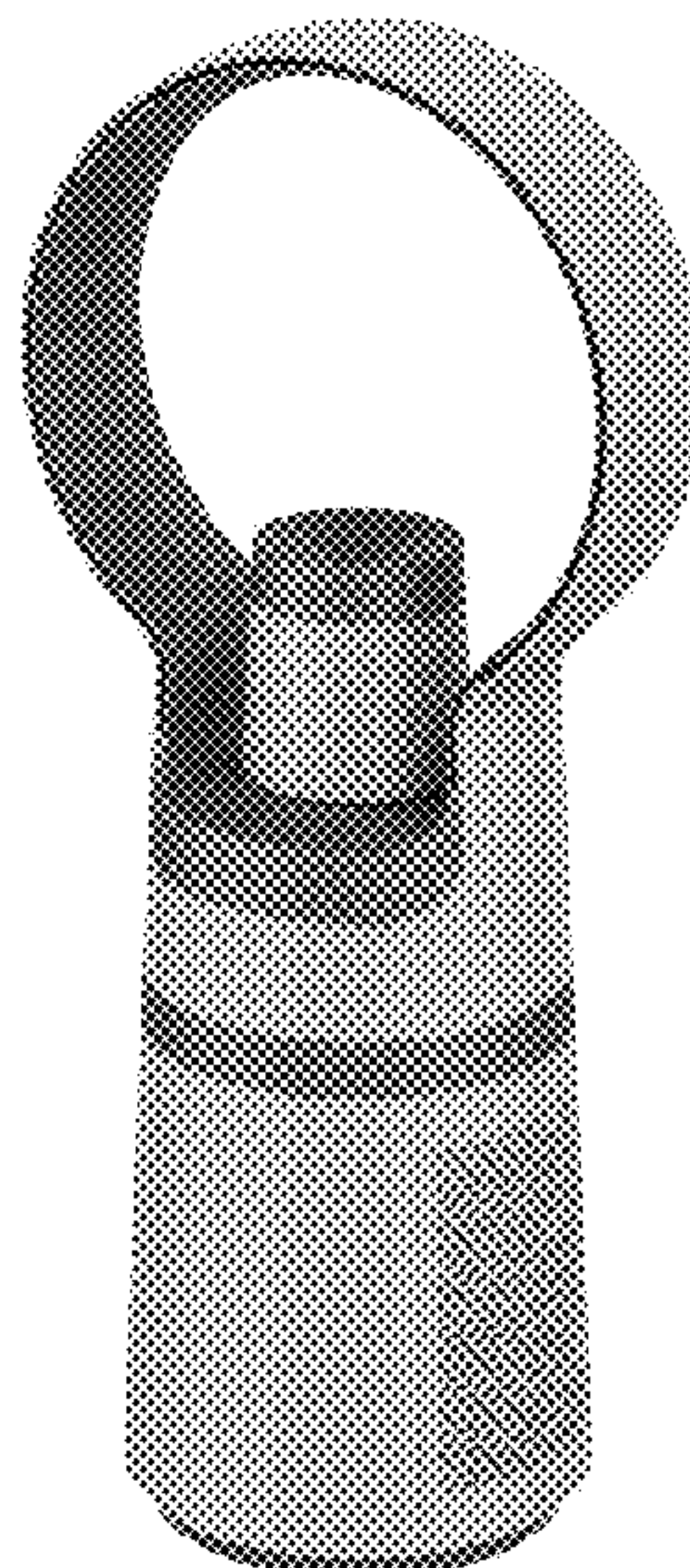
- 1.-2. Bladeless fan
- 1.1 : Front
- 1.2 : Back
- 1.3 : Left
- 1.4 : Right
- 1.5 : Top
- 1.6 : Bottom
- 1.7 : Perspective
- 2.1 : Front
- 2.2 : Back
- 2.3 : Left
- 2.4 : Right
- 2.5 : Top
- 2.6 : Bottom
- 2.7 : Perspective

(56) **References Cited**

**U.S. PATENT DOCUMENTS**

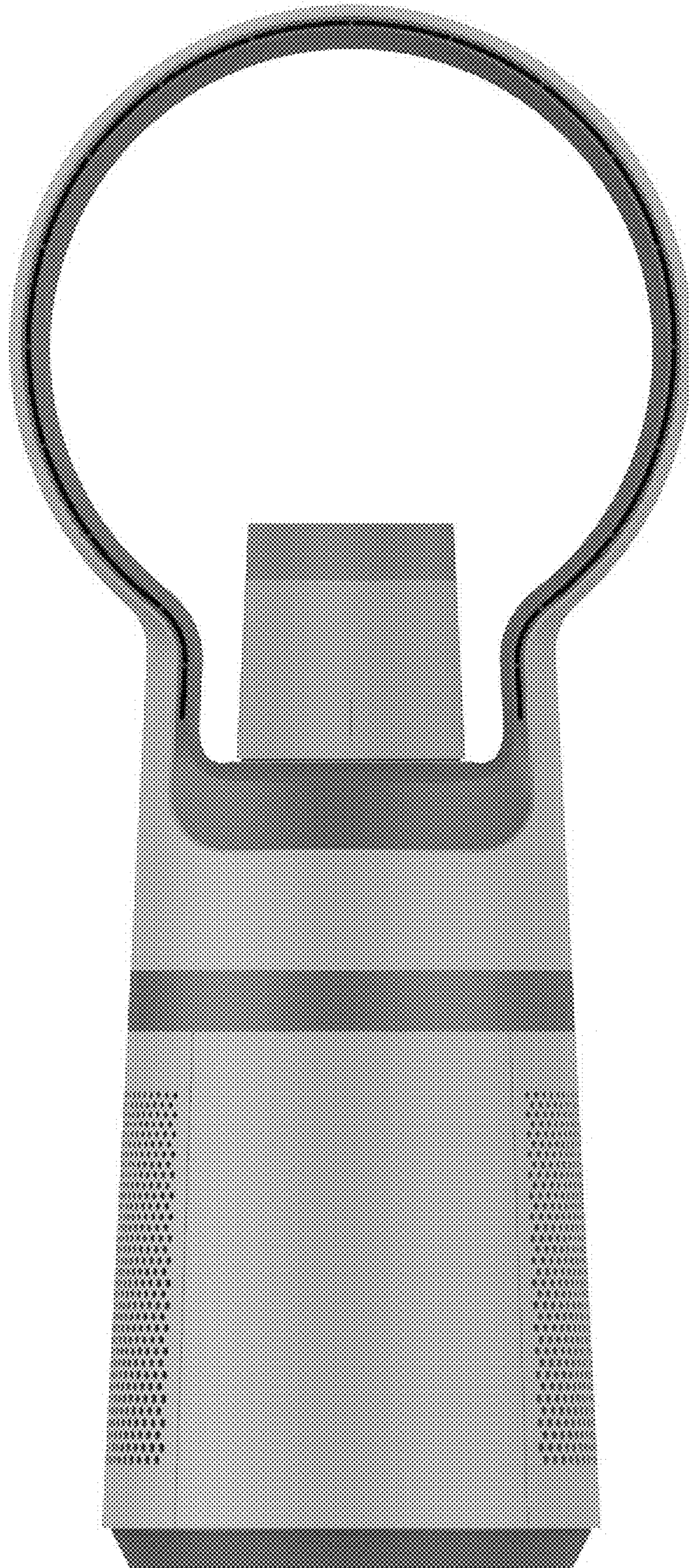
D602,143 S \* 10/2009 Gammack ..... F04D 25/08  
D23/370  
D638,114 S \* 5/2011 Li ..... D23/370

**1 Claim, 14 Drawing Sheets**



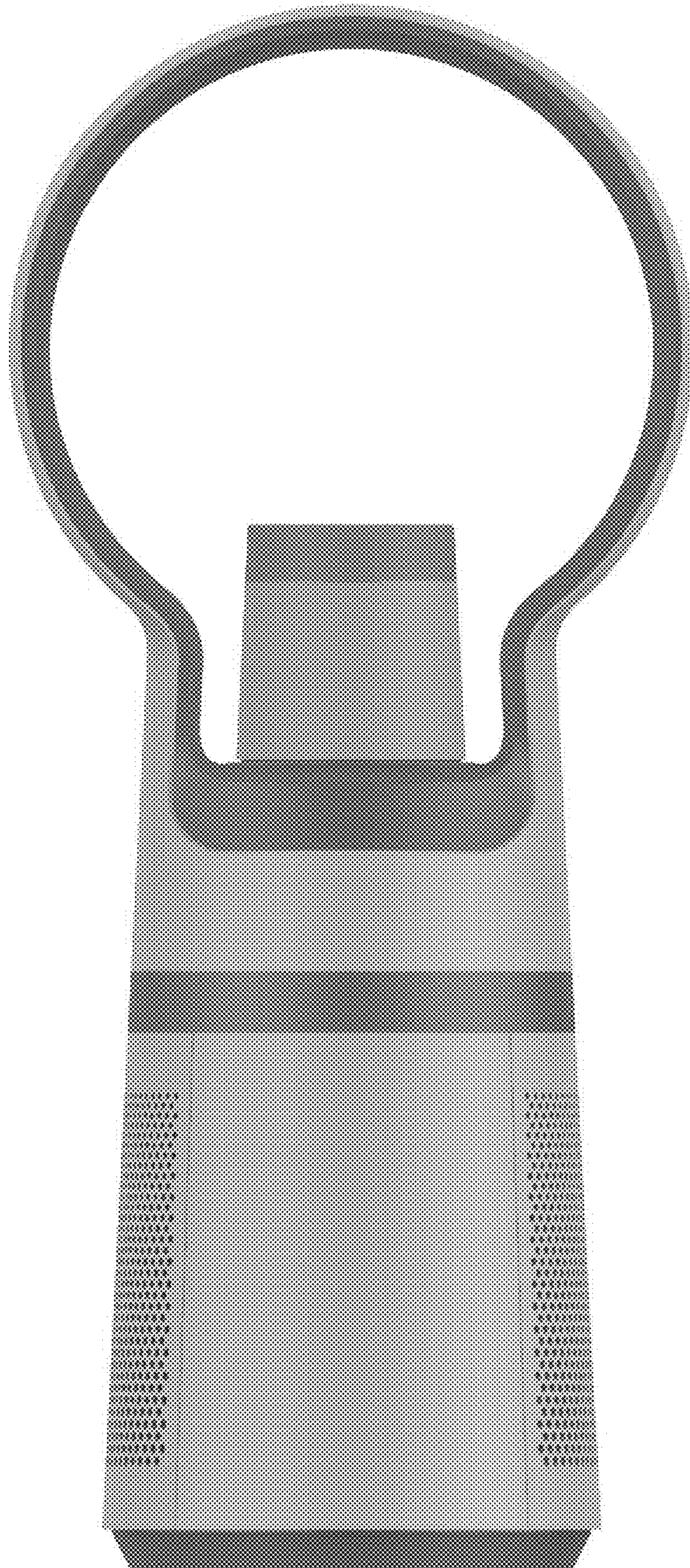


1.1



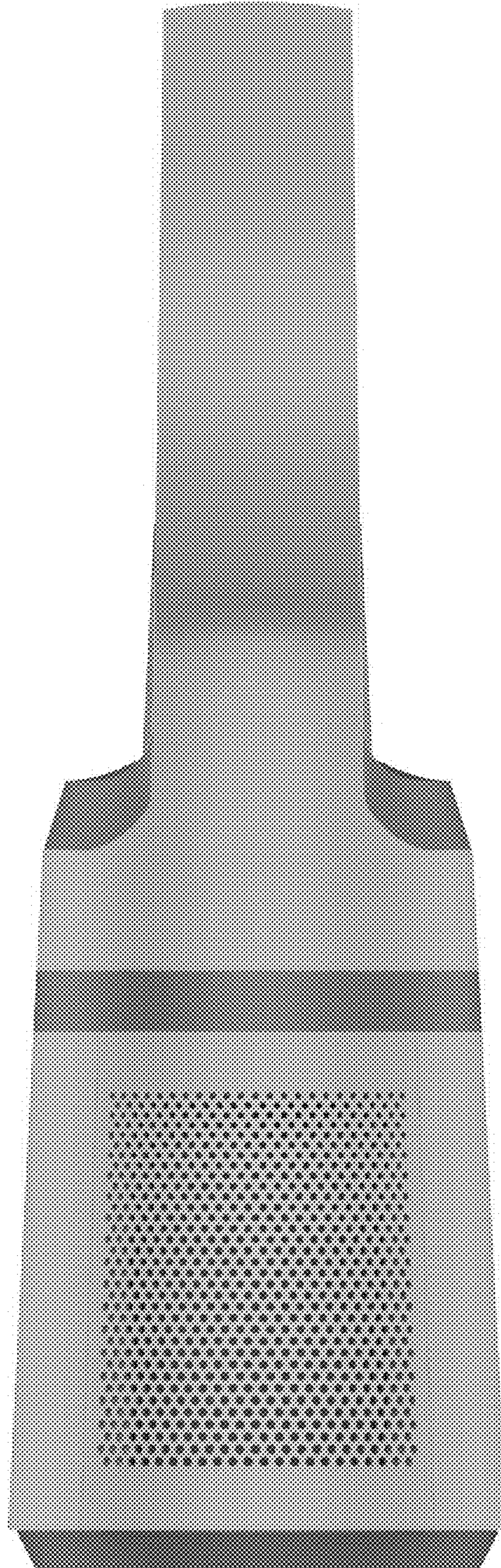


1.2



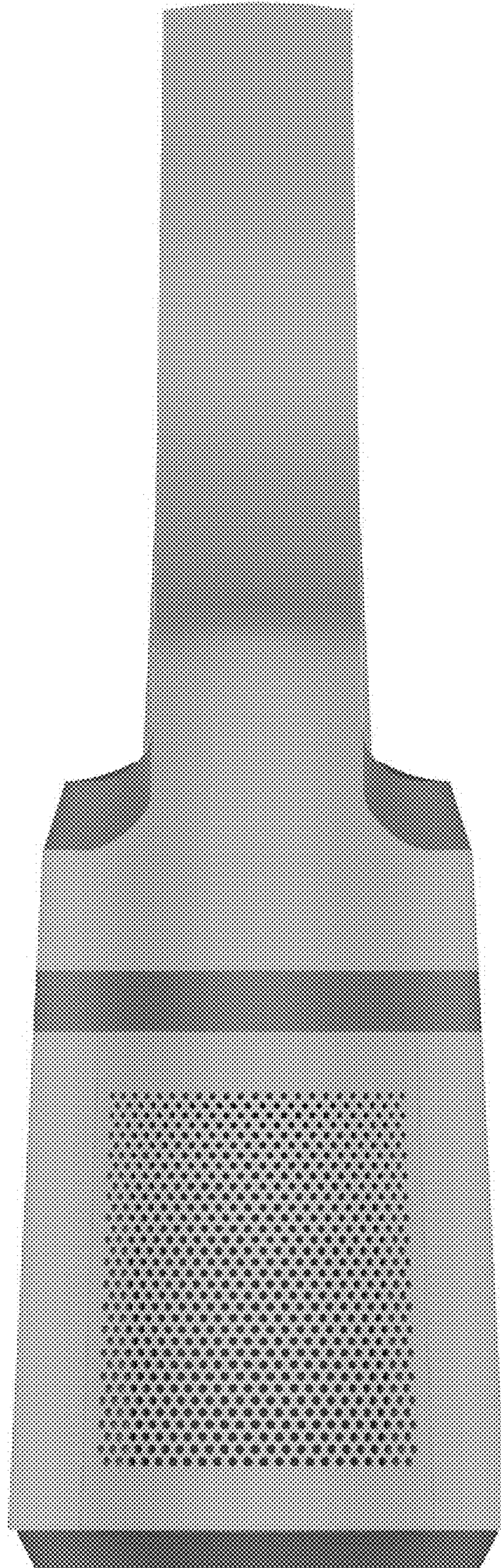


1.3



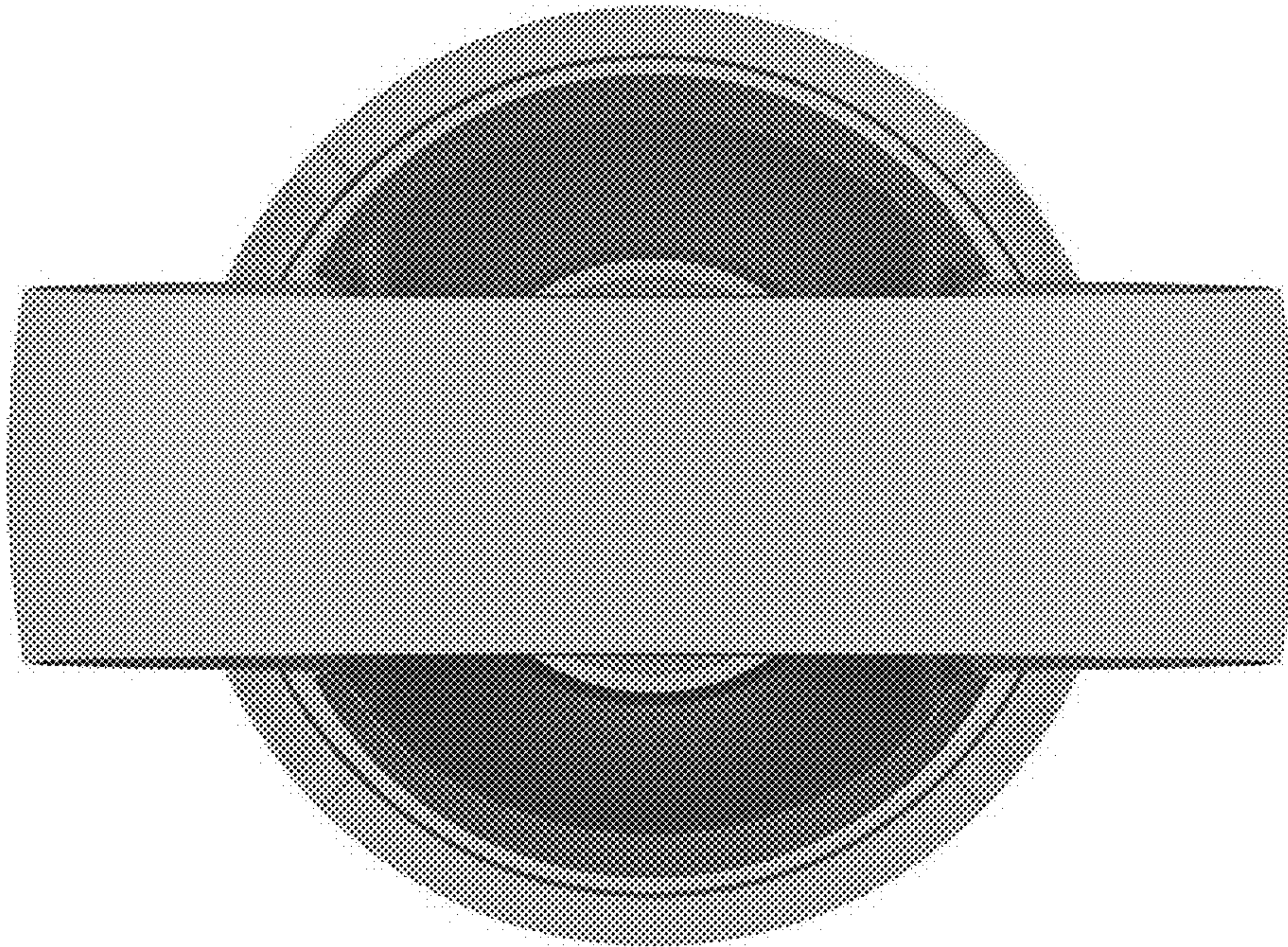


1.4

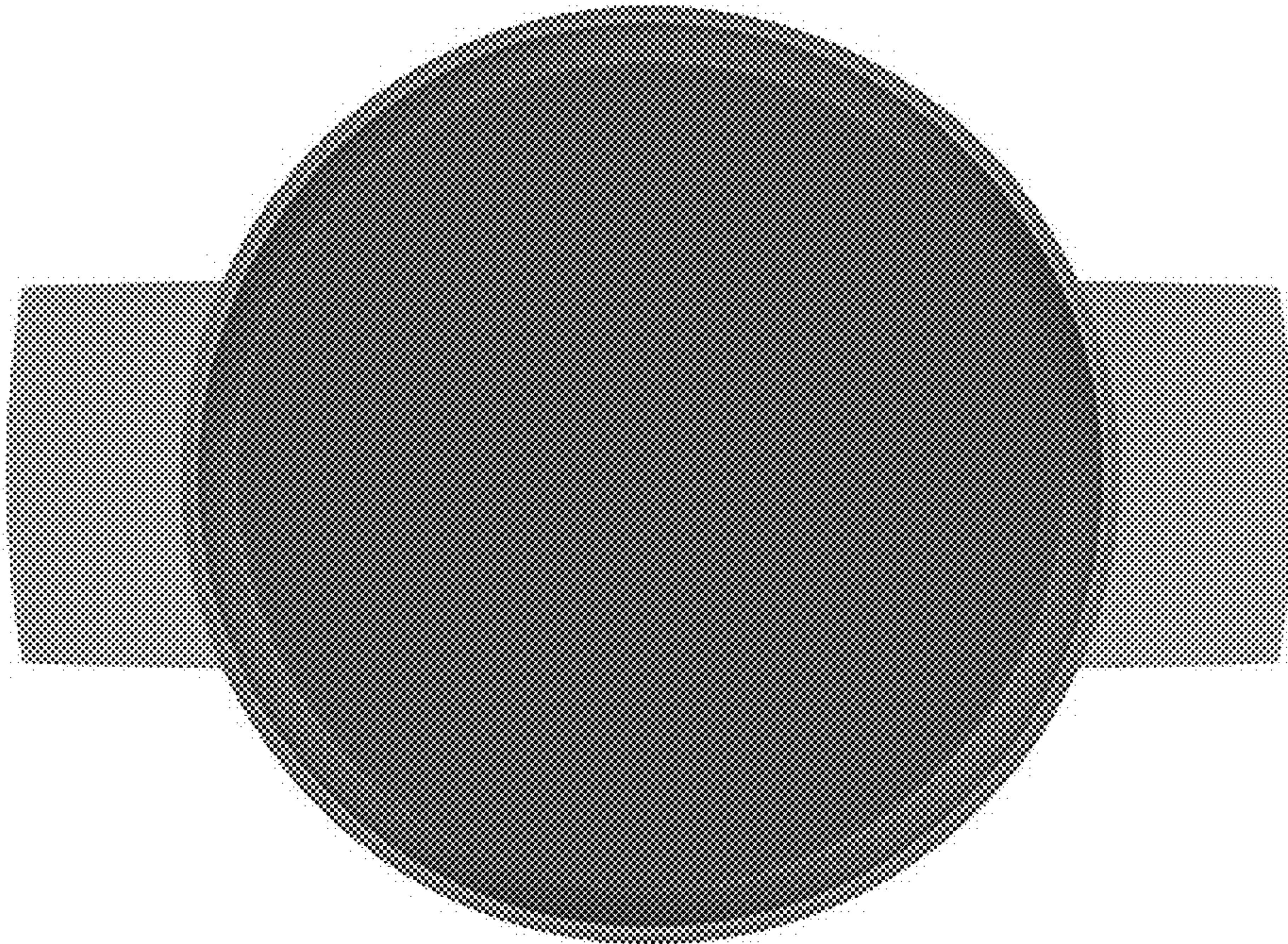




1.5



1.6





1.7





2.1



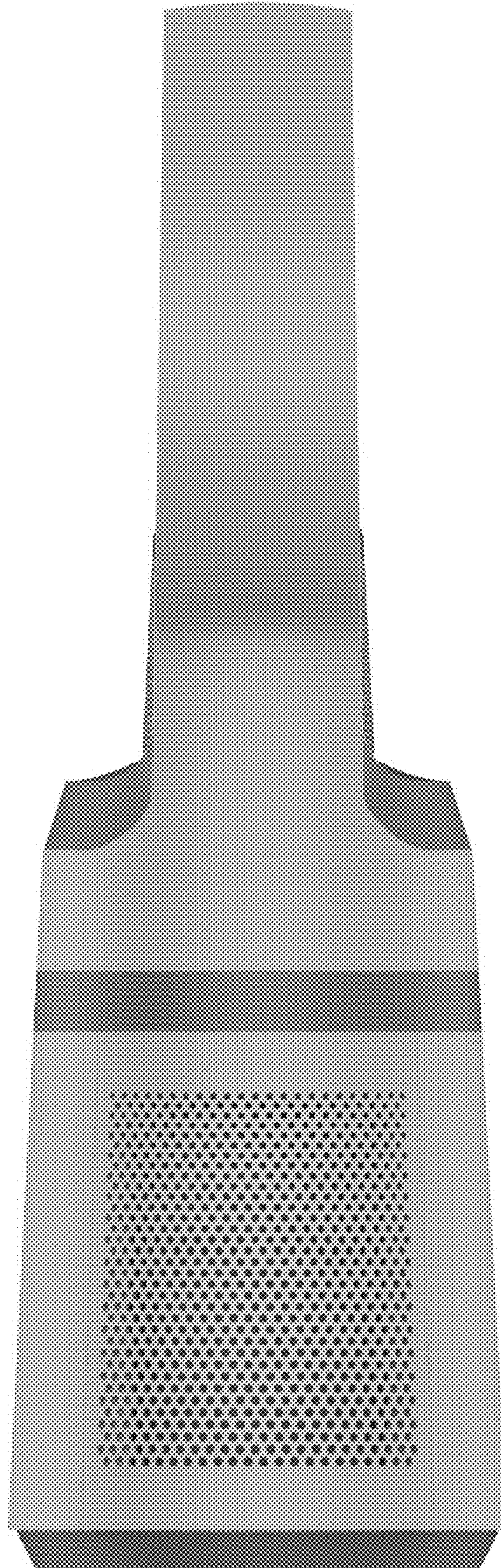


2.2



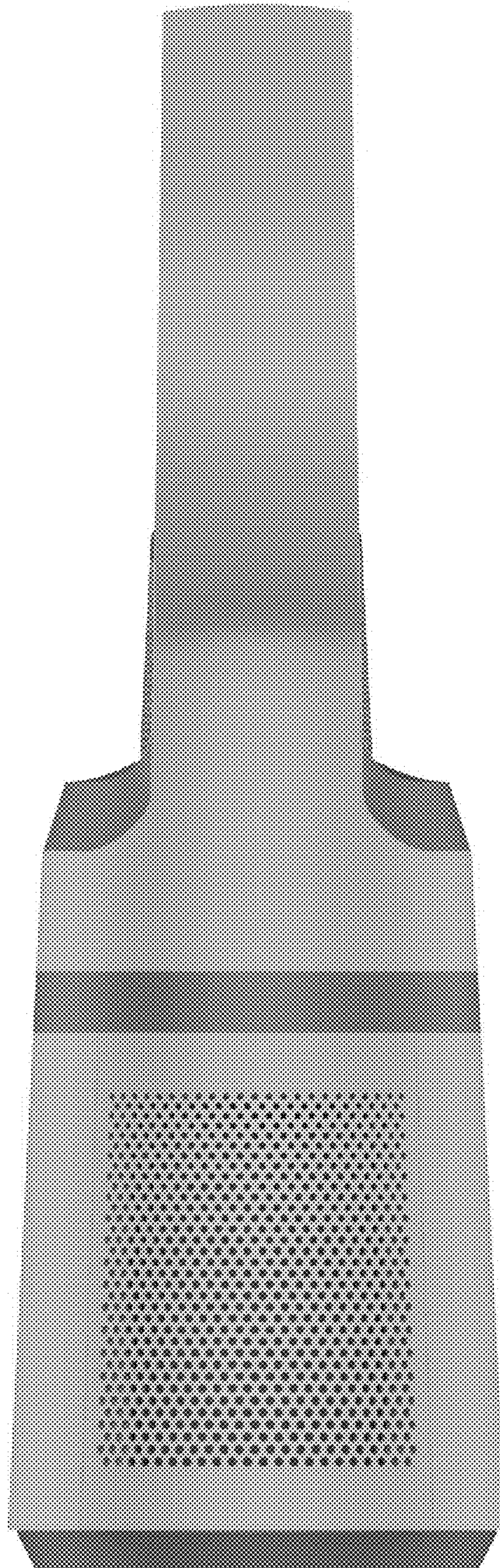


2.3



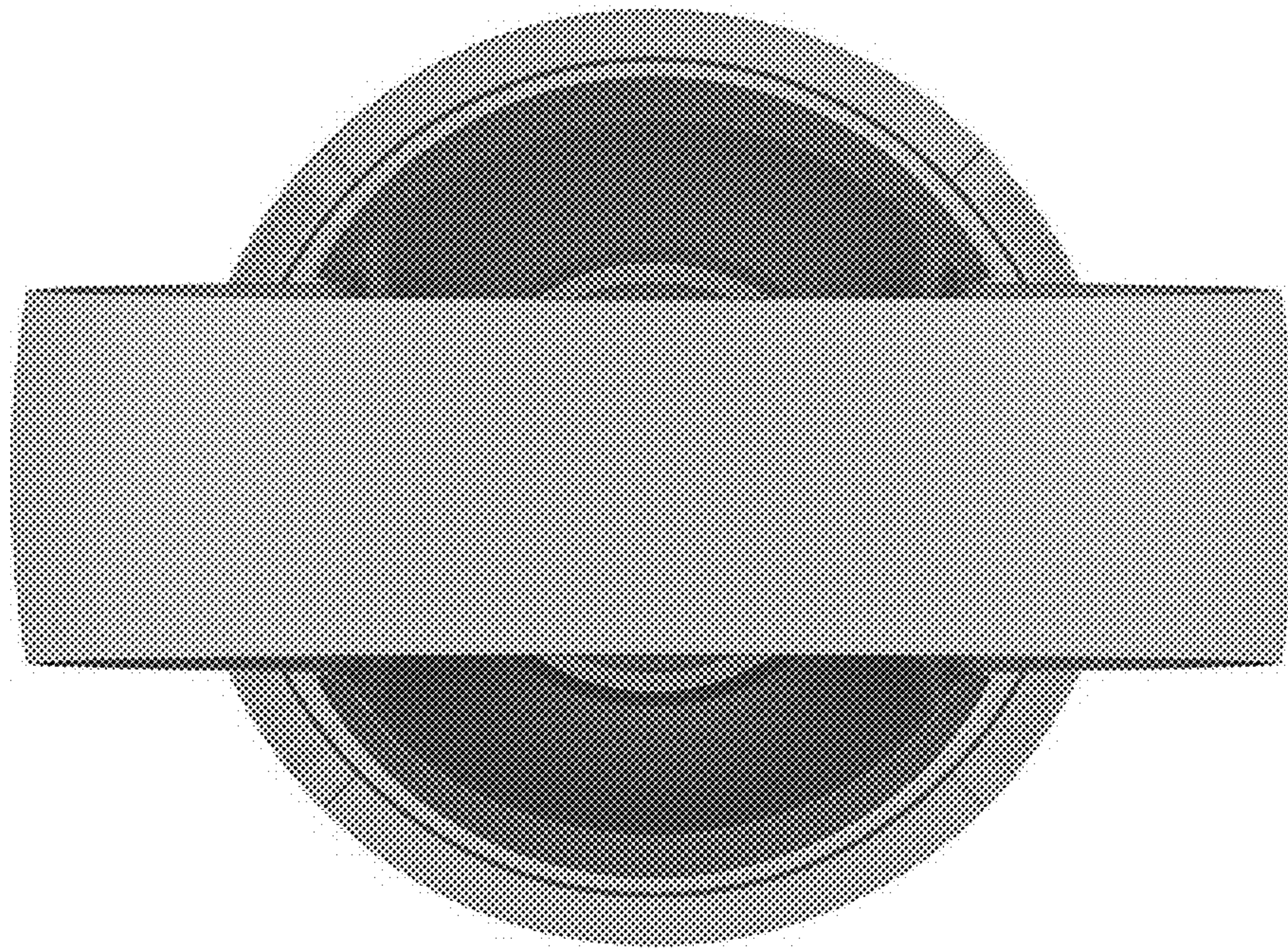


2.4



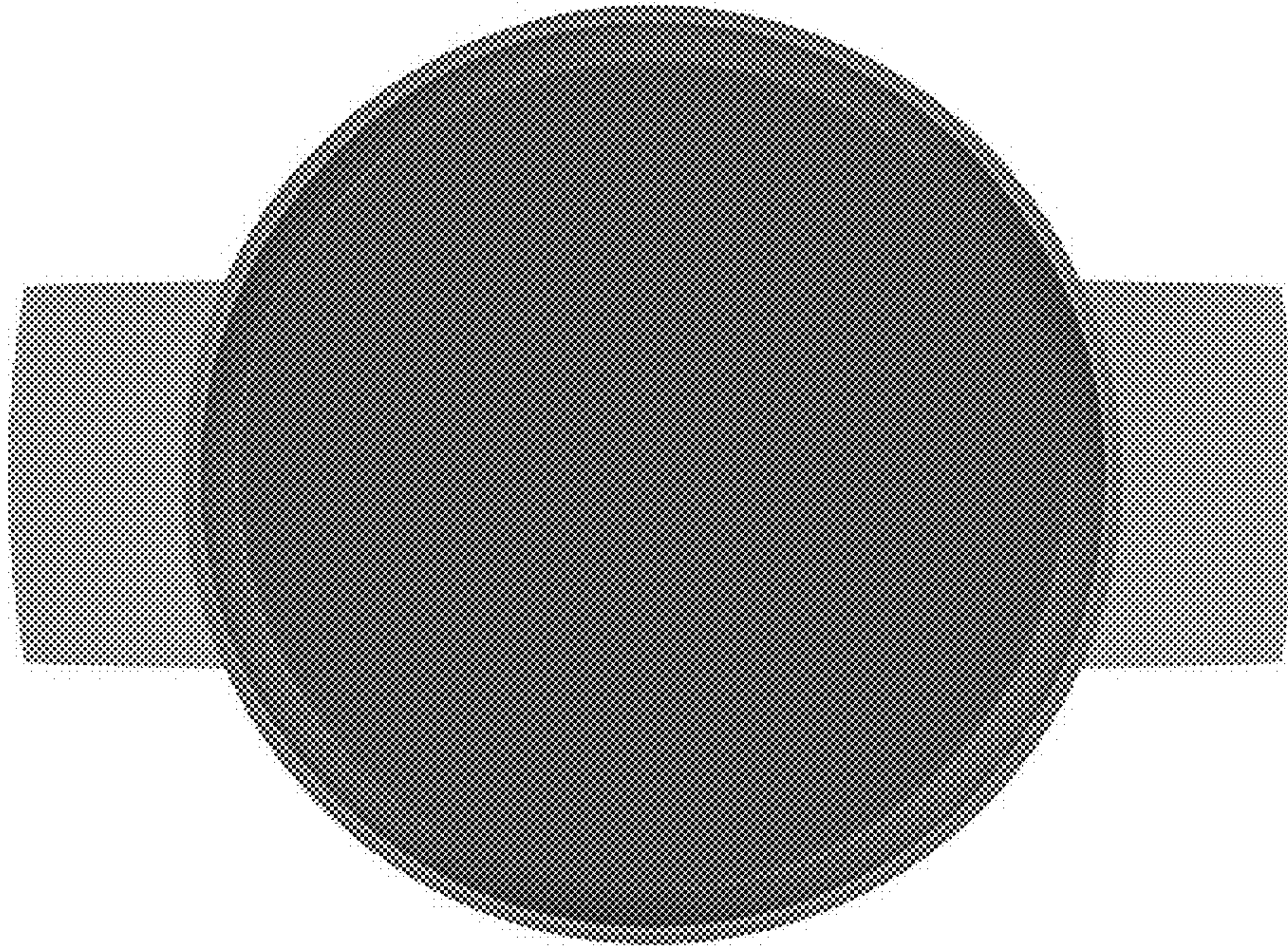


2.5





2.6





2.7

