



US00D959633S

(12) **United States Design Patent**
Ye et al.

(10) **Patent No.:** **US D959,633 S**

(45) **Date of Patent:** **** *Aug. 2, 2022**

(54) **PORTABLE SPRITZER CONTAINER**

(71) Applicant: **i-Drink Products Inc.**, Ann Arbor, MI (US)

(72) Inventors: **Chao-Hua Ye**, Foshan (CN); **Douglas Wang**, Ann Arbor, MI (US)

(73) Assignee: **I-DRINK PRODUCTS INC.**, Ann Arbor, MI (US)

(*) Notice: This patent is subject to a terminal disclaimer.

(**) Term: **15 Years**

(21) Appl. No.: **29/728,056**

(22) Filed: **Mar. 16, 2020**

(30) **Foreign Application Priority Data**

Sep. 17, 2019 (CN) 201930508602.1

(51) **LOC (13) Cl.** **23-04**

(52) **U.S. Cl.**
USPC **D23/366**

(58) **Field of Classification Search**
USPC D23/208, 213, 359-366; D28/5-6; D6/542; D7/510

CPC ... A61L 9/02; A61L 9/03; A61L 9/034; A61L 9/04; A61L 9/12; A61L 9/032; A61L 9/122; A61L 9/127; A61L 9/22

See application file for complete search history.

(56) **References Cited**

U.S. PATENT DOCUMENTS

D729,584 S * 5/2015 Weston D7/510
D788,897 S * 6/2017 Lee D23/356
D807,595 S * 1/2018 Valle D30/199
D810,265 S * 2/2018 Chen D23/366
D846,106 S * 4/2019 Hu D23/366

D881,366 S * 4/2020 Kihm D23/366
D881,367 S * 4/2020 Kihm D23/366
D907,173 S * 1/2021 Cho D23/207
D913,420 S * 3/2021 Sugawara D23/223
10,940,493 B2 * 3/2021 Levake B05B 1/00
2021/0008578 A1 * 1/2021 Bartolucci B05B 11/3001
2021/0078019 A1 * 3/2021 Tapocik B05B 1/14

OTHER PUBLICATIONS

“[Drinkmate instaFizz—Stainless Steel Carbonation Bottle! Carbonate]” [Jan. 23, 2020], [youtube.com], [Feb. 26, 2021]: [URL] <https://www.youtube.com/watch?v=w!DIPpLZ60k> (Year: 2020).*
100ml Oil Sprayer for Cooking Air Fryer, Olive Oil Sprayer, Stainless Steel Oil, Apr. 15, 2021, Amazon.com, Aug. 31, 2021. URL: <https://www.amazon.com/Sprayer-Stainless-Spritzer-Portable-Dispenser/dp/B092L98VMN> (Year: 2021).*

(Continued)

Primary Examiner — Jack Reickel

Assistant Examiner — Keith J Wilson

(74) *Attorney, Agent, or Firm* — Mitchell Law PLLC; Matthew W. Mitchell

(57) **CLAIM**

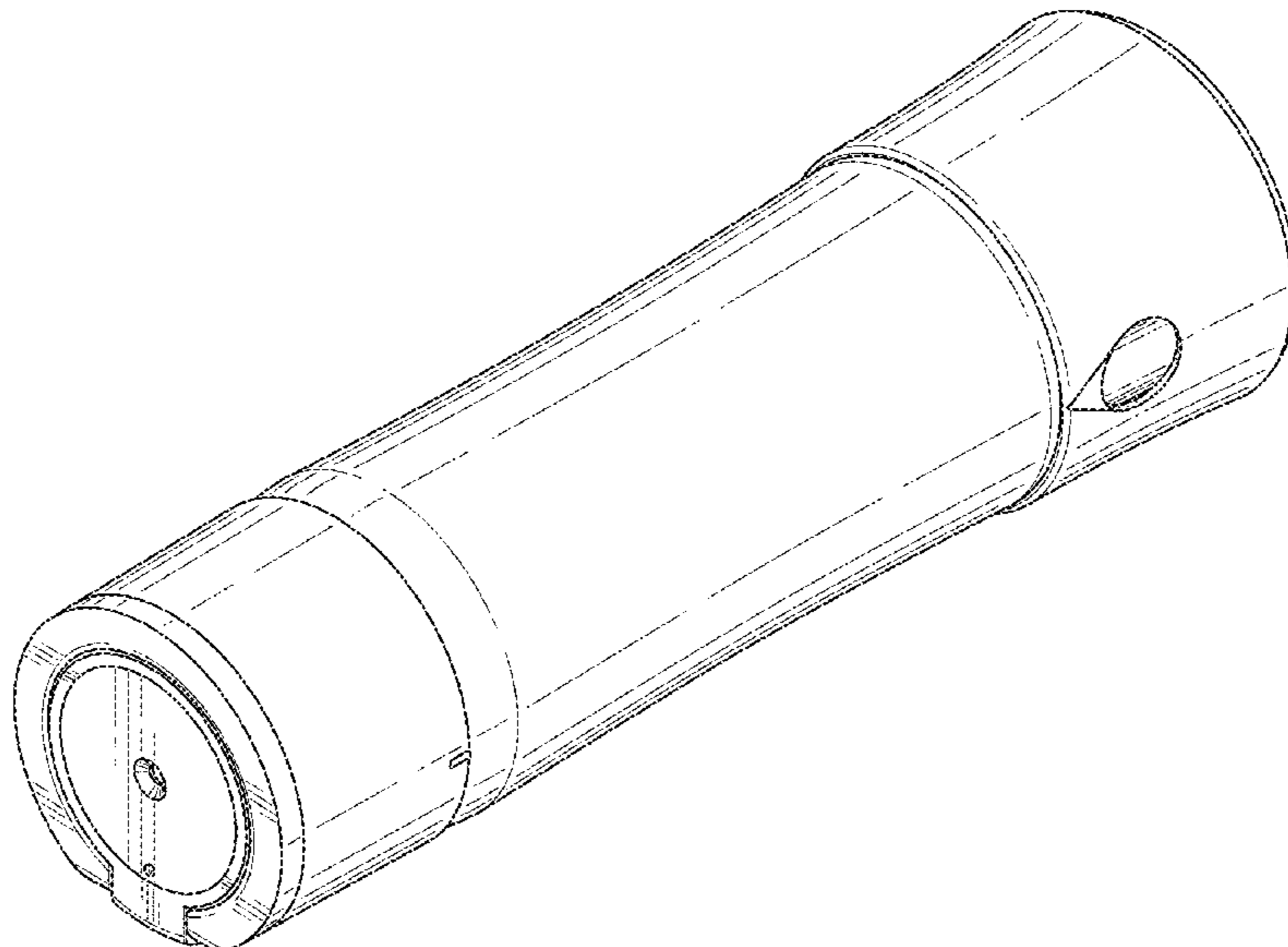
The ornamental design for a portable spritzer container, as shown and described.

DESCRIPTION

FIG. 1 is a front isometric view of the portable spritzer container of the present invention; FIG. 2 is a top plan view thereof; and FIG. 3 is a bottom plan view thereof. FIG. 4 is a right side view thereof; FIG. 5 is a front view thereof; FIG. 6 is rear isometric view thereof; and, FIG. 7 is a left-side view thereof.

The broken line shown represents portions of a portable spritzer container and forms no part of the claimed design.

1 Claim, 7 Drawing Sheets



(56)

References Cited

OTHER PUBLICATIONS

Olive Oil Sprayer for Cooking, 2021 Upgraded Stainless Steel Oil Dispenser Spray Bottle, May 20, 2021, Amazon.com, Aug. 31, 2021. URL: https://www.amazon.com/Upgraded-Stainless-Dispenser-Spraying-Barbecue/dp/B09199NSHN/ref=psdc_678513011_t2_B092L98VMN (Year: 2021).*

2 Pieces Nano Mister Sprayer Nano Facial Steamer Mister Spray Portable, Dec. 30, 2020, Amazon.com, Aug. 31, 2021. URL: <https://www.amazon.com/Portable-Moisturizing-Hydrating-Cleaning-Extensions/dp/B08NGC12DV> (Year: 2020).*

Nano Facial Mister Portable Mini Face Mist Handy Sprayer Automatic, Nov. 17, 2018, Amazon.com, Aug. 31, 2021. URL: <https://www.amazon.com/Portable-Sprayer-Atomization-Eyelash-Extensions/dp/B074MTNG7G> (Year: 2018).*

* cited by examiner

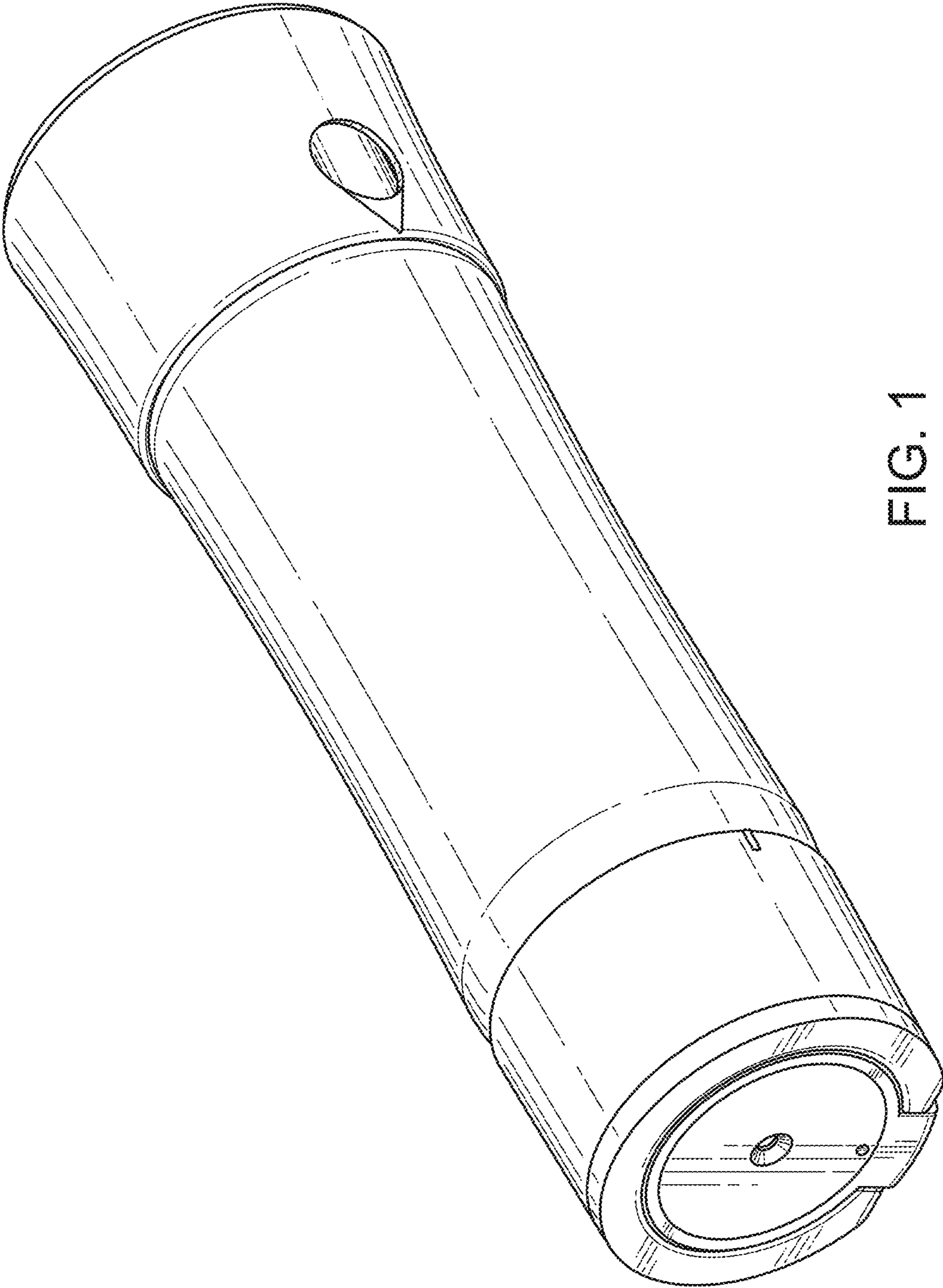


FIG. 1

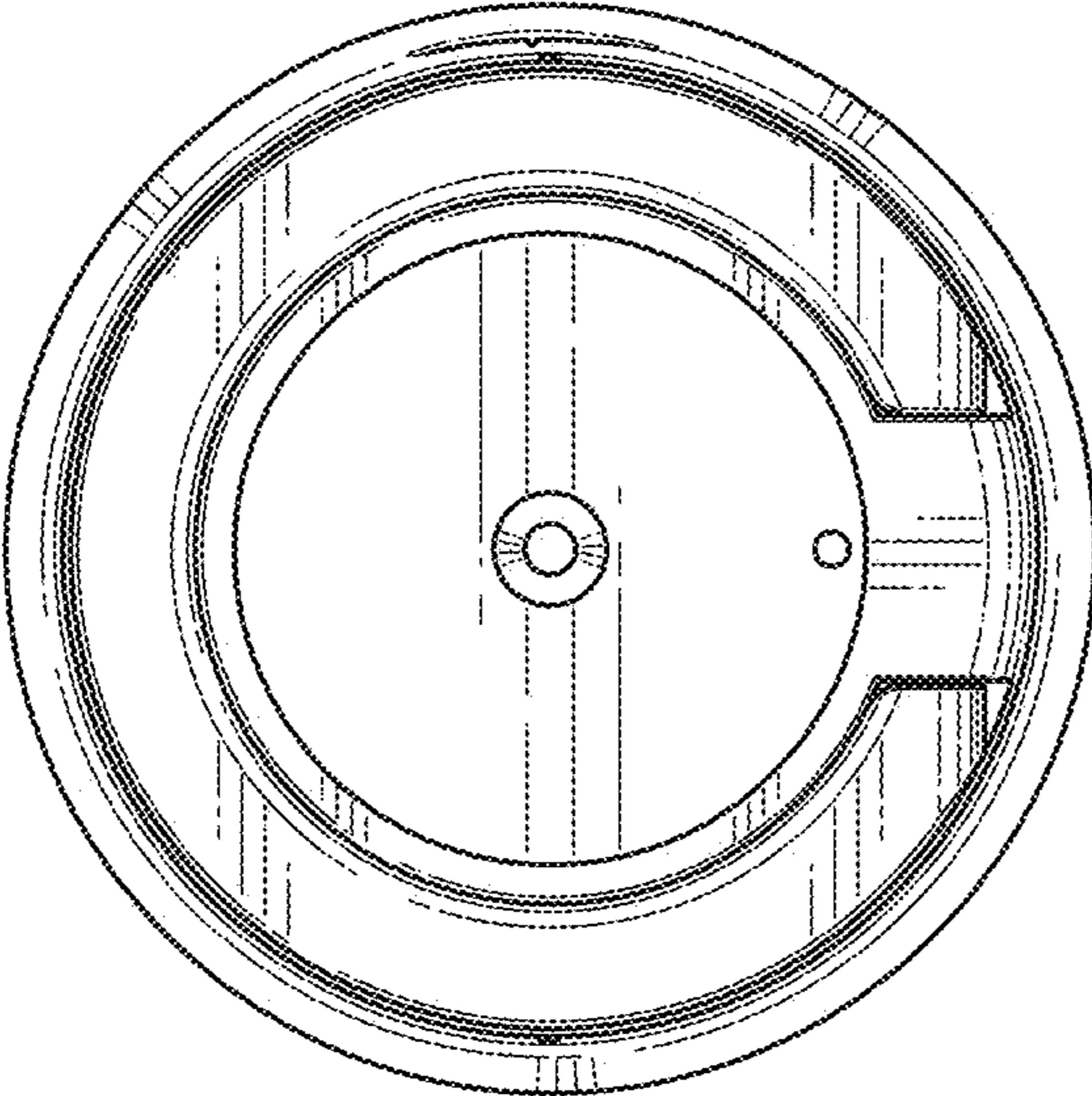


FIG. 2

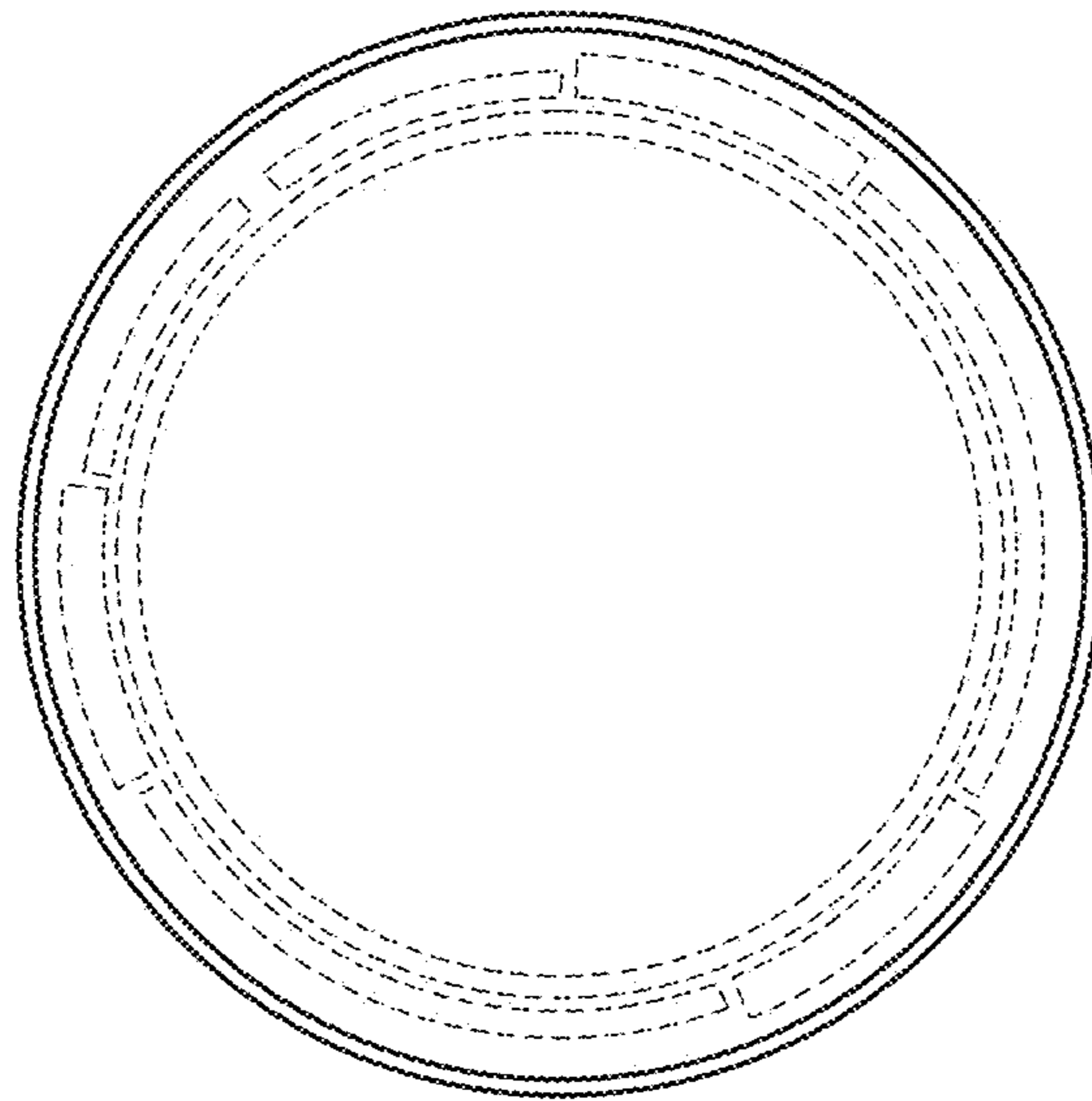


FIG. 3

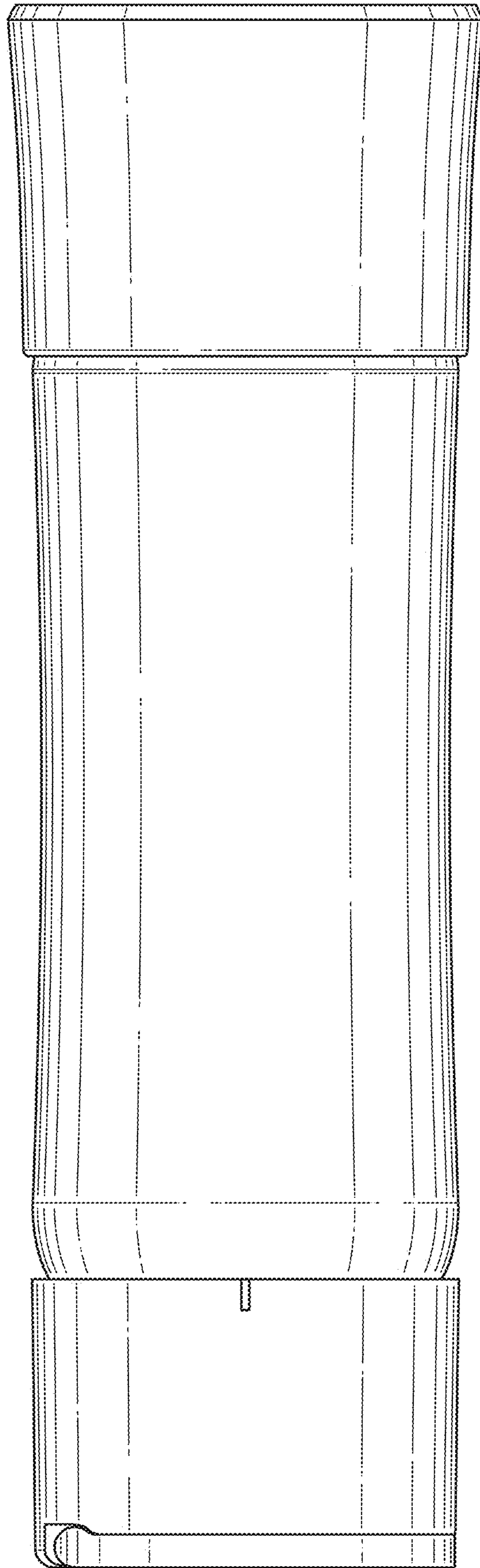


FIG. 4

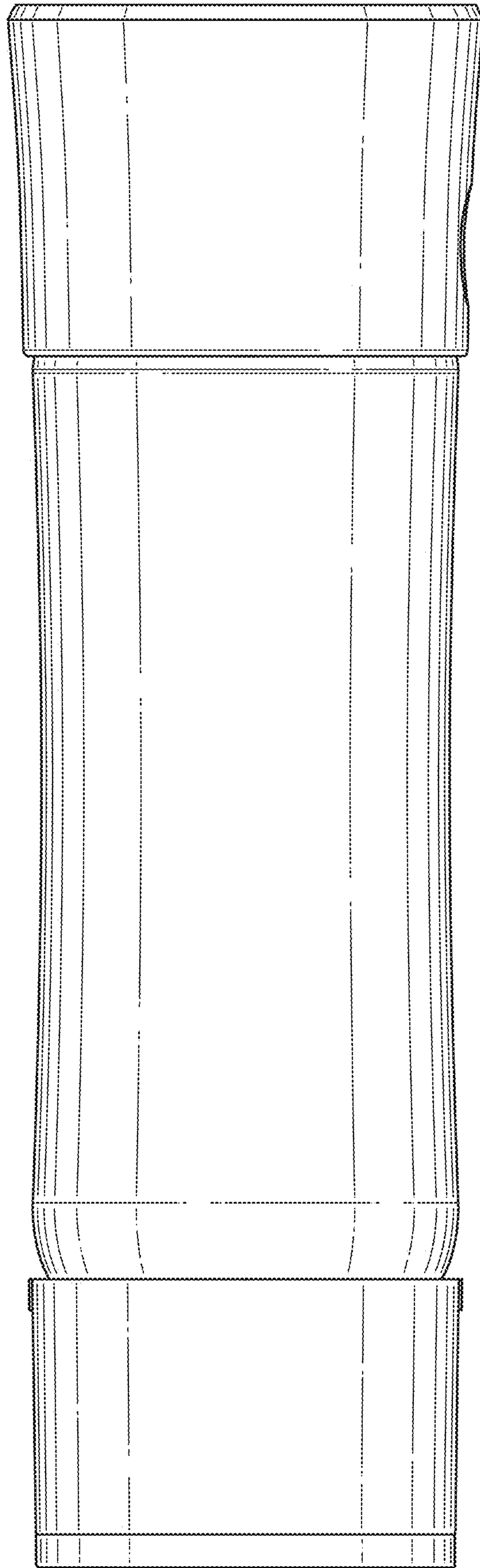


FIG. 5

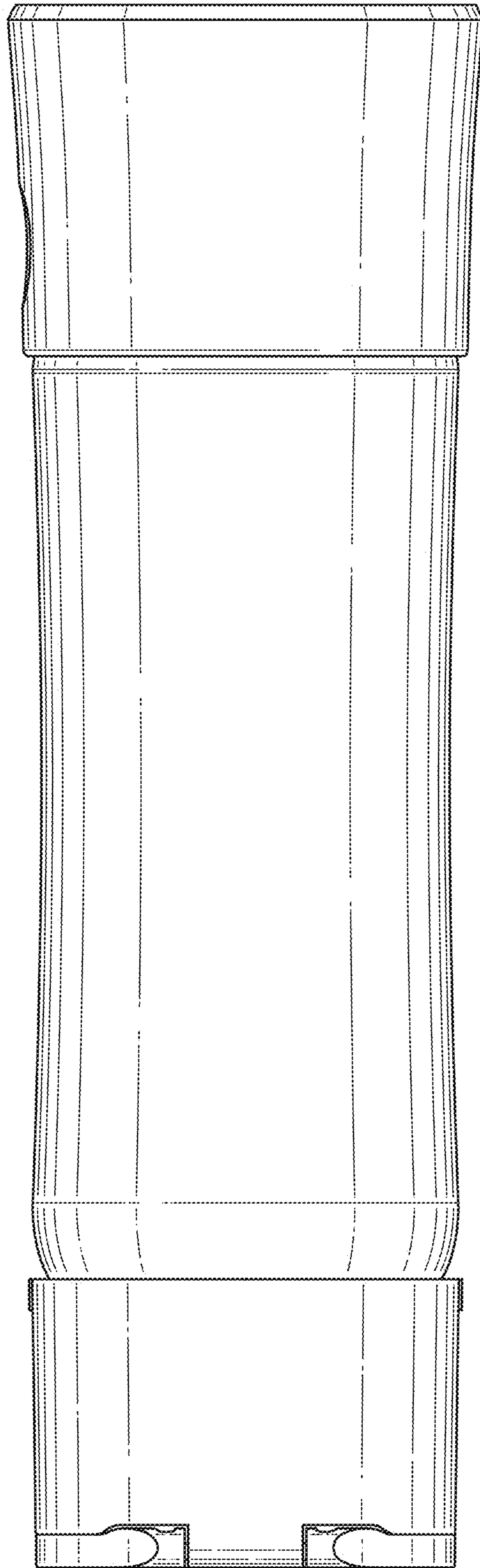


FIG. 6

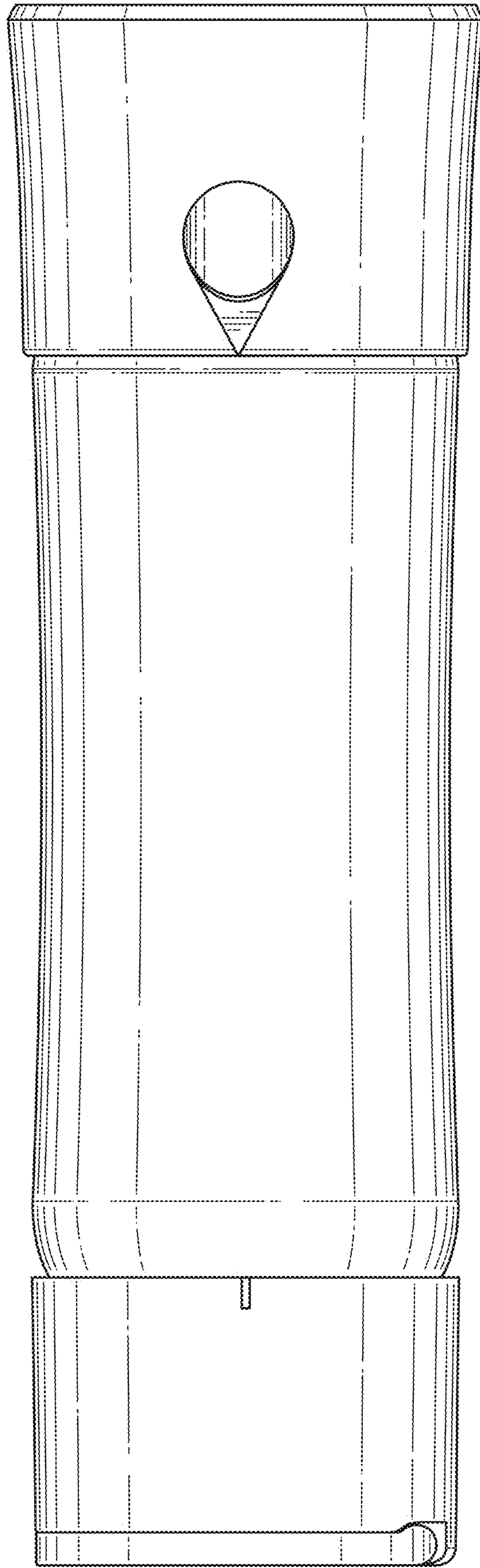


FIG. 7