



US00D959631S

(12) **United States Design Patent** (10) **Patent No.:** **US D959,631 S**  
**Ao** (45) **Date of Patent:** **\*\* Aug. 2, 2022**

(54) **AIR PURIFIER**

FOREIGN PATENT DOCUMENTS

(71) Applicant: **Shenzhen Xiluo Technology Co., Ltd,**  
Shenzhen OT (CN)

GB 6105400 \* 11/2020  
KR 300992675.0000 \* 2/2019  
KR 301023002.0000 \* 9/2019

(72) Inventor: **Chengqian Ao,** Shenzhen (CN)

OTHER PUBLICATIONS

(\*\*) Term: **15 Years**

(21) Appl. No.: **29/756,968**

Queenty Desktop Air Purifier, first available Feb. 6, 2021[online],  
[site visited Mar. 22, 2022]. Available from internet, URL:<https://  
www.amazon.com/dp/B08VRQ5Z6T> (Year: 2021).\*

(22) Filed: **Nov. 2, 2020**

Goflame Electric Mini Space Heater, first available Sep. 1, 2020[online],  
[site visited Mar. 22, 2022]. Available from internet, URL:<https://  
www.amazon.com/GOFLAME-Electric-Adjustable-Thermostat-  
Protection/dp/B08HQDFJXS> (Year: 2020).\*

(30) **Foreign Application Priority Data**

Sep. 30, 2020 (CN) ..... 202030593636.8

\* cited by examiner

(51) **LOC (13) Cl.** ..... **23-04**

(52) **U.S. Cl.**  
USPC ..... **D23/364**

(58) **Field of Classification Search**  
USPC ..... D23/332, 336, 356, 359, 364-365, 378,  
D23/499; D14/216, 221  
CPC ..... F24F 1/029; F24F 1/035; F24F 1/0287;  
F24F 6/06; F24F 6/14; F24F 13/06; F24F  
13/20; F24F 13/222; F24F 3/16; F24F  
3/1405; A61L 9/03  
See application file for complete search history.

*Primary Examiner* — Barbara Fox

*Assistant Examiner* — Jamaal Rasheed

(74) *Attorney, Agent, or Firm* — Rumit Ranjit Kanakia

(57) **CLAIM**

The ornamental design for an air purifier, as shown and described.

**DESCRIPTION**

FIG. 1 is a top front left perspective view of an air purifier showing my new design;

FIG. 2 is a bottom rear perspective view thereof;

FIG. 3 a front elevational view thereof;

FIG. 4 is a rear elevational view thereof;

FIG. 5 is a left side elevational view thereof;

FIG. 6 is a right side elevational view thereof;

FIG. 7 is a top plan view thereof; and,

FIG. 8 is a bottom plan view thereof.

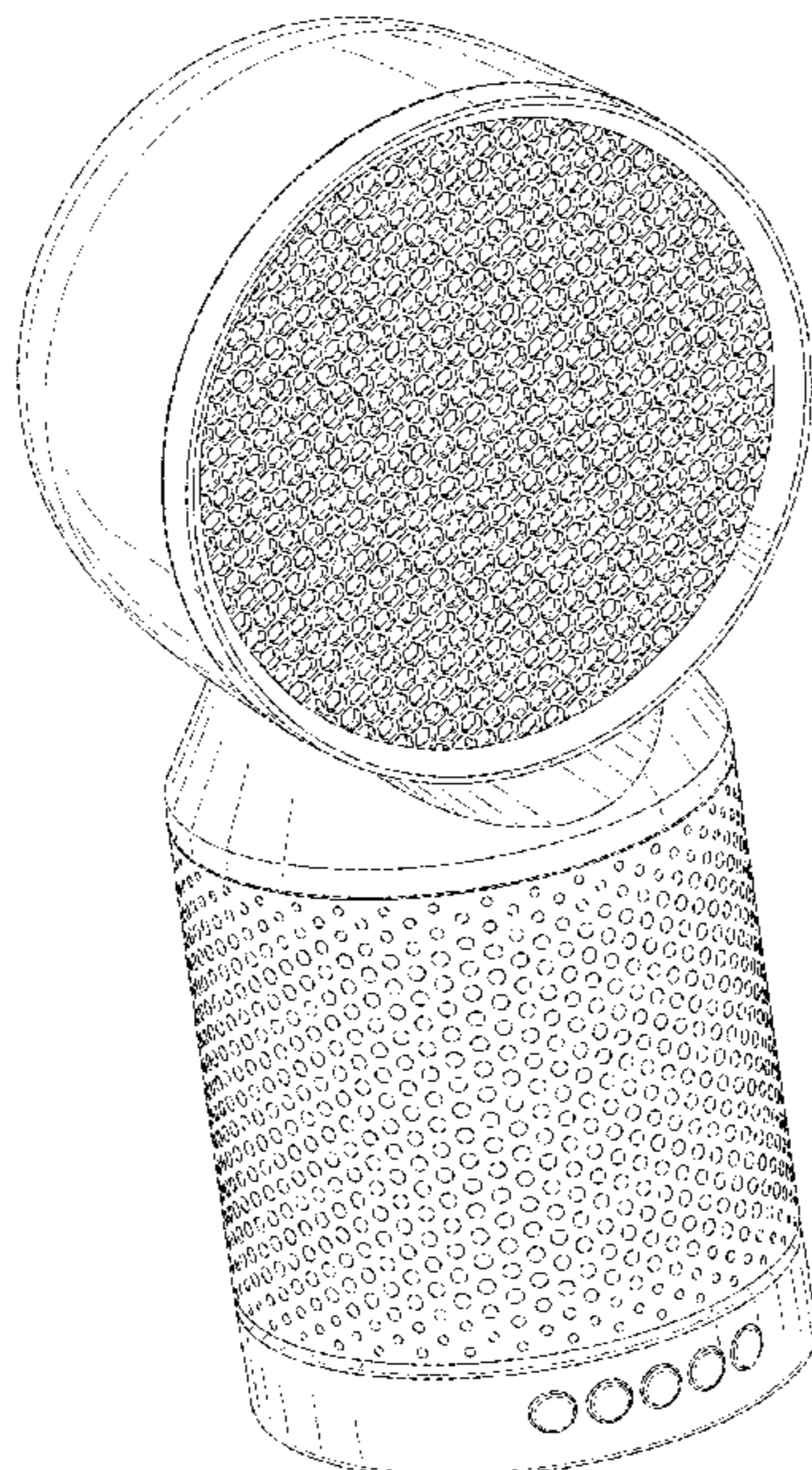
The broken lines in the drawings are for the purpose of illustrating portions of the air purifier that form no part of the claimed design.

(56) **References Cited**

U.S. PATENT DOCUMENTS

D729,374 S \* 5/2015 Dos Reis ..... D23/370  
D729,375 S \* 5/2015 Dos Reis ..... D23/370  
D807,483 S \* 1/2018 Combs ..... D23/364  
D888,929 S \* 6/2020 Peet ..... D23/370  
D890,902 S \* 7/2020 Carling ..... D23/364  
D895,781 S \* 9/2020 Peet ..... D23/370  
D903,846 S \* 12/2020 MacQueen ..... D23/364  
D941,980 S \* 1/2022 Zhang ..... D23/364  
2010/0225012 A1 \* 9/2010 Fitton ..... F24F 13/26  
261/28

**1 Claim, 8 Drawing Sheets**



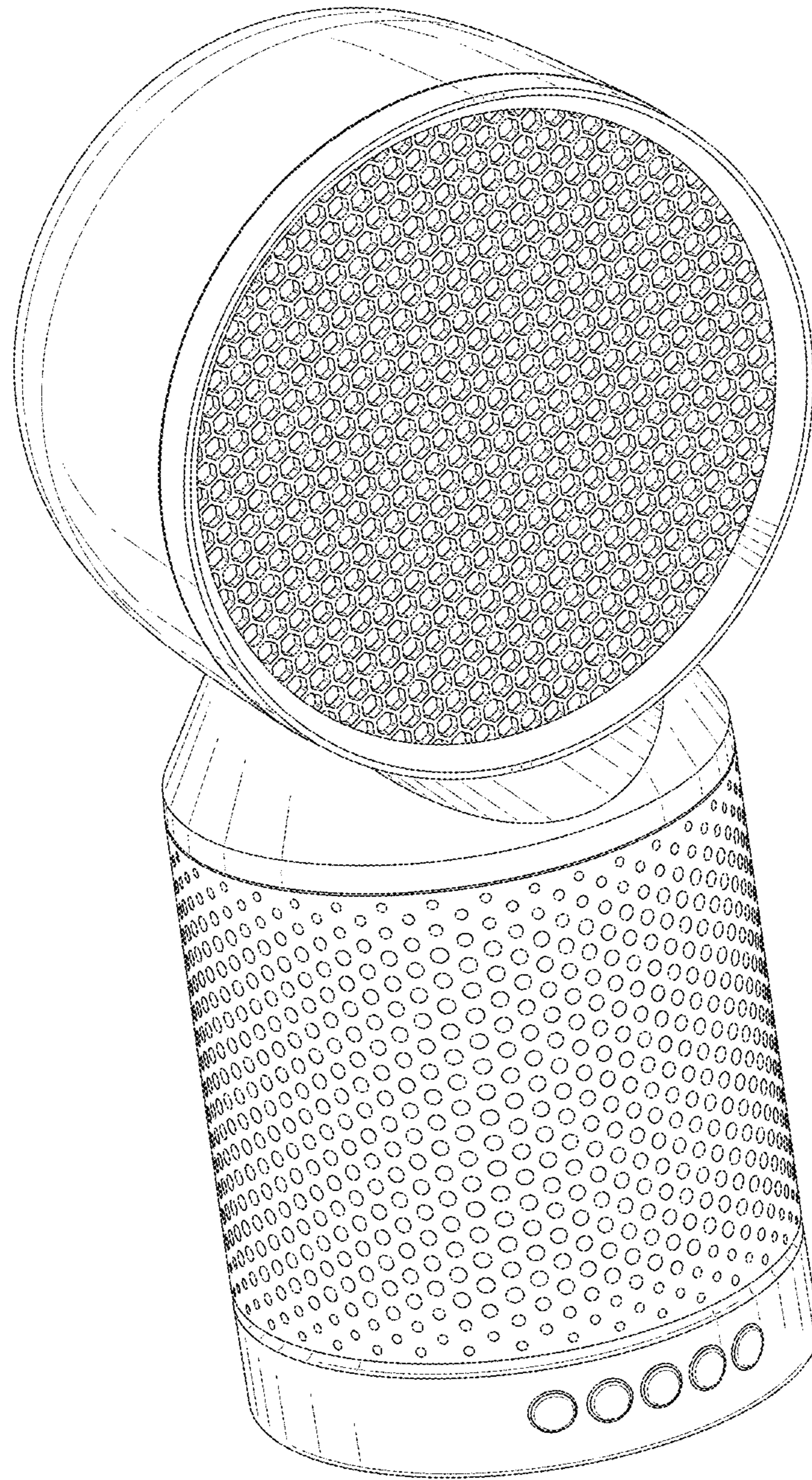


FIG.1

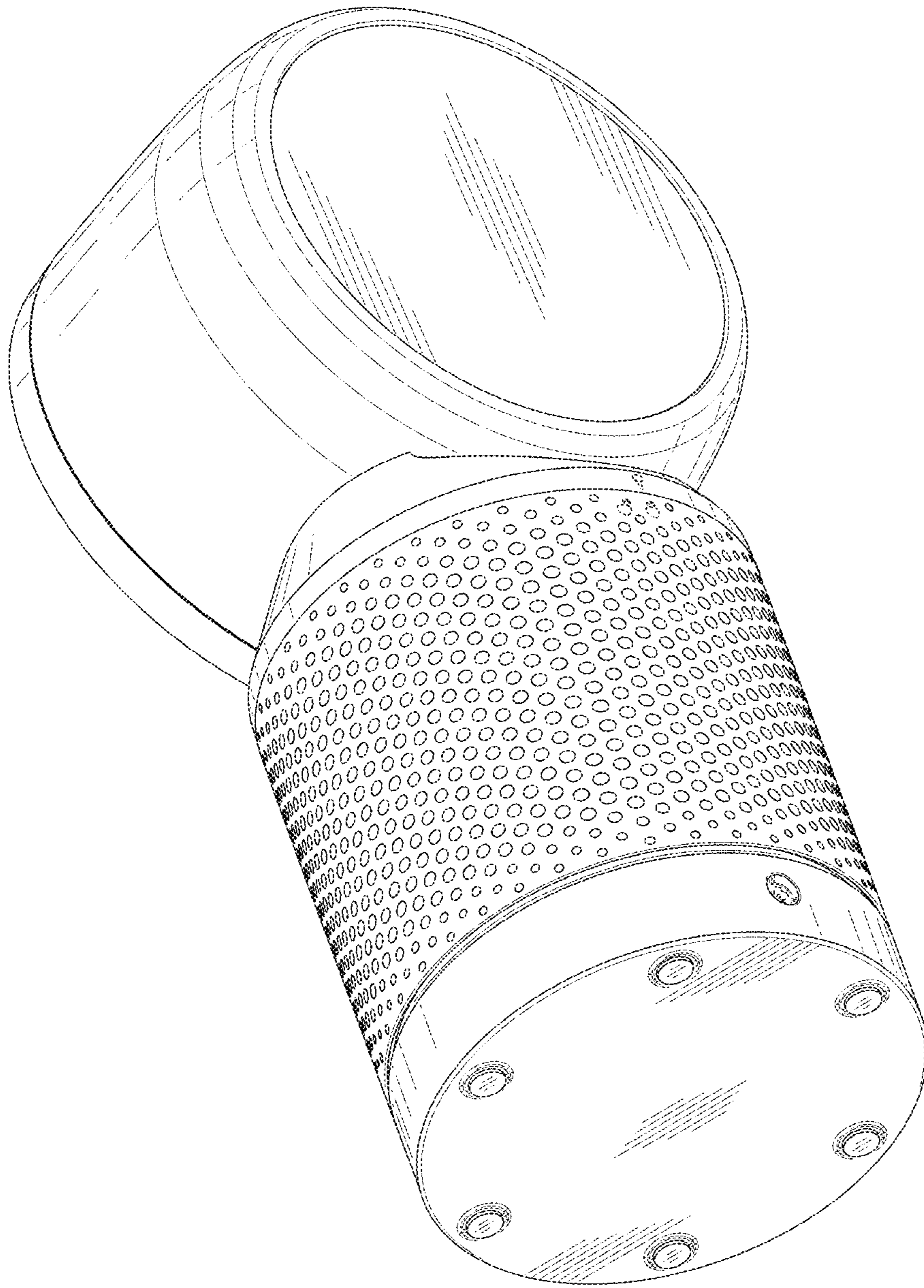


FIG. 2

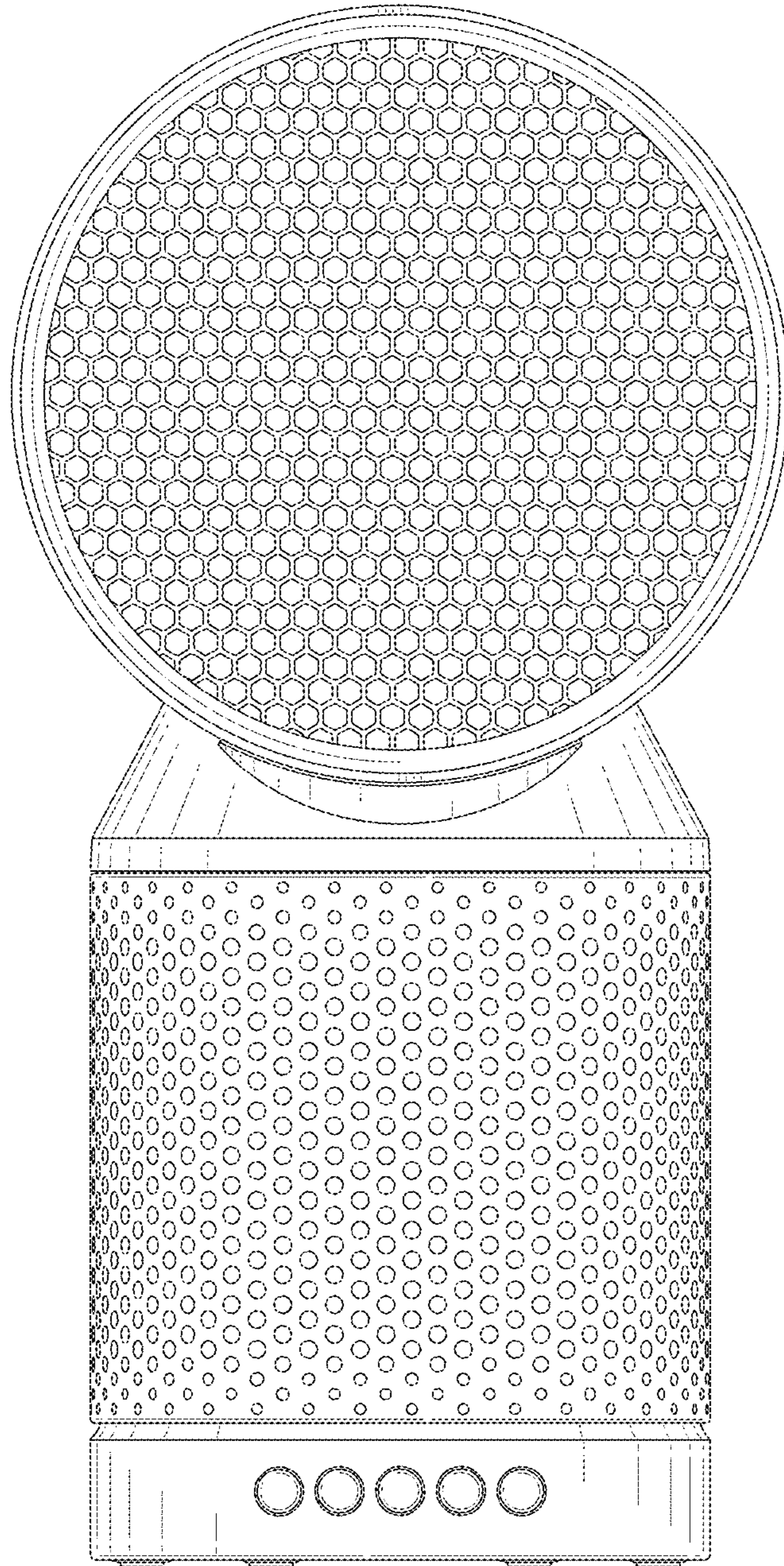


FIG.3

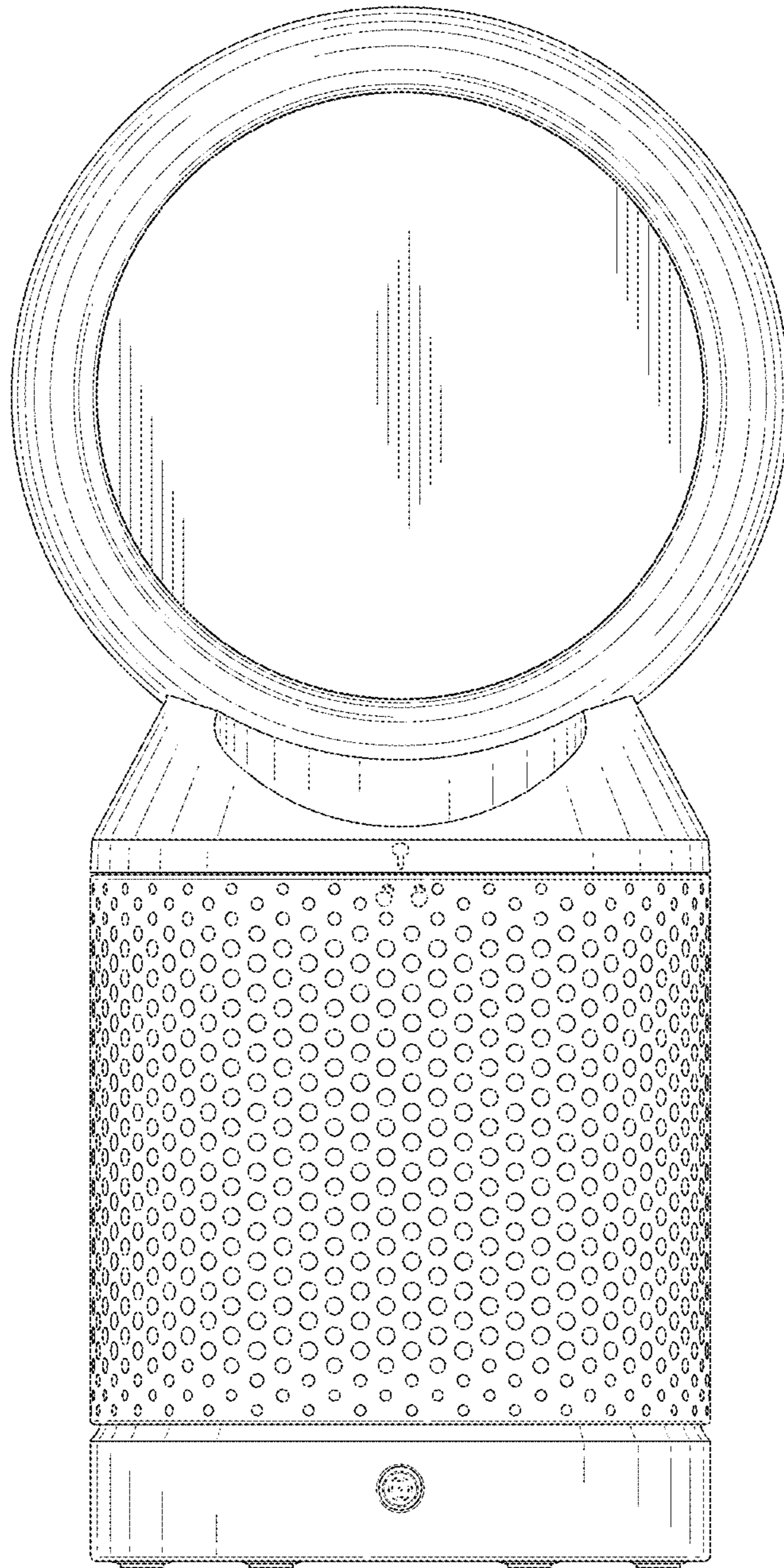


FIG. 4

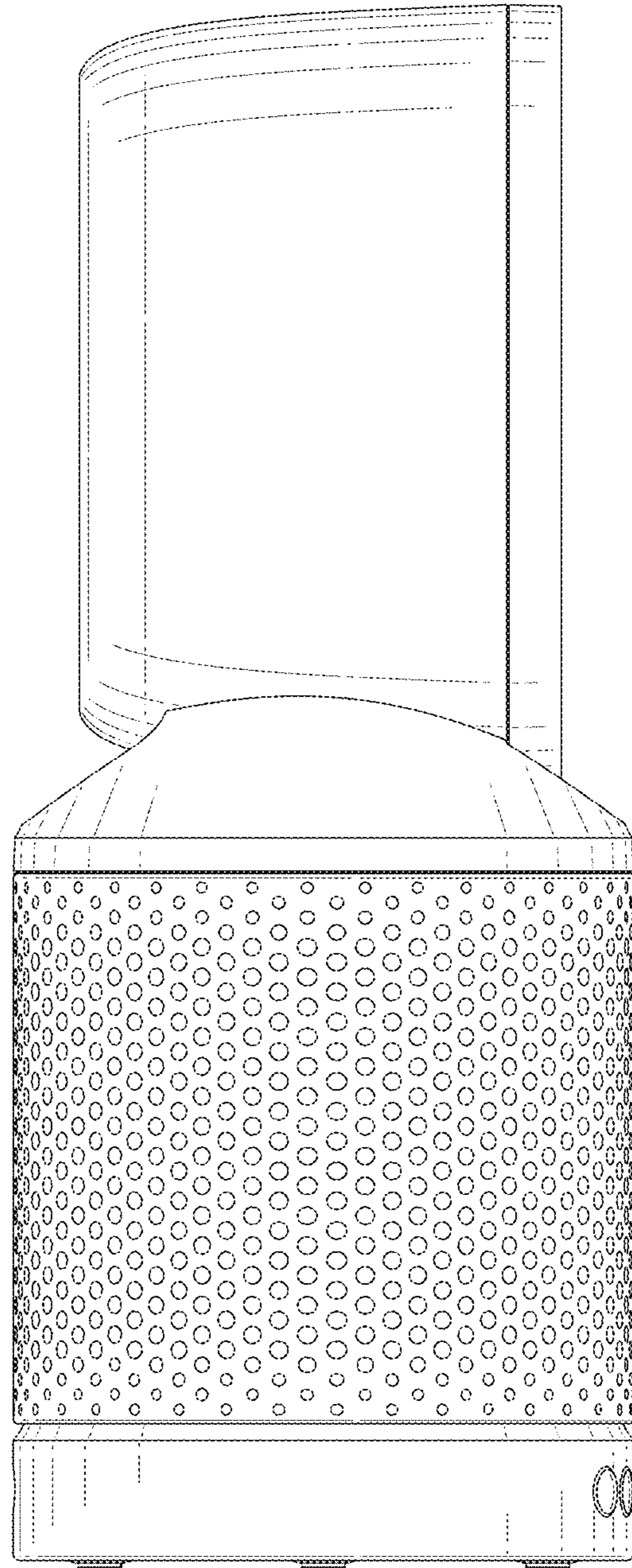


FIG.5

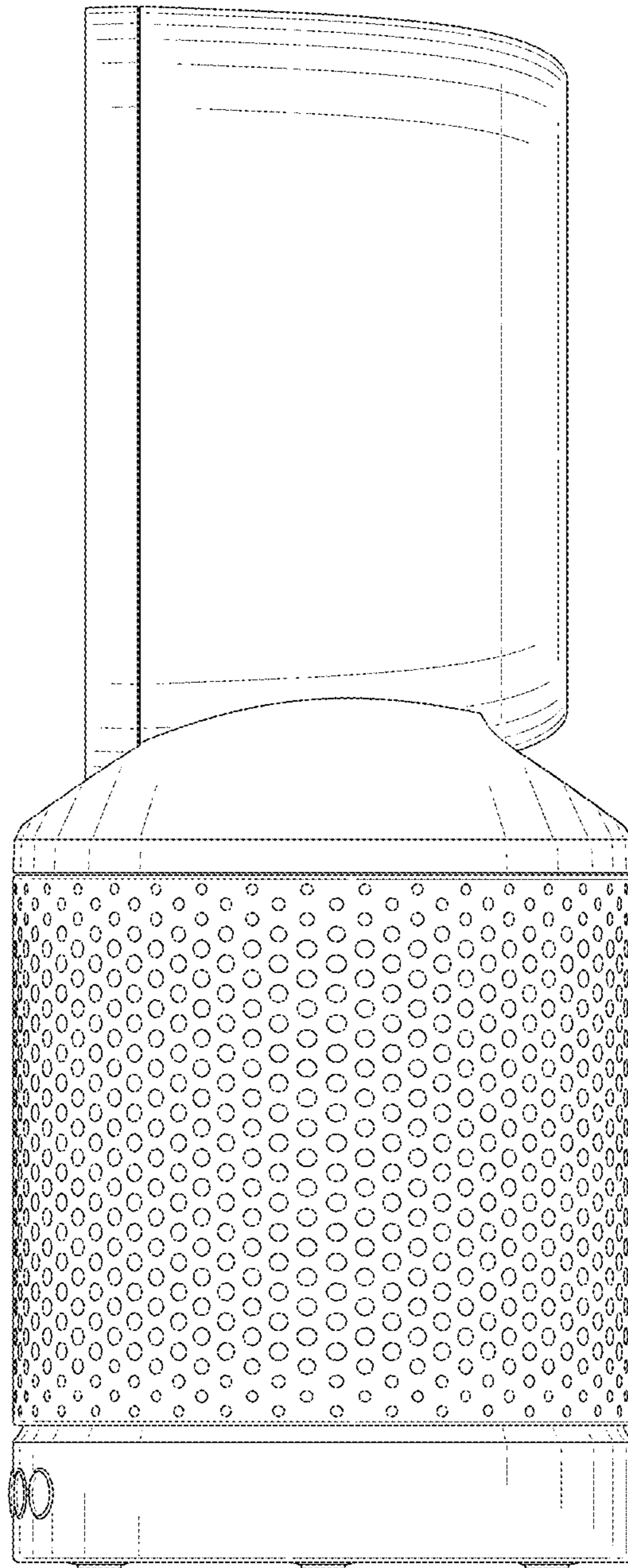


FIG.6

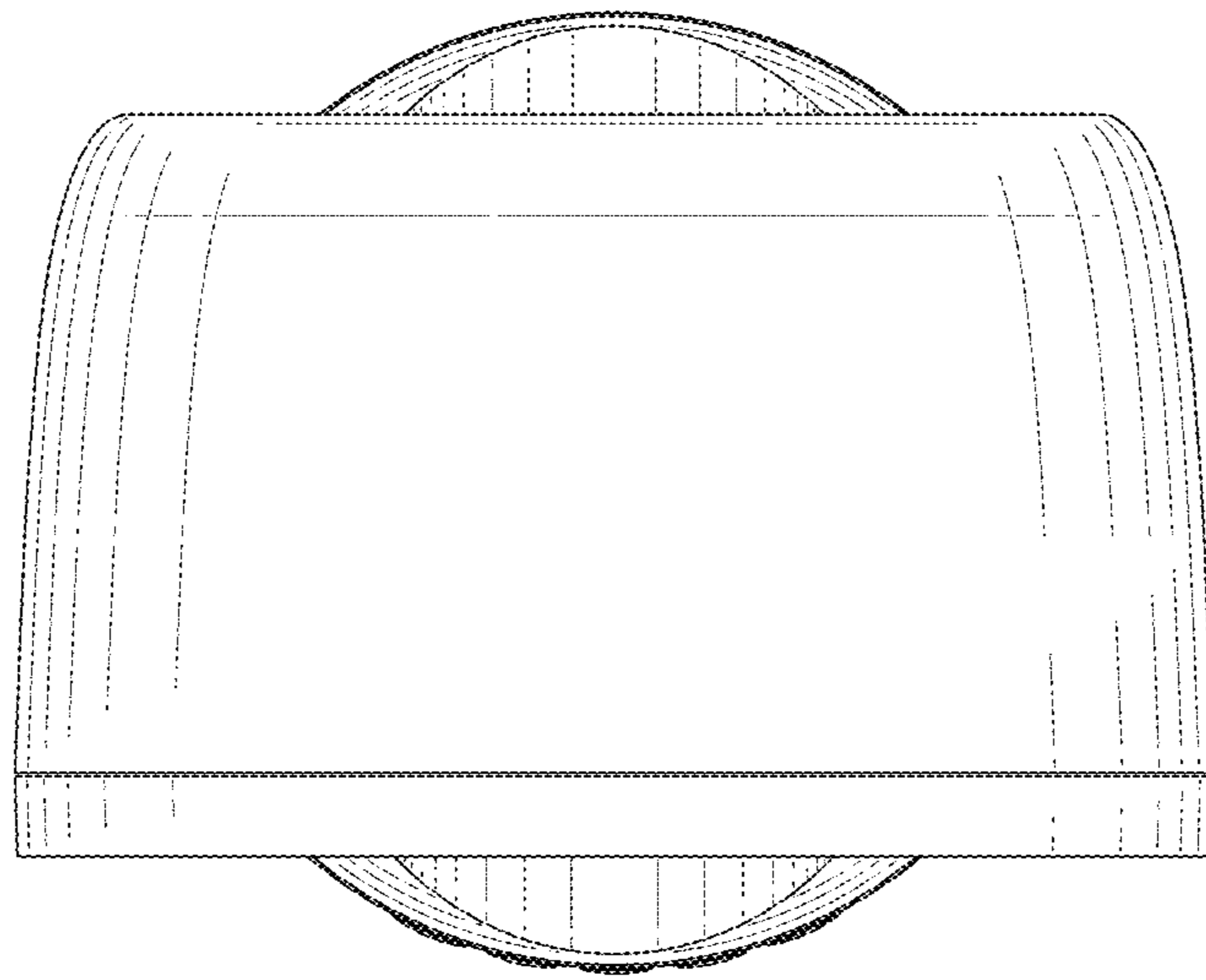


FIG.7



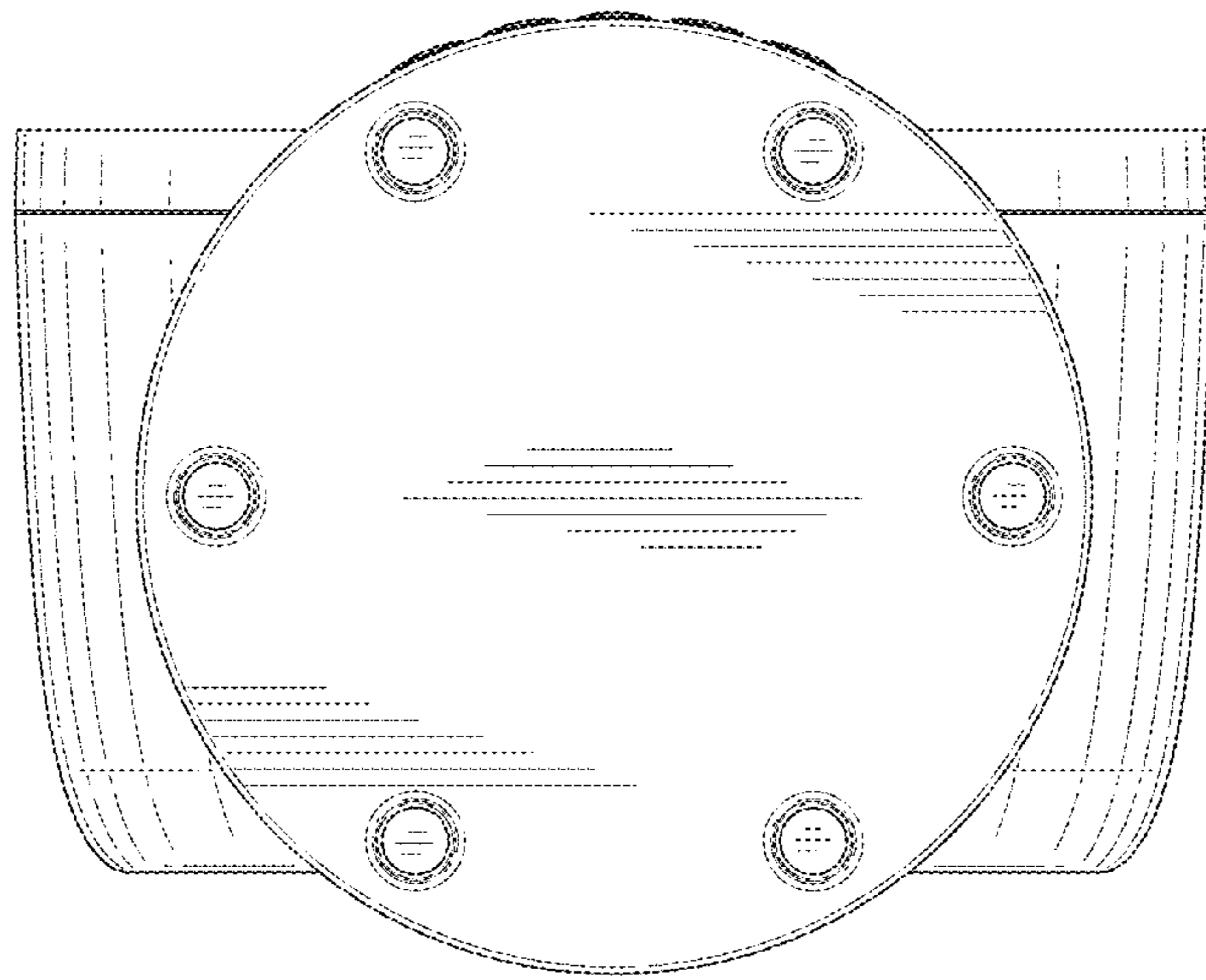


FIG. 8