



US00D959630S

(12) **United States Design Patent** (10) **Patent No.:** **US D959,630 S**  
**Choi et al.** (45) **Date of Patent:** **\*\* Aug. 2, 2022**

(54) **AIR PURIFIER**

FOREIGN PATENT DOCUMENTS

(71) Applicant: **Samsung Electronics Co., Ltd.**,  
Suwon-si (KR)

CN 2013303980309 10/2014  
CN 2017305629207 3/2018

(Continued)

(72) Inventors: **Minkyung Choi**, Suwon-si (KR);  
**Cheolyeon Jo**, Suwon-si (KR);  
**Kangdoon Kim**, Suwon-si (KR)

OTHER PUBLICATIONS

Ember Temperature Control Smart Mug, first available Aug. 26, 2020[online], [site visited Mar. 31, 2022], Available from internet, URL:<<https://www.amazon.com/Ember-Temperature-Control-1-5-hr-Battery/dp/B08GQFZK39?th=1>> (Year: 2020).\*

(Continued)

(73) Assignee: **Samsung Electronics Co., Ltd.**,  
Suwon-si (KR)

(\*\*) Term: **15 Years**

*Primary Examiner* — Barbara Fox

*Assistant Examiner* — Jamaal Rasheed

(21) Appl. No.: **29/750,955**

(74) *Attorney, Agent, or Firm* — NSIP Law

(22) Filed: **Sep. 17, 2020**

(57) **CLAIM**

We claim the ornamental design for an air purifier, as shown and described.

(30) **Foreign Application Priority Data**

**DESCRIPTION**

Mar. 26, 2020 (KR) ..... 30-2020-0013581

(51) **LOC (13) Cl.** ..... **23-04**

(52) **U.S. Cl.**  
USPC ..... **D23/364**

(58) **Field of Classification Search**  
USPC ..... D23/332, 336, 356, 359, 364–365, 378,  
D23/499; D14/204, 214, 240, 314, 496;  
D7/536

CPC ..... F24F 1/029; F24F 1/035; F24F 1/0287;  
F24F 6/06; F24F 6/14; F24F 13/06; F24F

(Continued)

FIG. 1 is a front perspective view of an air purifier showing our new design;

FIG. 2 is a front view thereof;

FIG. 3 is a rear view thereof;

FIG. 4 is a left-side view thereof;

FIG. 5 is a right-side view thereof;

FIG. 6 is a top view thereof;

FIG. 7 is a bottom view thereof;

FIG. 8 is another front perspective view thereof;

FIG. 9 is an enlarged view of the encircled portion in FIG. 1; and,

FIG. 10 is a front perspective view of the air purifier shown in a state of use with the lid portion in a raised position.

The broken lines in the figures depict portions of the air purifier which form no part of the claimed design.

The dot-dash broken lines encircling portions of the claimed design that are illustrated in enlargements form no part of the claimed design.

(56) **References Cited**

U.S. PATENT DOCUMENTS

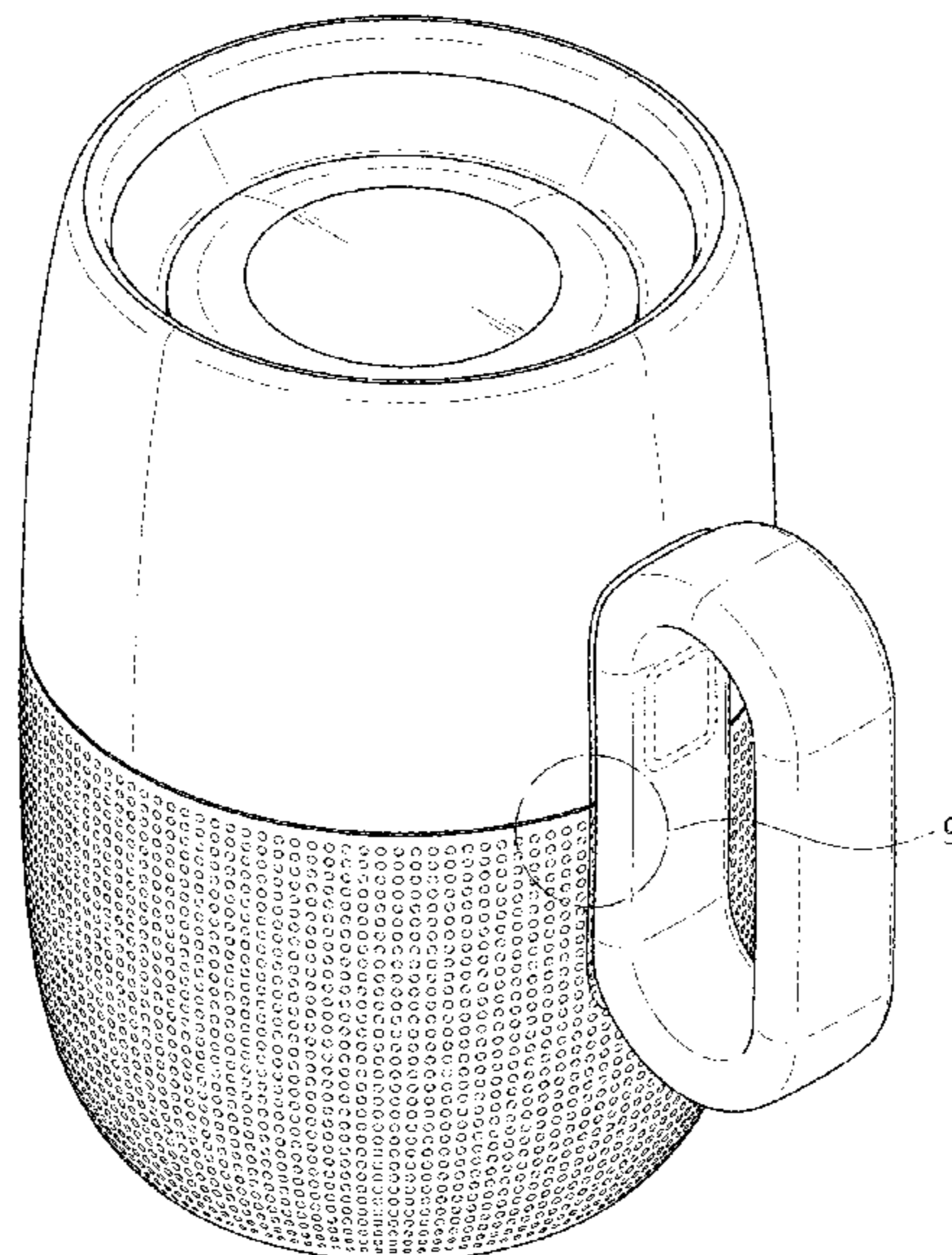
D207,786 S \* 5/1967 Benes ..... D7/319

D222,628 S \* 11/1971 Beckman ..... D7/533

D445,001 S \* 7/2001 Lin ..... D7/533

(Continued)

**1 Claim, 10 Drawing Sheets**



(58) **Field of Classification Search**

CPC ..... 13/20; F24F 13/222; F24F 3/16; F24F  
3/1405; A61L 9/03

See application file for complete search history.

D885,834 S \* 6/2020 Pawluskiewicz ..... D21/710  
D905,657 S \* 12/2020 Zhao ..... D14/203.7  
D937,629 S \* 12/2021 Tsui ..... D7/533

FOREIGN PATENT DOCUMENTS

CN	305023772	* 2/2019
CN	2018307030971	5/2019
CN	2019300056000	8/2019
CN	2019301548500	9/2019

(56) **References Cited**

U.S. PATENT DOCUMENTS

6,447,732 B1 \* 9/2002 West ..... A61L 9/03  
422/126  
D511,072 S \* 11/2005 Trombly ..... D7/533  
D524,107 S \* 7/2006 El-Saden ..... D7/536  
D746,255 S \* 12/2015 Tze-Yen ..... D14/204  
D774,828 S \* 12/2016 Miller ..... D7/532  
D815,904 S \* 4/2018 Lane ..... D7/510  
D822,440 S \* 7/2018 Kuh ..... D7/509  
D832,050 S \* 10/2018 Diener ..... D7/532  
D843,419 S \* 3/2019 Vaclavik ..... D14/496  
D862,677 S \* 10/2019 Li ..... D23/366  
D879,070 S \* 3/2020 Chang ..... D14/207  
D883,746 S \* 5/2020 Betry ..... D7/523  
D884,429 S \* 5/2020 Trachtenberg ..... D7/533

OTHER PUBLICATIONS

JYYT Frosted Ceramic Cup Coffee Cup Mug, first available Oct. 18, 2018[online], [site visited Mar. 31, 2022], Available from internet, URL:<<https://www.amazon.com/JYYT-Frosted-Ceramic-Perfect-Capacity/dp/B07PGKDNKM>> (Year: 2018).\*  
Seth, Radhika. "Steamy Cuppa" [2011] [www.yankodesign.com](http://www.yankodesign.com) Jul. 6, 2011 <<https://www.yankodesign.com/2011/07/06/steamy-cuppa/>>.  
"3 in 1 Air Purifier" [2020] [www.design-noc.com](http://www.design-noc.com) Sep. 17, 2020 <[http://design-noc.com/product/detail.html?product\\_no=22&cate\\_no=53&display\\_group=1](http://design-noc.com/product/detail.html?product_no=22&cate_no=53&display_group=1)>.

\* cited by examiner

FIG. 1

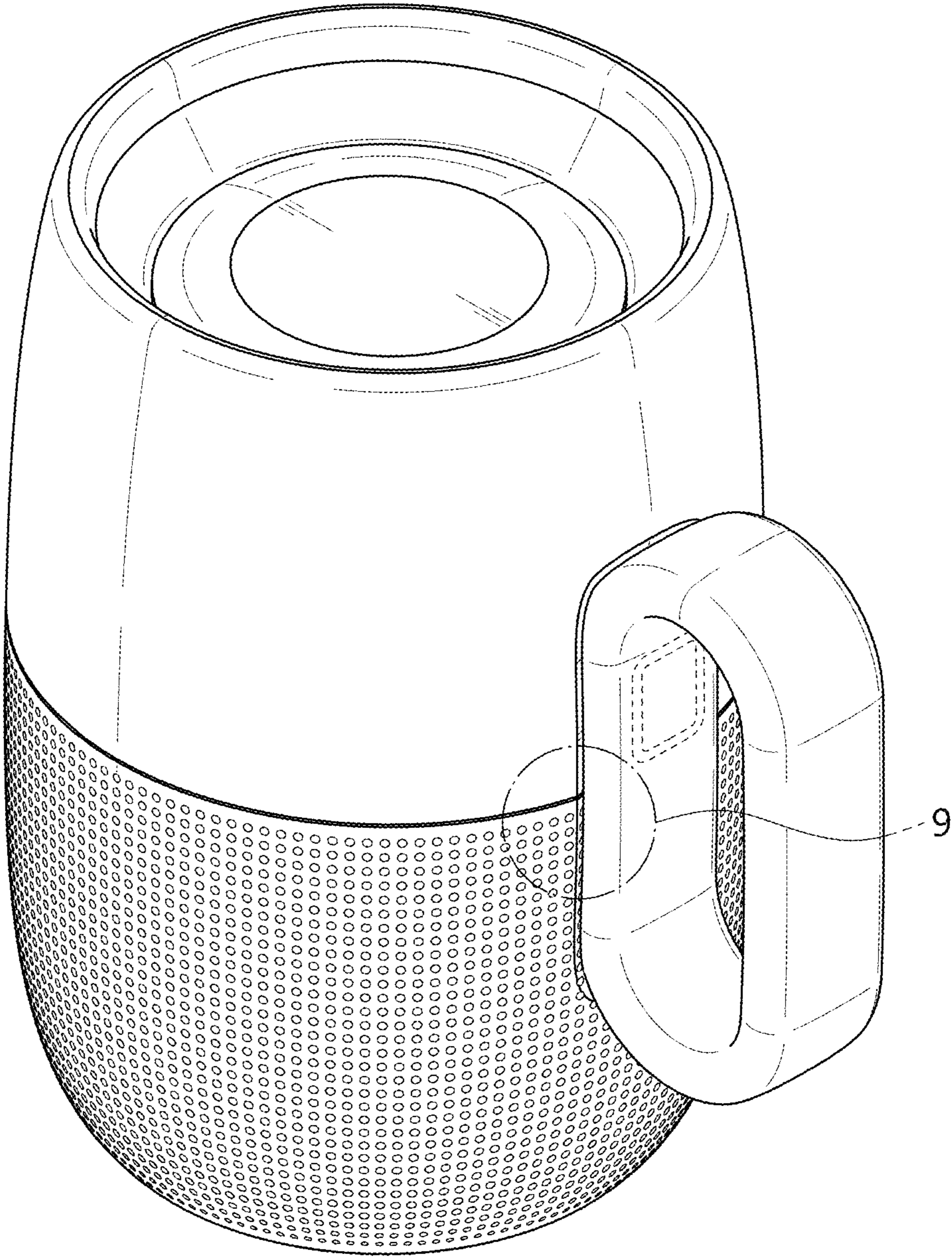


FIG. 2

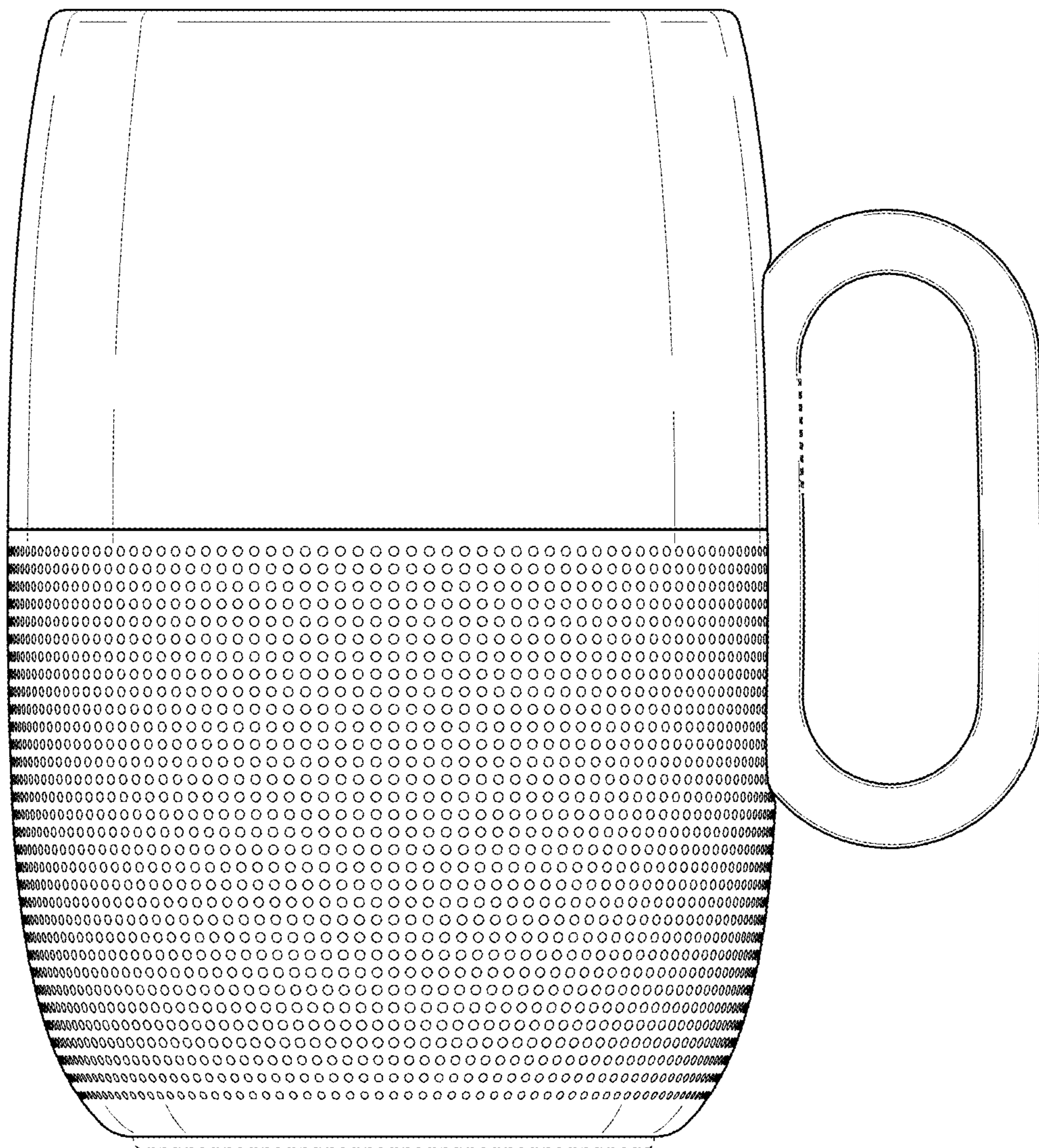


FIG. 3

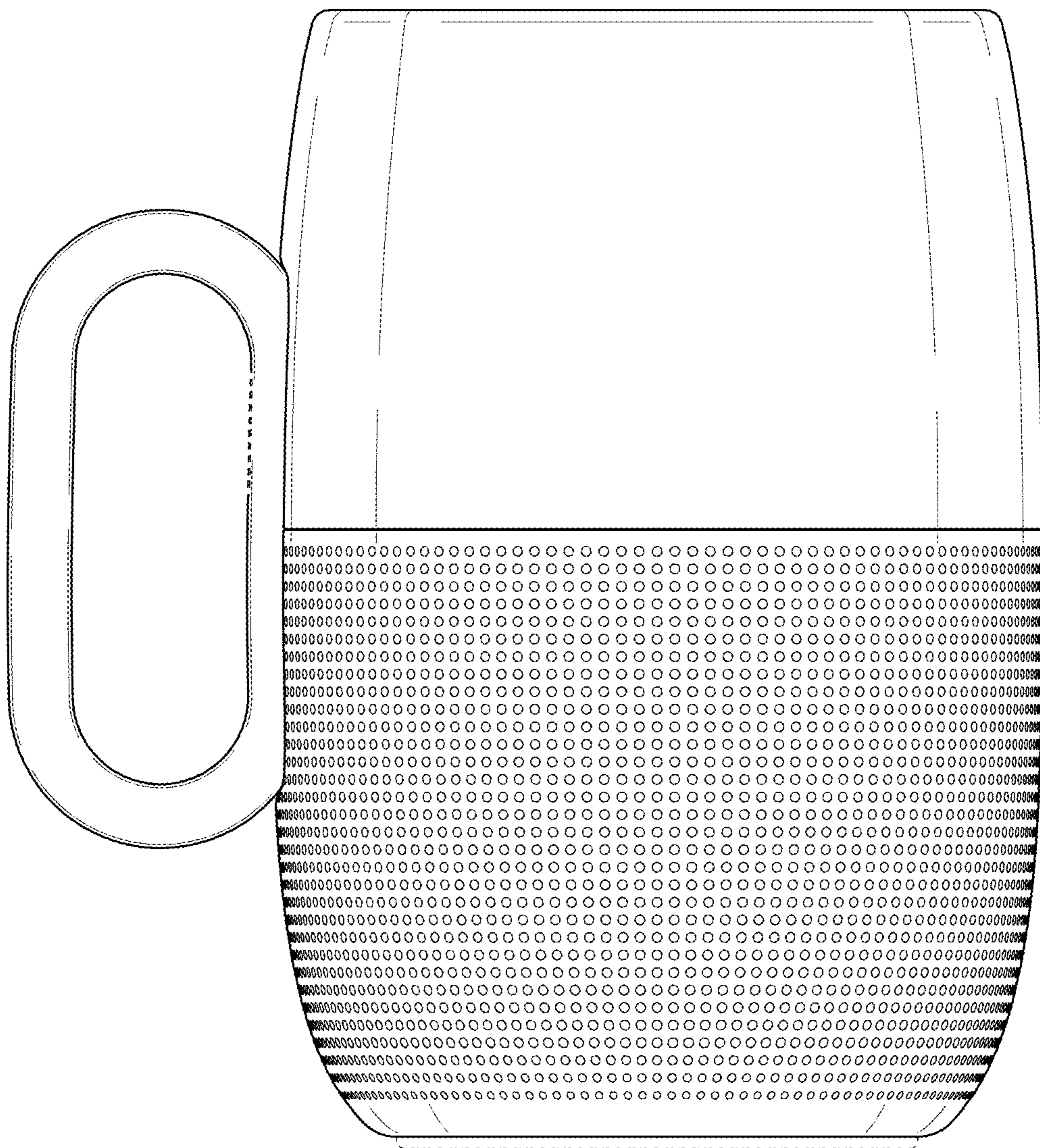


FIG. 4

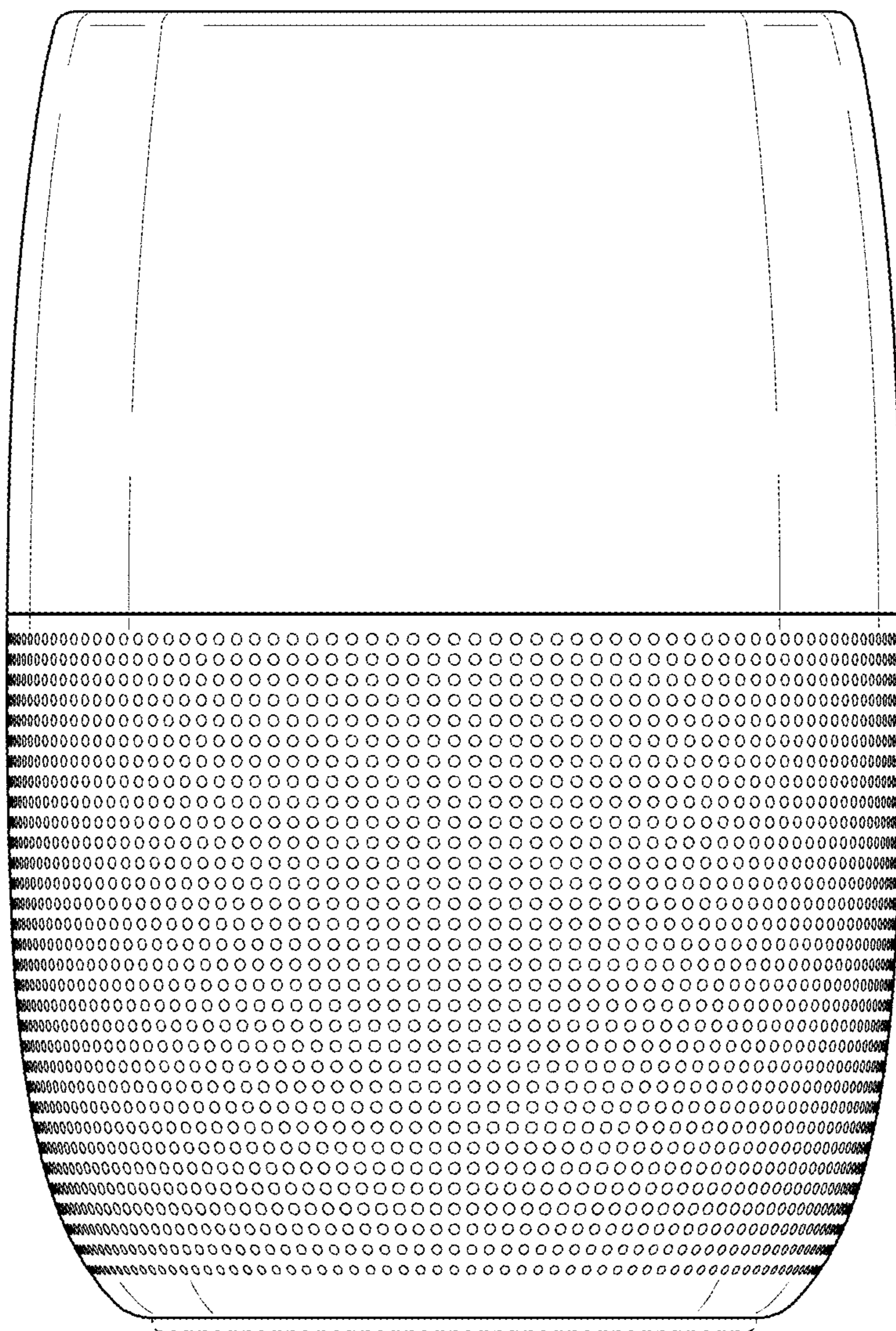


FIG. 5

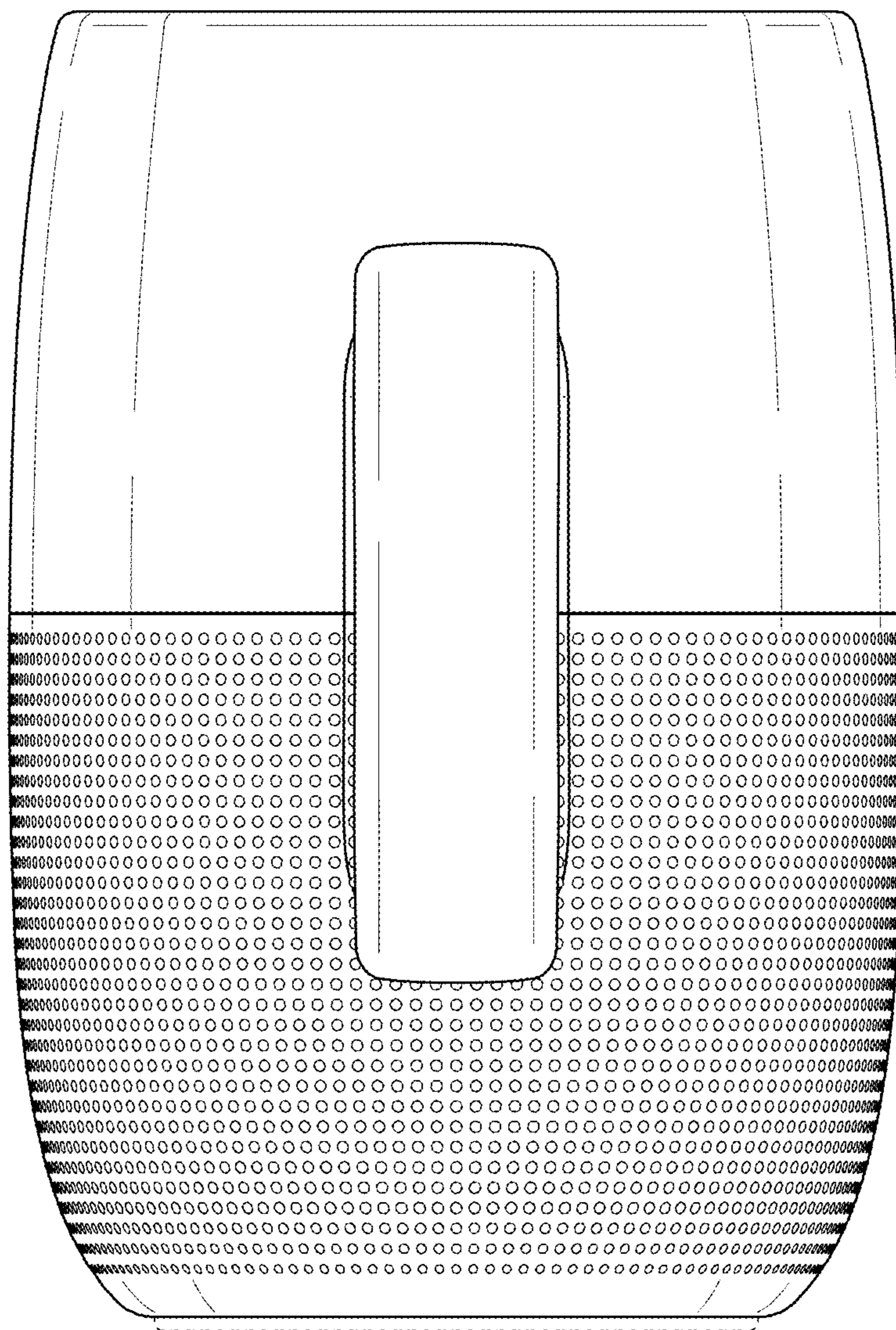


FIG. 6

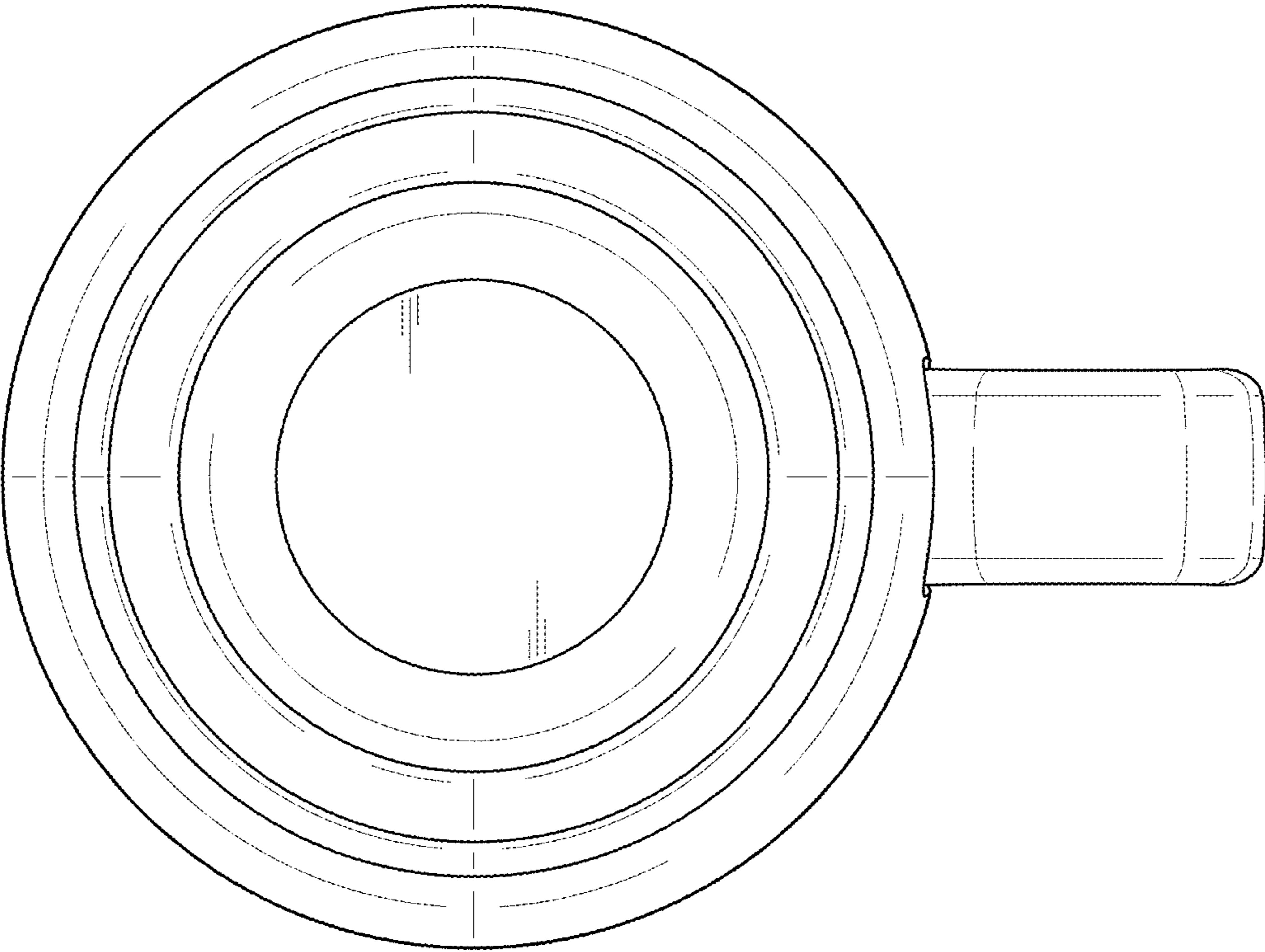




FIG. 7

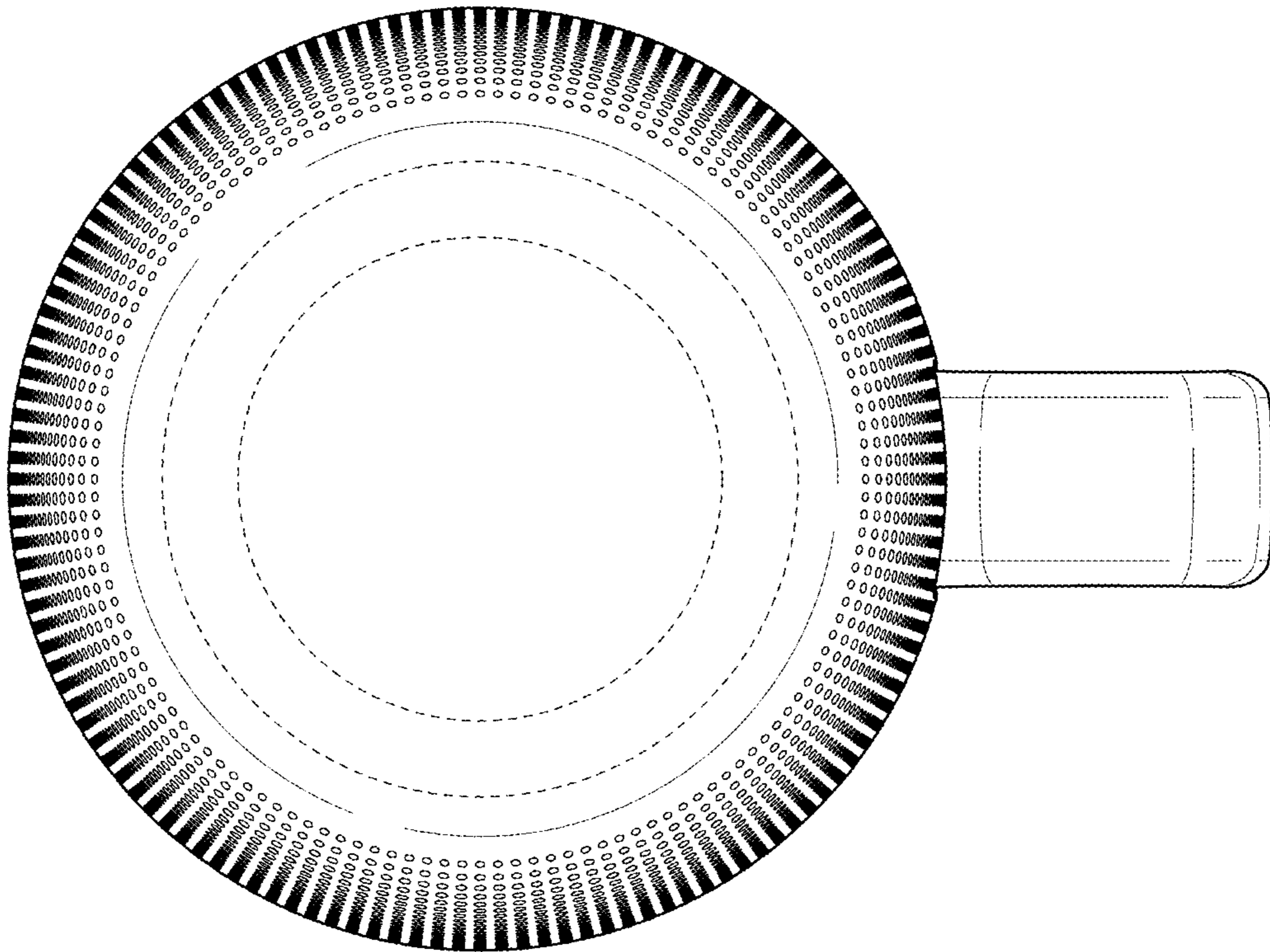


FIG. 8

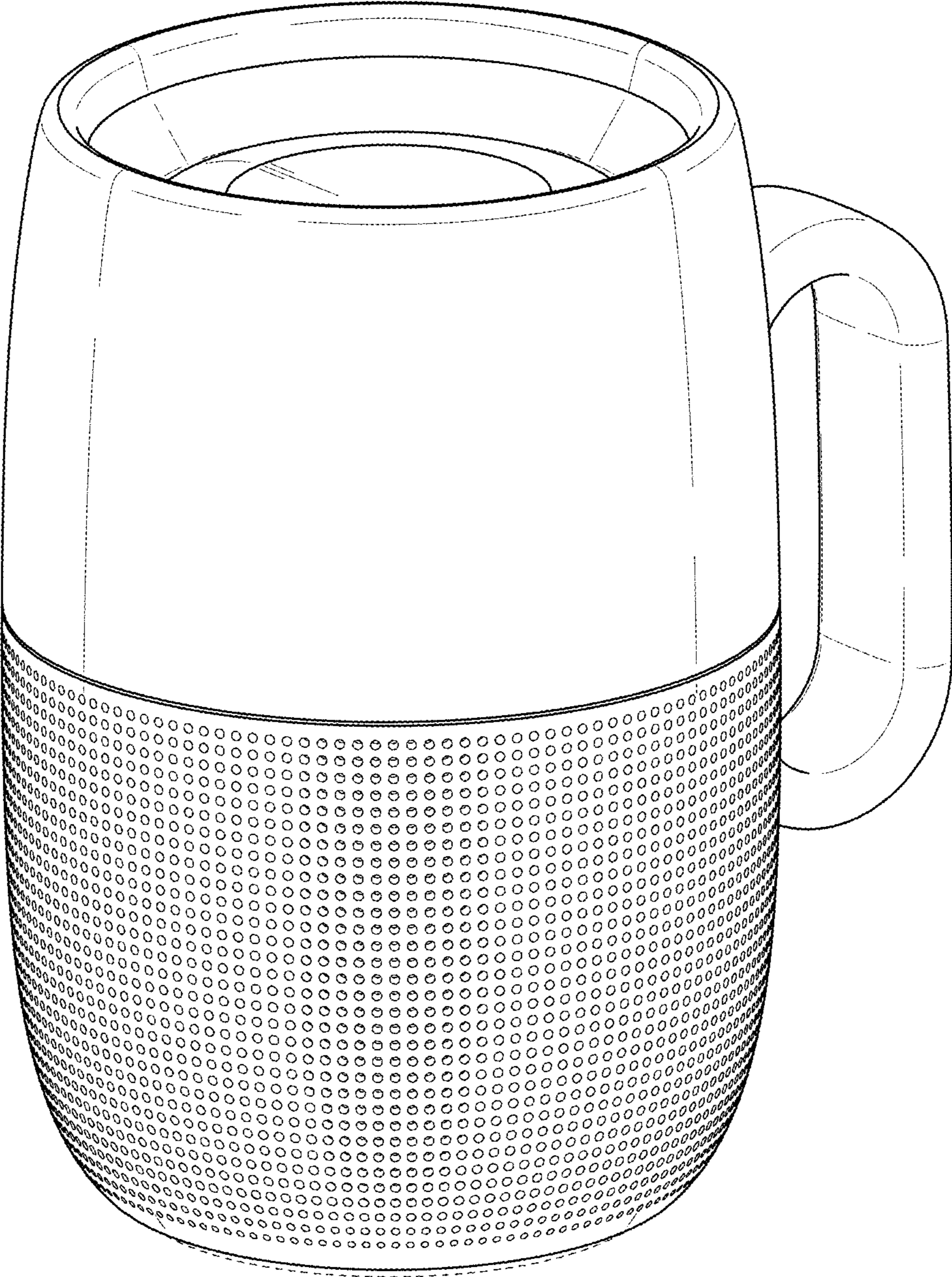


FIG. 9

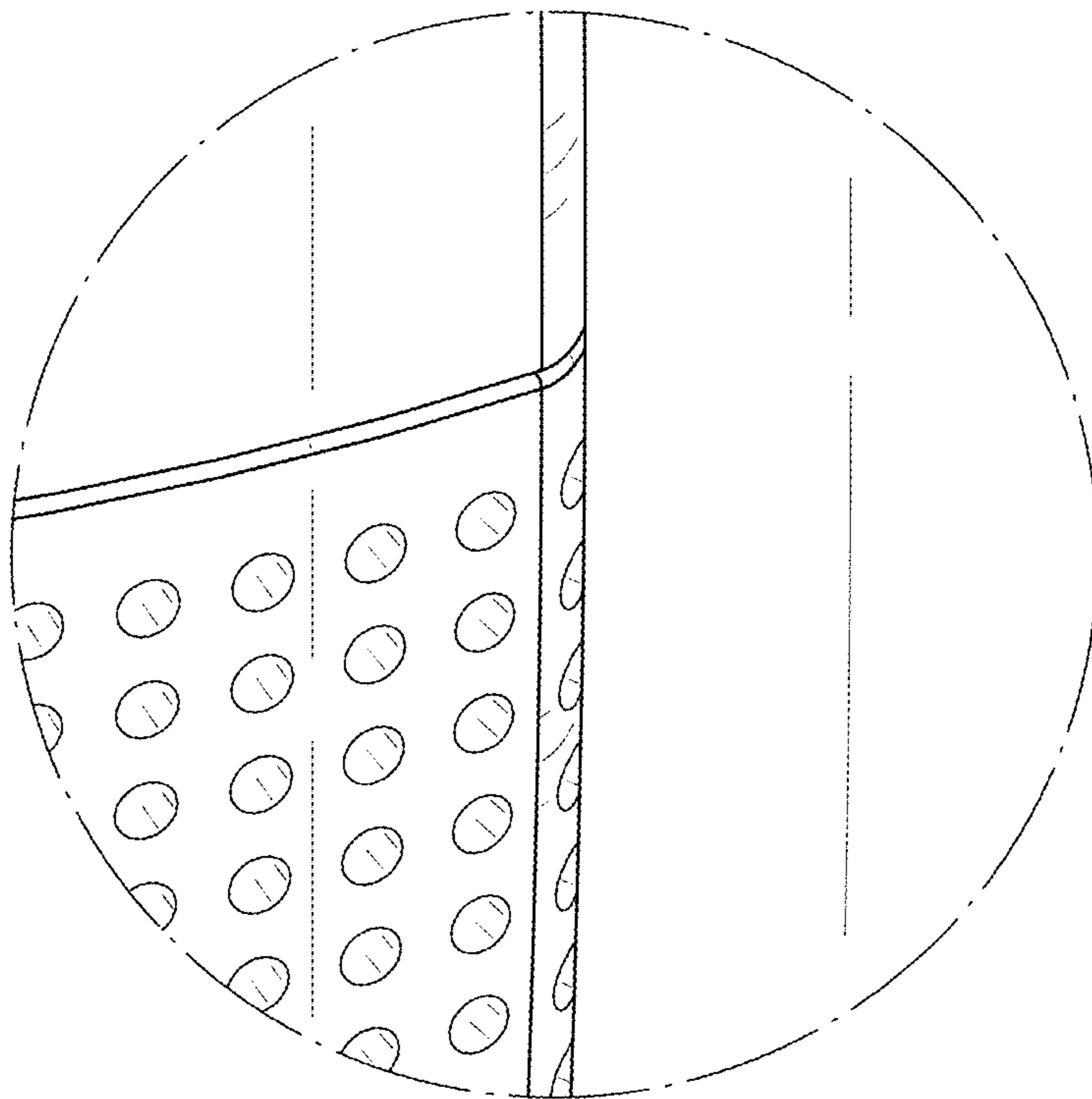


FIG. 10

