



US00D959628S

(12) **United States Design Patent** (10) **Patent No.:** **US D959,628 S**  
**Kyung et al.** (45) **Date of Patent:** **\*\* Aug. 2, 2022**

(54) **AIR PURIFIER**

(71) Applicant: **Coway Co., Ltd.**,  
Choongcheongnam-do (KR)

(72) Inventors: **Mi-Youn Kyung**, Seoul (KR); **Ga Hee Kim**, Seoul (KR)

(73) Assignee: **COWAY CO., LTD.**,  
Choongcheongnam-do (KR)

(\*\*) Term: **15 Years**

(21) Appl. No.: **29/740,603**

(22) Filed: **Jul. 6, 2020**

(30) **Foreign Application Priority Data**

Jan. 6, 2020 (KR) ..... 30-2020-0000554  
Jan. 6, 2020 (KR) ..... 30-2020-0000557

(51) **LOC (13) Cl.** ..... **23-04**

(52) **U.S. Cl.**  
USPC ..... **D23/364**

(58) **Field of Classification Search**  
USPC ..... D23/356, 359, 364-365, 378, 499  
CPC ..... F24F 1/029; F24F 1/035; F24F 1/0287;  
F24F 6/06; F24F 6/14; F24F 13/06; F24F  
13/20; F24F 13/222; F24F 3/16; F24F  
3/1405; F24F 3/1603; A61L 9/03  
See application file for complete search history.

(56) **References Cited**

**U.S. PATENT DOCUMENTS**

3,274,919 A \* 9/1966 Wegman ..... F24F 1/031  
62/262  
D215,719 S \* 10/1969 Julkenbeck ..... D23/356  
D307,936 S \* 5/1990 Hirano ..... D23/364  
5,853,625 A \* 12/1998 Kensok ..... F24F 6/043  
239/289  
D810,259 S \* 2/2018 You ..... D23/364  
D883,460 S \* 5/2020 Kosuge ..... D23/351

10,900,671 B2 \* 1/2021 Bae ..... B01D 46/58  
D914,864 S \* 3/2021 Roblin ..... D23/365  
D930,804 S \* 9/2021 Kyung ..... D23/364  
D936,200 S \* 11/2021 Yang ..... D23/364  
2011/0291305 A1 \* 12/2011 Choi ..... F24F 13/20  
261/30

**FOREIGN PATENT DOCUMENTS**

CN 303299405 \* 7/2015  
CN 303989580 \* 12/2016  
KR 301041499.0000 \* 1/2020

**OTHER PUBLICATIONS**

Coway AP-1720H True HEPA Air Purifier, first available Sep. 1, 2020[online], [site visited Mar. 8, 2022]. Available from internet, URL:<<https://www.amazon.ca/dp/B08H4DZ5MD>> (Year: 2020).\*

\* cited by examiner

*Primary Examiner* — Barbara Fox

*Assistant Examiner* — Jamaal Rasheed

(74) *Attorney, Agent, or Firm* — Millen, White, Zelano & Branigan, P.C.; William Nixon

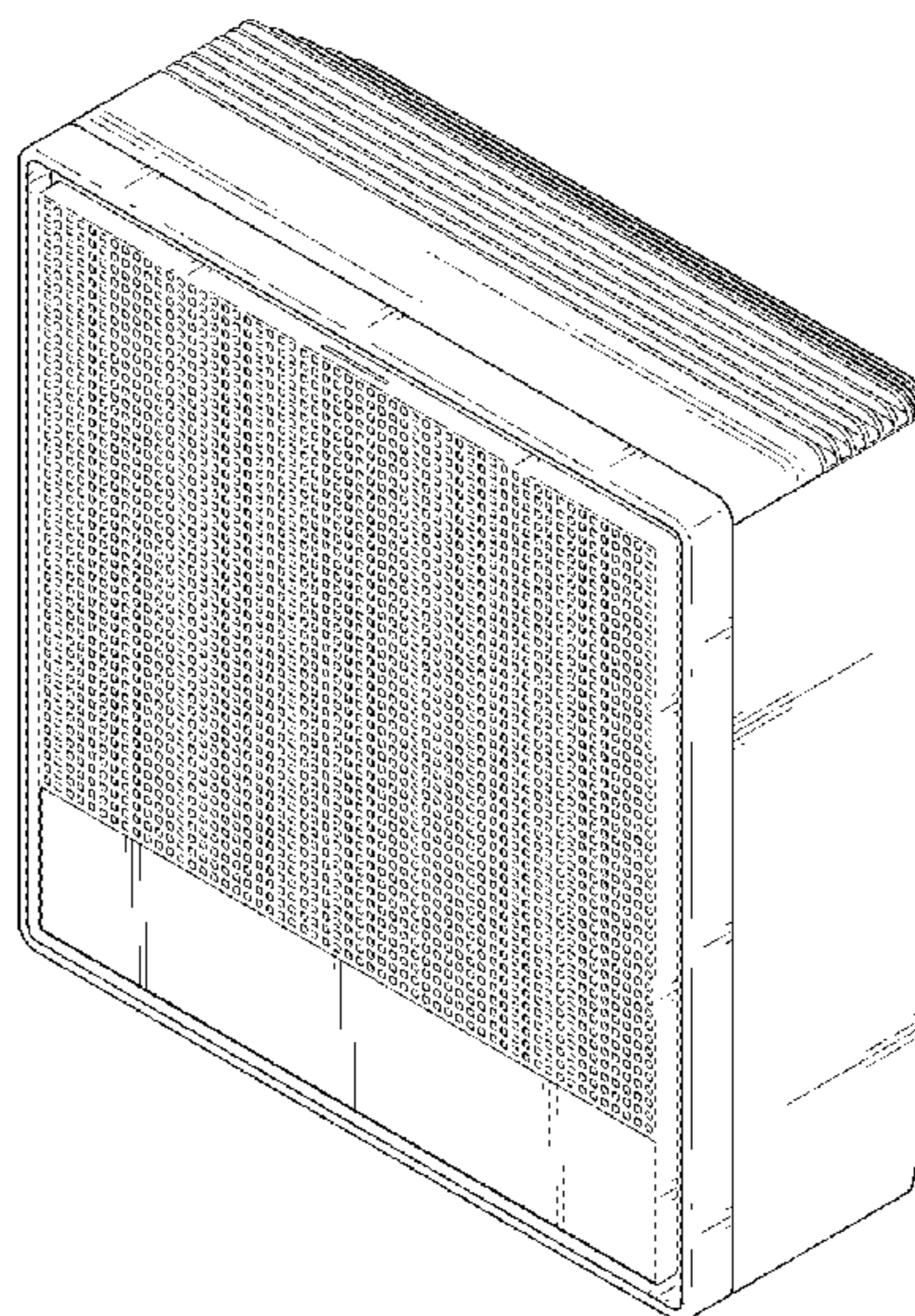
(57) **CLAIM**

The ornamental design for an air purifier, as shown and described.

**DESCRIPTION**

FIG. 1 illustrates a front perspective view of an air purifier showing our new design;  
FIG. 2 illustrates a front elevational view thereof;  
FIG. 3 illustrates a rear elevational view thereof;  
FIG. 4 illustrates a left side elevational view thereof;  
FIG. 5 illustrates a right side elevational view thereof;  
FIG. 6 illustrates a top plan view thereof; and,  
FIG. 7 illustrates a bottom plan view thereof.  
The broken lines in the drawings depict portions of the air purifier that form no part of the claimed design.

**1 Claim, 7 Drawing Sheets**



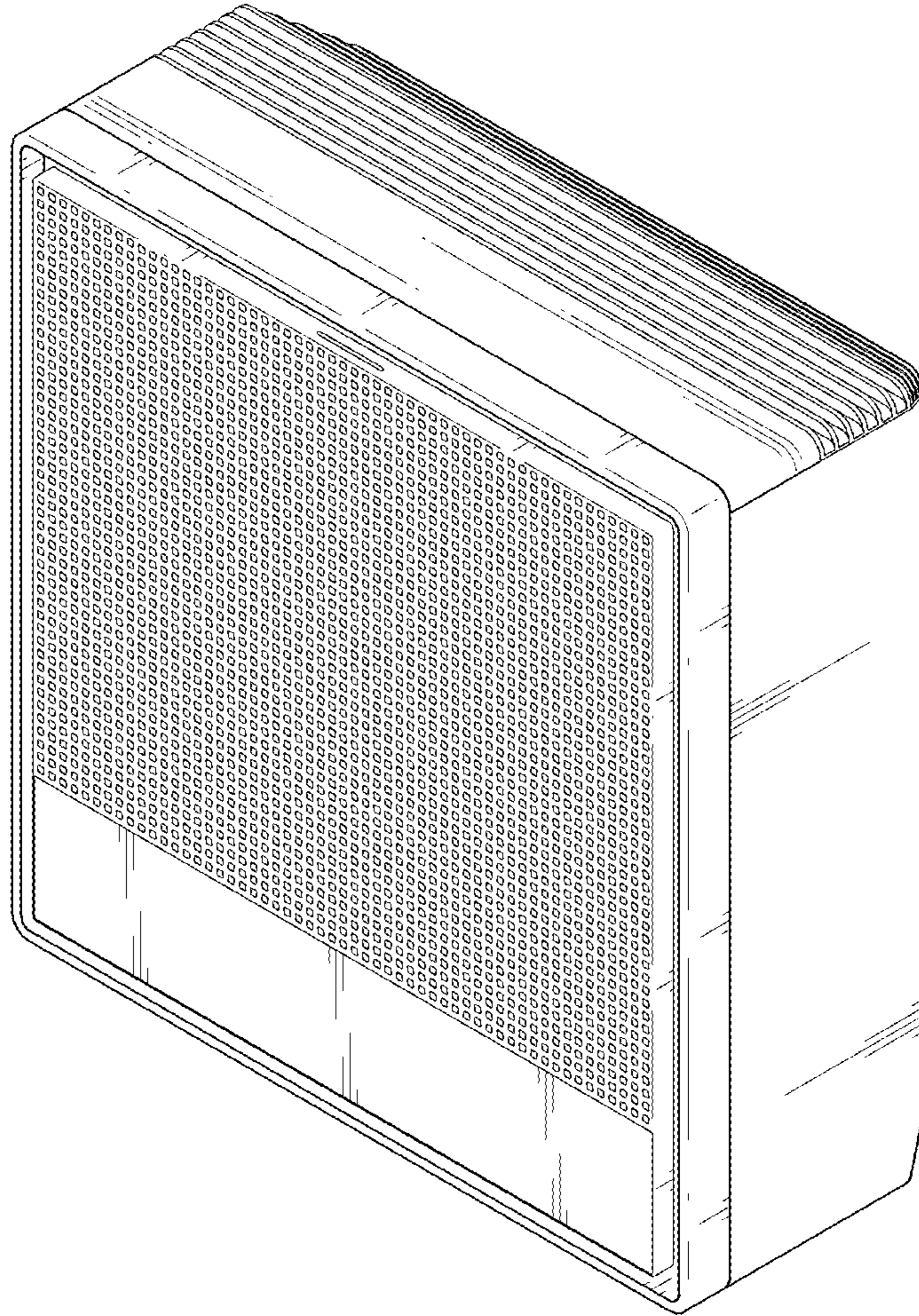


FIG. 1

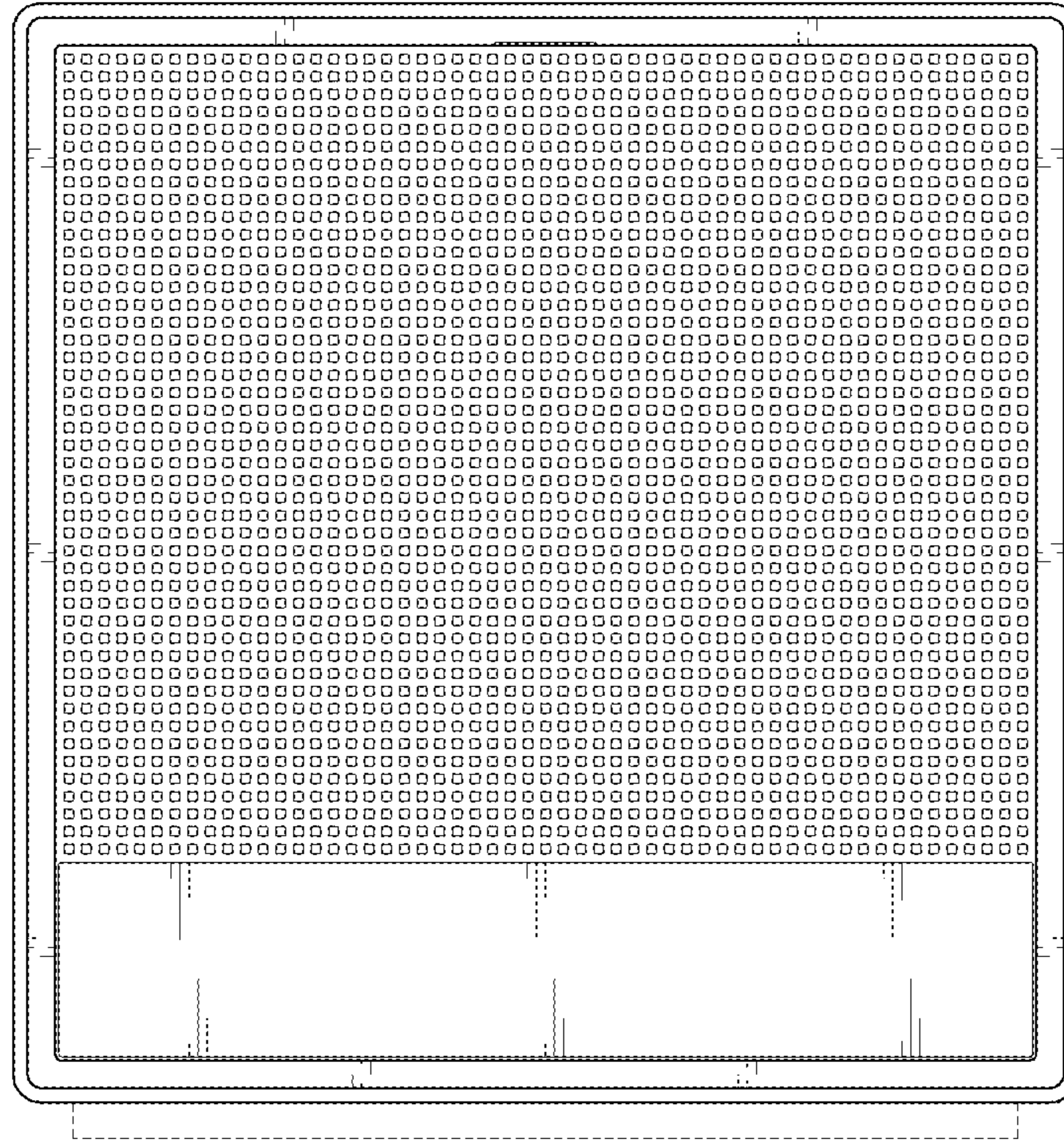


FIG. 2

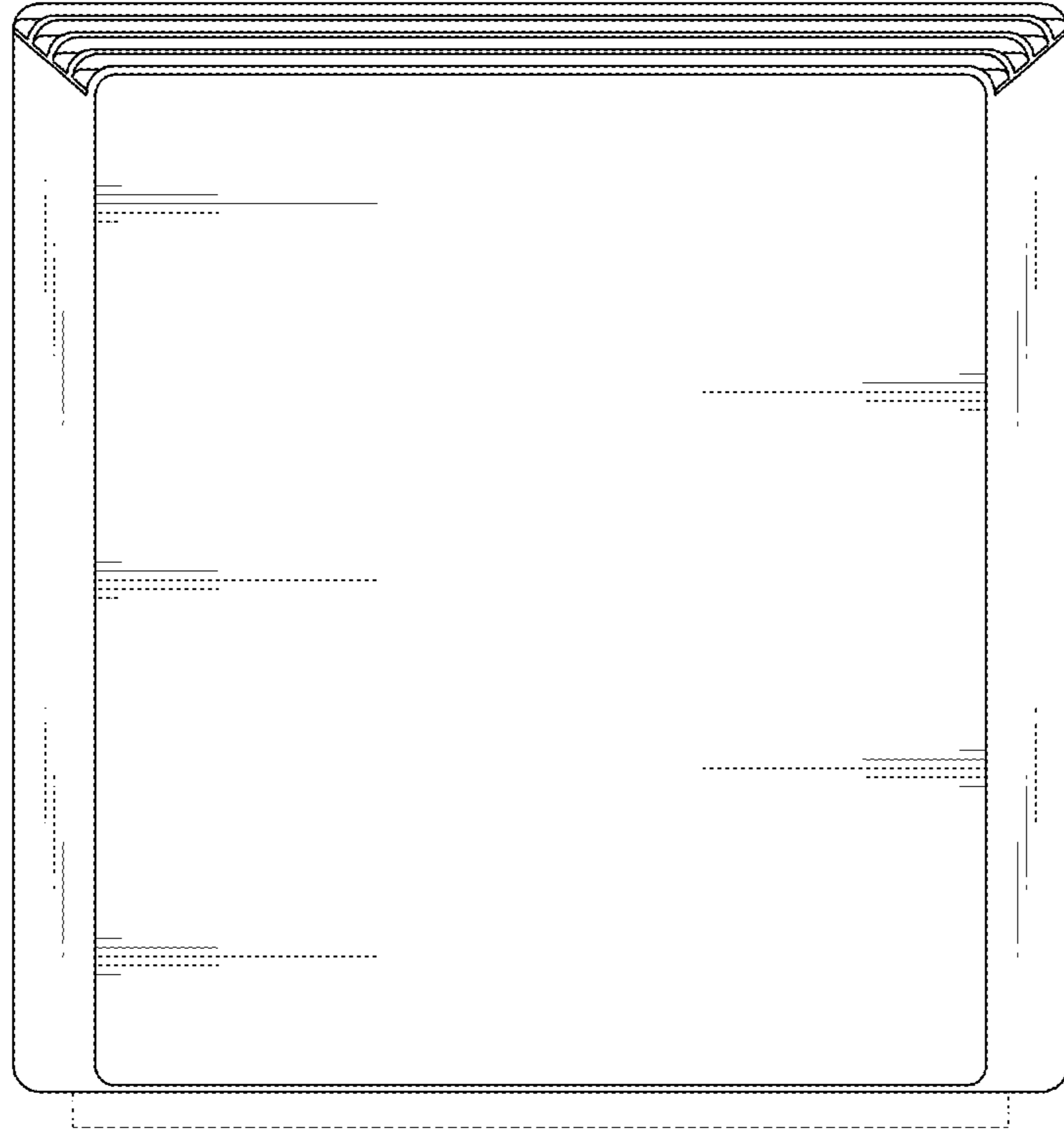


FIG. 3

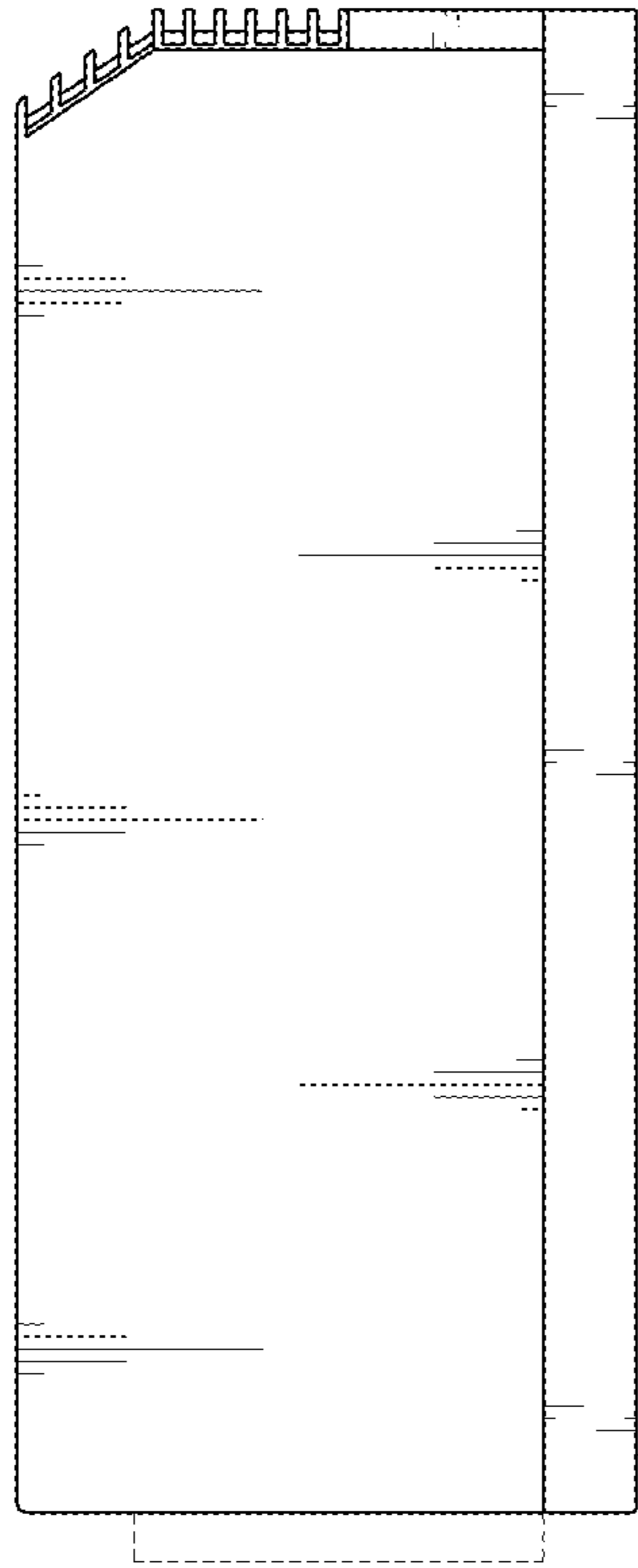


FIG. 4

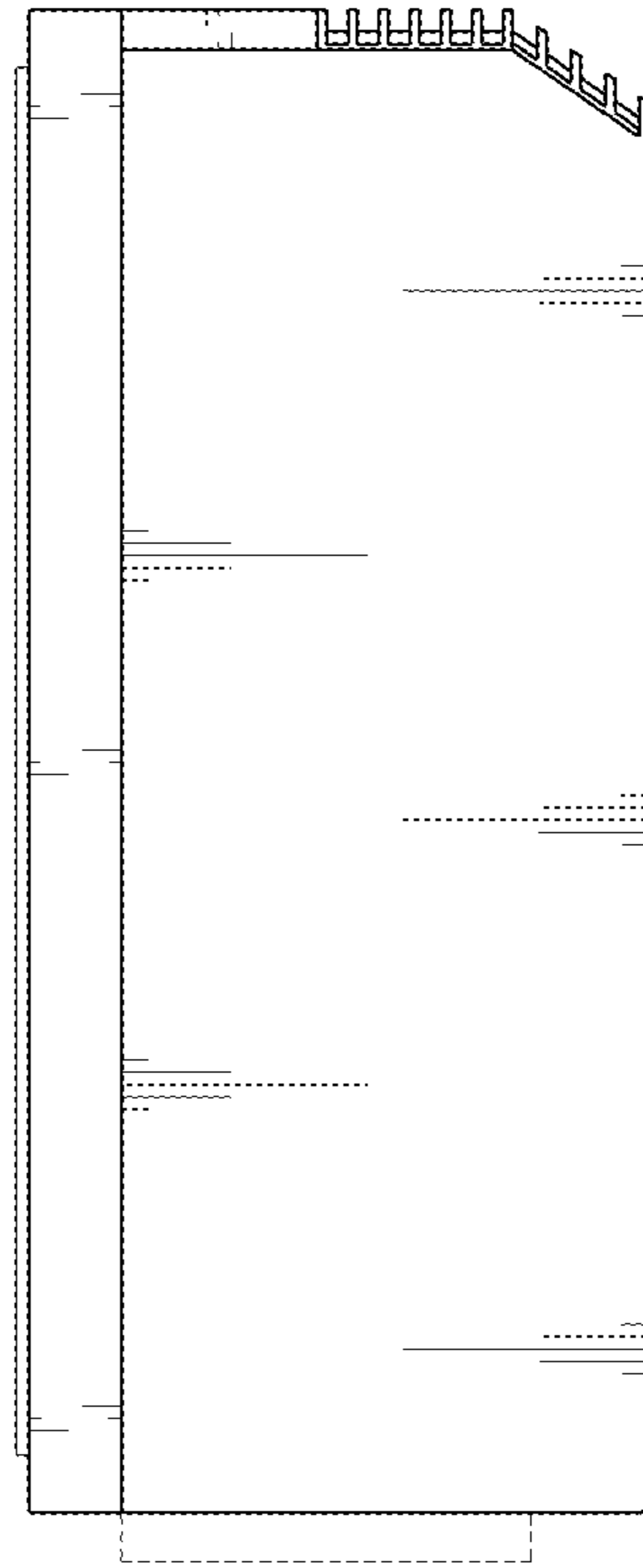


FIG. 5

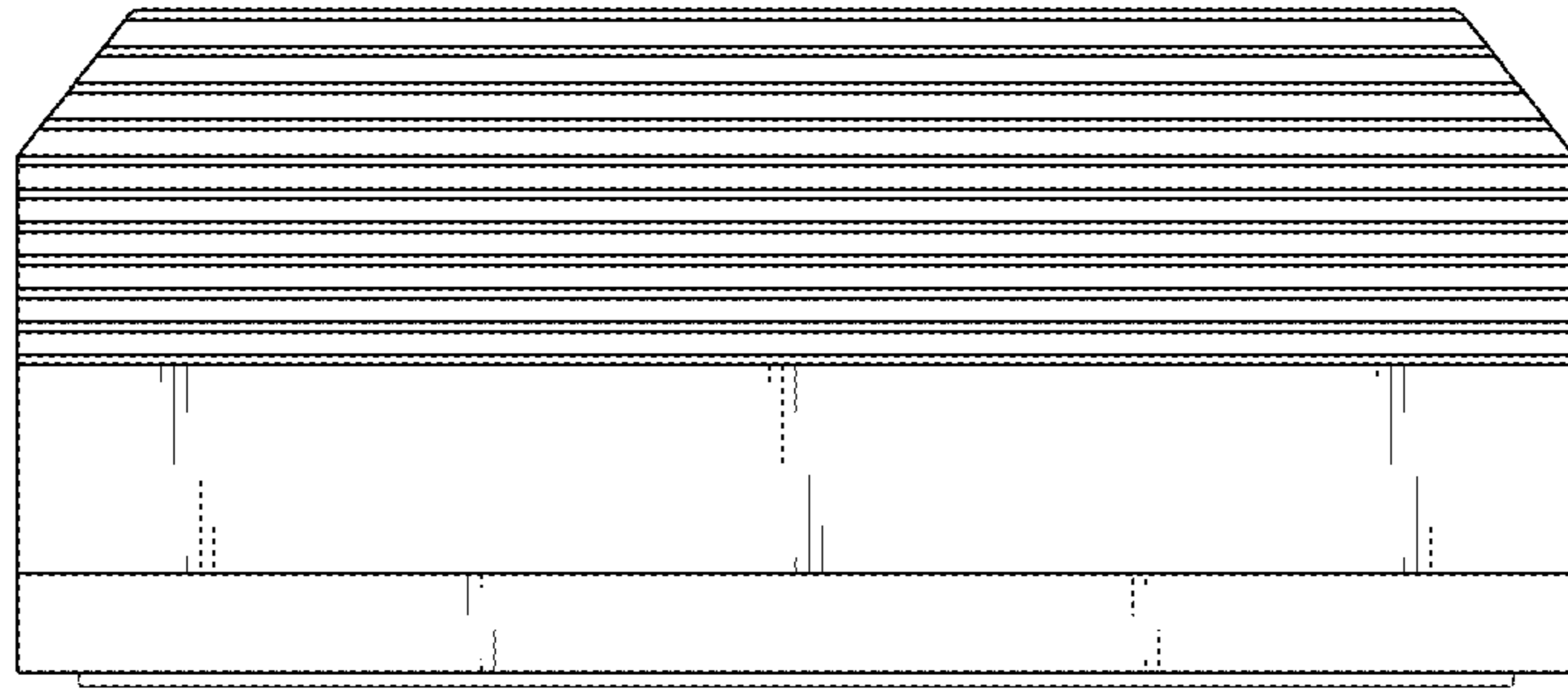


FIG. 6

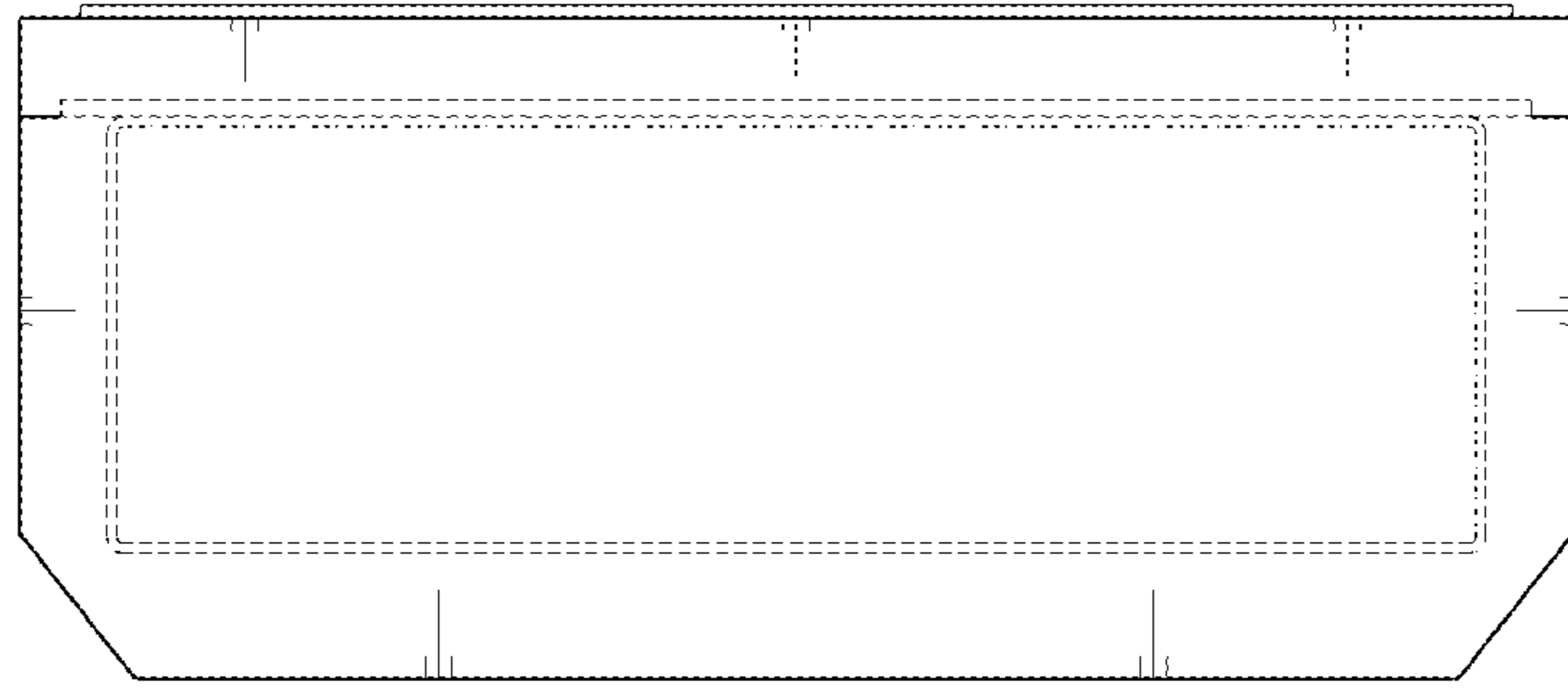


FIG. 7