



US00D959626S

(12) **United States Design Patent** (10) **Patent No.:** **US D959,626 S**
Muderlak (45) **Date of Patent:** **** *Aug. 2, 2022**

- (54) **DISPENSER**
- (71) Applicant: **Xela Innovations, LLC**, Glendale, WI (US)
- (72) Inventor: **Todd J. Muderlak**, Whitefish Bay, WI (US)
- (73) Assignee: **Xela Innovations, LLC**, Glendale, WI (US)

5,449,117 A 9/1995 Muderlak et al.
 5,657,926 A 8/1997 Toda
 5,673,825 A 10/1997 Chen
 6,039,212 A 3/2000 Singh
 6,293,474 B1 9/2001 Helf et al.
 6,341,732 B1 1/2002 Martin et al.
 6,450,419 B1 9/2002 Martens, III et al.
 D468,715 S 1/2003 Cuvelier

(Continued)

(*) Notice: This patent is subject to a terminal disclaimer.

(**) Term: **15 Years**

(21) Appl. No.: **29/815,554**

(22) Filed: **Nov. 15, 2021**

Related U.S. Application Data

(63) Continuation of application No. 29/710,795, filed on Oct. 25, 2019, now Pat. No. Des. 936,195.

(51) **LOC (13) Cl.** **23-04**

(52) **U.S. Cl.**
USPC **D23/355**; D23/366

(58) **Field of Classification Search**
USPC D23/209, 355, 356, 358, 359, 360, 364,
D23/365, 366, 367
CPC . A61L 9/03; A61L 9/012; A61L 9/015; A61L
9/037
See application file for complete search history.

(56) **References Cited**

U.S. PATENT DOCUMENTS

4,166,087 A 8/1979 Cline et al.
 4,383,951 A 5/1983 Palson
 4,931,258 A 6/1990 Zlotnik et al.
 5,114,625 A 5/1992 Gibson
 5,249,718 A 10/1993 Muderlak
 5,297,734 A 3/1994 Toda

FOREIGN PATENT DOCUMENTS

DE 9402313 3/1994
 EP 0365770 5/1990

(Continued)

OTHER PUBLICATIONS

PCT/US2019/058171 International Search Report and Written Opinion of the International Searching Authority dated Jul. 22, 2020 (14 pages).

(Continued)

Primary Examiner — John A Voytek

(74) *Attorney, Agent, or Firm* — SmithAmundsen LLC

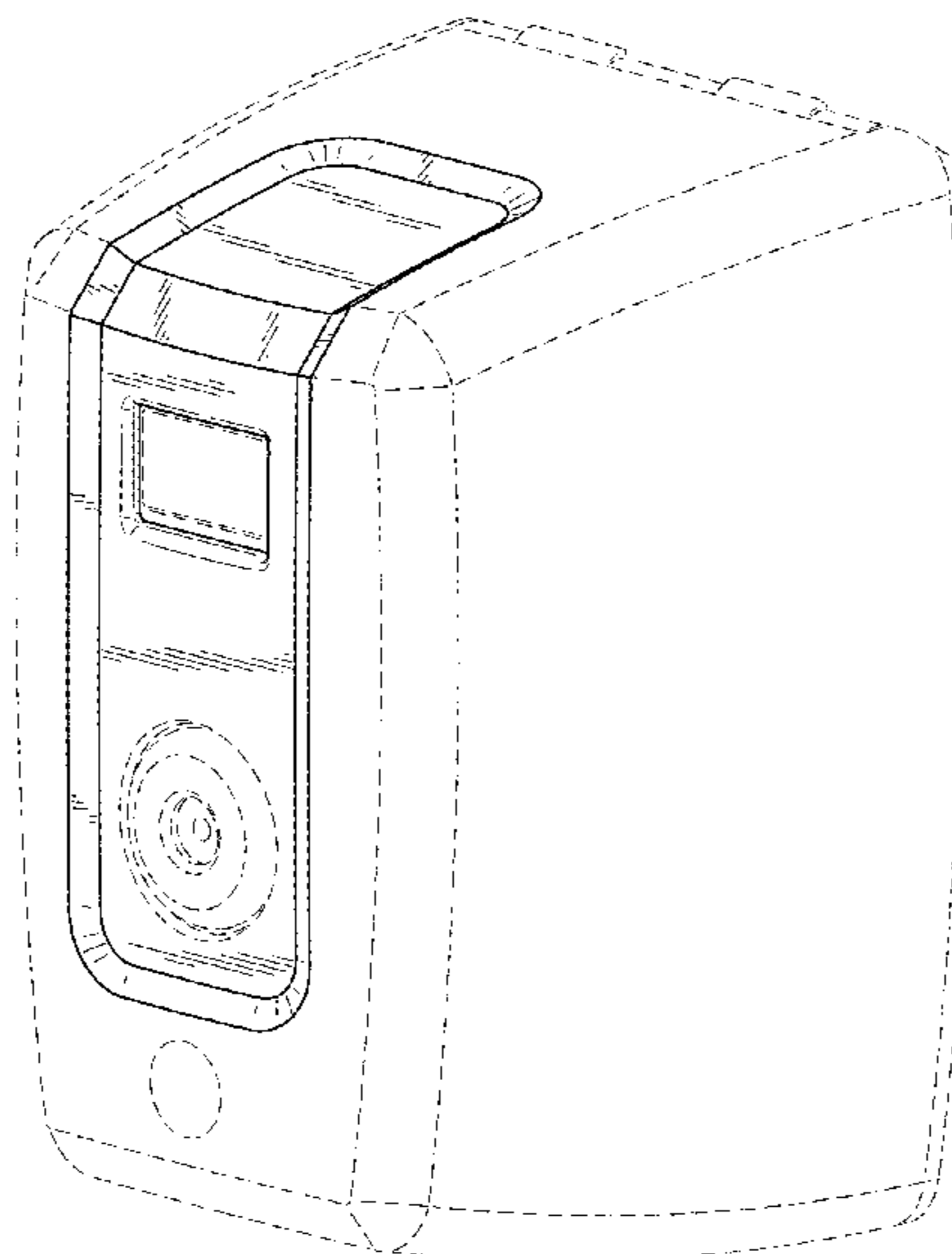
(57) **CLAIM**

The ornamental design for a dispenser, as shown and described.

DESCRIPTION

FIG. 1 is a front perspective view of the dispenser;
 FIG. 2 is a front elevational view of the dispenser;
 FIG. 3 is a rear elevational view of the dispenser;
 FIG. 4 is a bottom view of the dispenser;
 FIG. 5 is a top view of the dispenser; and,
 FIG. 6 is a right side elevational view of the dispenser; the left side being a mirror image thereof.
 The features shown in broken lines in FIGS. 1-6 illustrate environmental features that form no part of the claimed design.

1 Claim, 6 Drawing Sheets



(56)

References Cited

U.S. PATENT DOCUMENTS

7,157,057 B2 1/2007 Gohil
 D541,400 S * 4/2007 Heijdenrijk D23/366
 7,244,398 B2 7/2007 Kotary et al.
 7,389,943 B2 6/2008 Jaworski
 7,469,844 B2 12/2008 Conway et al.
 D611,132 S 3/2010 Borgi
 7,691,336 B2 4/2010 Westring
 D617,435 S 6/2010 Lou et al.
 D629,236 S * 12/2010 Weststrate D6/545
 7,922,104 B2 4/2011 Zlotnik et al.
 8,157,188 B2 4/2012 Duston et al.
 D682,409 S 5/2013 Bartolucci et al.
 D686,655 S 7/2013 Aries et al.
 D707,339 S 6/2014 Garbusi et al.
 D716,452 S * 10/2014 Hutchison D24/164
 8,889,082 B2 11/2014 Muderlak et al.
 8,931,713 B2 1/2015 Muderlak et al.
 D739,512 S * 9/2015 Stoner, Jr. D23/355
 D746,523 S * 12/2015 Jin D32/21
 D790,466 S 6/2017 Lin
 9,827,343 B2 11/2017 Lima et al.
 D844,101 S * 3/2019 Zheng D23/207
 D861,146 S 9/2019 Dingle et al.
 D868,973 S * 12/2019 Lin D24/164
 D873,672 S 1/2020 Park et al.
 D878,844 S * 3/2020 Zisman D7/306
 D910,808 S 2/2021 Russell et al.
 D918,368 S 5/2021 Wheeler et al.
 D921,900 S 6/2021 Verma
 11,089,915 B2 8/2021 Muderlak
 D936,195 S * 11/2021 Muderlak D23/355
 2004/0226962 A1 11/2004 Marszalec et al.
 2004/0265189 A1 12/2004 Schwarz

2005/0002834 A1 1/2005 Gohil
 2005/0087260 A1 4/2005 Marszalec et al.
 2005/0285538 A1 12/2005 Jaworski et al.
 2006/0153744 A1 7/2006 Thompson et al.
 2006/0163376 A1 7/2006 Lakatos et al.
 2006/0180143 A1 8/2006 Lind et al.
 2007/0036673 A1 2/2007 Selander
 2007/0235555 A1 10/2007 Helf et al.
 2008/0060119 A1 3/2008 Pinizzotto
 2008/0173705 A1 7/2008 Girard et al.
 2009/0151061 A1 6/2009 Chen
 2010/0147972 A1 6/2010 Lakatos et al.
 2011/0253819 A1 10/2011 Aries et al.
 2012/0187217 A1 7/2012 Maget et al.
 2013/0034444 A1 2/2013 Muderlak et al.
 2014/0064713 A1 3/2014 Niemiec et al.
 2014/0115767 A1 5/2014 Muderlak et al.
 2018/0043048 A1 2/2018 Sidawi et al.
 2018/0304288 A1 10/2018 Casper et al.
 2021/0121024 A1 4/2021 Muderlak et al.

FOREIGN PATENT DOCUMENTS

EP 2113259 11/2009
 EP 2564878 3/2013
 WO WO 2012/175972 12/2012
 WO WO 2013/063690 5/2013

OTHER PUBLICATIONS

Office Action from the US Patent and Trademark Office for U.S. Appl. No. 16/664,148 dated Sep. 21, 2020 (8 pages).
 Final Office Action from the US Patent and Trademark Office for U.S. Appl. No. 16/664,148 dated Feb. 8, 2021 (8 pages).

* cited by examiner

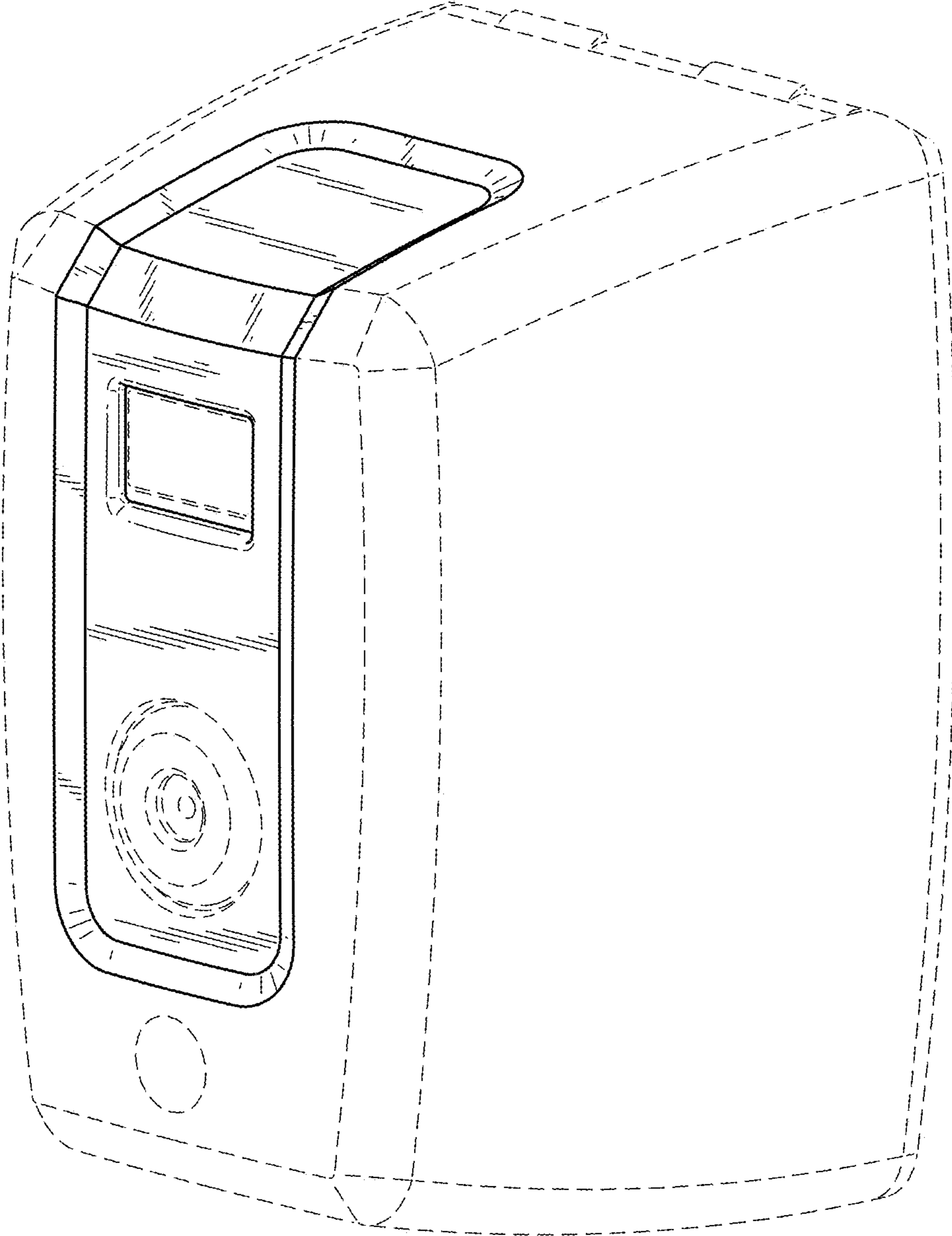


FIG. 1

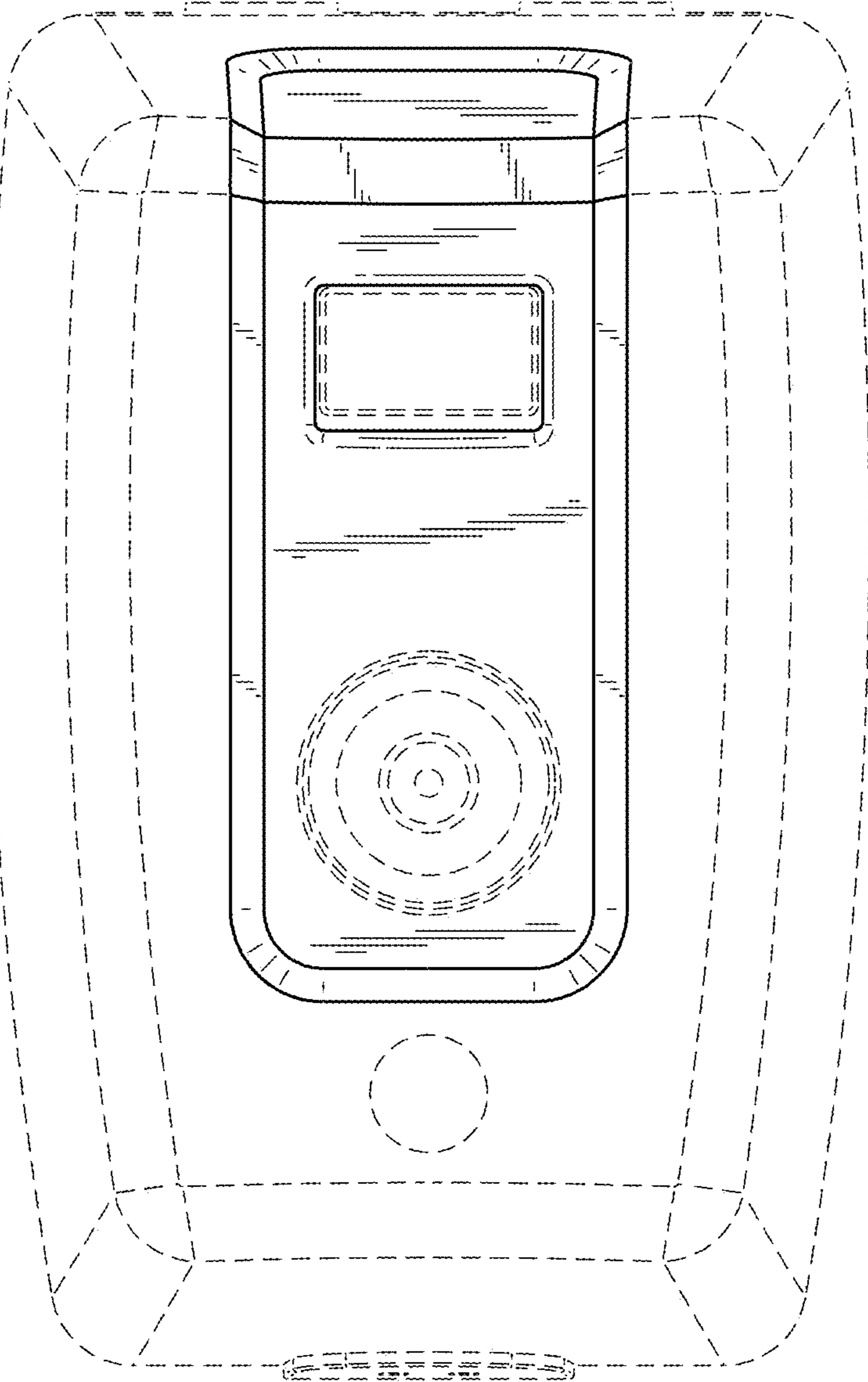


FIG. 2

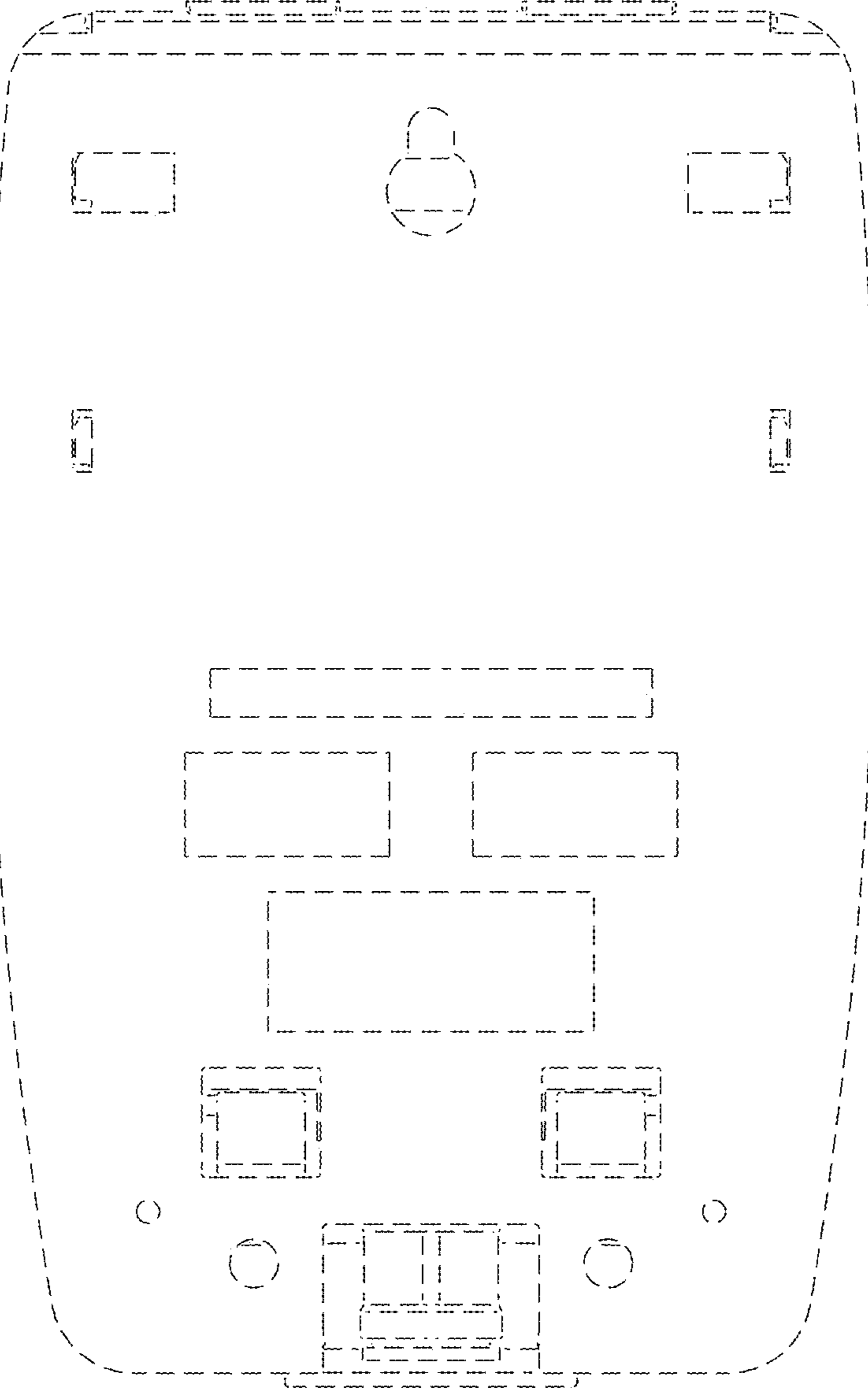


FIG. 3

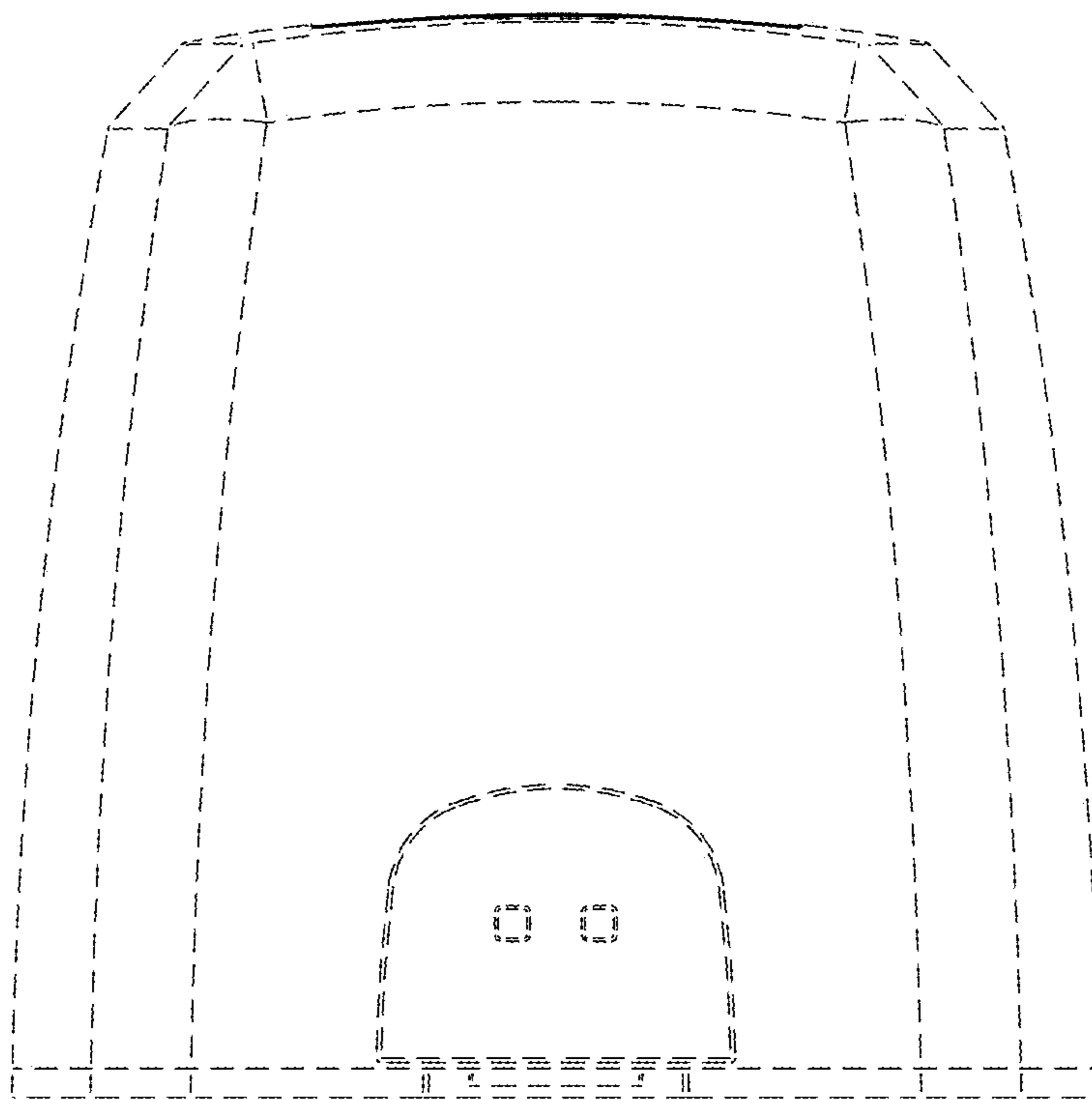


FIG. 4

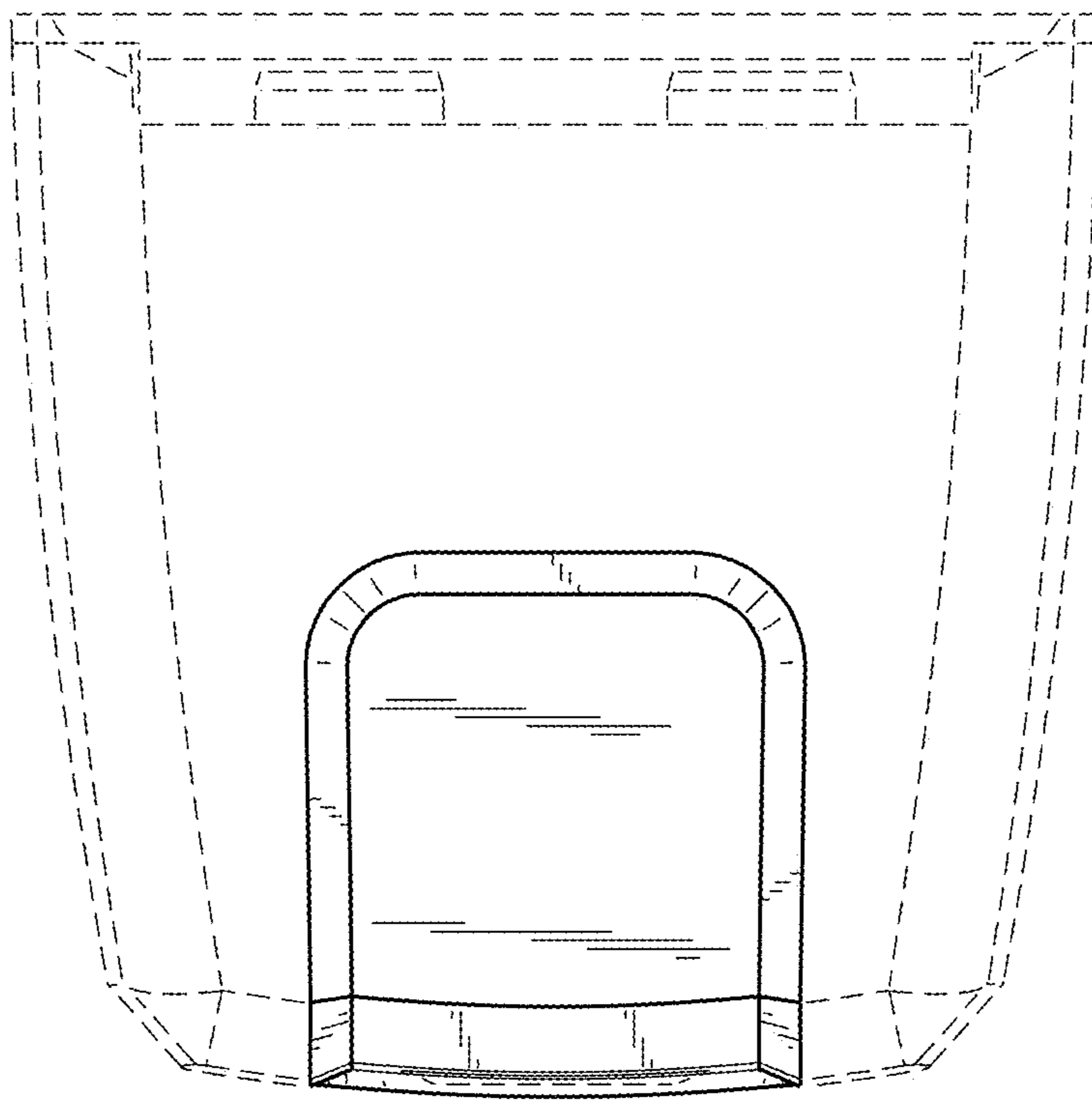


FIG. 5

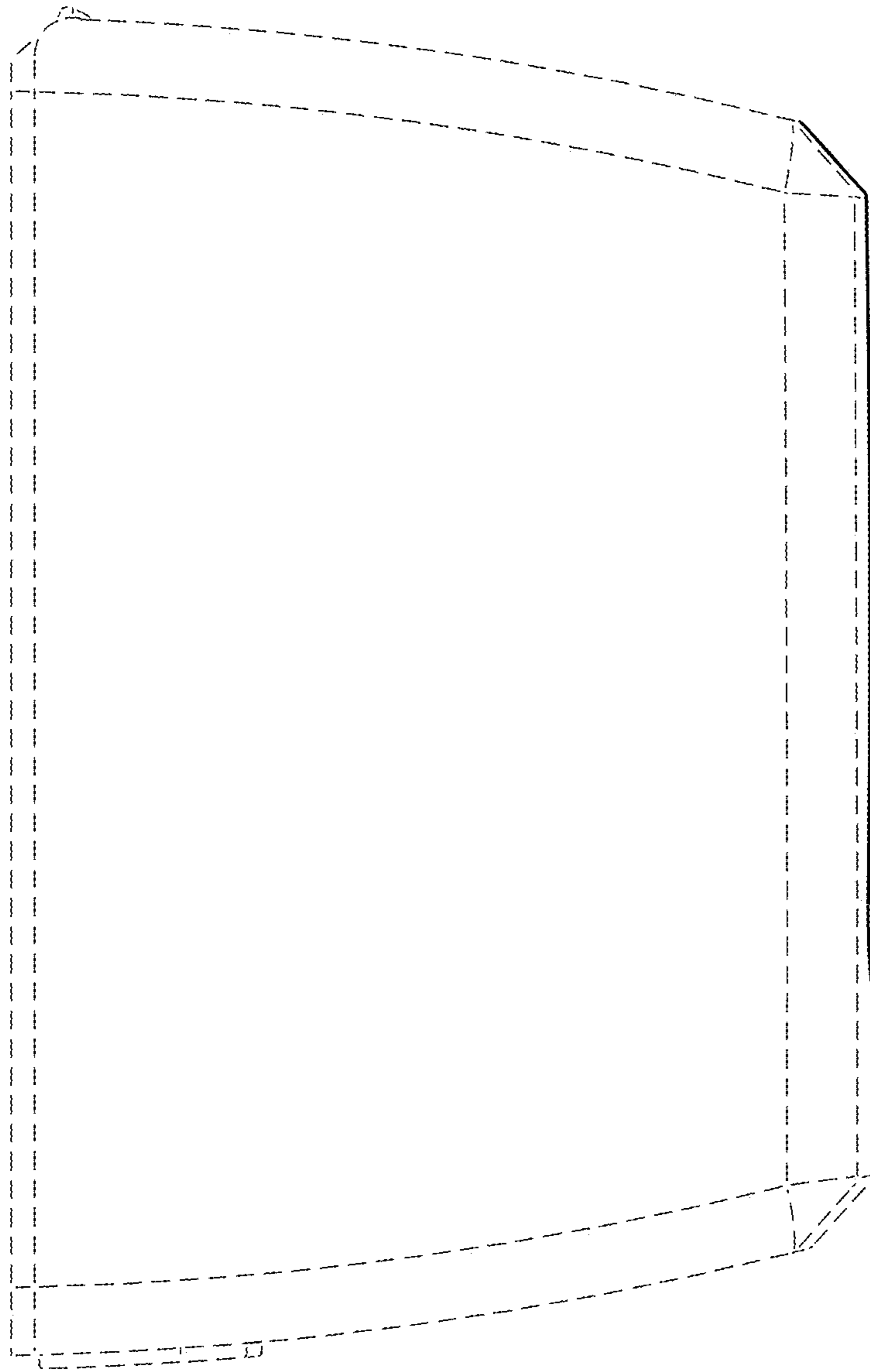


FIG. 6