



US00D959617S

(12) **United States Design Patent**
Meng

(10) **Patent No.:** **US D959,617 S**

(45) **Date of Patent:** **** Aug. 2, 2022**

(54) **PIPE JOINT ASSEMBLY**

(71) Applicant: **YUYAO DINGZHAN INSERT PLASTIC & FITTING CO., LTD.**, Zhejiang (CN)

(72) Inventor: **Jiandi Meng**, Zhejiang (CN)

(73) Assignee: **YUYAO DINGZHAN INSERT PLASTIC & FITTING CO., LTD.**, Zhejiang (CN)

(**) Term: **15 Years**

(21) Appl. No.: **29/794,331**

(22) Filed: **Jun. 11, 2021**

(30) **Foreign Application Priority Data**

Dec. 24, 2020 (CN) 202030799213.1

(51) **LOC (13) Cl.** **23-01**

(52) **U.S. Cl.**
USPC **D23/262**

(58) **Field of Classification Search**
USPC D23/202, 207–208, 213, 225, 259,
D23/260–263, 266; D24/110.5–110.6,
D24/112, 129; D8/339, 382
(Continued)

(56) **References Cited**

U.S. PATENT DOCUMENTS

D291,480 S * 8/1987 Vassallo D23/263
D296,816 S * 7/1988 Budzinski D23/262
(Continued)

FOREIGN PATENT DOCUMENTS

CN 200530114535 * 5/2006
CN 202030799213.1 * 5/2021
CN 202130072489.4 * 6/2021

OTHER PUBLICATIONS

H-SBT-2N-S316 Pipe Fitting Branch Tee; Hy-Lock Catalog Copyright of website 2017; Visited Online Mar. 7, 2022; <https://www.hylokusa.com/catalog/pipe-fitting-branch-tee/H-SBT-2N-S316> (Year: 2017).*

hylokusa.com/catalog/pipe-fitting-branch-tee/H-SBT-2N-S316 (Year: 2017).*

Primary Examiner — Amy C Wierenga
(74) *Attorney, Agent, or Firm* — ScienBiziP, P.C.

(57) **CLAIM**

The ornamental design for a pipe joint assembly, as shown and described.

DESCRIPTION

FIG. 1 is a front, right, and top perspective view of a body of a pipe joint assembly, showing my design.

FIG. 2 is a front elevation view of the body of the pipe joint assembly of FIG. 1.

FIG. 3 is a rear elevation view of the body of the pipe joint assembly of FIG. 1.

FIG. 4 is a left side elevation view of the body of the pipe joint assembly of FIG. 1.

FIG. 5 is a right side elevation view of the body of the pipe joint assembly of FIG. 1.

FIG. 6 is a top plan view of the body of the pipe joint assembly of FIG. 1.

FIG. 7 is a bottom plan view of the body of the pipe joint assembly of FIG. 1.

FIG. 8 is a front, right, and top perspective view of a nut of the pipe joint assembly showing my design.

FIG. 9 is a rear, left perspective view of the nut of the pipe joint assembly of FIG. 8.

FIG. 10 is a front elevation view of the nut of the pipe joint assembly of FIG. 8.

FIG. 11 is a rear elevation view of the nut of the pipe joint assembly of FIG. 8.

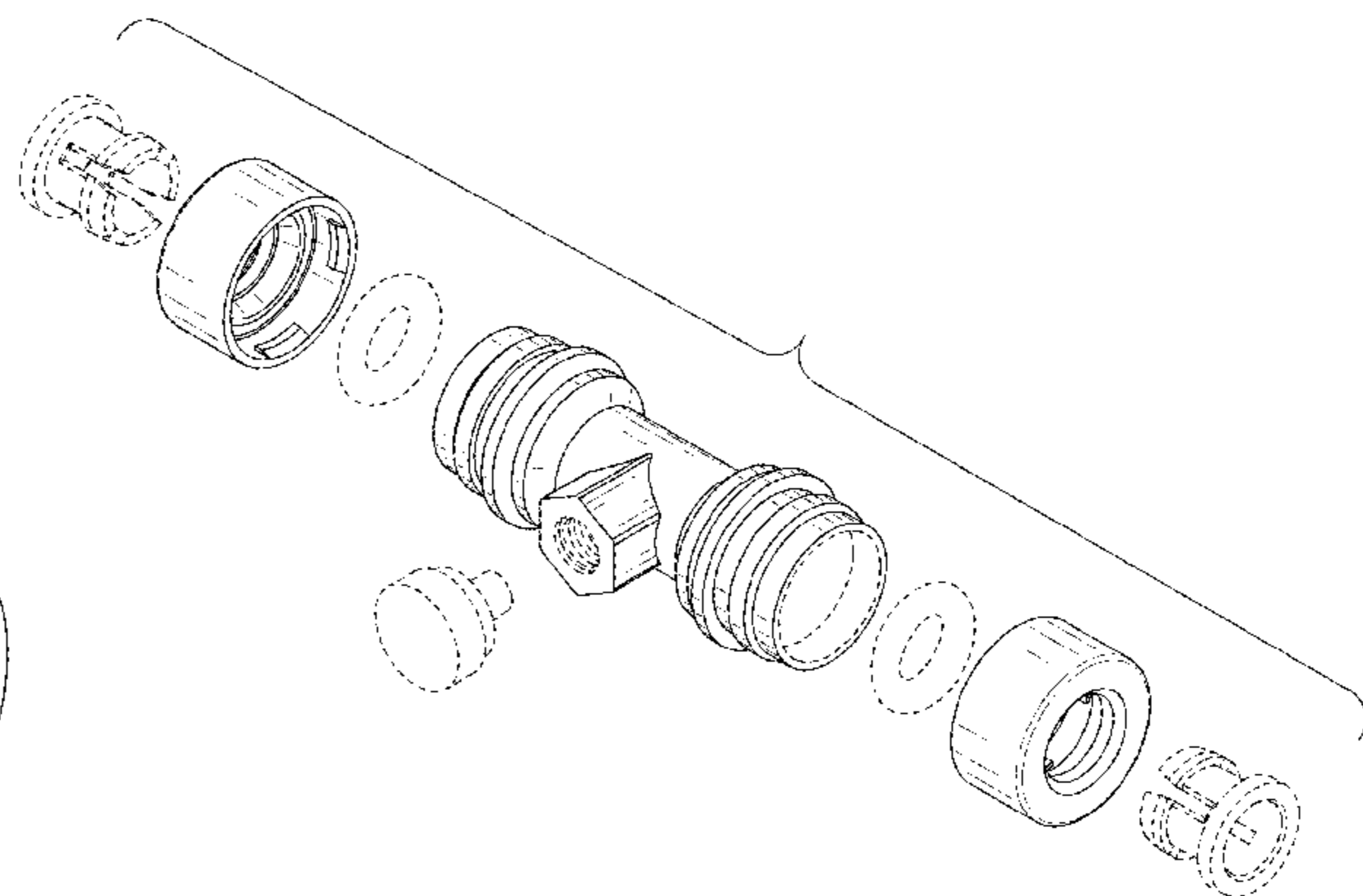
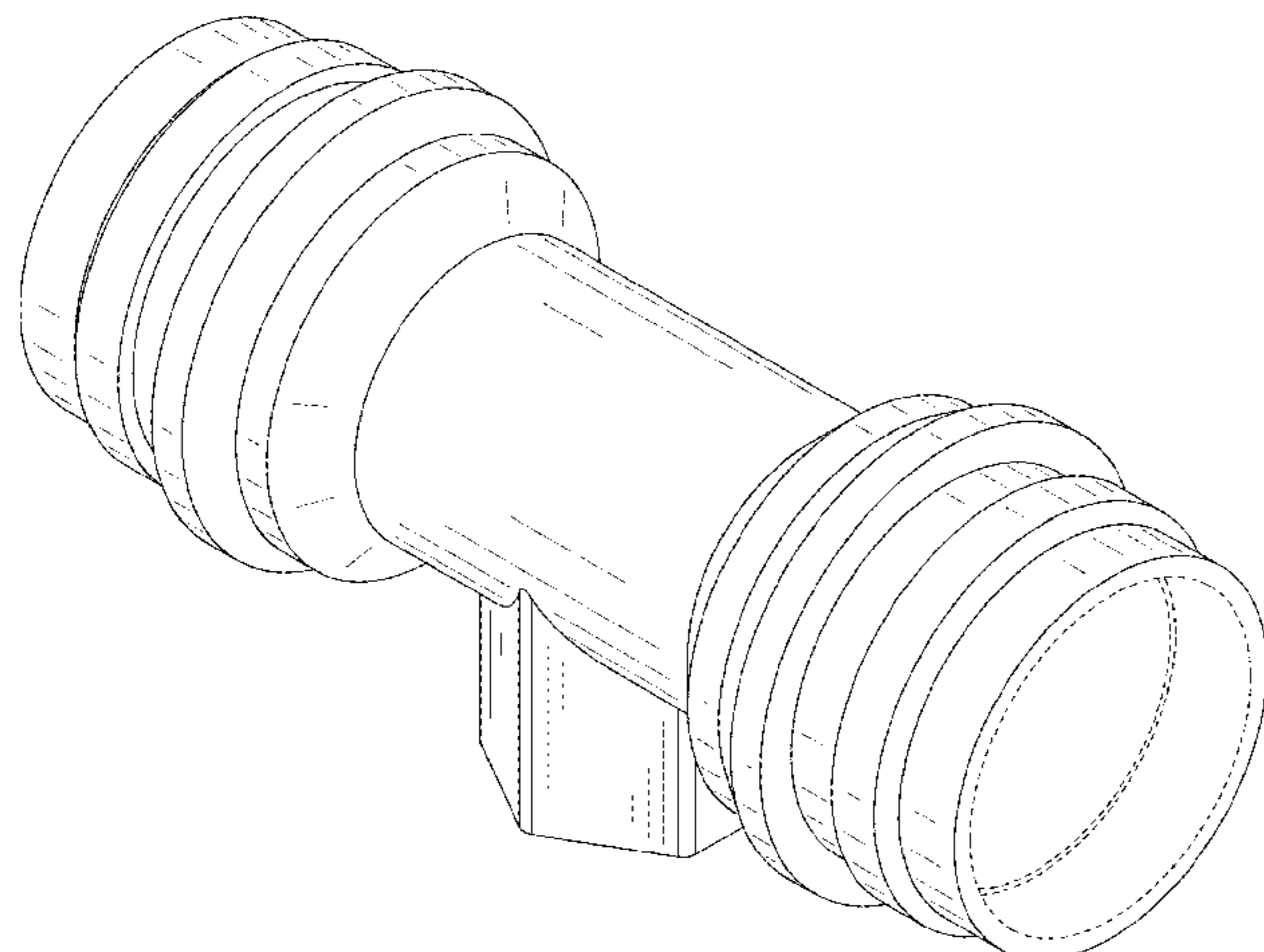
FIG. 12 is a left side elevation view of the nut of the pipe joint assembly of FIG. 8.

FIG. 13 is a cross section view of the nut of the pipe joint assembly taken from line 13-13 of FIG. 9; and,

FIG. 14 is an exploded view of the body, the nut, and other parts of the pipe joint assembly.

The broken lines shown in the drawings are included for the purpose of illustrating portions of the pipe joint assembly and for environmental structures that form no part of the claimed design.

1 Claim, 14 Drawing Sheets



(58) **Field of Classification Search**

CPC B05B 7/24; B05B 9/03; B05B 1/00; B65D
25/16; B65D 47/06; F16L 41/021

See application file for complete search history.

(56) **References Cited**

U.S. PATENT DOCUMENTS

| | | | | | |
|--------------|------|---------|-------------|-------|--------------------------|
| D441,435 | S * | 5/2001 | Patteson | | D23/262 |
| D453,817 | S * | 2/2002 | Patteson | | D23/262 |
| D481,109 | S * | 10/2003 | Dole | | D23/263 |
| D481,110 | S * | 10/2003 | Snyder, Sr. | | D23/263 |
| D516,686 | S * | 3/2006 | Wilk, Jr. | | D23/262 |
| D597,182 | S * | 7/2009 | Choi | | D23/263 |
| 7,686,346 | B1 * | 3/2010 | Buccicone | | F16L 37/091 285/129.1 |
| D617,428 | S | 6/2010 | Bachmann | | |
| D634,819 | S * | 3/2011 | Leroyer | | D23/263 |
| D656,225 | S * | 3/2012 | Dole | | D23/263 |
| D676,942 | S * | 2/2013 | Kluss | | D23/262 |
| D743,511 | S * | 11/2015 | Bednarz | | D23/263 |
| D746,951 | S * | 1/2016 | Gledhill | | D23/259 |
| D776,797 | S * | 1/2017 | Bednarz | | D23/263 |
| D857,178 | S | 8/2019 | Dagdelen | | |
| D924,375 | S * | 7/2021 | Decaria | | D23/262 |
| 2013/0292591 | A1 * | 11/2013 | Chang | | F16L 37/413 251/149.6 |

* cited by examiner

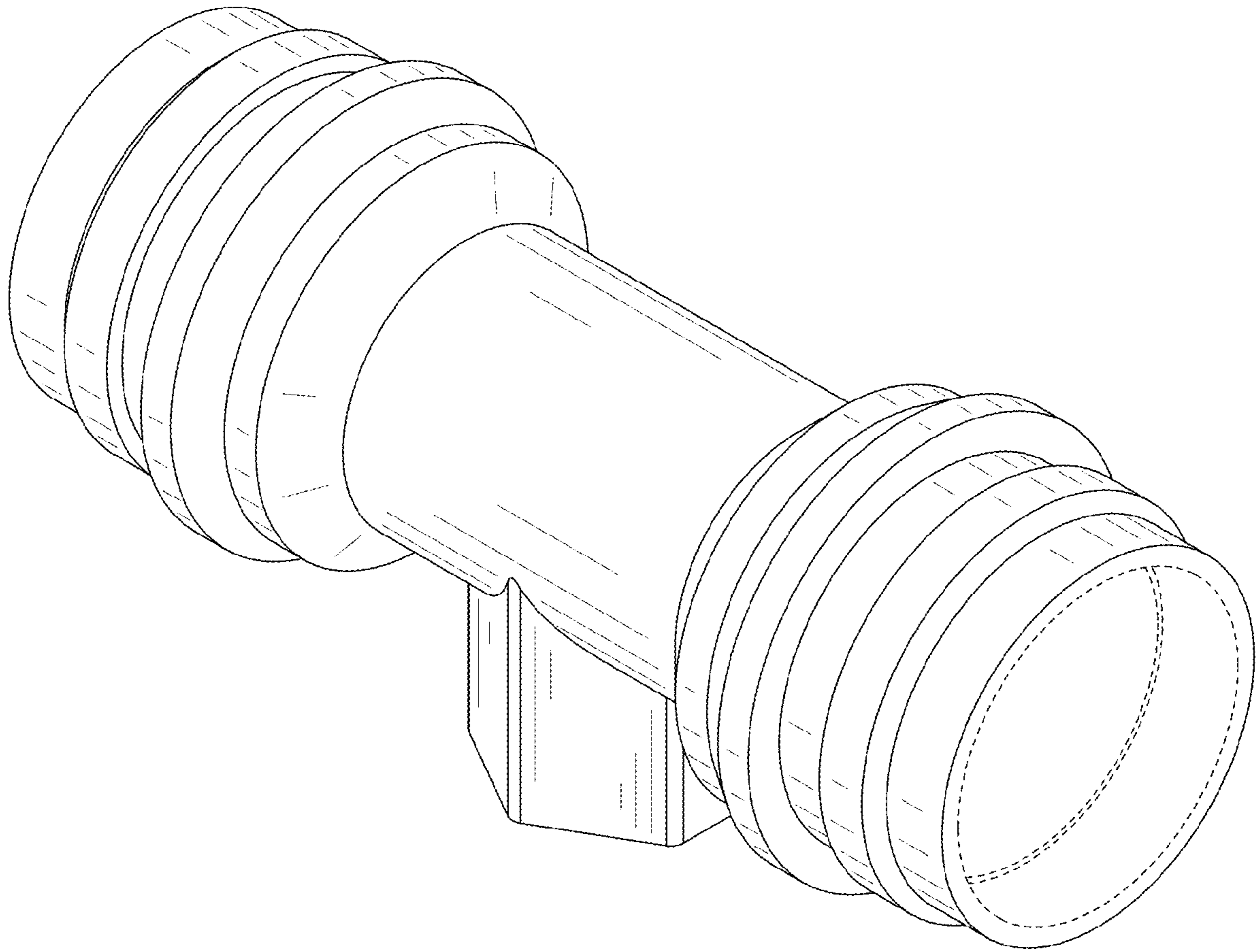


FIG. 1

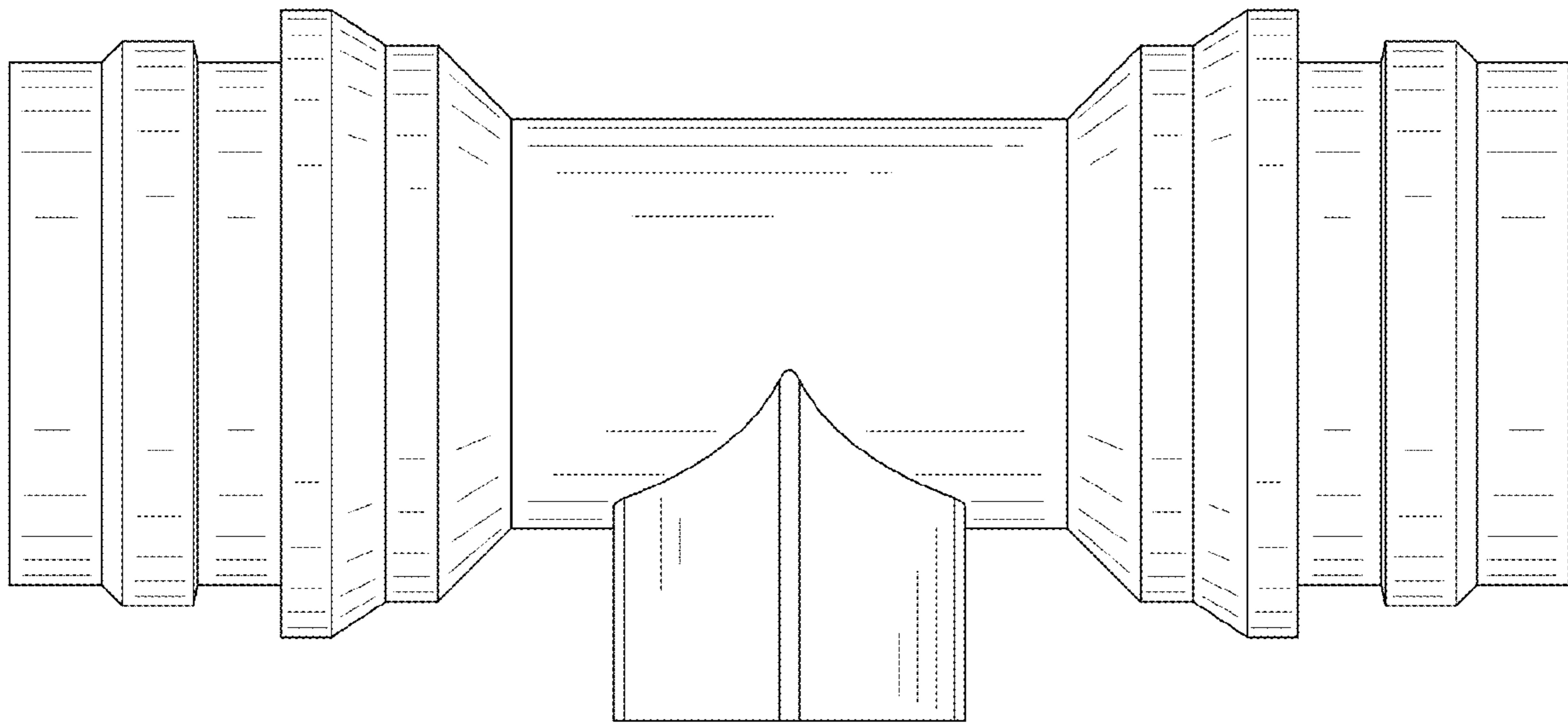


FIG. 2

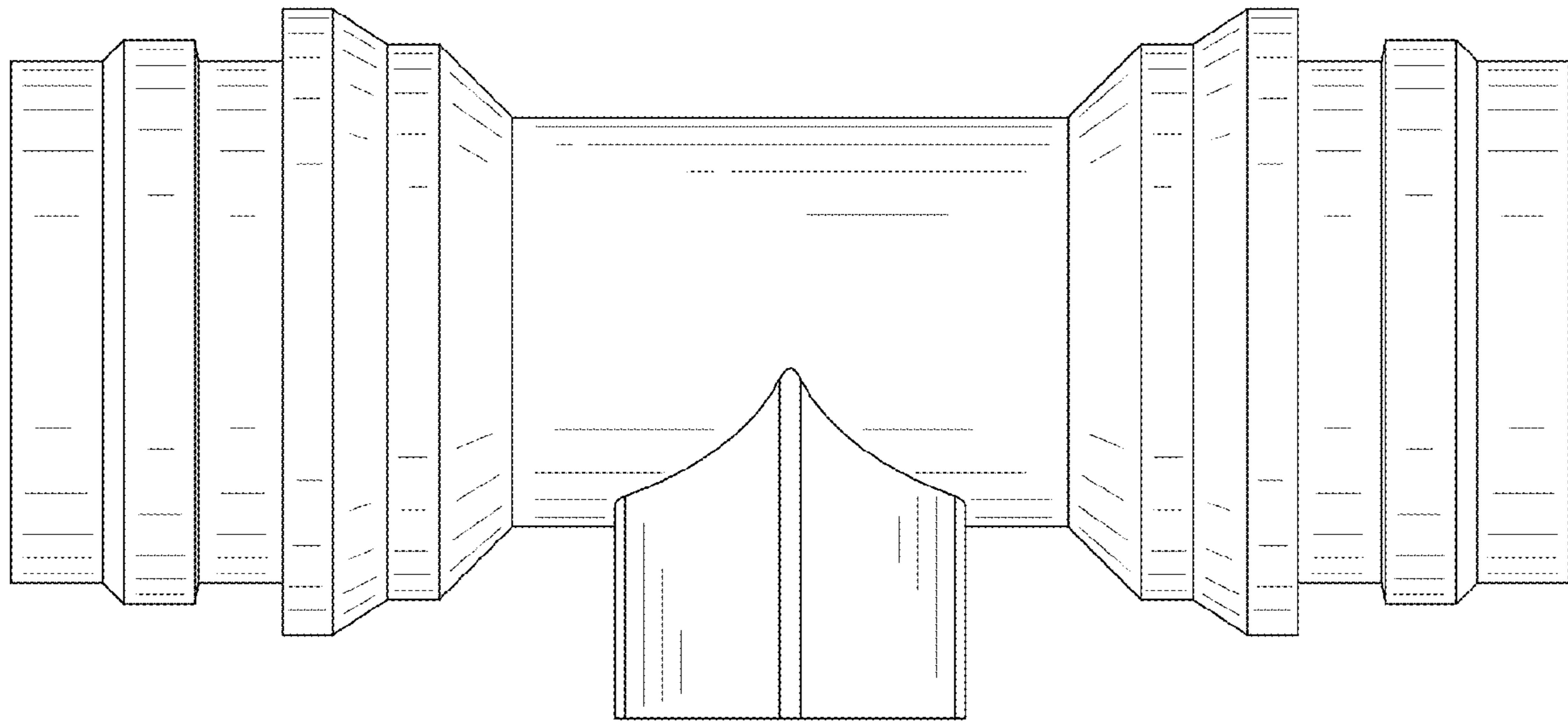


FIG. 3

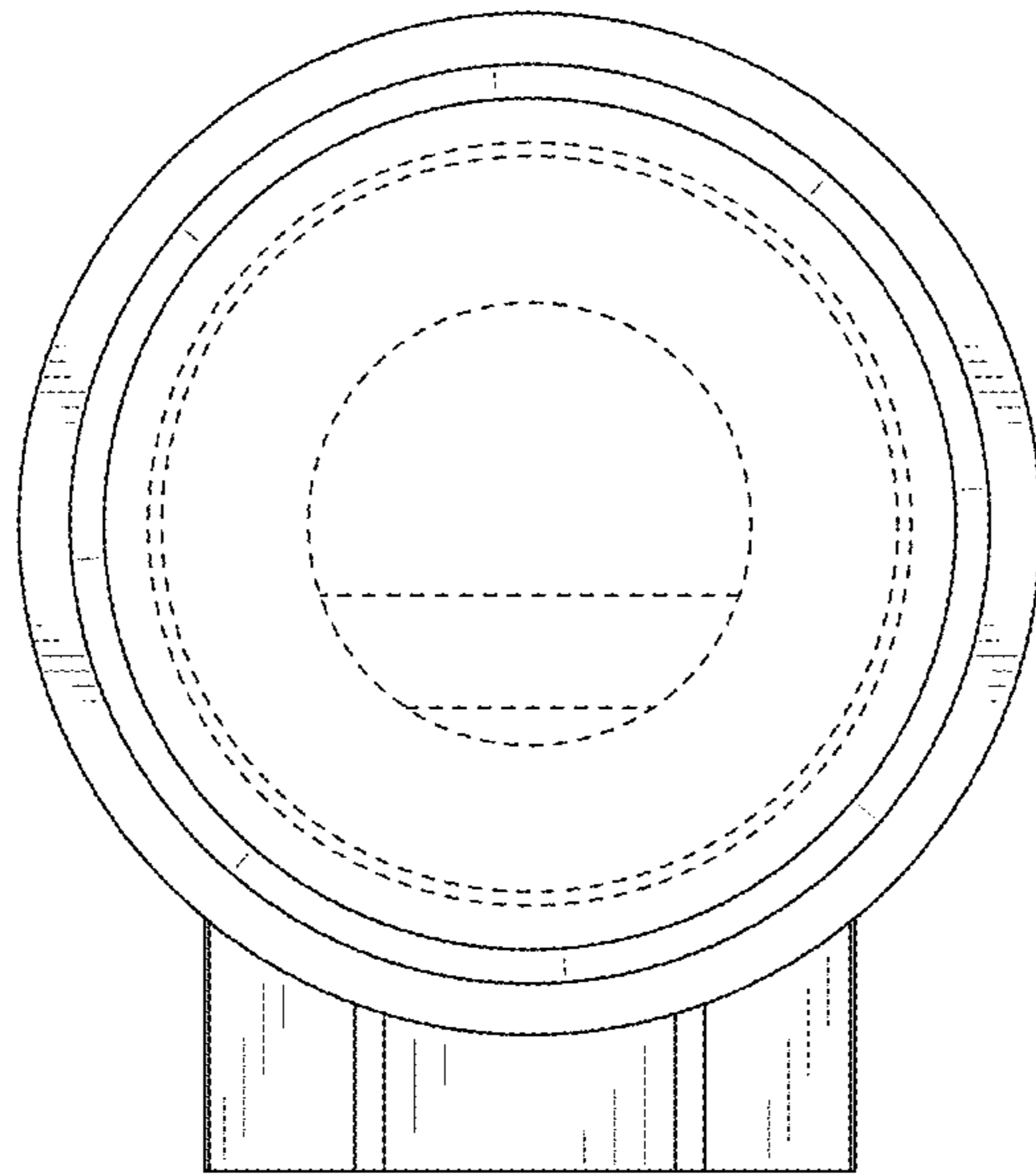


FIG. 4

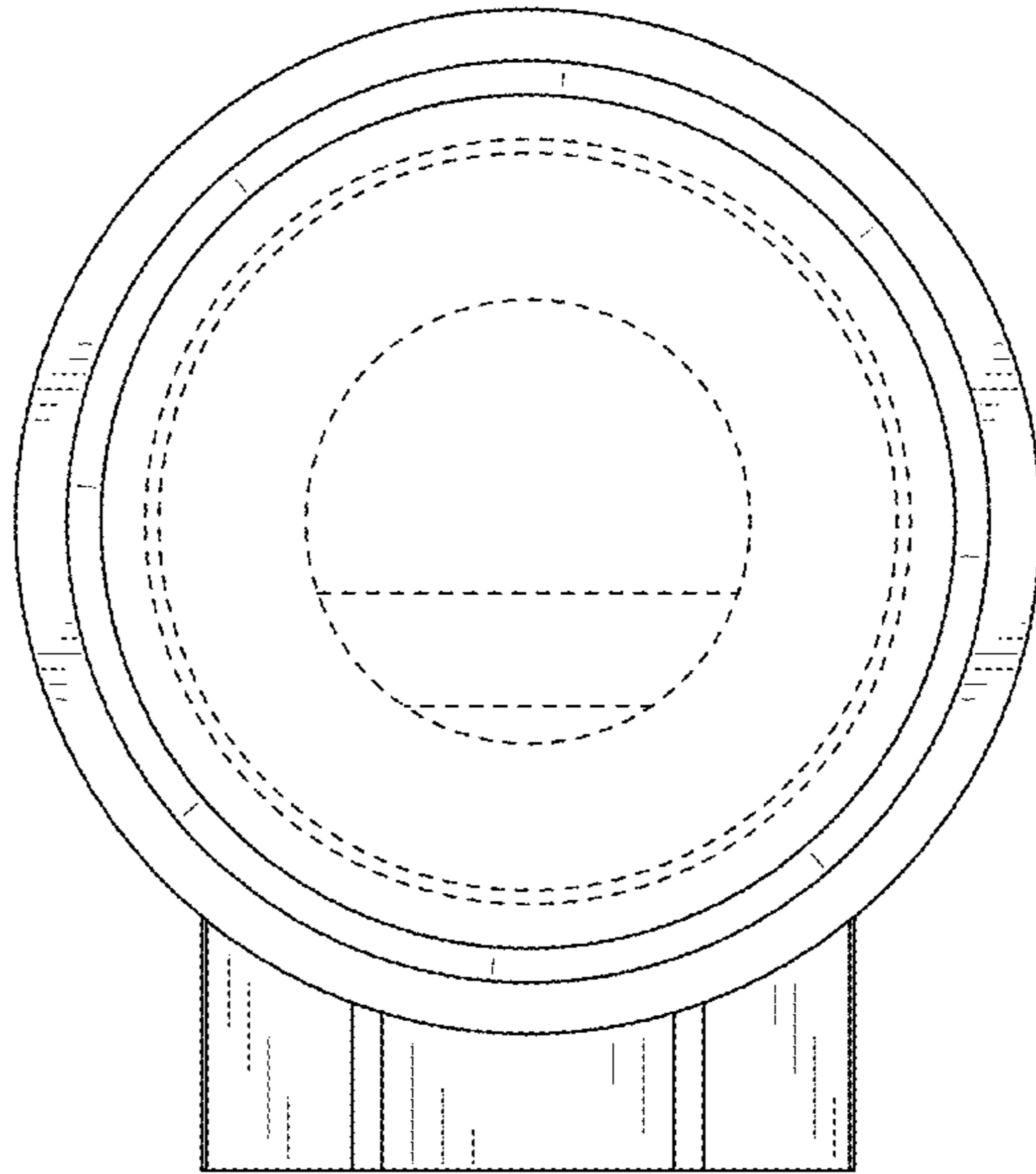


FIG. 5

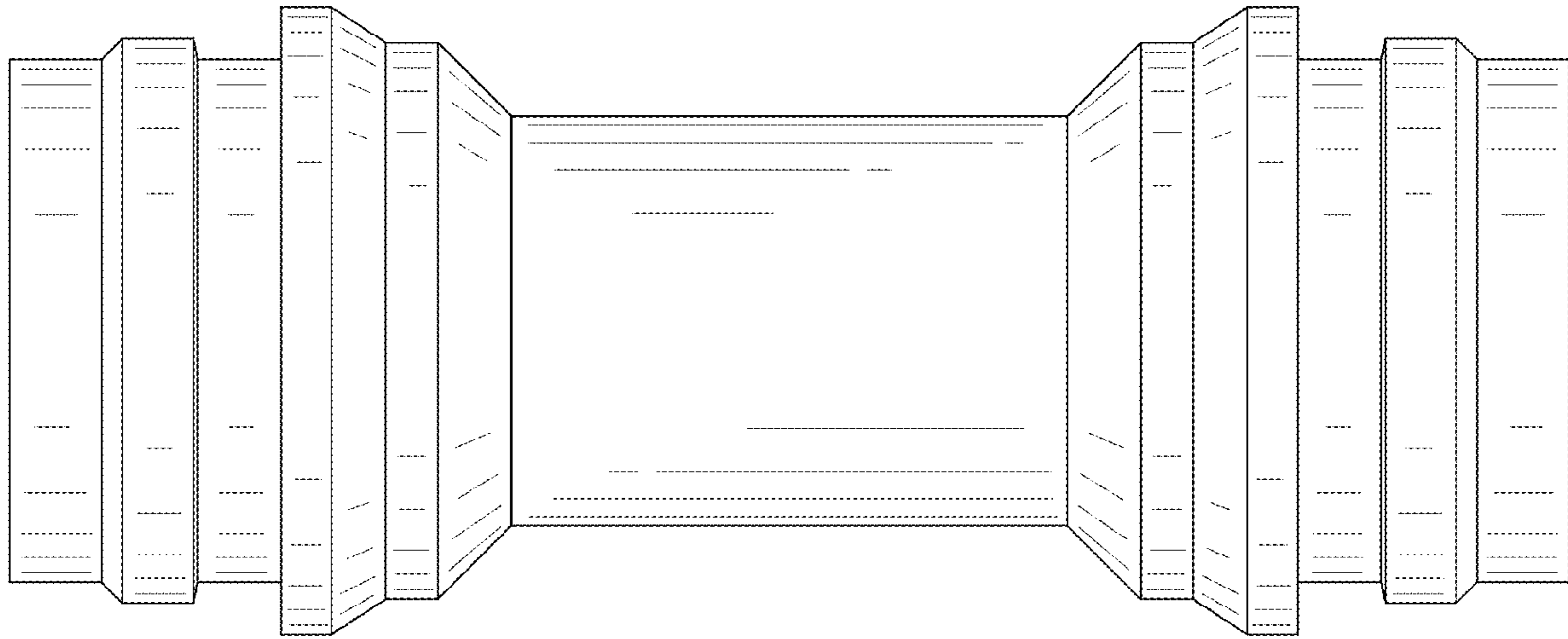


FIG. 6

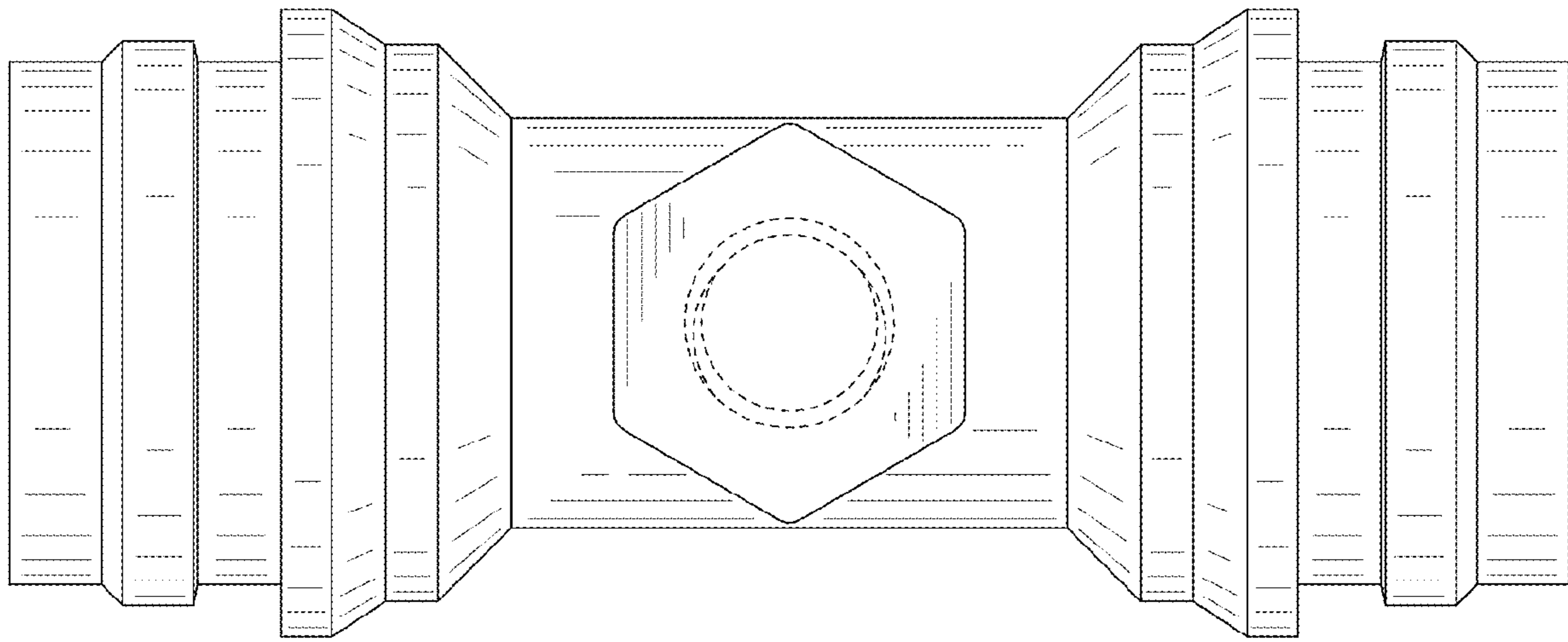


FIG. 7

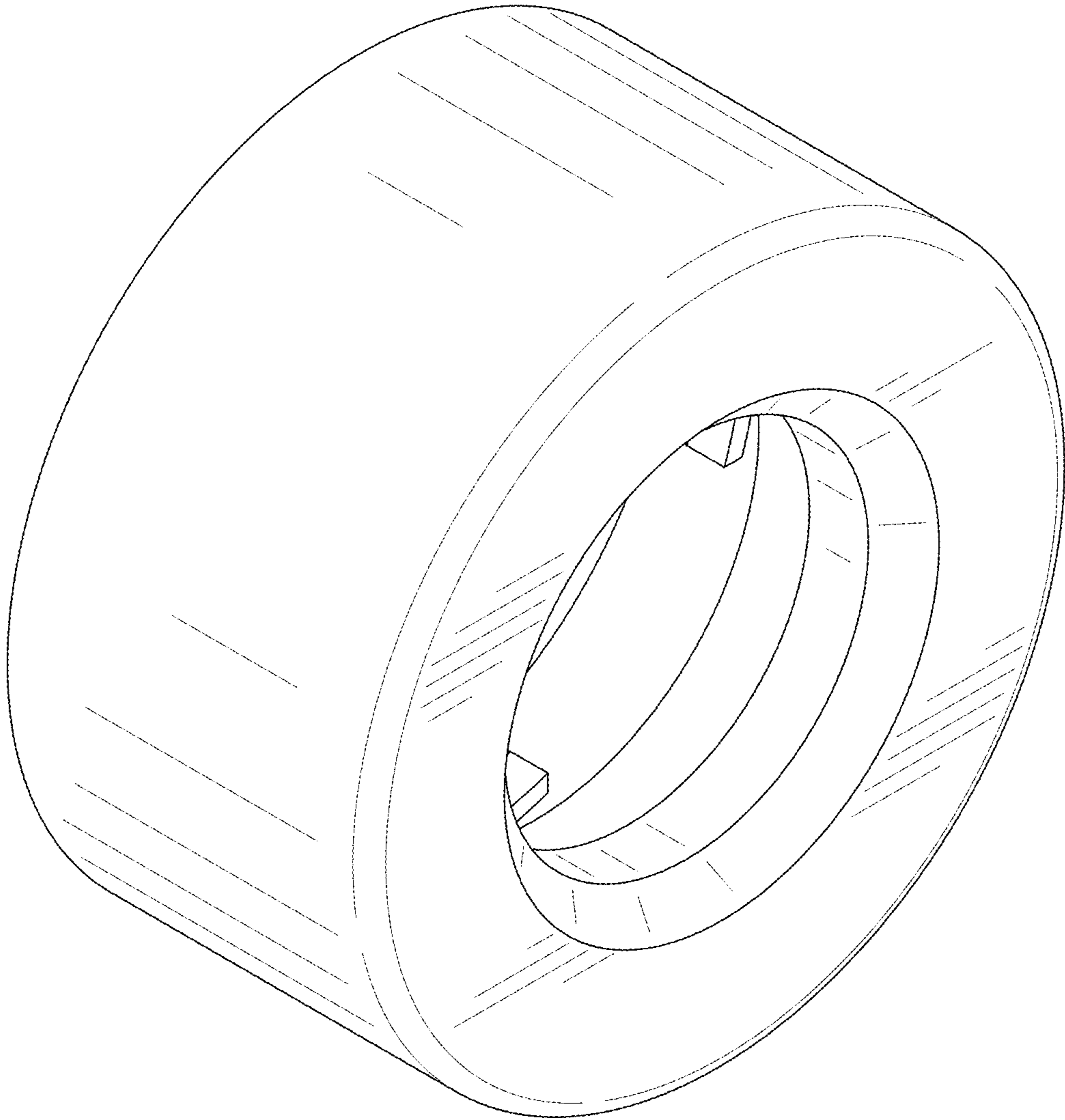


FIG. 8

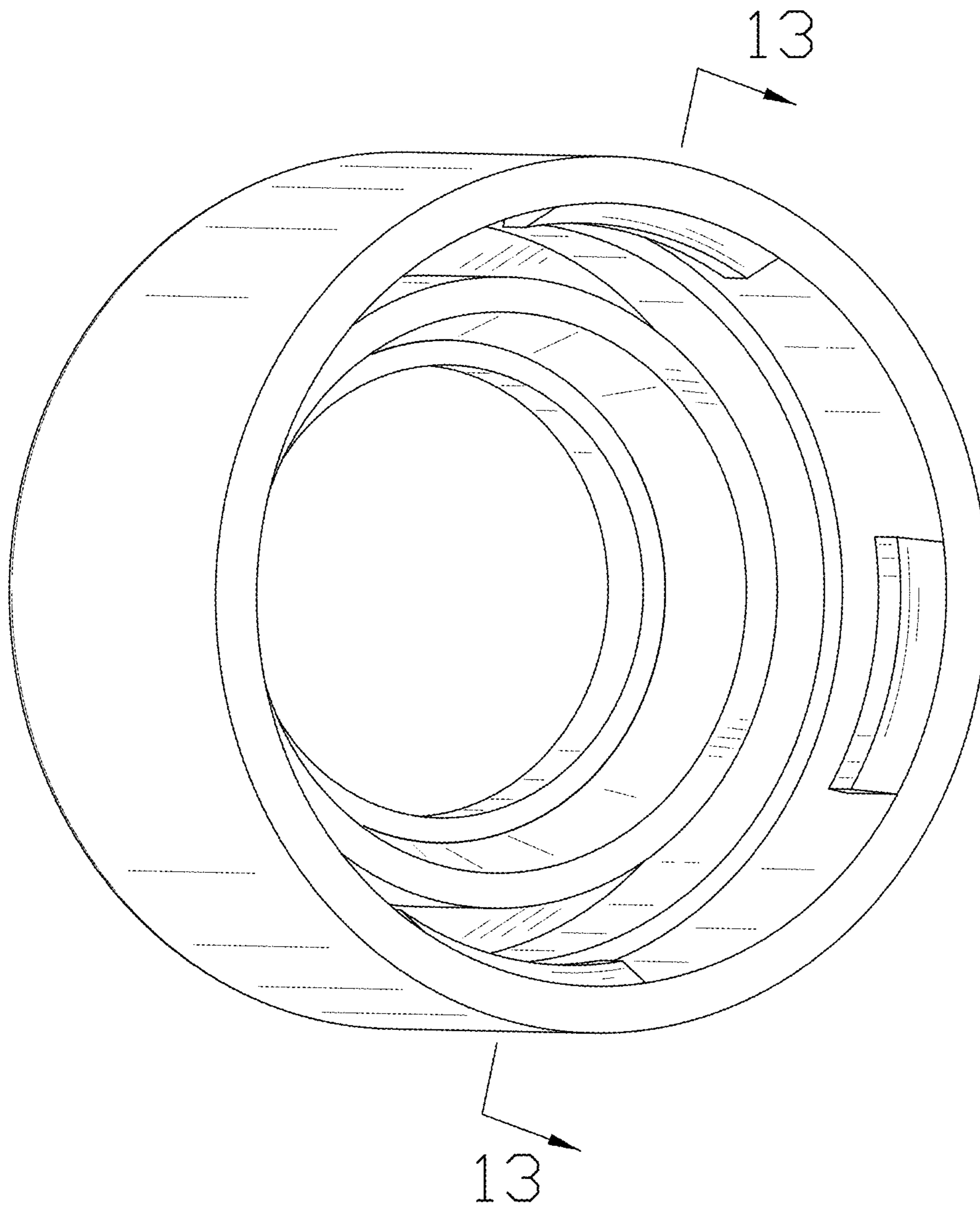


FIG. 9

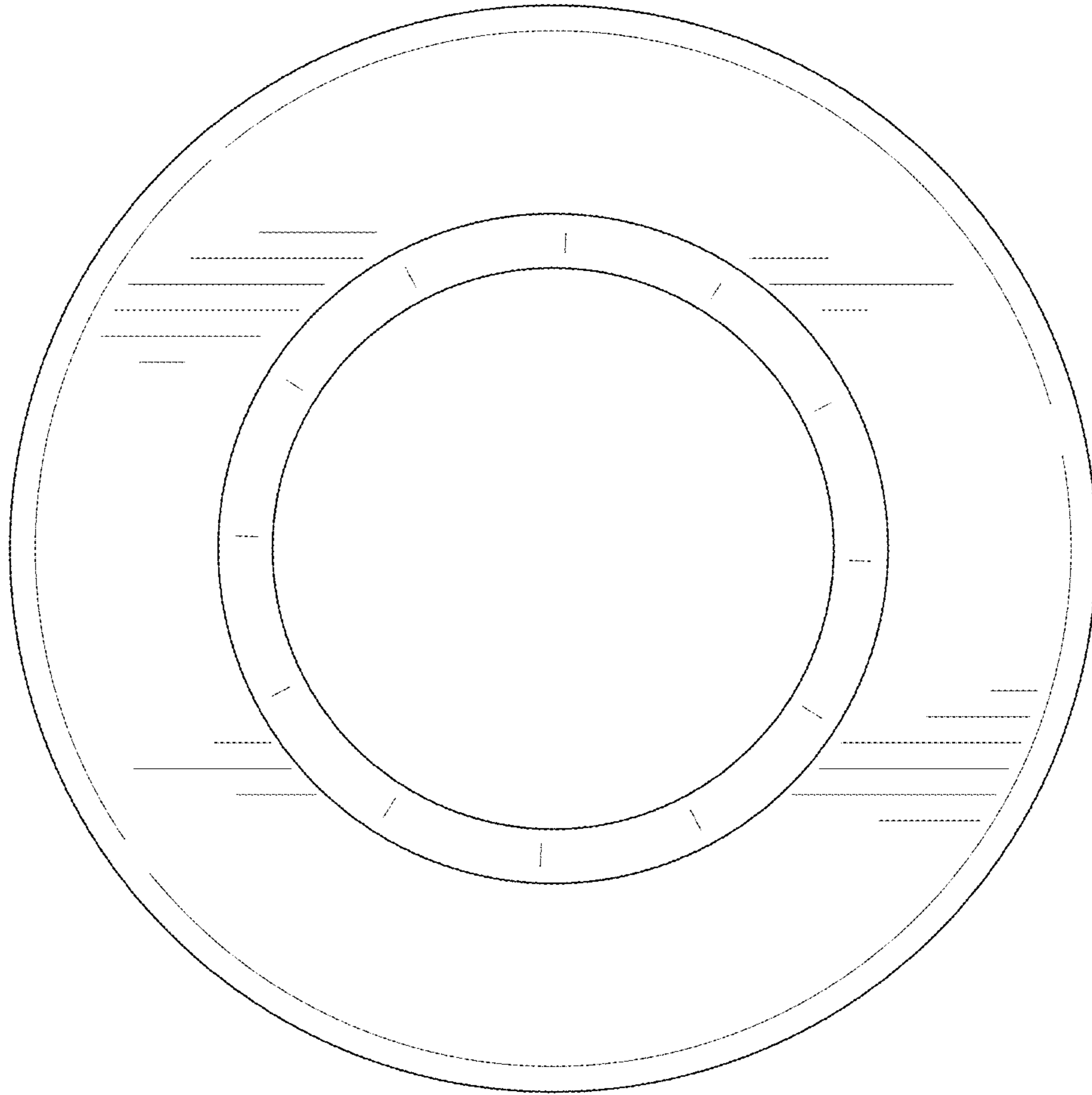


FIG. 10

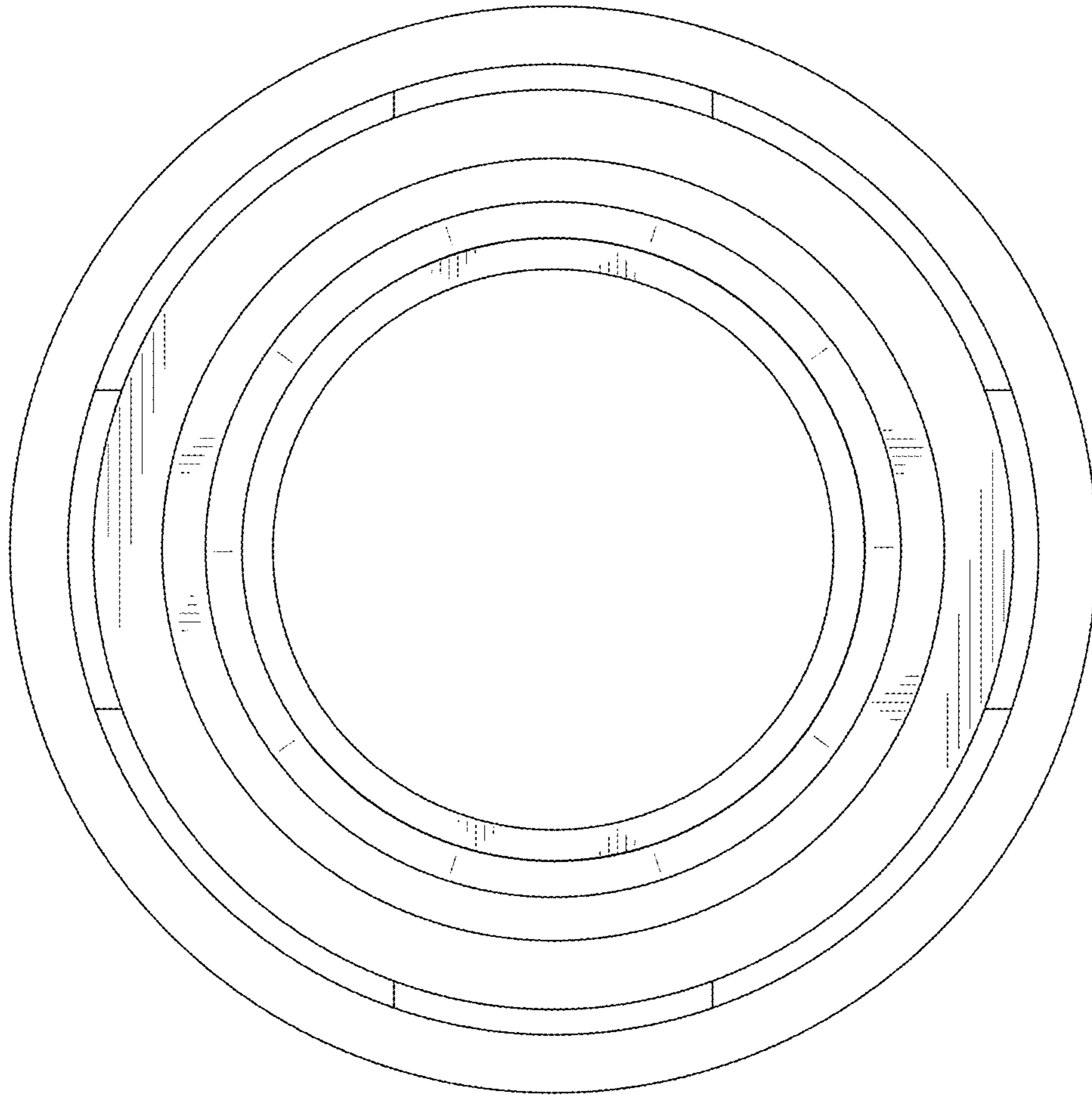


FIG. 11

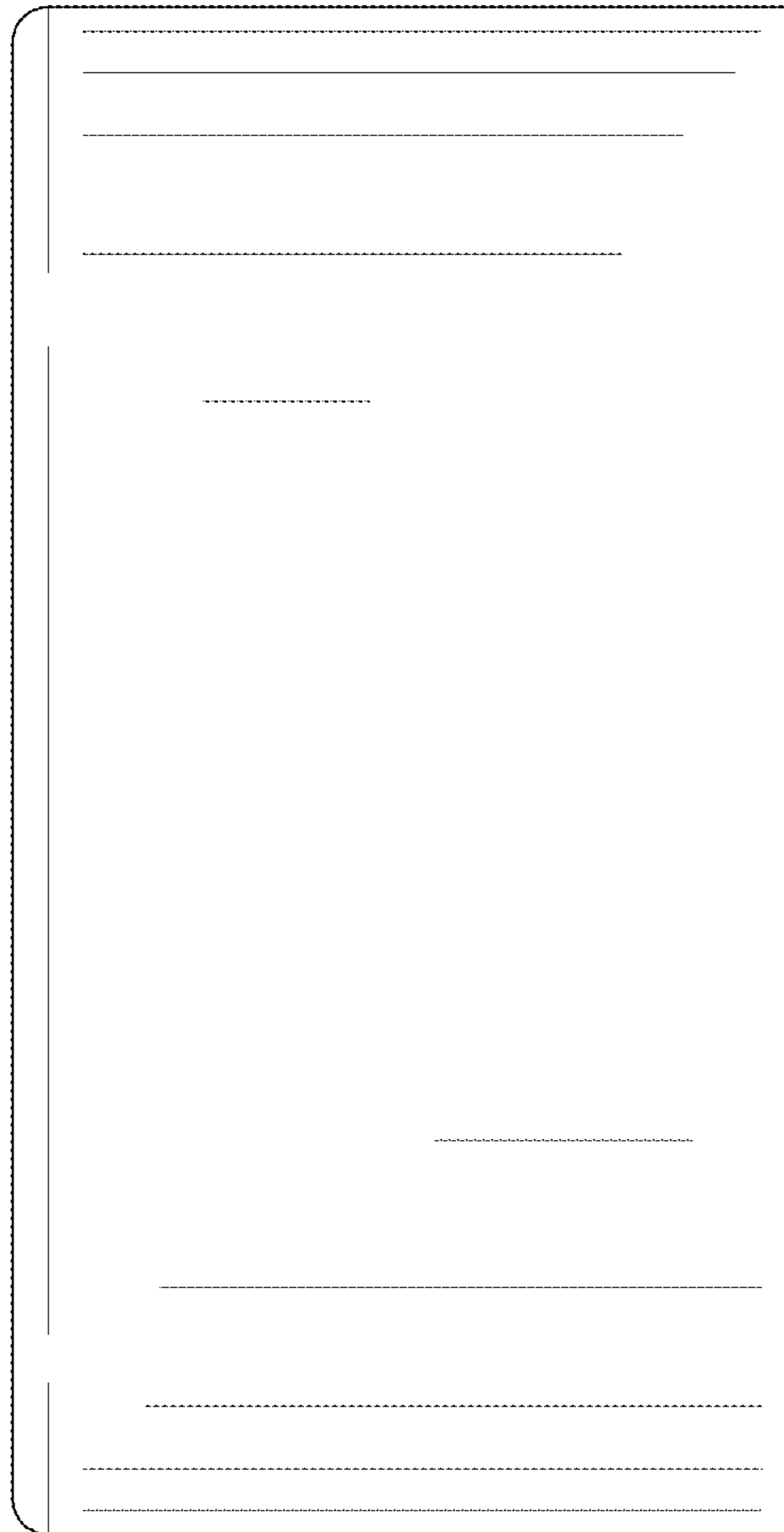


FIG. 12

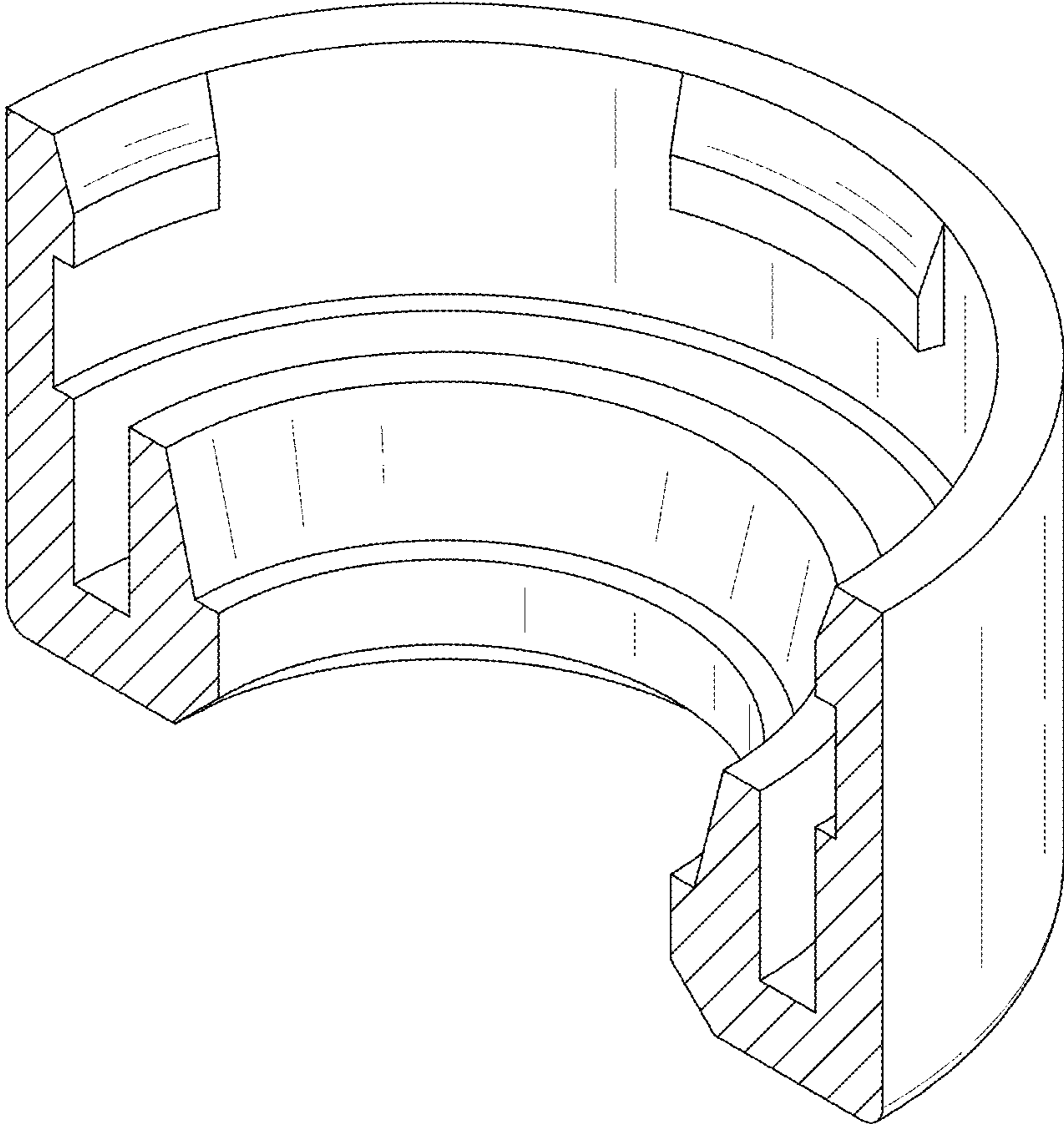


FIG. 13

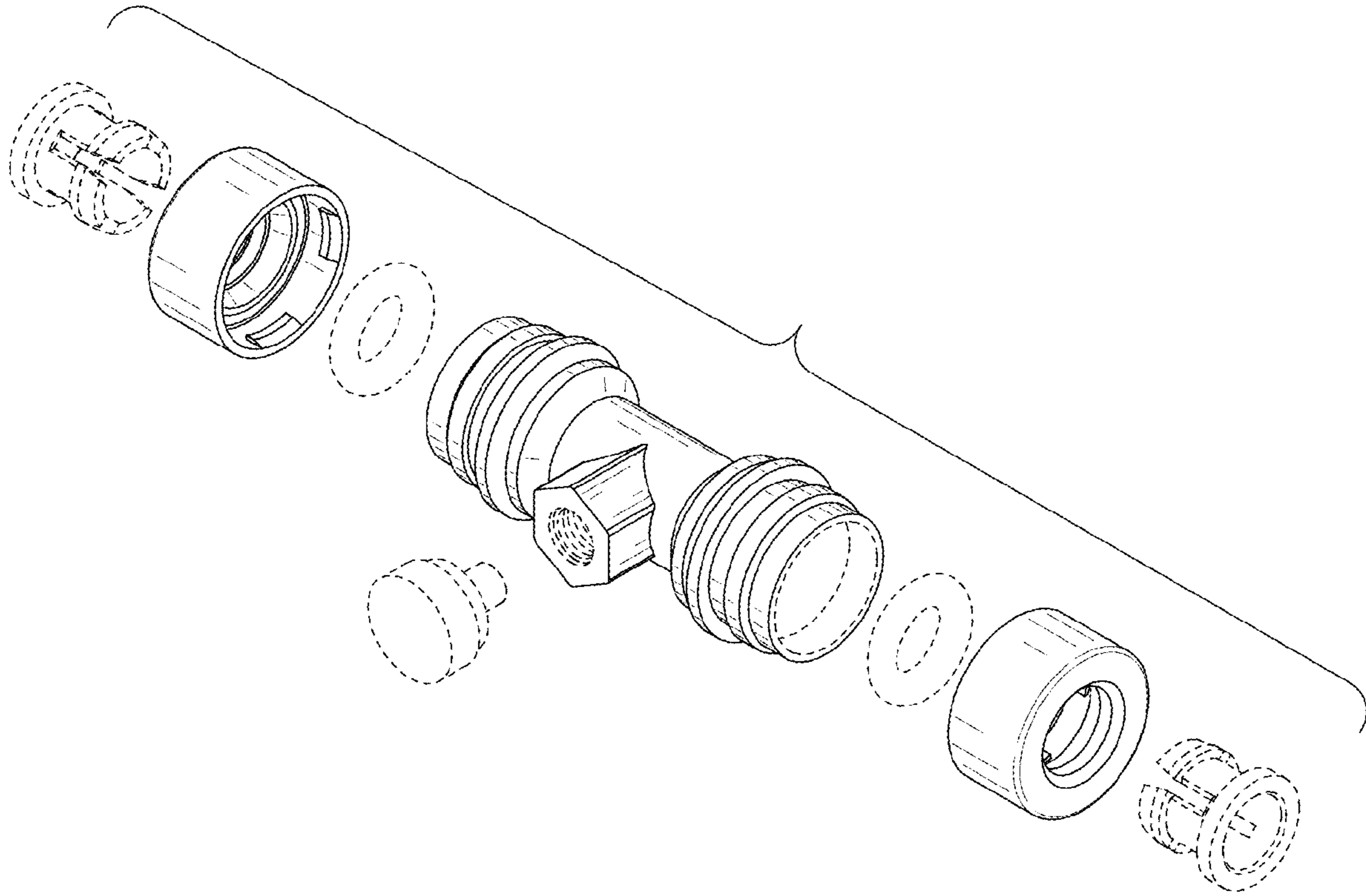


FIG. 14