



US00D959616S

(12) **United States Design Patent** (10) **Patent No.:** **US D959,616 S**  
**Witt et al.** (45) **Date of Patent:** **\*\* Aug. 2, 2022**

(54) **FREESTANDING TUB FILLER**  
(71) Applicant: **HANSGROHE SE**, Schiltach (DE)  
(72) Inventors: **Alvaro Witt**, Stuttgart (DE); **Andreas Diefenbach**, Ludwigsburg-Ossweil (DE)  
(73) Assignee: **Hansgrohe SE**, Schiltach (DE)  
(\*\*) Term: **15 Years**

D530,786 S \* 10/2006 Gilbert ..... D23/238  
D541,388 S \* 4/2007 Dolan ..... D23/255  
D567,907 S \* 4/2008 Kohler, Jr. .... D23/238  
D574,064 S \* 7/2008 Hanna ..... D23/257  
D574,470 S \* 8/2008 Wolf ..... D23/255  
D581,027 S \* 11/2008 Dolan ..... D23/255  
D581,494 S \* 11/2008 Dolan ..... D23/255  
D600,320 S \* 9/2009 Miyamoto ..... D23/238  
D603,023 S \* 10/2009 Tippens ..... D23/257  
D607,975 S \* 1/2010 Schoenherr ..... D23/238  
D608,864 S \* 1/2010 Schoenherr ..... D23/257

(Continued)

(21) Appl. No.: **29/757,417**  
(22) Filed: **Nov. 5, 2020**

(30) **Foreign Application Priority Data**  
May 11, 2020 (EM) ..... 007880810-0004  
(51) **LOC (13) Cl.** ..... **23-01**  
(52) **U.S. Cl.**  
USPC ..... **D23/257**  
(58) **Field of Classification Search**  
USPC ..... D23/257, 249, 254, 259, 255, 233, 234,  
D23/235, 236, 237, 238, 240, 241, 242,  
D23/243, 250, 251, 252, 253  
CPC ..... E03C 1/01; E03C 1/0409; E03C 1/025;  
E03C 1/0408; E03C 1/04; E03C 1/0401;  
E03C 1/0402; E03C 1/0405; E03C  
1/0412; Y10T 137/5339; Y10T 137/6014;  
Y10T 137/6021  
See application file for complete search history.

(56) **References Cited**  
**U.S. PATENT DOCUMENTS**  
D76,904 S \* 11/1928 Smith ..... D23/254  
3,533,436 A \* 10/1970 Parkison ..... F16K 11/00  
137/359  
D219,781 S \* 1/1971 Niemann ..... D23/252  
D300,653 S \* 4/1989 Paul ..... D23/255  
D510,414 S \* 10/2005 Jones ..... D23/252  
D522,624 S \* 6/2006 Koury ..... D23/252  
D524,922 S \* 7/2006 Gilbert ..... D23/255

**OTHER PUBLICATIONS**

Home Depot, Hansgrohe Locarno 1-Handle Floor Mount Freestanding Tub Faucet, visited Jan. 12, 2022, [online]. Internet, <URL: <https://www.homedepot.com/p/Hansgrohe-Locarno-1-Handle-Floor-Mount-Freestanding-Tub-Faucet-with-Hand-Shower-in-Matte-Black-Valve-Not-Included-04818670/315602299>> (Year: 2022).\*

(Continued)

*Primary Examiner* — Samantha Wood  
(74) *Attorney, Agent, or Firm* — Lora J. Graentzdoerffer

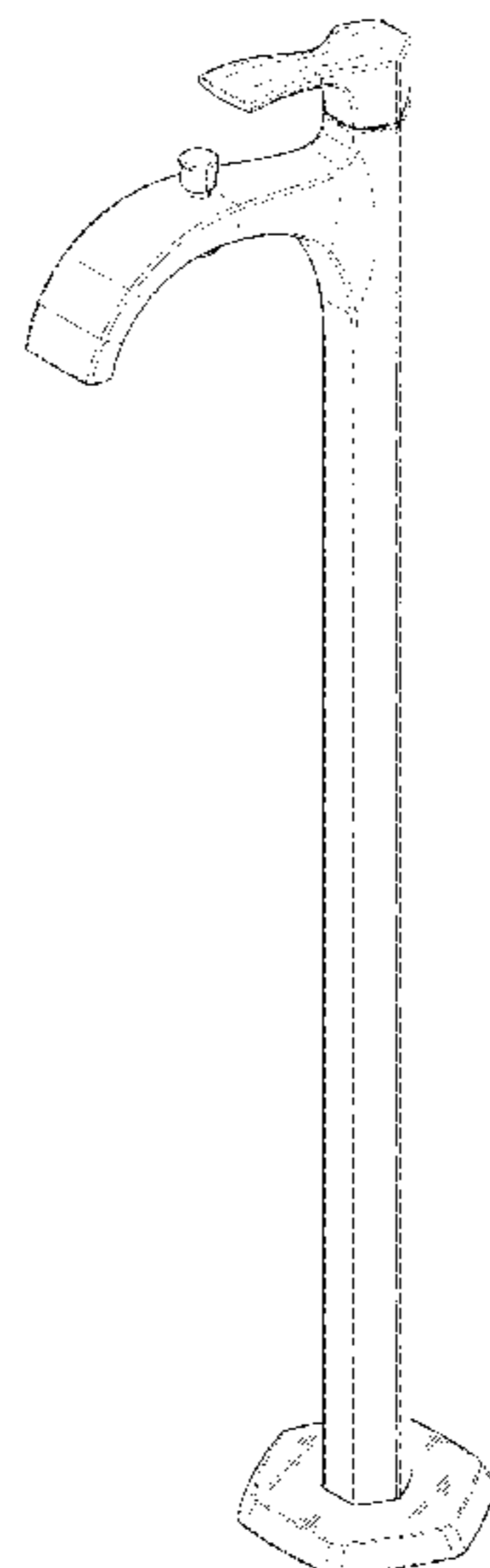
(57) **CLAIM**

The ornamental design for a freestanding tub filler, as shown and described.

**DESCRIPTION**

FIG. 1 is a perspective view of a freestanding tub filler showing our design;  
FIG. 2 is a front elevational view;  
FIG. 3 is a rear elevational view;  
FIG. 4 is a side elevational view;  
FIG. 5 is a side elevational view;  
FIG. 6 is a top plan view; and,  
FIG. 7 is a bottom plan view.  
The broken lines are included for the purpose of illustrating portions of the freestanding tub filler and form no part of the claimed design.

**1 Claim, 7 Drawing Sheets**



(56)

**References Cited**

U.S. PATENT DOCUMENTS

D611,573	S	*	3/2010	Gao	.....	D23/252
D612,458	S	*	3/2010	Allard	.....	D23/255
D618,311	S	*	6/2010	Gao	.....	D23/255
D636,462	S	*	4/2011	Romero	.....	D23/238
D683,825	S	*	6/2013	Sofield	.....	D23/255
D712,521	S	*	9/2014	Smith	.....	D23/257
D718,424	S	*	11/2014	Smith	.....	D23/255
D720,834	S	*	1/2015	Sedwick	.....	D23/255
9,334,633	B2	*	5/2016	Harris	.....	E03C 1/0403
D773,614	S	*	12/2016	Potter	.....	D23/238
D820,411	S	*	6/2018	Huber	.....	D23/242
D831,165	S	*	10/2018	Garuti	.....	D23/255
D834,148	S	*	11/2018	Thomas	.....	D23/242
D842,437	S	*	3/2019	McKeone	.....	D23/257
D851,733	S	*	6/2019	Spangler	.....	D23/252

OTHER PUBLICATIONS

Amazon, U-Enjoy Brush Gold Bathroom Basin Faucet, posted May 18, 2020, [online], [visited Mar. 15, 2022]. Internet, <URL: <https://www.amazon.co.uk/G0000D-Faucet-Bathroom-Lavatory-Material-Shipping/dp/B089NZ7KRR/ref>> (Year: 2020).\*

\* cited by examiner

FIG. 1

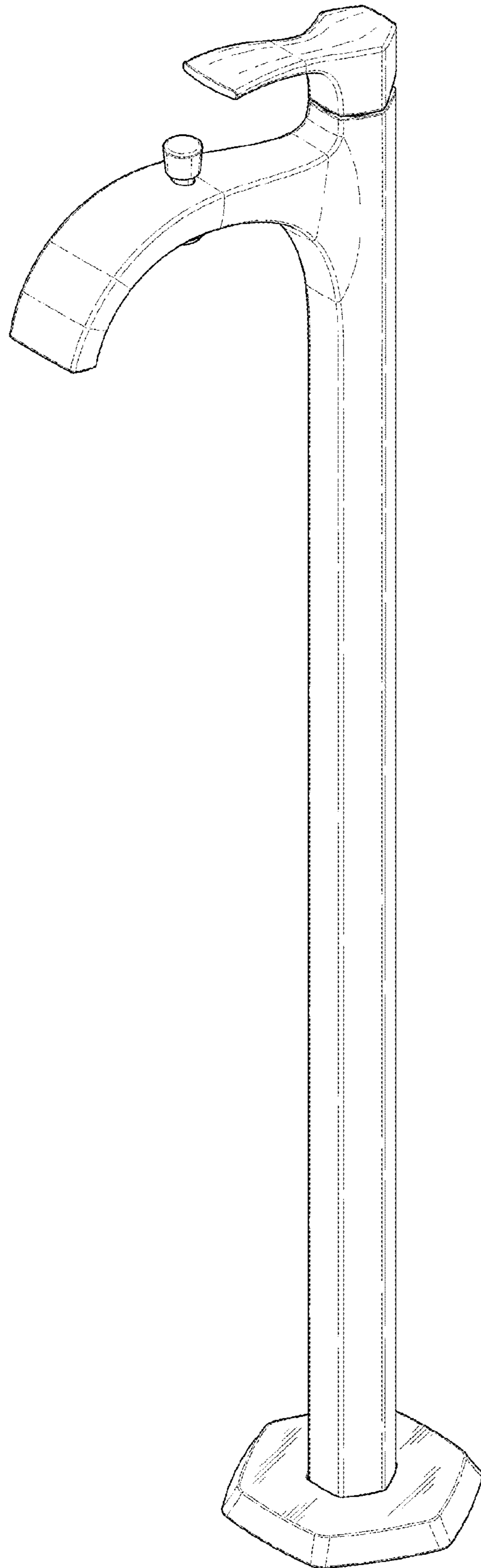


FIG. 2

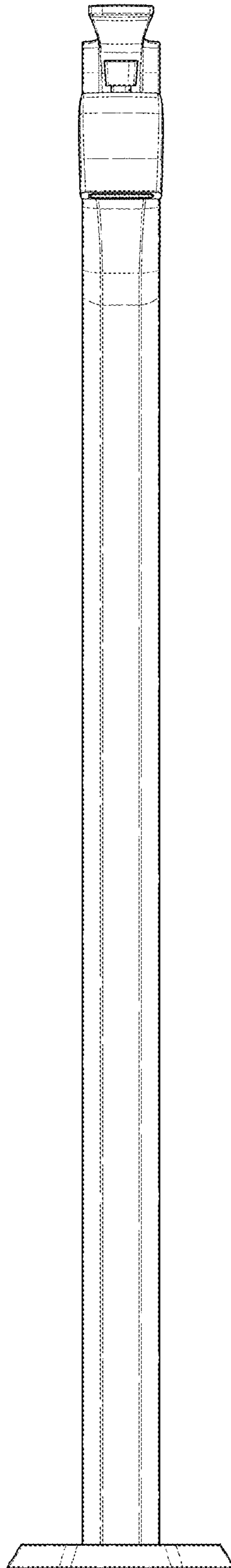


FIG. 3

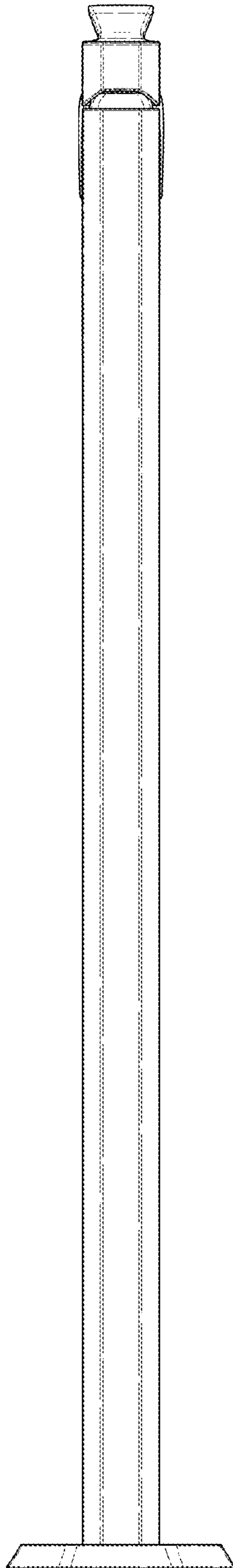


FIG. 4

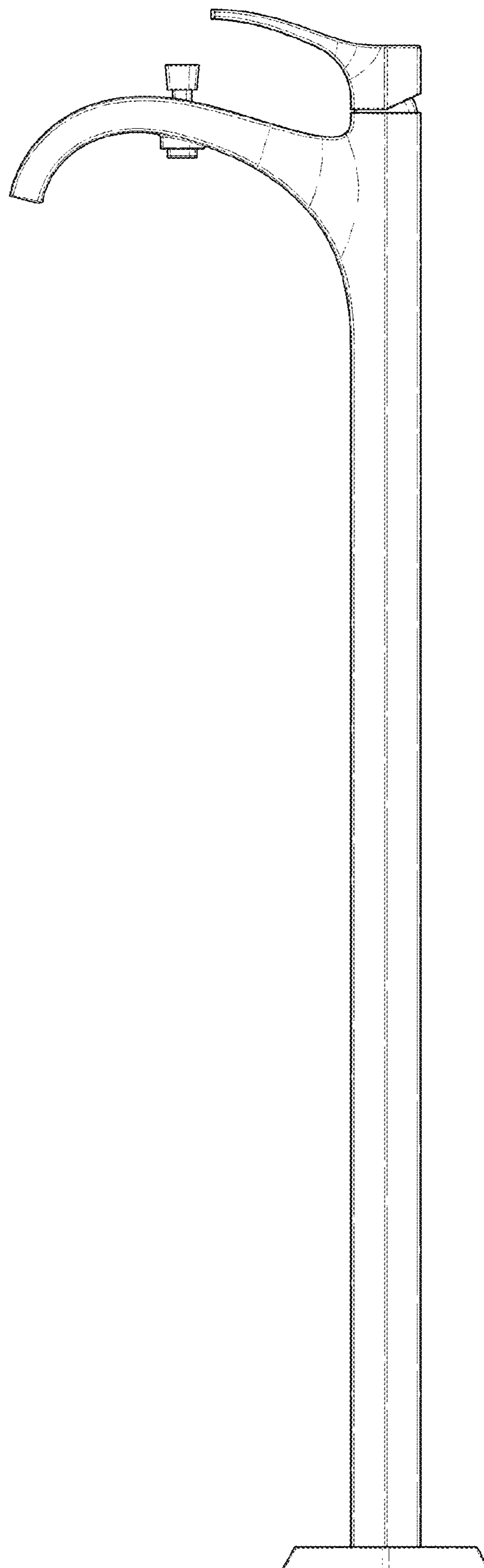


FIG. 5

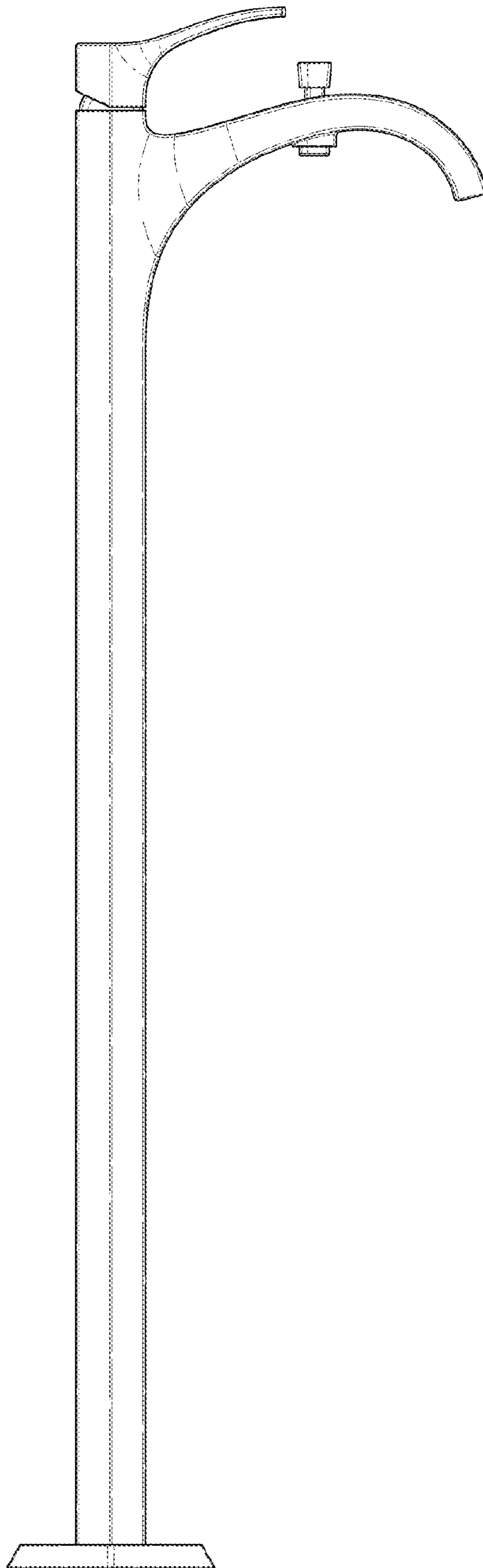


FIG. 6

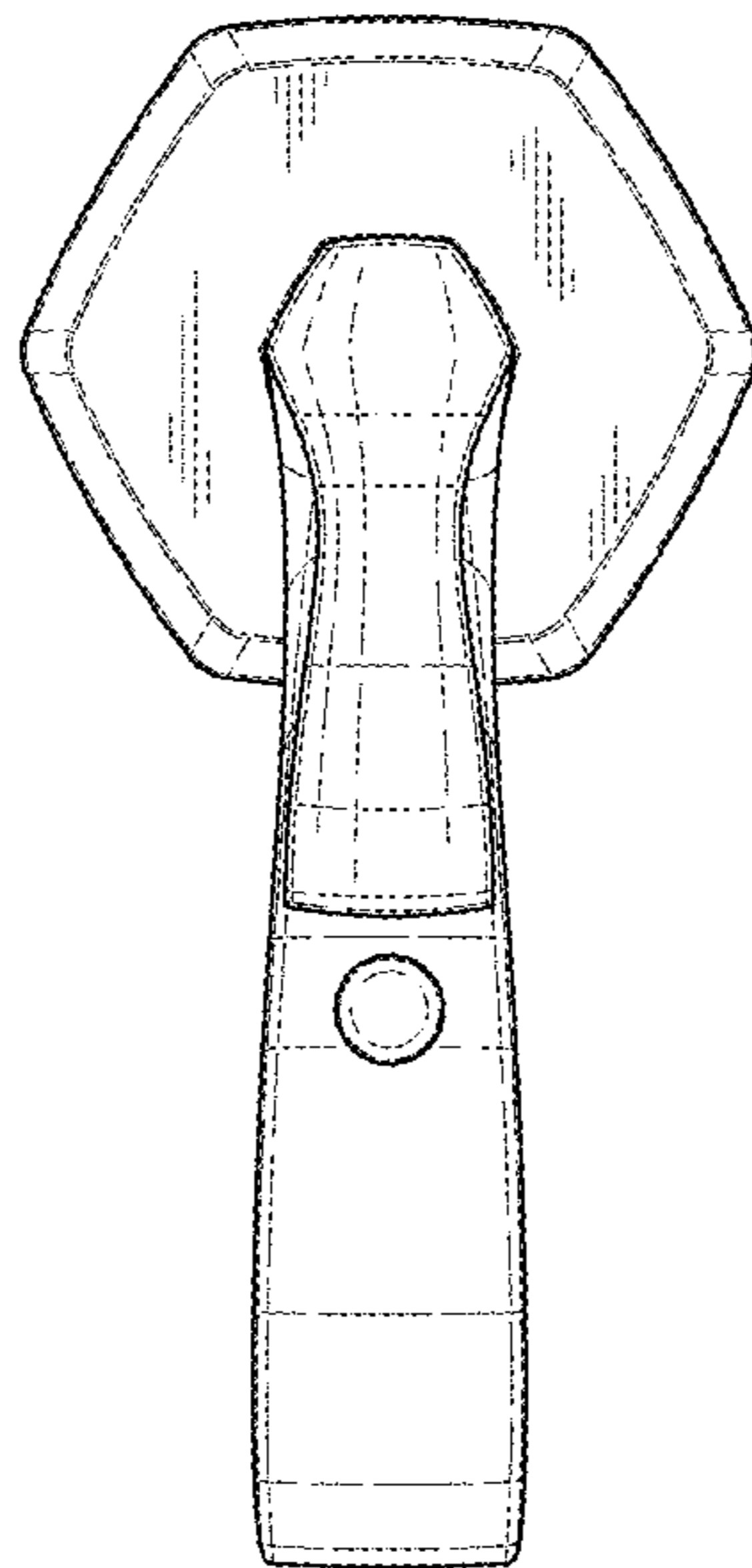




FIG. 7

