



US00D959615S

(12) **United States Design Patent**
McKeone

(10) **Patent No.:** **US D959,615 S**
(45) **Date of Patent:** **** Aug. 2, 2022**

(54) **FAUCET**
(71) Applicant: **Kohler Co.**, Kohler, WI (US)
(72) Inventor: **William C. McKeone**, Sheboygan, WI (US)
(73) Assignee: **KOHLER CO.**, Kohler, WI (US)
(**) Term: **15 Years**

D568,967 S 5/2008 Williams et al.
D601,227 S 9/2009 Sieger
D608,419 S 1/2010 Kohler et al.
D608,420 S 1/2010 Kohler
D613,375 S 4/2010 Hanna
D613,822 S 4/2010 Hanna
D622,821 S 8/2010 Sandee
D625,393 S 10/2010 Sieger
D625,778 S 10/2010 Sandee
D630,304 S 1/2011 Sandee

(Continued)

(21) Appl. No.: **29/810,594**

OTHER PUBLICATIONS

(22) Filed: **Oct. 6, 2021**

Foreign Action other than Search Reporton IN 319711-001 dated Aug. 27, 2019.

(Continued)

Related U.S. Application Data

(62) Division of application No. 29/787,166, filed on Jun. 4, 2021, now Pat. No. Des. 935,570, which is a division of application No. 29/758,986, filed on Nov. 19, 2020, now Pat. No. Des. 928,291, which is a division of application No. 29/744,721, filed on Jul. 30, 2020, now Pat. No. Des. 905,828, which is a division of application No. 29/680,383, filed on Feb. 15, 2019, now Pat. No. Des. 893,681.

Primary Examiner — Robert A Delehanty

(74) *Attorney, Agent, or Firm* — Foley & Lardner LLP

(51) **LOC (13) Cl.** **23-01**

(52) **U.S. Cl.**

USPC **D23/255**

(58) **Field of Classification Search**

USPC D23/238, 241–243, 249, 255, 257

CPC Y10T 137/9464; Y10T 137/6014; Y10T 137/6017

See application file for complete search history.

(57) **CLAIM**

I claim the ornamental design for a faucet, as shown and described.

DESCRIPTION

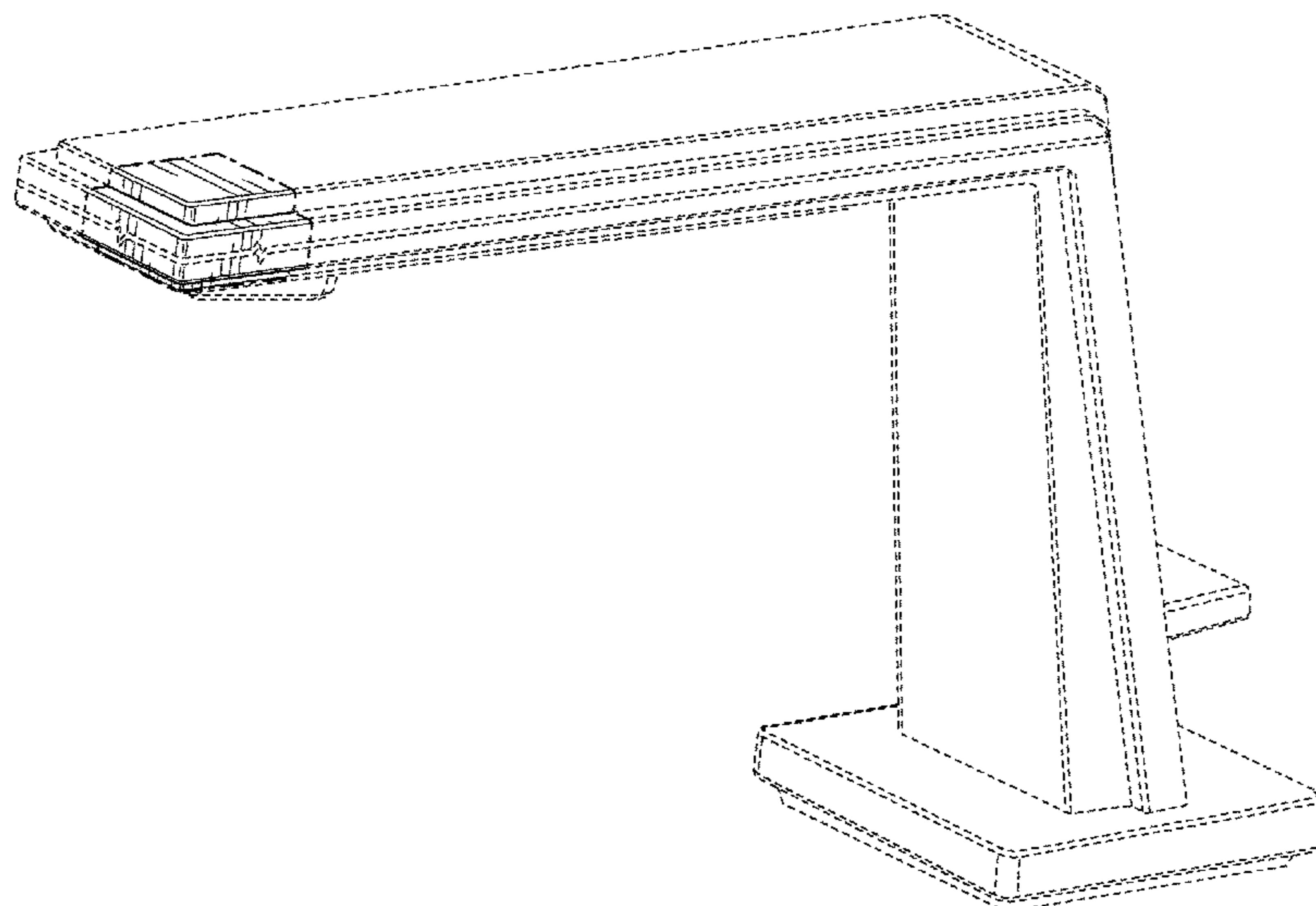
FIG. 1 is a perspective view of the claimed design; FIG. 2 is a side view of the embodiment of FIG. 1; FIG. 3 is another side view of the embodiment of FIG. 1; FIG. 4 is a front view of the embodiment of FIG. 1; FIG. 5 is a rear view of the embodiment of FIG. 1; FIG. 6 is a top view of the embodiment of FIG. 1; and, FIG. 7 is a bottom view of the embodiment of FIG. 1. The ornamental design which is claimed is shown in solid lines in the drawings. The broken lines in the drawings are for illustrative purposes only and form no part of the claimed design. Broken lines formed of unequal length dashes (i.e., dash-dot) define bounds of the claimed design. Break lines having a jagged element are not part of the claimed design and the appearance of any portion of the article between the broken away symbols forms no part of the claimed design.

(56) **References Cited**

U.S. PATENT DOCUMENTS

D265,229 S 6/1982 Paul
D317,349 S 6/1991 Rodstein
D331,620 S 12/1992 Bell
D342,777 S 12/1993 Paul
D503,217 S 3/2005 Aubry et al.
D512,487 S 12/2005 Kulig et al.

1 Claim, 5 Drawing Sheets



(56)

References Cited

U.S. PATENT DOCUMENTS

D632,369 S	2/2011	Kulig
D635,223 S	3/2011	Sandee et al.
D692,104 S	10/2013	Gessi
D720,436 S	12/2014	Hundley et al.
D796,009 S	8/2017	Sieger
D800,262 S	10/2017	Andrew
D822,798 S	7/2018	Sieger
D828,506 S	9/2018	Schoenherr et al.
D845,442 S	4/2019	Eads et al.
D870,243 S	12/2019	Eads et al.

OTHER PUBLICATIONS

Notice of Allowance on U.S. Appl. No. 29/680,383 dated Apr. 23, 2020.

Notice of Allowance on U.S. Appl. No. 29/744,721 dated Nov. 9, 2020.

Notice of Allowance on U.S. Appl. No. 29/758,986 dated May 21, 2021.

Notice of Allowance on U.S. Appl. No. 29/787,166 dated Jul. 14, 2021.

U.S. Office Action on U.S. Appl. No. 29/680,383 dated Feb. 21, 2020.

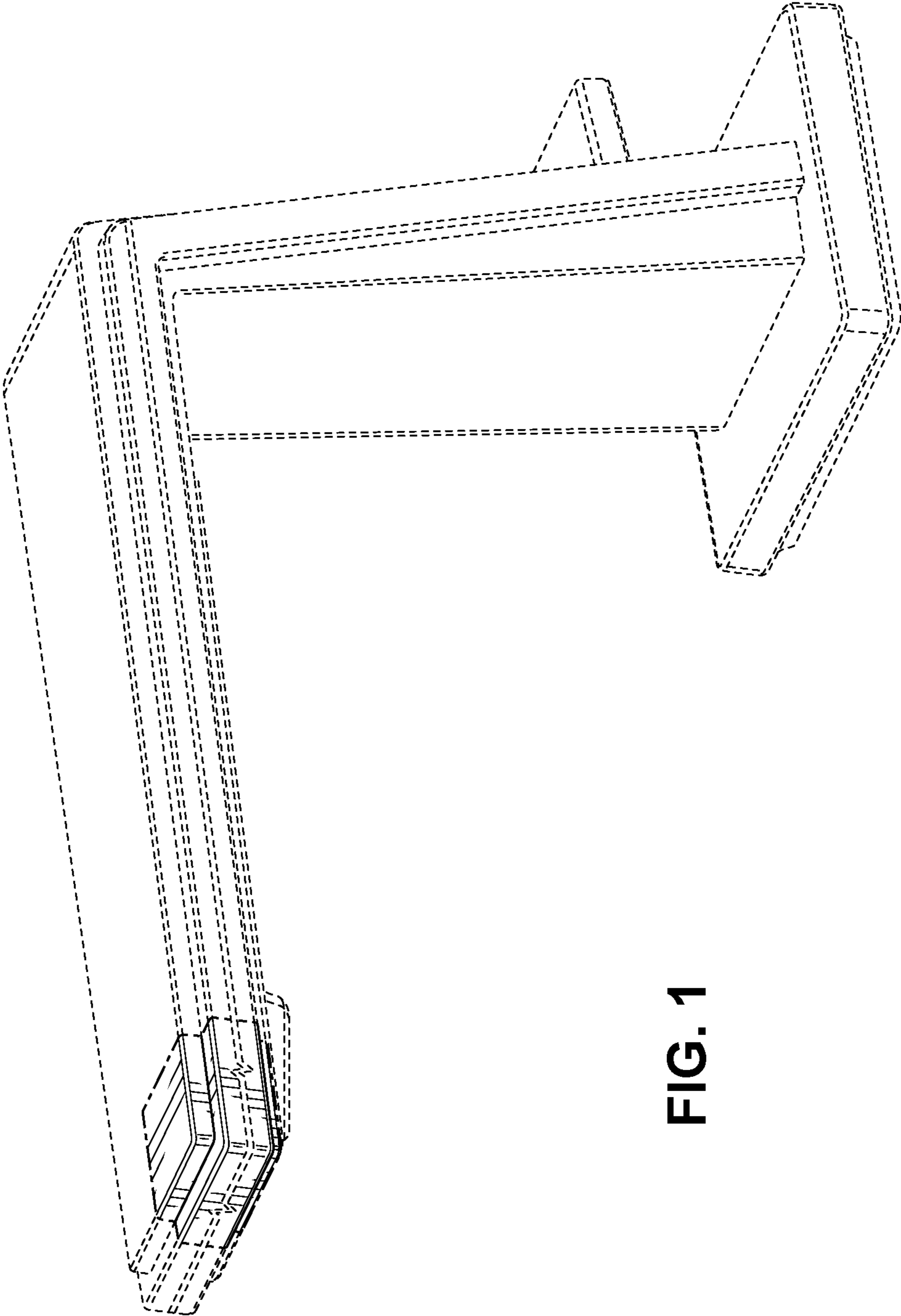


FIG. 1

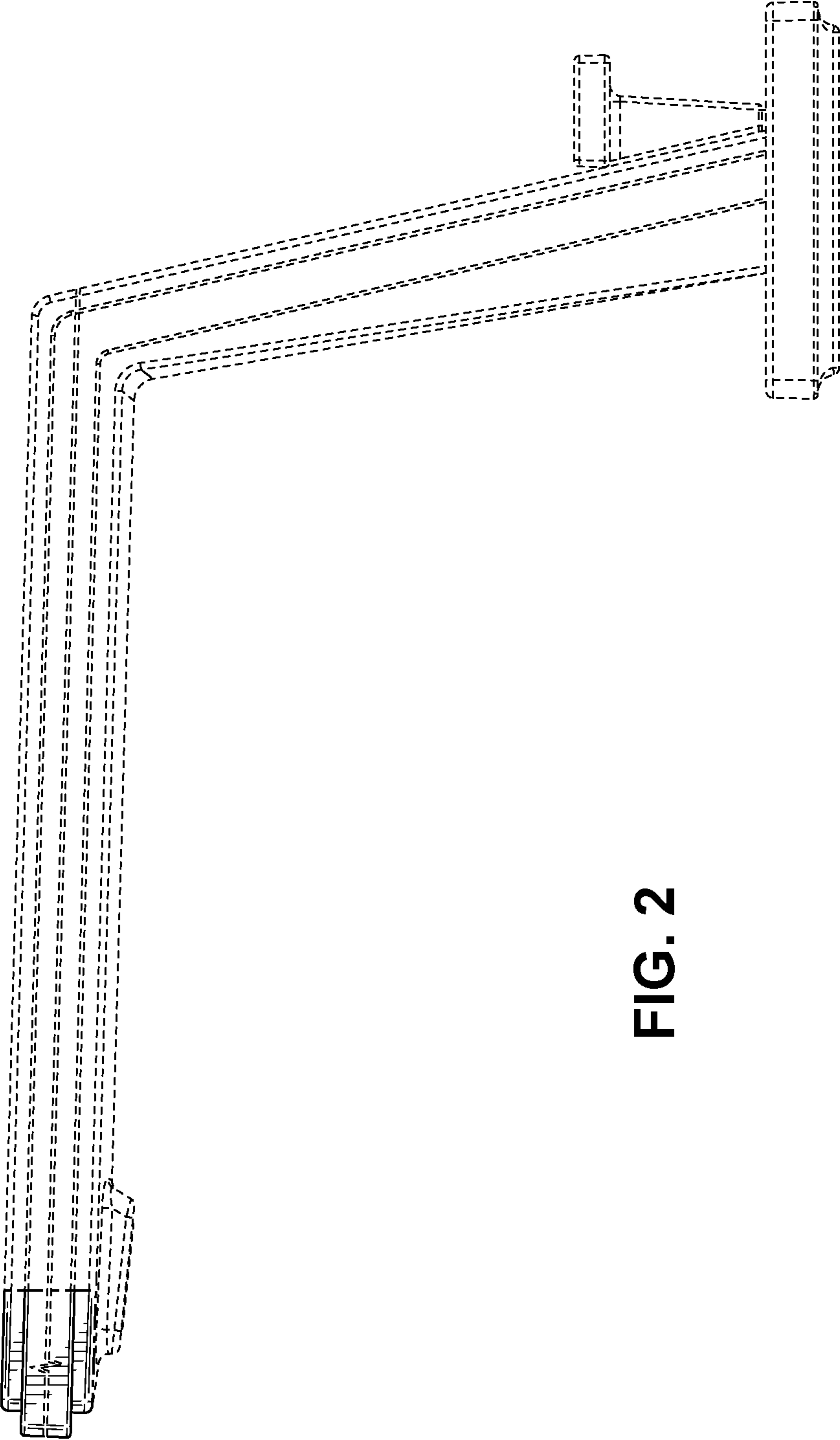


FIG. 2

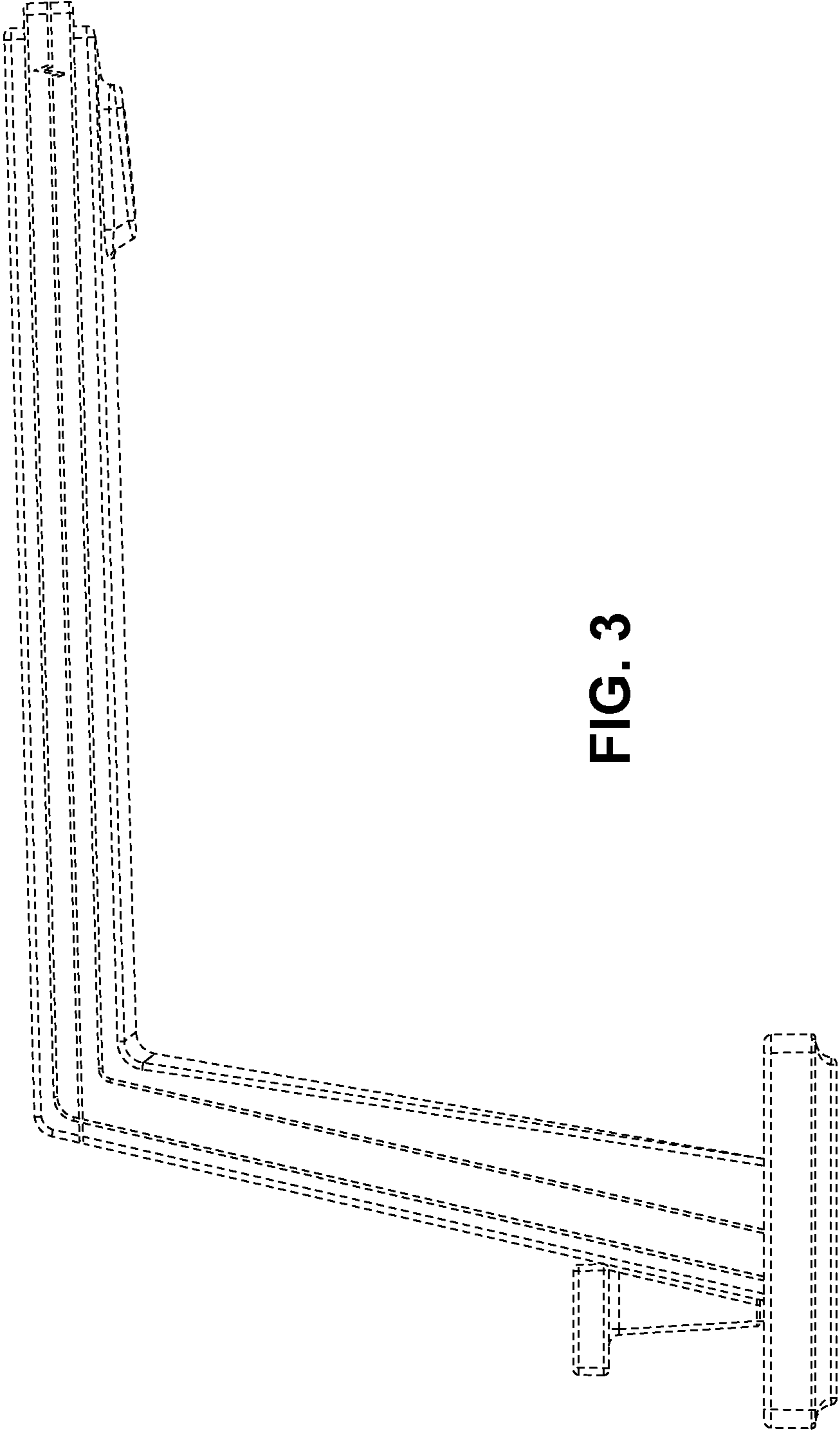


FIG. 3

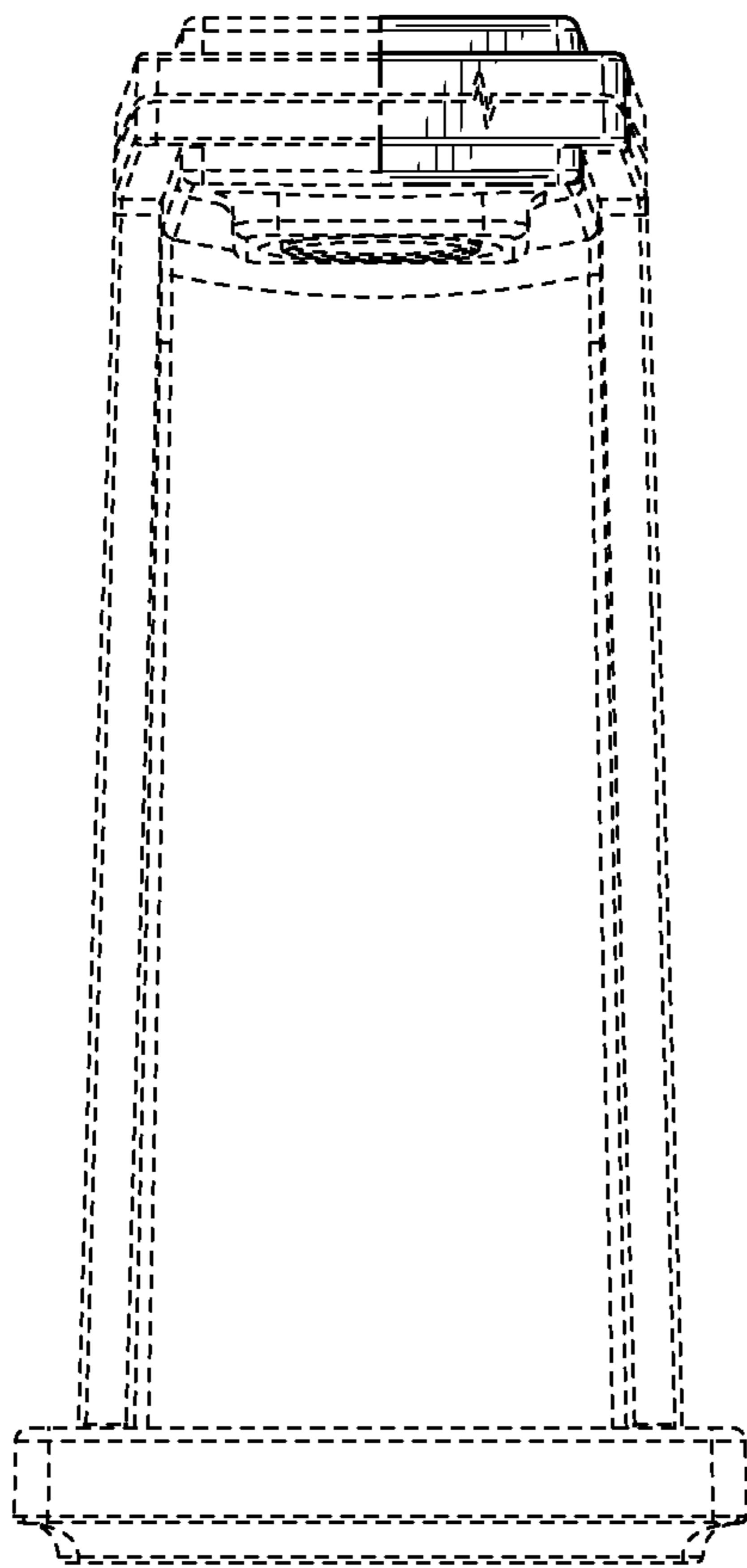


FIG. 4

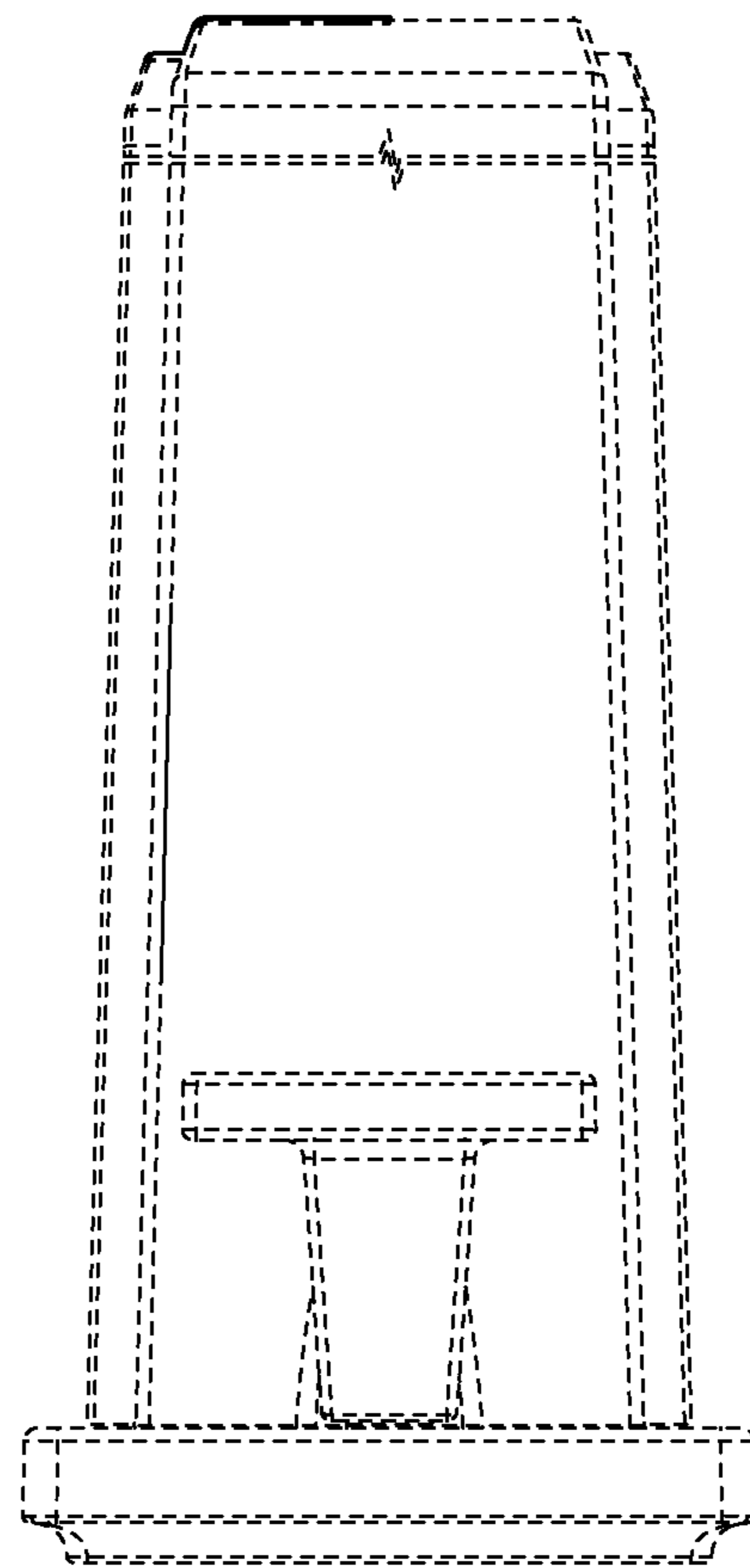


FIG. 5

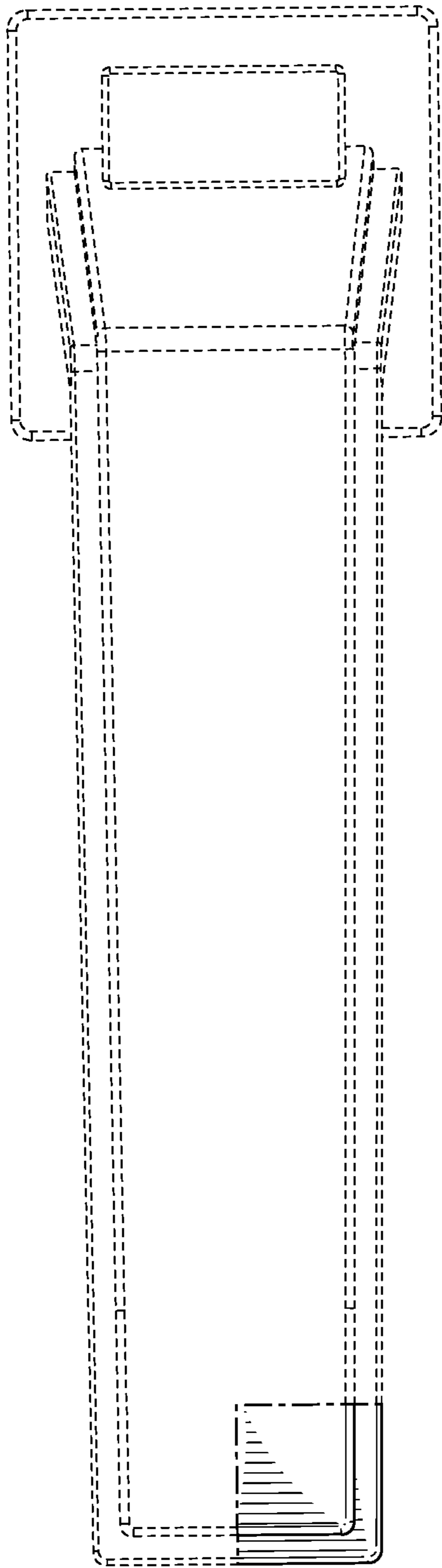


FIG. 6

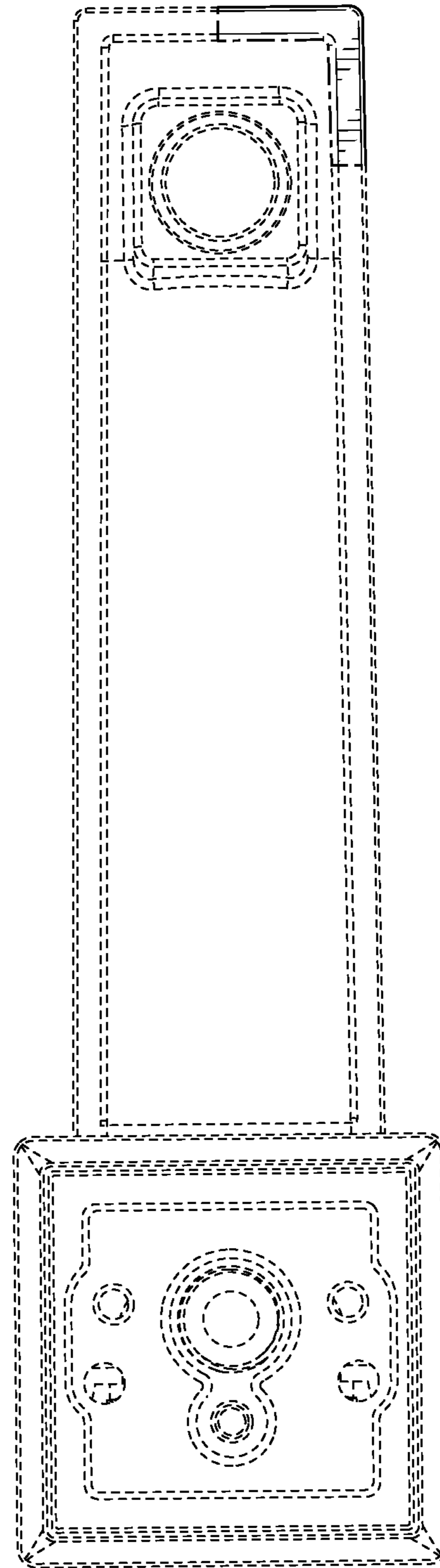


FIG. 7