



US00D959614S

(12) **United States Design Patent** (10) **Patent No.:** **US D959,614 S**
Soulier et al. (45) **Date of Patent:** **** Aug. 2, 2022**

- (54) **FAUCET**
- (71) Applicant: **Kohler Co.**, Kohler, WI (US)
- (72) Inventors: **Jean-Hugues Soulier**, Vaucresson (FR);
Ferran Serra Sola, Paris (FR)
- (73) Assignee: **KOHLER CO.**, Kohler, WI (US)
- (**) Term: **15 Years**
- (21) Appl. No.: **29/808,841**
- (22) Filed: **Sep. 23, 2021**

D292,820 S 11/1987 Kemp
 D310,862 S 9/1990 Strignano
 D310,865 S 9/1990 Strignano
 (Continued)

FOREIGN PATENT DOCUMENTS

DE 10 2019 005 946 A1 2/2021

OTHER PUBLICATIONS

amazon.com, "712-C Chrome Single Handle Kitchen Faucet",
 Internet URL: <https://www.amazon.com/MR-Direct-712-ABR-Antique-Kitchen/dp/B009O8F4AA?th=1>, dated May 6, 2009 (7 pages).

(Continued)

Primary Examiner — Robert A Delehanty
 (74) *Attorney, Agent, or Firm* — Foley & Lardner LLP

(57) **CLAIM**

We claim the ornamental design for a faucet, as shown and described.

DESCRIPTION

FIG. 1 is a top, front, right perspective view of the claimed design;
 FIG. 2 is a right side elevation view thereof;
 FIG. 3 is a left side elevation view thereof;
 FIG. 4 is a front elevation view thereof;
 FIG. 5 is a rear elevation view thereof;
 FIG. 6 is a top plan view thereof; and,
 FIG. 7 is a bottom plan view thereof.
 The ornamental design which is claimed is shown in solid lines in the drawings. The broken lines in the drawings are for illustrative purposes only and form no part of the claimed design. Broken lines formed by equal length dashes show unclaimed subject matter. Broken lines formed by unequal length dashes (i.e., dash-dot) define bounds of the claimed design.

1 Claim, 5 Drawing Sheets

Related U.S. Application Data

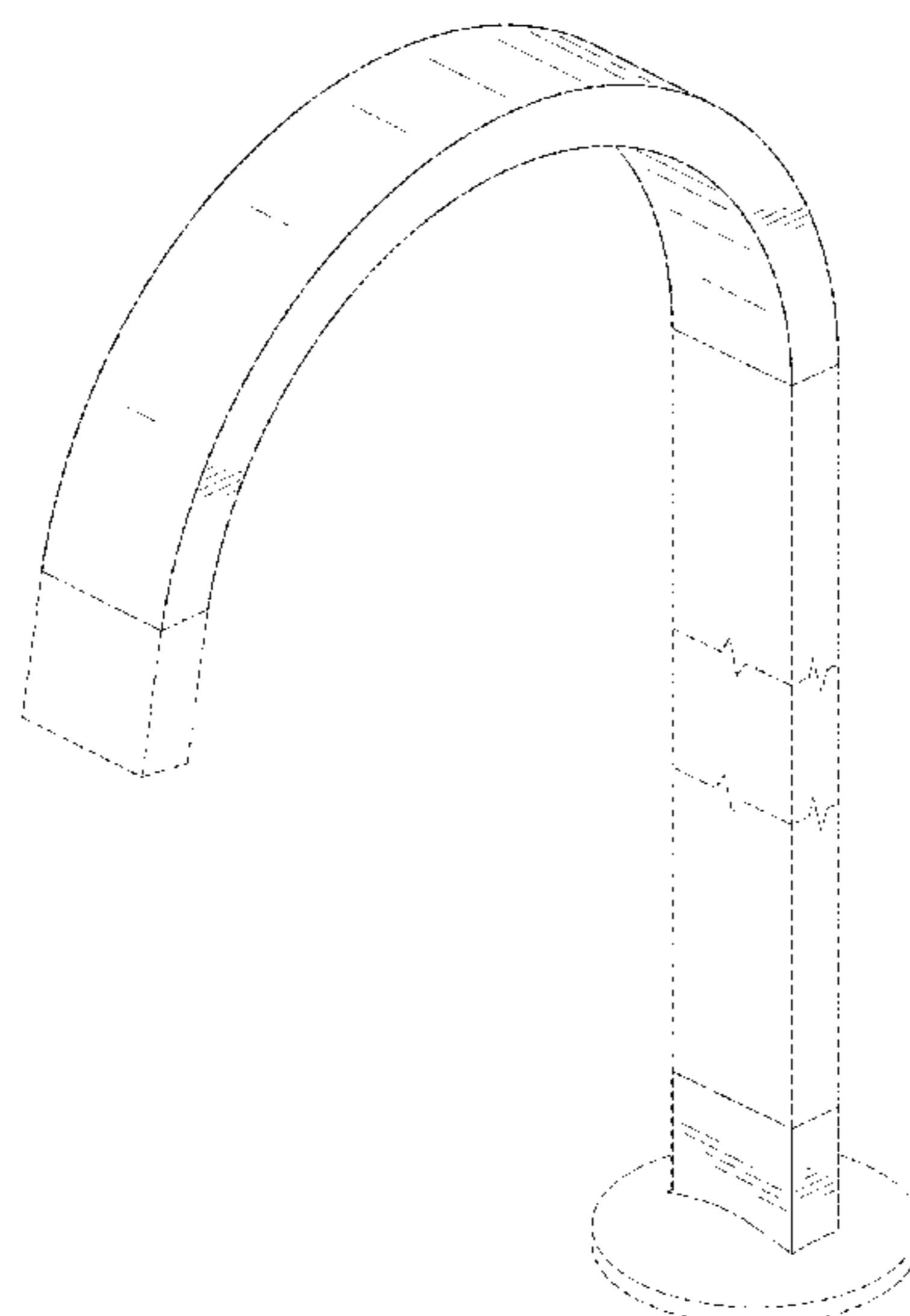
- (60) Continuation of application No. 29/794,354, filed on Jun. 11, 2021, which is a division of application No. 29/658,287, filed on Jul. 30, 2018, now Pat. No. Des. 925,703, which is a division of application No. 29/641,526, filed on Mar. 22, 2018, now Pat. No. Des. 901,643, which is a division of application No. 29/595,301, filed on Feb. 27, 2017, now Pat. No. Des. 823,441.

- (51) **LOC (13) Cl.** **23-01**
- (52) **U.S. Cl.**
USPC **D23/255**
- (58) **Field of Classification Search**
USPC D23/238–243, 255, 257
CPC ... Y10T 137/9464; E03C 1/04; E03C 1/0402;
E03C 1/0404
See application file for complete search history.

(56) **References Cited**

U.S. PATENT DOCUMENTS

D59,314 S 10/1921 Winsen
 D63,931 S 2/1924 Bowden
 D110,995 S 8/1938 Bellem, Jr.
 D127,734 S 6/1941 Dreyfuss
 D254,265 S 2/1980 Karamian
 4,499,630 A 2/1985 Harris
 D279,213 S 6/1985 Paul



(56)

References Cited

U.S. PATENT DOCUMENTS

D311,438 S 10/1990 Strignano
 D312,495 S 11/1990 Joerger
 D354,548 S 1/1995 Bollenbacher et al.
 D377,337 S 1/1997 Schaeffer
 D441,059 S 4/2001 Fleischmann
 D441,844 S 5/2001 Fleischmann
 D441,845 S 5/2001 Fleischmann
 D442,263 S 5/2001 Warshawsky et al.
 D454,513 S 3/2002 Gueit
 D462,421 S 9/2002 Hundley
 D466,977 S * 12/2002 Cummings D23/238
 D467,489 S 12/2002 Rubinson
 D469,157 S * 1/2003 Lobermeier D23/238
 D479,309 S 9/2003 Haug et al.
 D487,586 S 3/2004 Haug et al.
 D487,924 S 3/2004 Lin
 D490,881 S 6/2004 Lin
 D513,060 S * 12/2005 Ouyoung D23/238
 D516,677 S 3/2006 Haug et al.
 D526,883 S 8/2006 Gilbert
 D527,794 S 9/2006 Sieger
 D528,189 S * 9/2006 Kulig D23/238
 D531,277 S 10/2006 Tsai
 D531,698 S 11/2006 Wood et al.
 D531,702 S 11/2006 Haug et al.
 D535,725 S 1/2007 Chu et al.
 D536,065 S * 1/2007 Wang D23/238
 D541,383 S 4/2007 Green
 D541,909 S 5/2007 Schonherr et al.
 D542,384 S 5/2007 Starck
 D543,609 S 5/2007 Dolan
 D548,563 S 8/2007 Hoernig
 D564,073 S 3/2008 Shieh
 D568,447 S 5/2008 Lai
 D568,715 S 5/2008 Gustafson et al.
 D571,893 S * 6/2008 Celli D23/238
 D580,014 S 11/2008 Citterio
 D581,026 S 11/2008 Citterio
 D581,494 S 11/2008 Dolan et al.
 D584,798 S 1/2009 Zetsche et al.
 D584,799 S 1/2009 Zetsche et al.
 D592,284 S 5/2009 Lammel et al.
 D592,733 S 5/2009 Lammel et al.
 D594,934 S 6/2009 Vu et al.
 D597,175 S * 7/2009 Kulig D23/238
 D597,632 S 8/2009 Obara et al.
 D598,072 S 8/2009 Zetsche et al.
 D602,570 S 10/2009 Lammel et al.
 D603,022 S 10/2009 Schonherr
 D608,863 S 1/2010 Pan
 D615,162 S * 5/2010 Pan D23/255
 D622,820 S 8/2010 Bouroullec et al.
 D624,991 S 10/2010 Kulig
 D627,858 S 11/2010 Hanna
 D627,861 S 11/2010 Sandee
 D631,726 S 2/2011 Sanchez
 D635,651 S 4/2011 Schonherr et al.
 D636,061 S 4/2011 Kulig
 D636,062 S 4/2011 Rubin et al.
 D637,271 S 5/2011 Lin
 D641,456 S 7/2011 Bickerstaffe et al.
 D643,095 S 8/2011 Matsuura et al.
 D644,912 S 9/2011 Benhold
 D655,786 S 3/2012 Fukasawa
 D666,276 S 8/2012 Fritz
 D673,652 S 1/2013 Thomas
 D676,531 S * 2/2013 Vibe-Petersen D23/255
 D697,589 S 1/2014 Georgeson
 D698,420 S 1/2014 Hahn
 D704,802 S 5/2014 Hahn et al.
 D705,892 S 5/2014 Standefer et al.
 D713,008 S * 9/2014 Citterio D23/238
 D713,236 S 9/2014 Park
 D714,915 S 10/2014 Von Der Lancken et al.
 D722,259 S 2/2015 Conner

D724,698 S 3/2015 Kulig
 D726,883 S 4/2015 Flowers et al.
 D735,297 S * 7/2015 Sieger D23/238
 D750,203 S * 2/2016 Flowers D23/238
 D754,295 S * 4/2016 Lord D23/238
 D755,350 S 5/2016 Rexach
 D755,352 S 5/2016 Mitsuoka
 D758,545 S * 6/2016 Yabu D23/238
 D761,387 S 7/2016 Yabu et al.
 D767,724 S * 9/2016 Flowers D23/238
 D769,417 S 10/2016 Rexach
 D771,224 S 11/2016 Flowers et al.
 D772,037 S 11/2016 Zimmer
 D781,126 S 3/2017 Pionek
 D786,406 S 5/2017 Schoenherr et al.
 D787,020 S * 5/2017 Ziemann D23/238
 D787,638 S 5/2017 Schoenherr et al.
 D793,534 S 8/2017 Fritz
 D803,989 S 11/2017 Flowers et al.
 D807,476 S 1/2018 Haug et al.
 D811,529 S 2/2018 Schoenherr et al.
 D811,532 S 2/2018 Schoenherr et al.
 D811,552 S 2/2018 Fritz
 D813,988 S 3/2018 Schoenherr et al.
 D813,990 S 3/2018 Schoenherr et al.
 D820,238 S 6/2018 Boshernitzan
 D827,456 S 9/2018 Seum
 D855,762 S 8/2019 Stuart
 D879,055 S 3/2020 Altonen
 D882,891 S 4/2020 Ayers
 D890,754 S 7/2020 Raken
 D937,980 S 12/2021 Williams et al.
 11,306,831 B2 4/2022 Johnston
 2022/0056677 A1 2/2022 Kam
 2022/0095848 A1 3/2022 Wu et al.
 2022/0136221 A1 5/2022 Wu

OTHER PUBLICATIONS

amazon.com, “American Standard 7105801.002 Studio S Widespread Bathroom Faucet with Lever Handles, Polished Chrome”, Internet URL: https://www.amazon.com/American-Standard-7105801-002-Widespread-Bathroom/dp/B075QBJT8C/ref=sr_1_5?crd=2F1THK82YM9C4&keywords=Studio%2BS%2BWidespread%2BBathroom%2BFaucet%2Bwith%2BLever%2BHandles&qid=1641838973&sprefix=studio%2Bs%2Bwidespread%2Bbathroom%2Bfaucet%2Bwith%2Blever%2Bhandles%2Caps%2C89&sr=8-5&th=1, dated Jan. 23, 2017 (10 pages).
 amazon.com, “Delta Faucet Trinsic Single-Handle Kitchen Sink Faucet with Pull Out Sprayer and Diamond Seal Technology, Matte Black 4159-BL-DST”, Internet URL: https://www.amazon.com/Faucet-4159-BL-DST-Signature-Pull-Out-Kitchen/dp/B00DGY15U6/ref=sr_1_52?crd=3KJMU9V0YNH6E&keywords=delta%2Bsingle%2BHandle%2BPull%2BOut%2BKitchen%2BFaucet%2Bin%2BArctic%2BStainless&qid=1641838832&sprefix=delta%2Bsingle%2Bhandle%2Bpull%2Bout%2Bkitchen%2Bfaucet%2Bin%2BArctic%2Bstainless%2Caps%2C76&sr=8-52&th=1, dated Jun. 18, 2013 (11 pages).
 amazon.com, “K7 Single-Handle Pull-Out Kitchen Faucet”, Internet URL: https://www.amazon.com/K7-Single-Handle-Pull-Out-Kitchen-Faucet/dp/B004LGOBSG/ref=sr_1_16?crd=2EHX8G46P55JZ&keywords=GROHE%2BK7%2BSingle%2BHandle%2BPull%2BOut%2BKitchen%2BFaucet%2Bin%2BStarLight%2CAE%2BChrome&qid=1641838625&sprefix=grohe%2Bk7%2Bsingle%2Bhandle%2Bpull%2Bout%2Bkitchen%2Bfaucet%2Bin%2Bstarlight%2Bchrome%2Caps%2C158&sr=8-16&th=1, dated Aug. 3, 2010 (9 pages).
 Amazon, Elli Women’s Ring, posted Oct. 11, 2016, [online], [visited Aug. 23, 2019]. Internet, URL: https://www.amazon.co.uk/El-li-Womens-Sterling-Silver-Plated/dp/B01LPSPKCI/ref=sr_1_79?keywords=hexagon+ring&qid=1566577892&s=gateway&sr=8-79 (Year: 2016).
 Amazon, JewelryWE Multi faceted ring, posted Jul. 13, 2013, [online], [visited Aug. 23, 2019]. Internet, URL: <https://www.amazon.com>

(56)

References Cited

OTHER PUBLICATIONS

co.uk/ JewelryWe-Arrivals-Comfort-Faceted-Engagement/dp/B00 DU
9 FOU E/ref=cm_cr_arp_d_pdt_img_top?ie=UTF8 (Year: 2013).
Amazon, Tioneer Multi-faceted wedding band, posted Oct. 24,
2012, [online], [visited Aug. 23, 2019]. Internet, URL: [https://www.
amazon.co.uk/Tungsten-Carbide-Polish-Multi-Faceted-Wedding/dp/
B005IRP244/ref=cm_cr_arp_d_pdt_img_top?ie=UTF8](https://www.amazon.co.uk/Tungsten-Carbide-Polish-Multi-Faceted-Wedding/dp/B005IRP244/ref=cm_cr_arp_d_pdt_img_top?ie=UTF8) (Year: 2012).
Hotel Management, Classy faucet: The Wheel by Waterstone,
posted Sep. 29, 2016, [online], [visited Aug. 23, 2019]. Internet,
URL: [https://www .hotel management. net/design-trends/classy-
faucet-wheel-by-waterstone](https://www.hotelmanagement.net/design-trends/classy-faucet-wheel-by-waterstone) (Year: 2016).
NPL_ALLMODERN_SINGLE_HANDLE; 6 pgs.
NPL_ALLMODERN_SINGLE_HANDLE_BATHROOM; 6pgs.

* cited by examiner

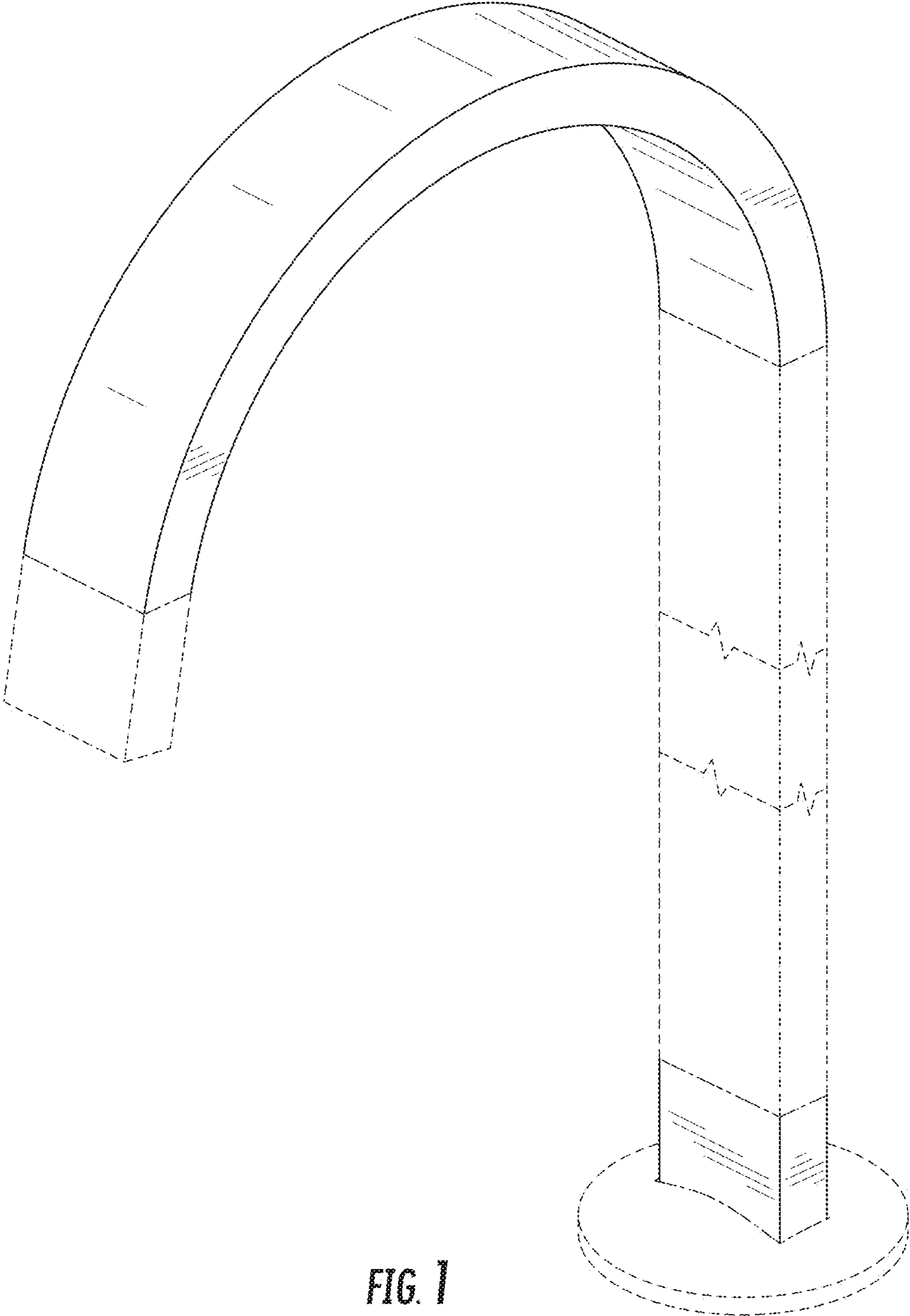


FIG. 1

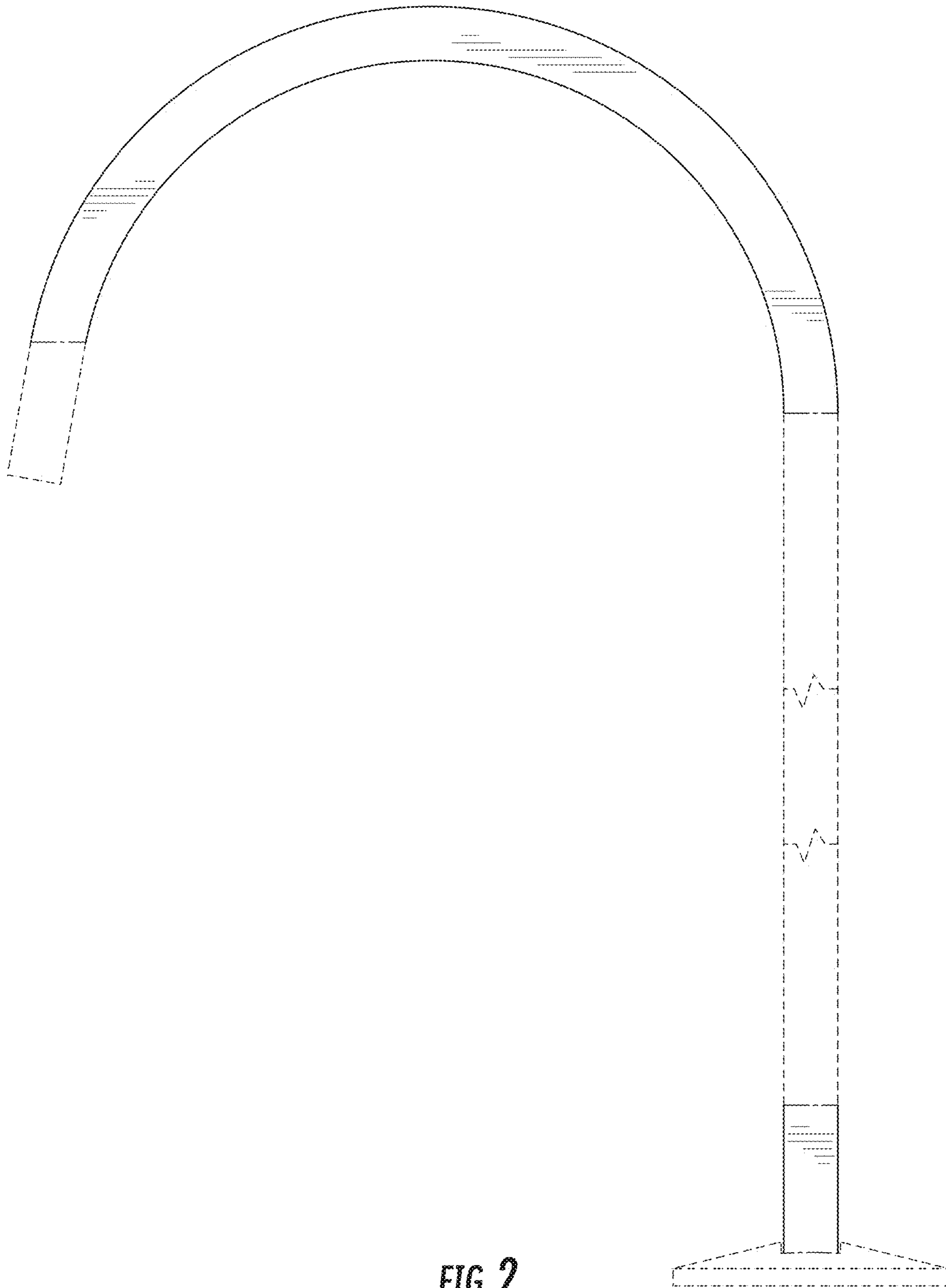


FIG. 2

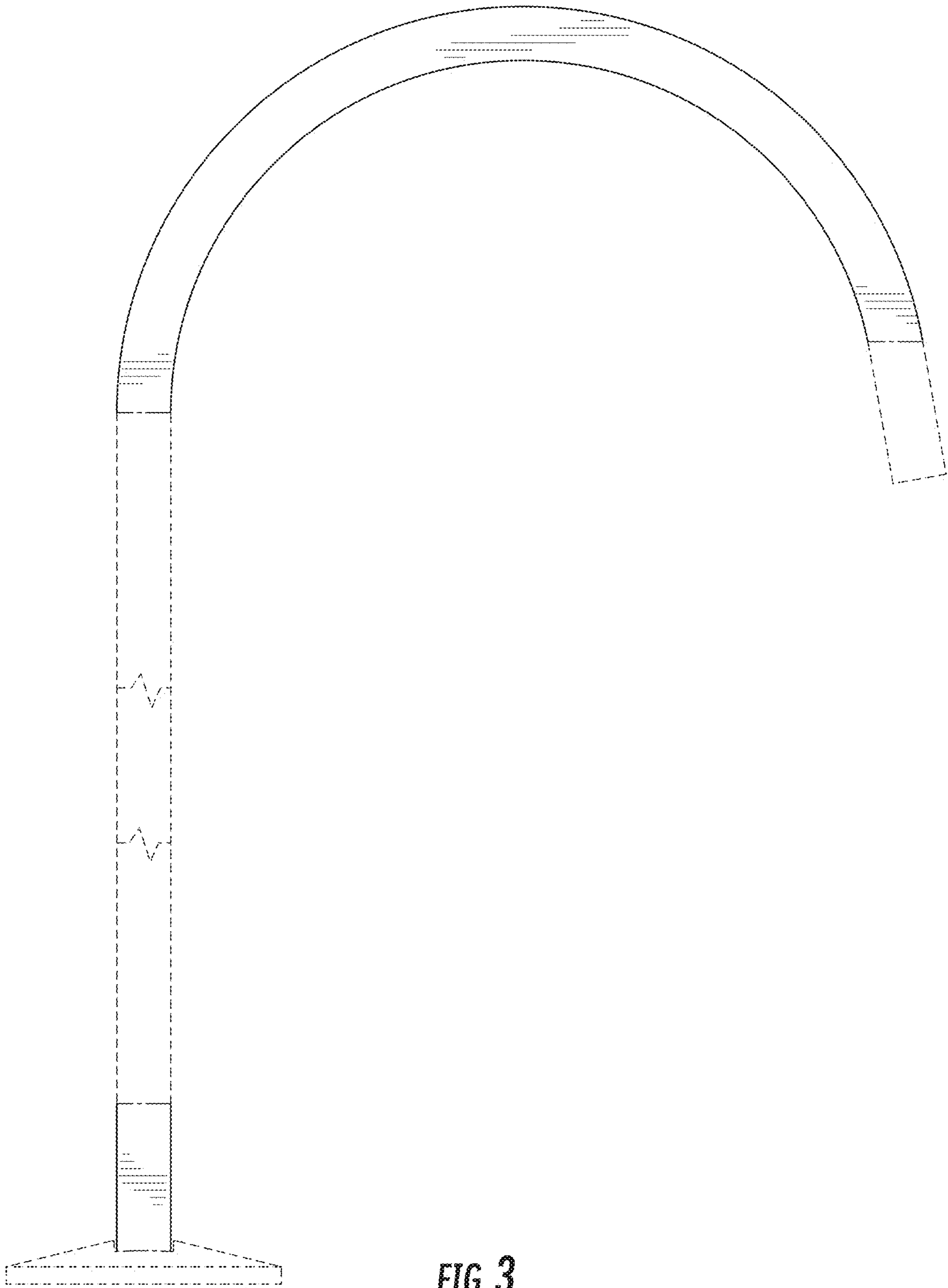


FIG. 3

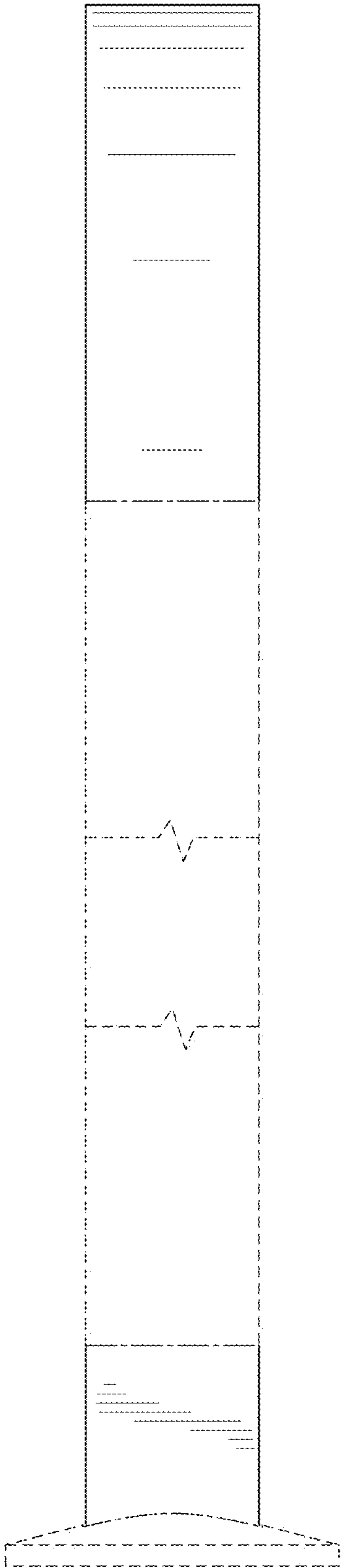


FIG. 4

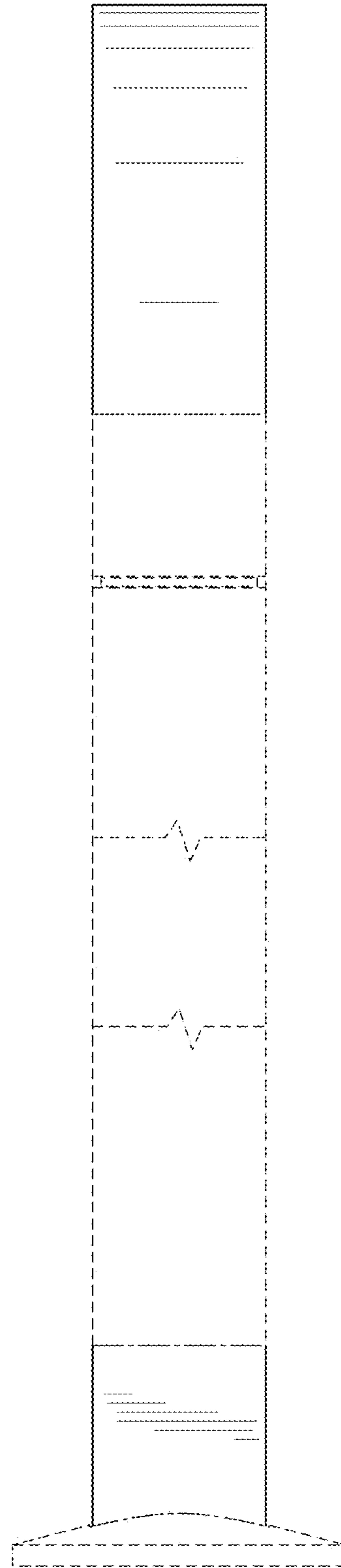


FIG. 5

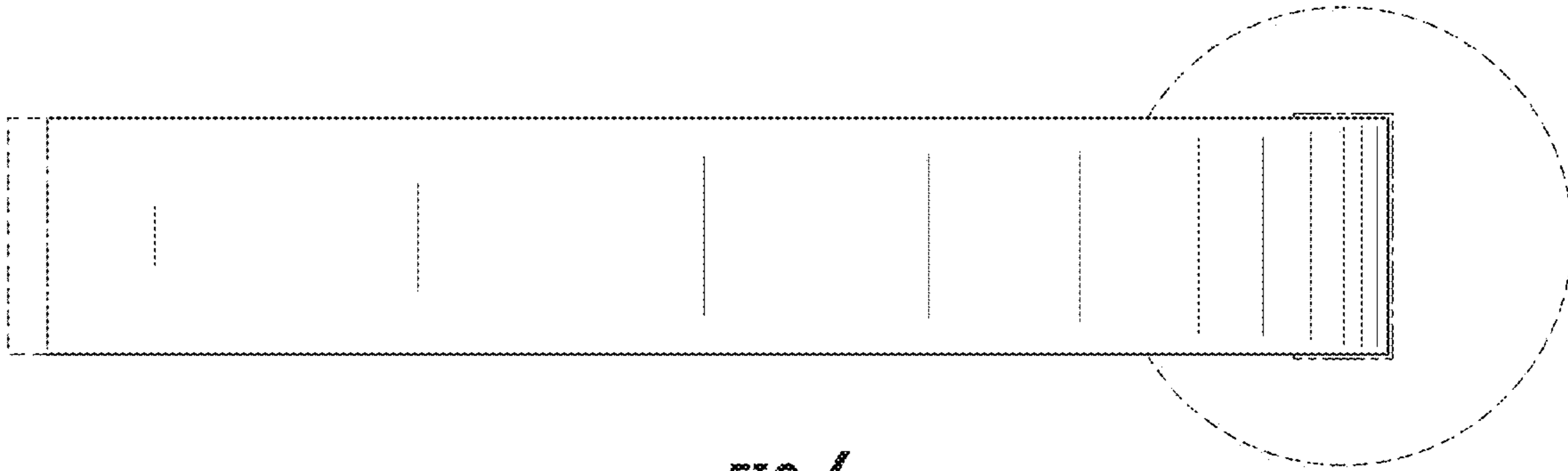


FIG. 6

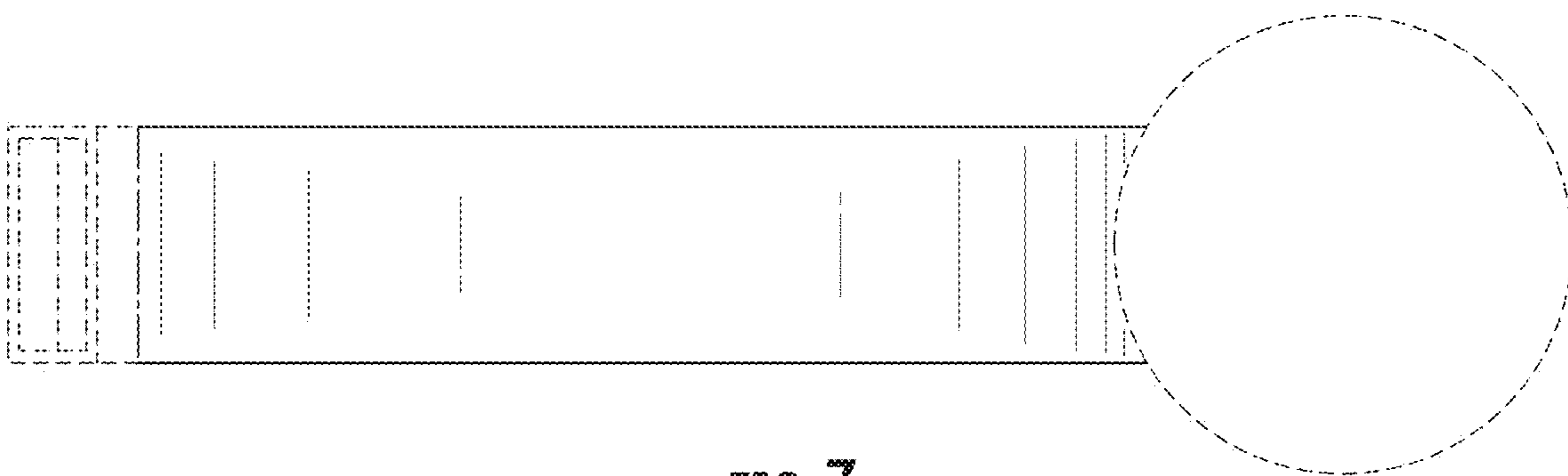


FIG. 7