



US00D959613S

(12) **United States Design Patent** (10) **Patent No.:** **US D959,613 S**
Miller (45) **Date of Patent:** **** Aug. 2, 2022**

- (54) **FAUCET HANDLE**
- (71) Applicant: **DELTA FAUCET COMPANY,**
Indianapolis, IN (US)
- (72) Inventor: **Julia Miller,** Naperville, IL (US)
- (73) Assignee: **DELTA FAUCET COMPANY,**
Indianapolis, IN (US)
- (**) Term: **15 Years**
- (21) Appl. No.: **29/748,394**
- (22) Filed: **Aug. 28, 2020**
- (51) **LOC (13) Cl.** **23-01**
- (52) **U.S. Cl.**
USPC **D23/252**
- (58) **Field of Classification Search**
USPC D23/238-243, 250, 252, 254;
D8/307-308
CPC Y10T 137/9464
See application file for complete search history.

- D648,423 S * 11/2011 Corbett D23/250
- D656,587 S * 3/2012 Ko D23/242
- 9,175,458 B2 * 11/2015 Meehan E03C 1/04
- D817,453 S * 5/2018 Wang D23/238
- D874,614 S * 2/2020 Lazarini D23/238
- D896,347 S * 9/2020 Lazarini D23/238

* cited by examiner

Primary Examiner — Robert A Delehanty

(74) *Attorney, Agent, or Firm* — Nirav D. Parikh; Edgar A. Zarins

(57) **CLAIM**

The ornamental design for a faucet handle, as shown and described.

DESCRIPTION

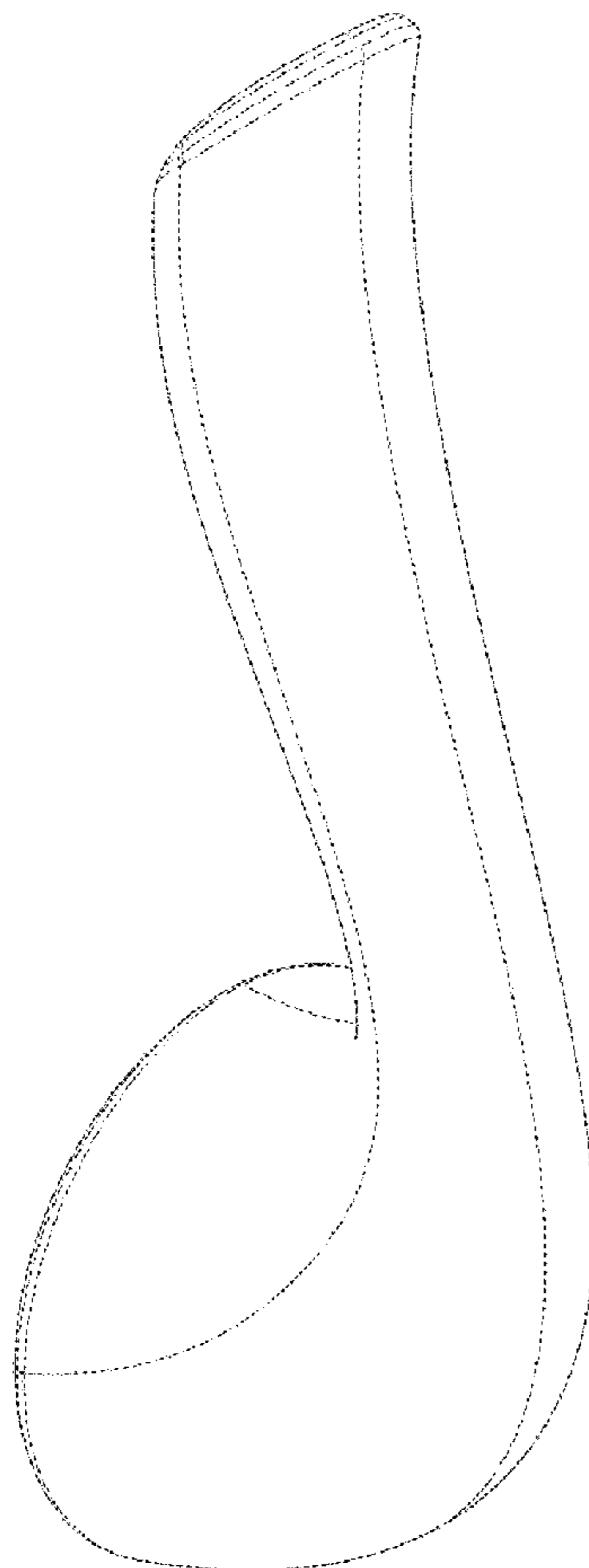
FIG. 1 is a front perspective view of a faucet handle showing my new design;
FIG. 2 is a rear perspective view thereof;
FIG. 3 is a front elevational view thereof;
FIG. 4 is a left side view thereof;
FIG. 5 is a rear view thereof;
FIG. 6 is a right side view thereof;
FIG. 7 is a top plan view thereof; and,
FIG. 8 is a bottom view thereof.

(56) **References Cited**

U.S. PATENT DOCUMENTS

- D448,067 S * 9/2001 Pitsch D23/252
- D599,442 S * 9/2009 Fakonas D23/252

1 Claim, 4 Drawing Sheets



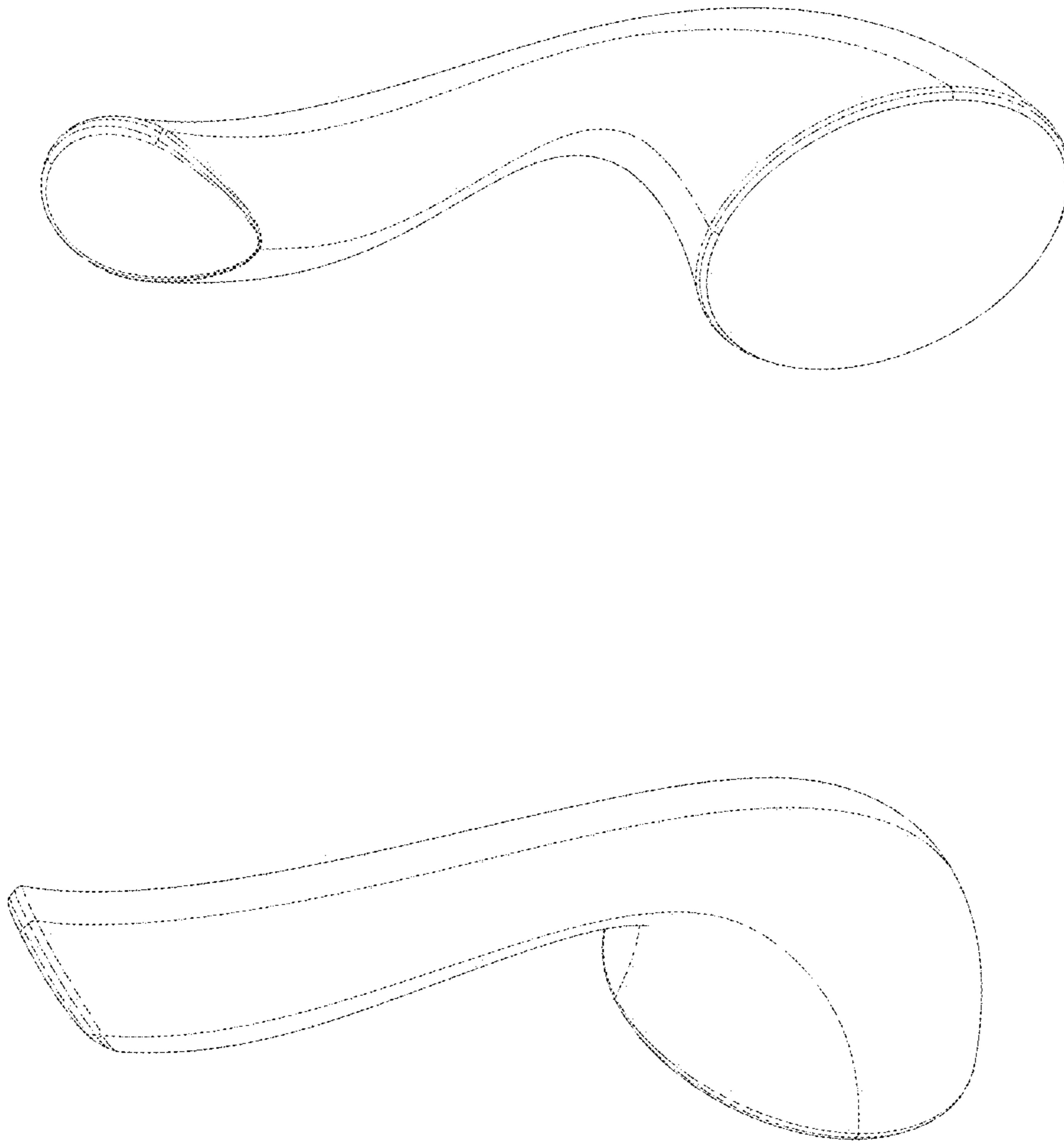


FIG - 2

FIG - 1

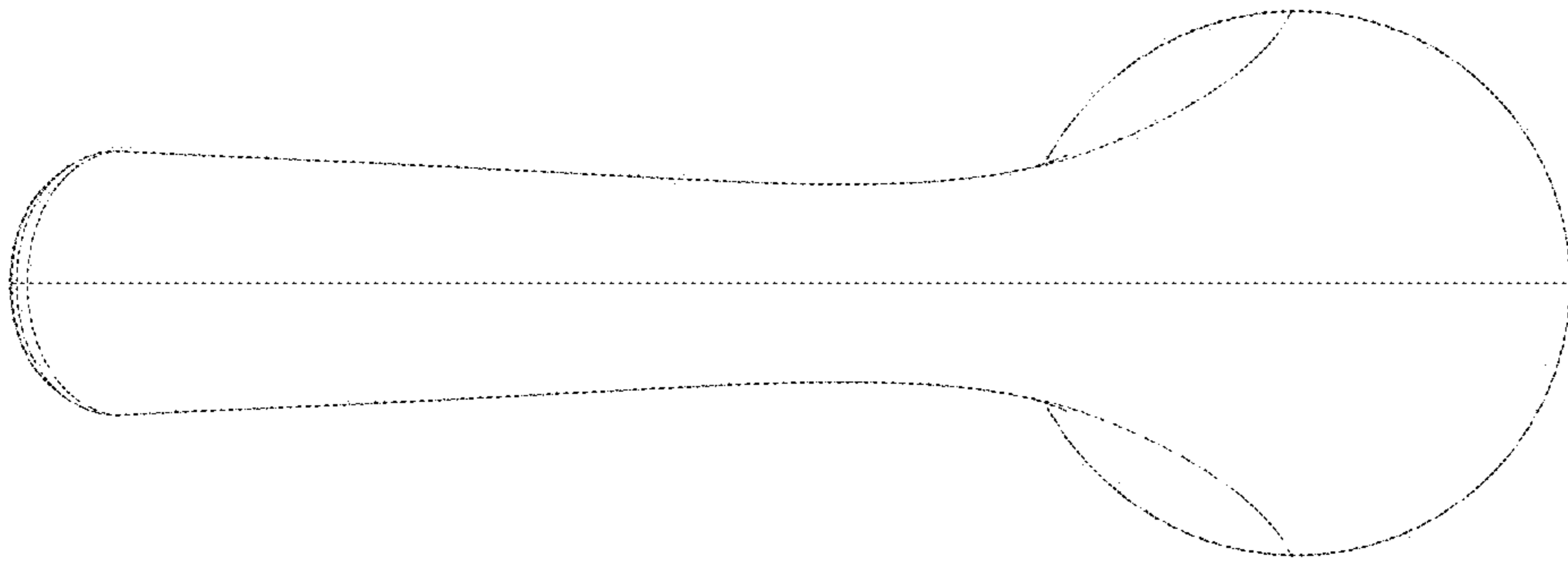


FIG - 4

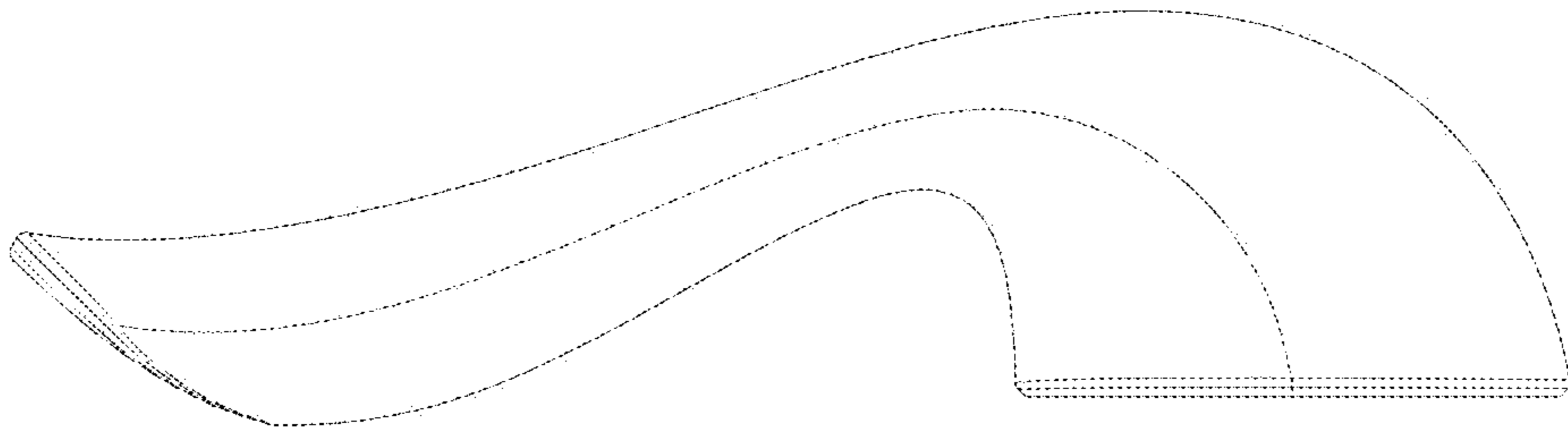


FIG - 3

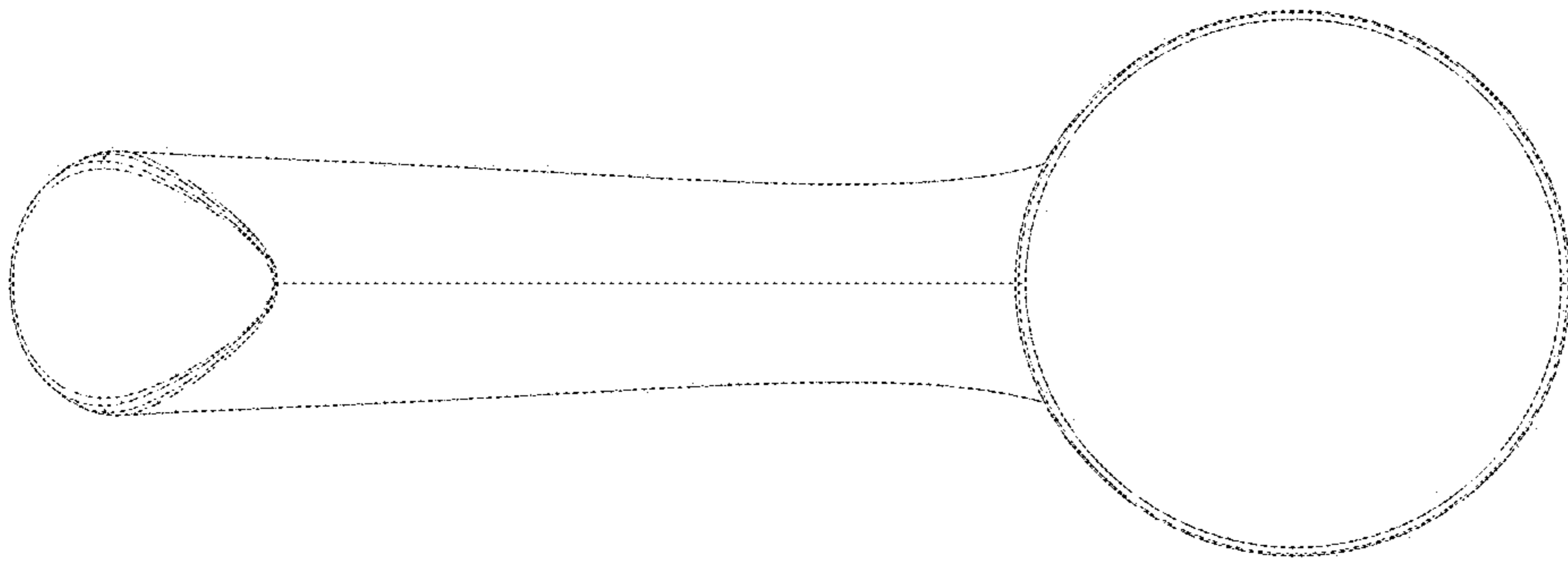


FIG - 6

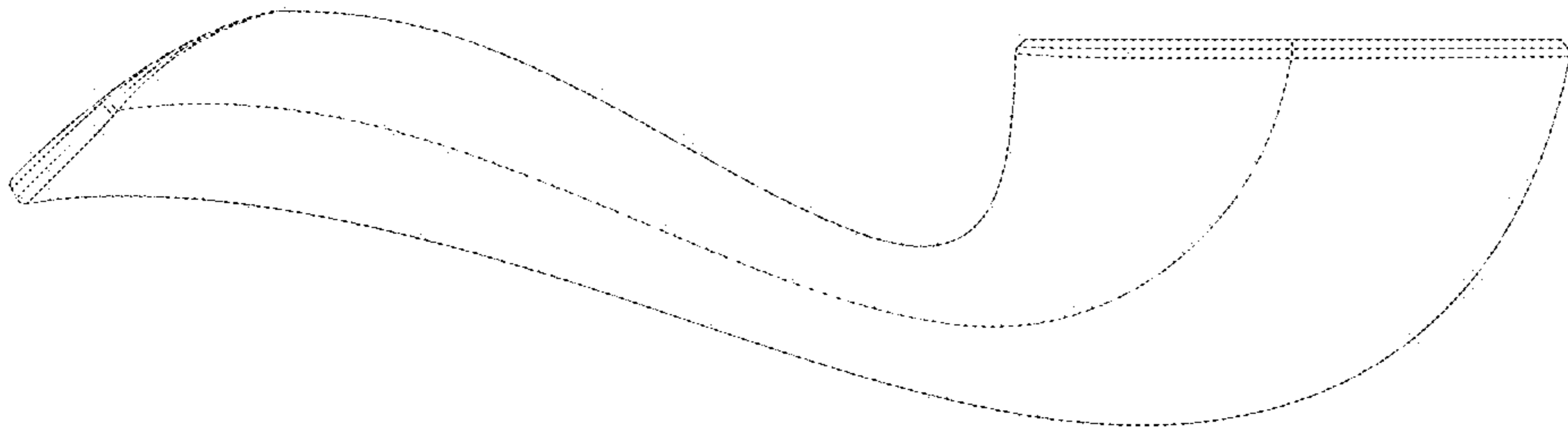


FIG - 5

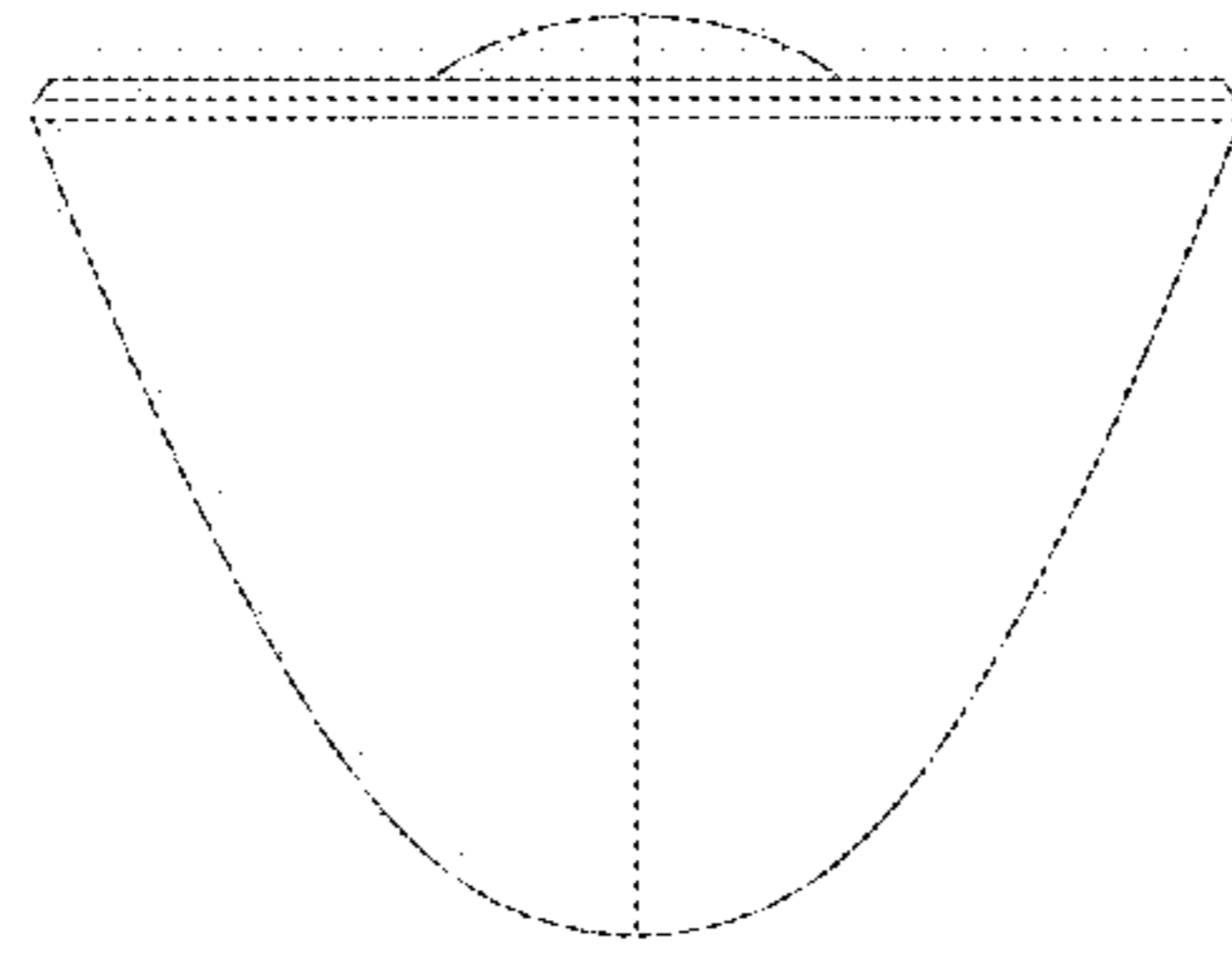


FIG - 8

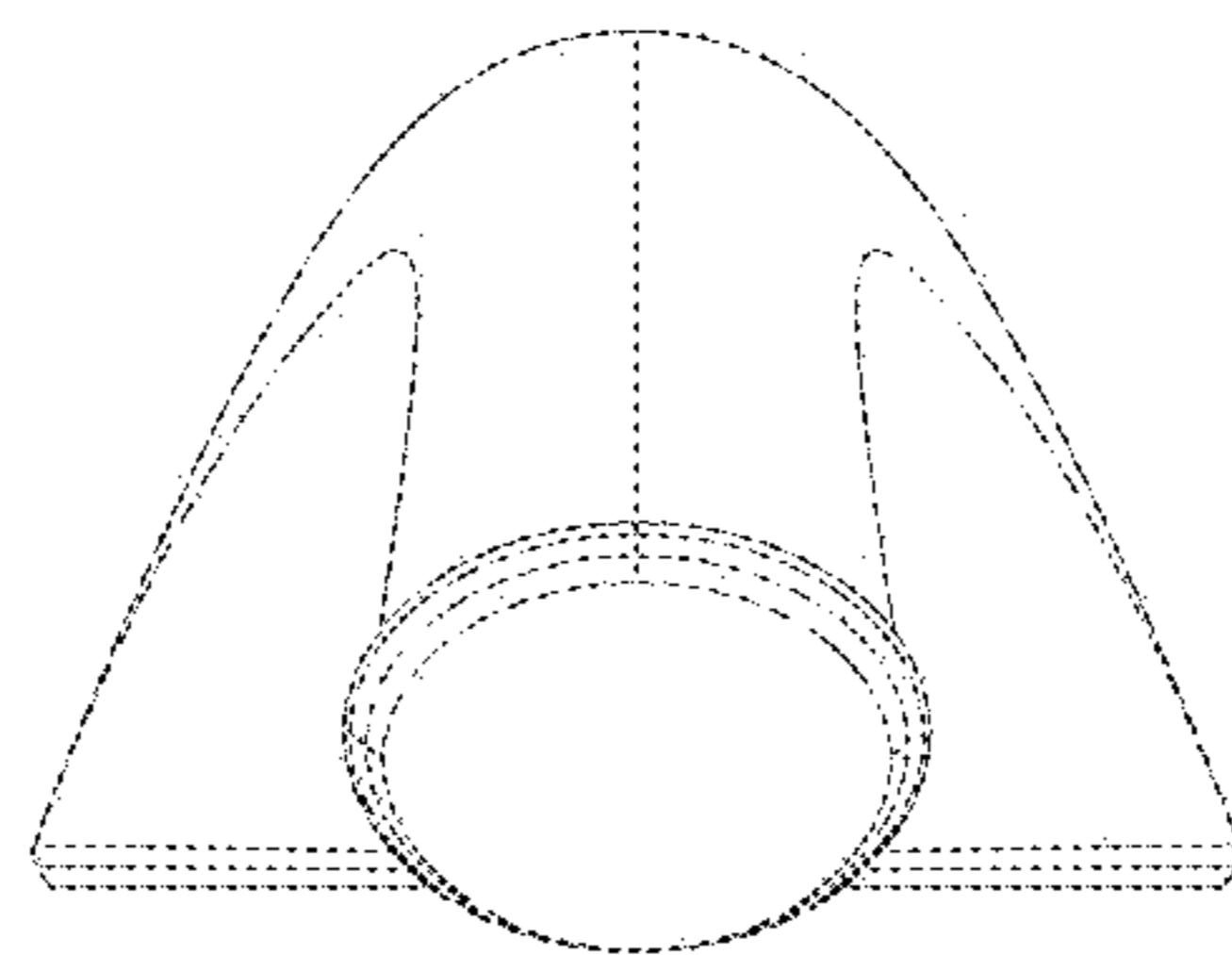


FIG - 7