



US00D959612S

(12) **United States Design Patent** (10) **Patent No.:** **US D959,612 S**
de Giulio et al. (45) **Date of Patent:** **** Aug. 2, 2022**

(54) **PLUMBING FIXTURE**

(71) Applicant: **Kohler Co.**, Kohler, WI (US)

(72) Inventors: **Michael R. de Giulio**, Kenilworth, IL (US); **Coralee S. Sandee**, Sheboygan, WI (US)

(73) Assignee: **KOHLER CO.**, Kohler, WI (US)

(**) Term: **15 Years**

(21) Appl. No.: **29/730,687**

(22) Filed: **Apr. 7, 2020**

(51) **LOC (13) Cl.** **23-01**

(52) **U.S. Cl.**
USPC **D23/250**

(58) **Field of Classification Search**
USPC D23/257, 259, 234–241, 242–255
CPC Y10T 137/9464; E03C 1/00; E03C 1/02;
E03C 1/04; E03C 1/0412; E03C 1/042;
E03C 1/044; D03C 1/0402; D03C 1/0405
See application file for complete search history.

(56) **References Cited**

U.S. PATENT DOCUMENTS

D243,608 S	*	3/1977	Mono	D23/238
D322,658 S		12/1991	Kohler et al.		
D326,506 S		5/1992	Kohler, Jr.		
D349,948 S		8/1994	Bollenbacher et al.		
D420,726 S		2/2000	Slothower et al.		

(Continued)

FOREIGN PATENT DOCUMENTS

CN	202130476064.X	*	7/2021
JP	D2009-30444	*	12/2009

(Continued)

OTHER PUBLICATIONS

Amazon, PHASAT Black Kitchen Sink Tap, posted Apr. 22, 2019, [online], [visited Oct. 27, 2021]. Internet, <URL: https://www.amazon.co.uk/dp/B07QWR841X/ref> (Year: 2019).*

(Continued)

Primary Examiner — Samantha Wood

(74) *Attorney, Agent, or Firm* — Foley & Lardner LLP

(57) **CLAIM**

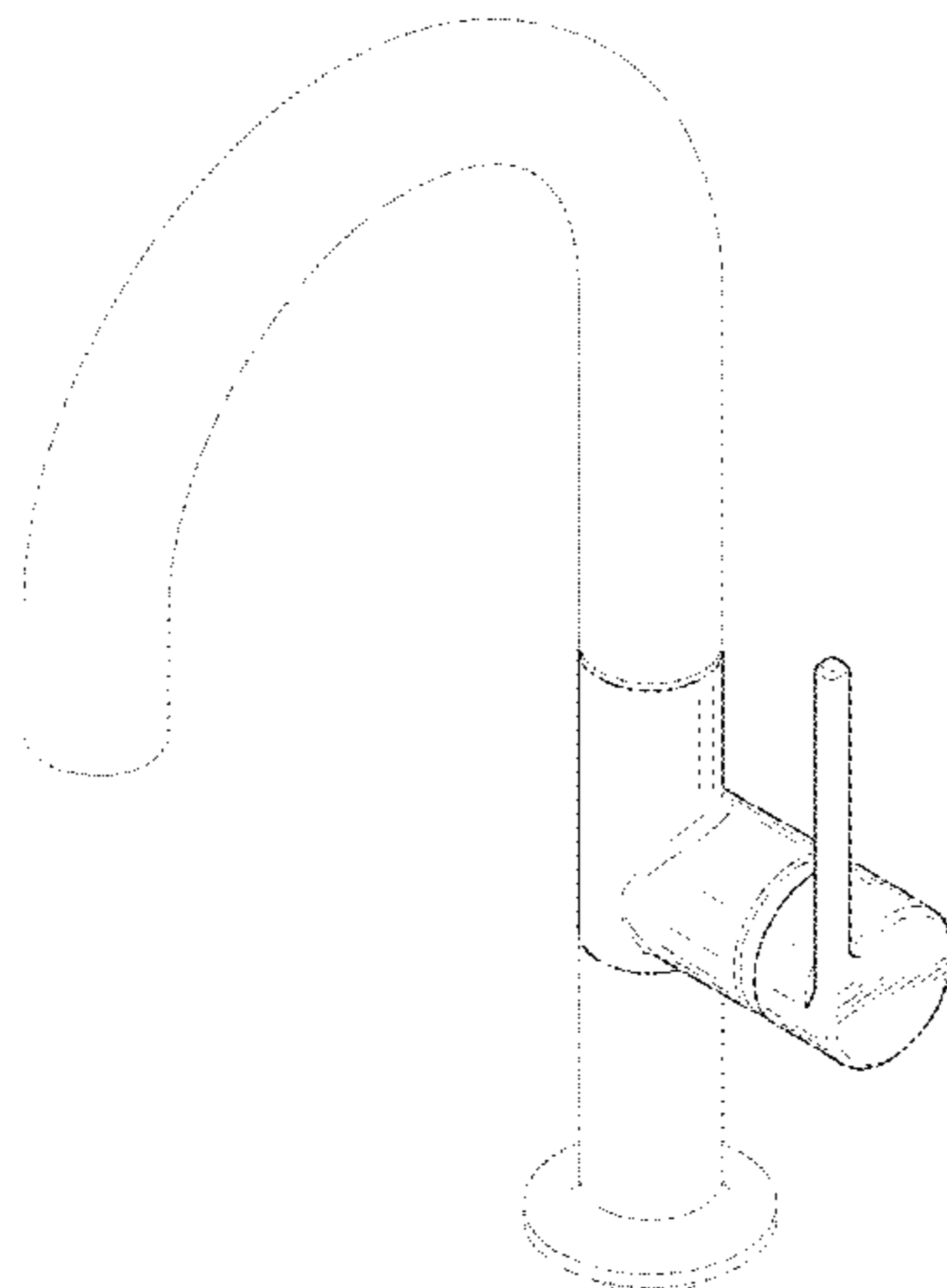
We claim the ornamental design for a plumbing fixture, as shown and described.

DESCRIPTION

FIG. 1 a perspective view of the claimed design;
FIG. 2 is a front view of the claimed design shown in FIG. 1;
FIG. 3 is a rear view of the claimed design shown in FIG. 1;
FIG. 4 is a side view of the claimed design shown in FIG. 1;
FIG. 5 is another side view of the claimed design shown in FIG. 1;
FIG. 6 is a top view of the claimed design shown in FIG. 1;
and,
FIG. 7 is a bottom view of the claimed design shown in FIG. 1.

The ornamental design that is claimed is shown in the drawings as solid lines and surfaces having surface shading. The broken lines are included for the purpose of illustrating portions of the article and form no part of the claimed design. For example, broken lines formed by equal length dashes show unclaimed portions of the design. Broken lines formed of unequal length dashes (i.e., dash-dot) show boundaries between either claimed and unclaimed portions of the design or between unclaimed and unclaimed portions of the design. Break lines having a jagged element are not part of the claimed design and show unspecified lengths of the portion are possible. The appearance of any portion of the article between the break lines forms no part of the claimed design.

1 Claim, 7 Drawing Sheets



(56)

References Cited

U.S. PATENT DOCUMENTS

D461,540 S * 8/2002 Gottwald D23/243
 D468,410 S 1/2003 Hundley
 D469,157 S * 1/2003 Lobermeier D23/238
 D520,114 S * 5/2006 Starck D23/238
 D531,267 S 10/2006 Hundley
 D531,702 S * 11/2006 Haug D23/252
 D548,563 S * 8/2007 Hoernig D8/308
 D568,447 S * 5/2008 Lai D23/252
 D576,705 S 9/2008 McKeone
 D579,086 S * 10/2008 Schonherr D23/252
 D587,343 S * 2/2009 Nobili D23/213
 D589,121 S 3/2009 McKeone
 D597,175 S * 7/2009 Kulig D23/238
 D602,570 S * 10/2009 Lammel D23/242
 D605,260 S * 12/2009 Allard D23/255
 D606,173 S * 12/2009 Sieger D23/255
 D632,363 S 2/2011 McKeone
 D635,220 S 3/2011 Rubin et al.
 D641,454 S 7/2011 McKeone
 D646,359 S * 10/2011 Sieger D23/238
 D684,666 S * 6/2013 Lord D23/238
 D686,706 S * 7/2013 Eilmus D23/255
 D702,322 S * 4/2014 Sieger D23/238
 D704,805 S * 5/2014 Hahn D23/252
 D735,298 S * 7/2015 Eads D23/238
 D762,285 S * 7/2016 Jepson D23/238
 D770,597 S * 11/2016 Eads D23/252
 D800,270 S * 10/2017 Andrew D23/252

D804,615 S * 12/2017 Seum D23/238
 D823,989 S 7/2018 Soulier et al.
 D846,077 S * 4/2019 Liu D23/238
 D857,854 S * 8/2019 Garland D23/252
 D879,914 S * 3/2020 Lazarini D23/238
 D884,123 S * 5/2020 Eads D23/238
 D885,524 S * 5/2020 Seum D23/241
 D901,638 S * 11/2020 Soulier D23/252
 D902,358 S * 11/2020 Garland D23/255
 D905,201 S * 12/2020 Liu D23/238
 D916,243 S * 4/2021 Garland D23/252

FOREIGN PATENT DOCUMENTS

JP D2010-6434 * 3/2010
 JP D2019-3056 * 2/2019
 TW 107301550 * 3/2018

OTHER PUBLICATIONS

Amazon, Amazing Force Single Hole Bathroom faucet, posted Sep. 9, 2019, [online], [visited Oct. 27, 2021]. Internet, <URL: <https://www.amazon.com/AMAZING-FORCE-Bathroom-Stainless-Brushed/dp/B07XJS8RWK/ref>> (Year: 2019).*

Amazon, 304 Stainless steel kitchen tap, posted Nov. 25, 2019, [online], [visited Oct. 28, 2021]. Internet, <URL: <https://www.amazon.co.uk/Stainless-Kitchen-Bar-Pre-Bathroom-Brushed/dp/B081YPHY7T/ref>> (Year: 2019).*

* cited by examiner

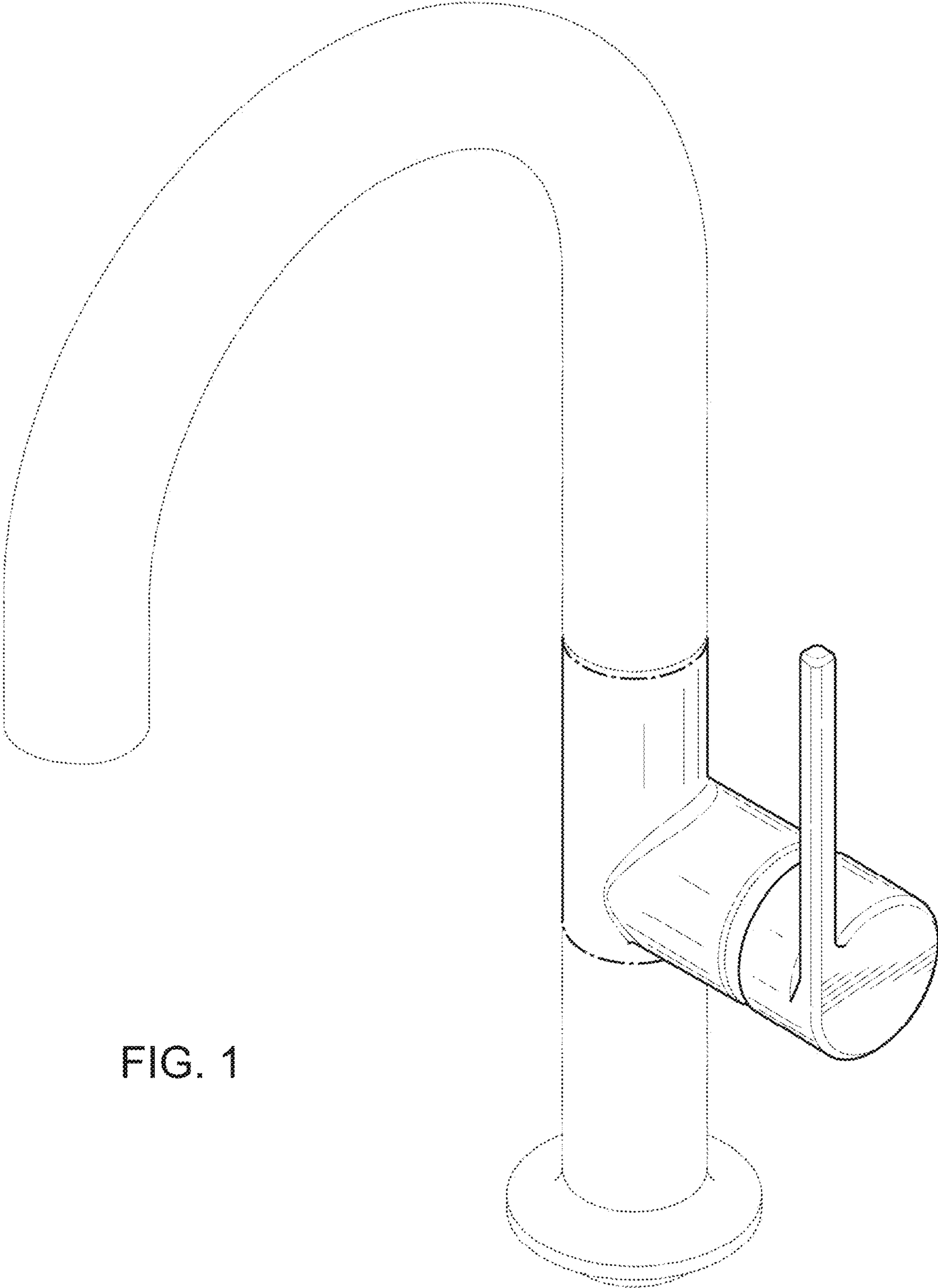


FIG. 1

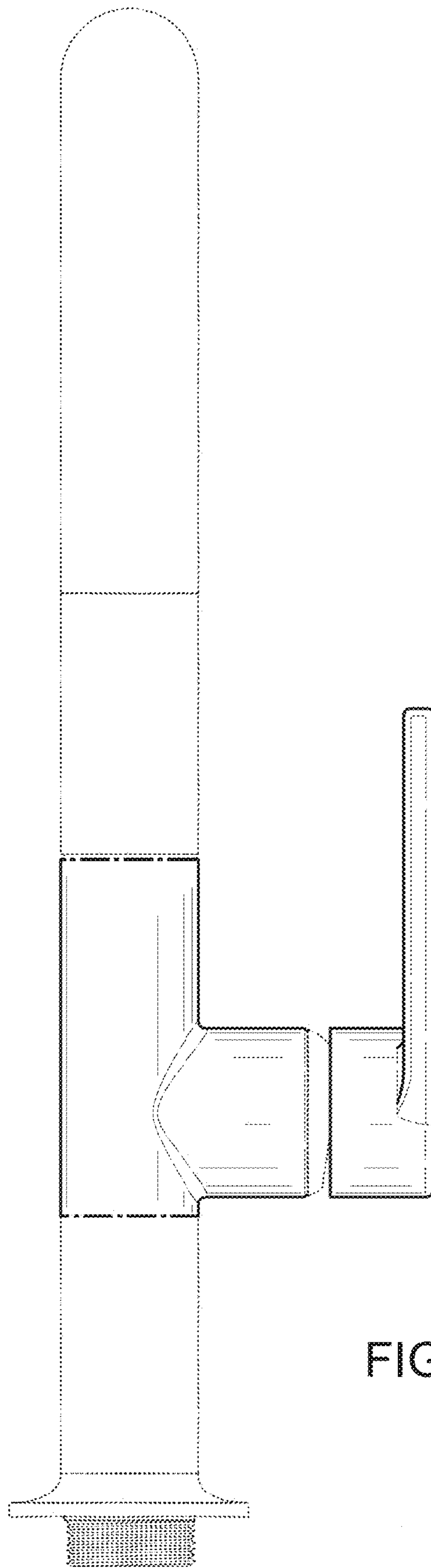


FIG. 2

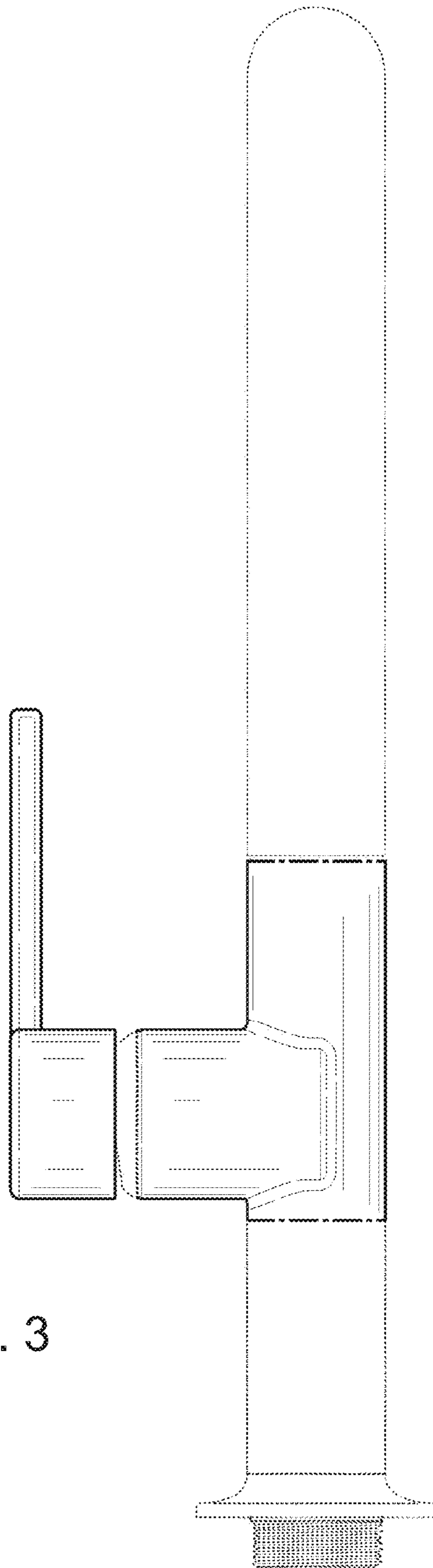


FIG. 3

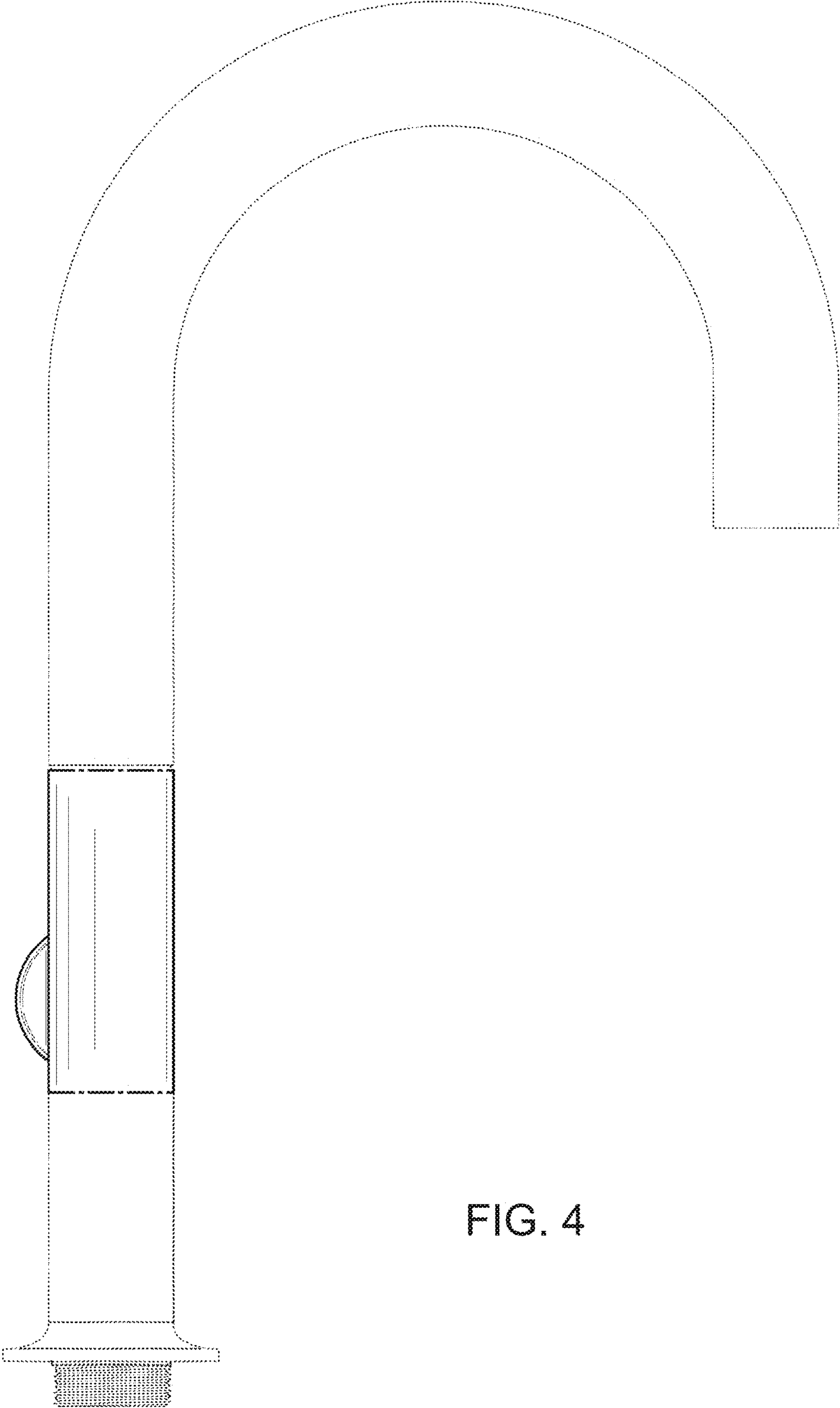


FIG. 4

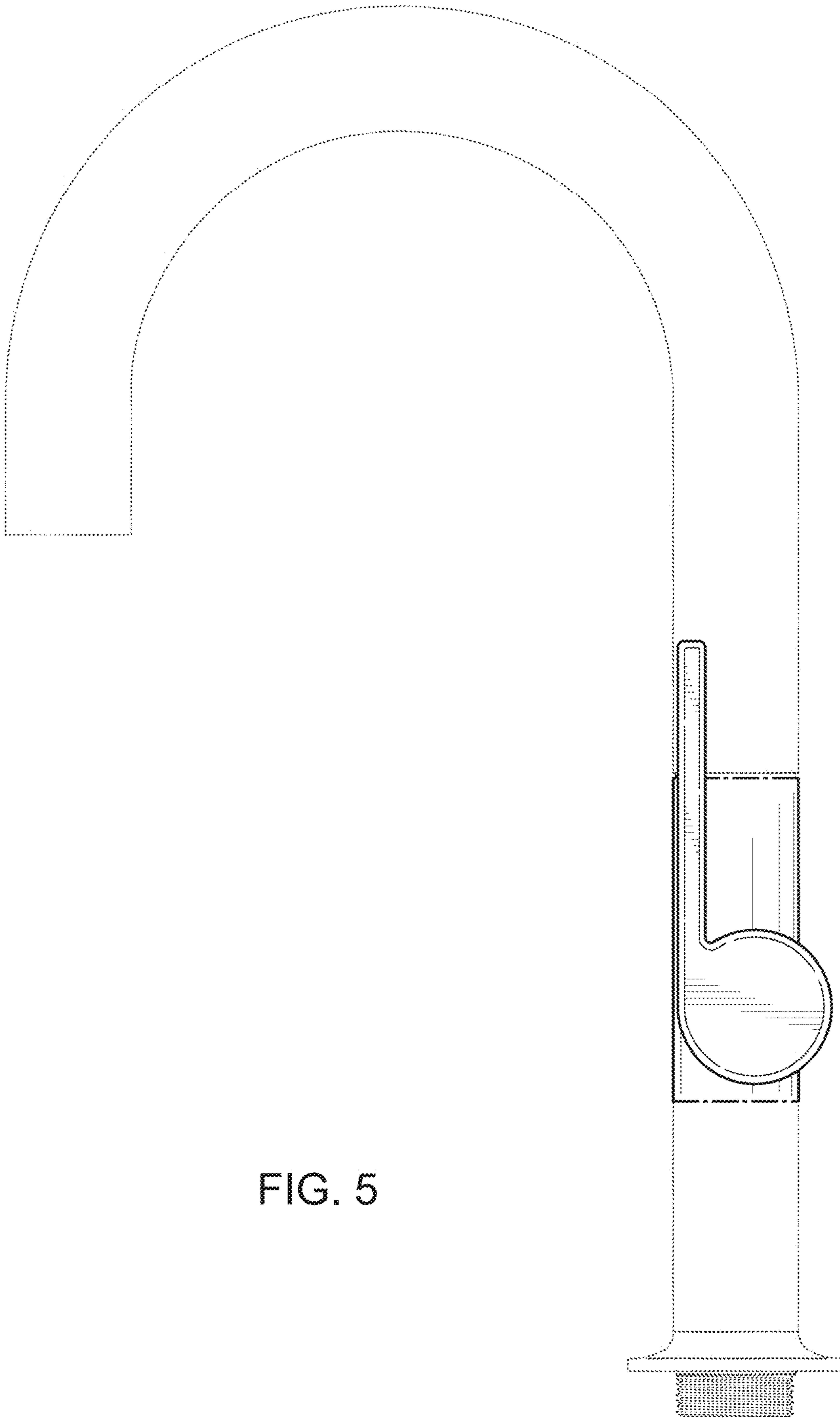


FIG. 5



FIG. 6

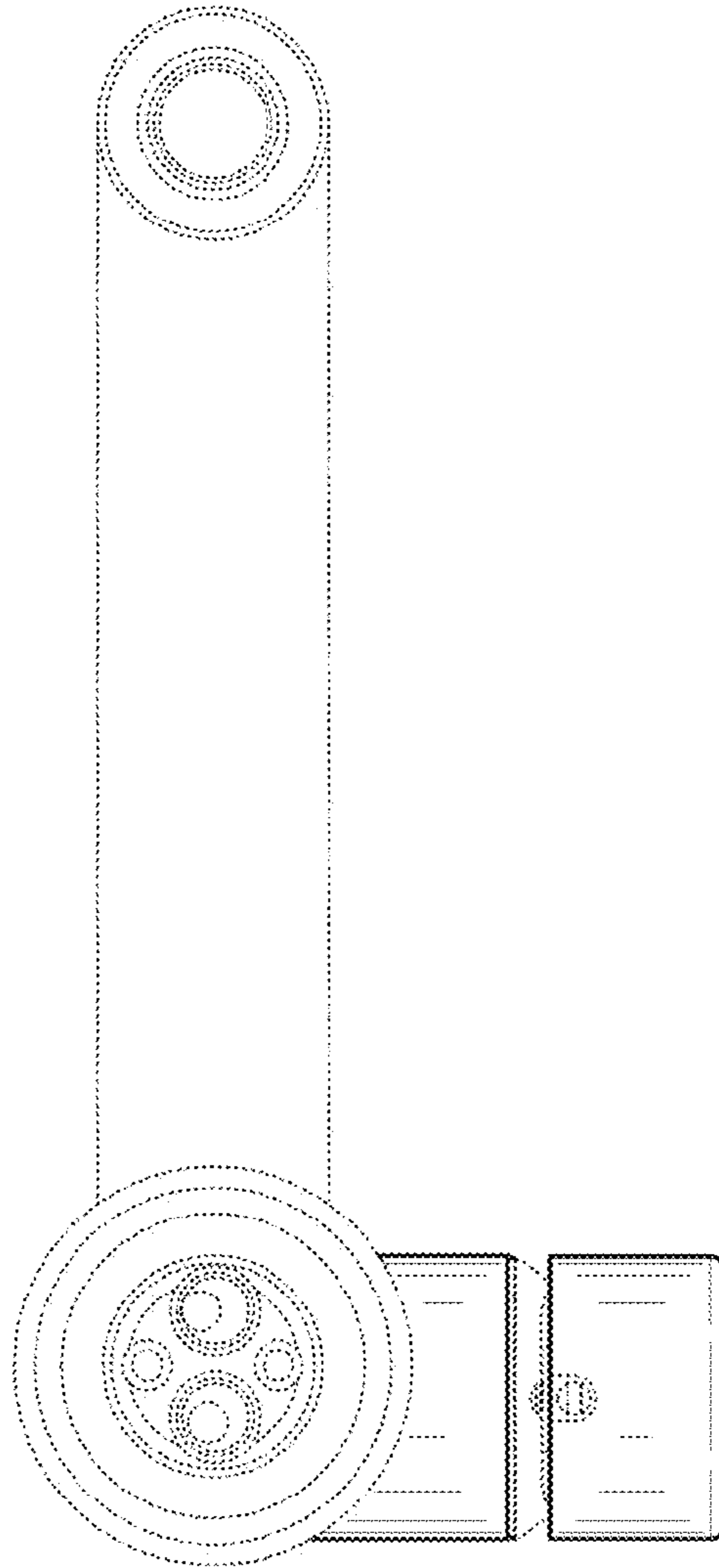


FIG. 7