



US00D959610S

(12) **United States Design Patent** (10) **Patent No.:** **US D959,610 S**
Williams (45) **Date of Patent:** **** Aug. 2, 2022**

(54) **FAUCET**
(71) Applicant: **AS America, Inc.**, Piscataway, NJ (US)
(72) Inventor: **Emilie Williams**, New York, NY (US)
(73) Assignee: **AS America, Inc.**, Piscataway, NJ (US)
(**) Term: **15 Years**
(21) Appl. No.: **29/768,455**

D686,299 S * 7/2013 Flowers D23/238
D687,126 S * 7/2013 Romero D23/238
D713,507 S * 9/2014 Potter D23/238
D713,942 S * 9/2014 Potter D23/255
(Continued)

FOREIGN PATENT DOCUMENTS

CN 20153031007 * 9/2015
CN 201630275260 * 6/2016
(Continued)

(22) Filed: **Jan. 29, 2021**
(51) **LOC (13) Cl.** **23-01**
(52) **U.S. Cl.**
USPC **D23/238**
(58) **Field of Classification Search**
USPC D23/238, 239, 240, 241, 242, 243, 246,
D23/247, 248, 249, 250, 251, 252, 254,
D23/255, 256, 257
CPC . E03C 1/01; E03C 1/0409; E03C 1/04; E03C
1/0401; E03C 1/0402; E03C 1/0405;
E03C 1/0408; E03C 1/0412; E03C 1/025;
Y10T 137/5339; Y10T 137/6014; Y10T
137/6021
See application file for complete search history.

OTHER PUBLICATIONS

Home Depot, American Standard Rumson Single Hole Single-Handle Bathroom Faucet, no post date, [online], [visited Mar. 10, 2022]. Internet, <URL: <https://www.homedepot.com/p/American-Standard-Rumson-Single-Hole-Single-Handle-Bathroom-Faucet-in-Brushed-Nickel-7417101-295/312589854>> (Year: 2022).*

Primary Examiner — Samantha Wood
(74) *Attorney, Agent, or Firm* — Tyler A. Stevenson;
Anna-lisa L. Gallo

(57) **CLAIM**

I claim the ornamental design for a faucet, as shown and described.

(56) **References Cited**

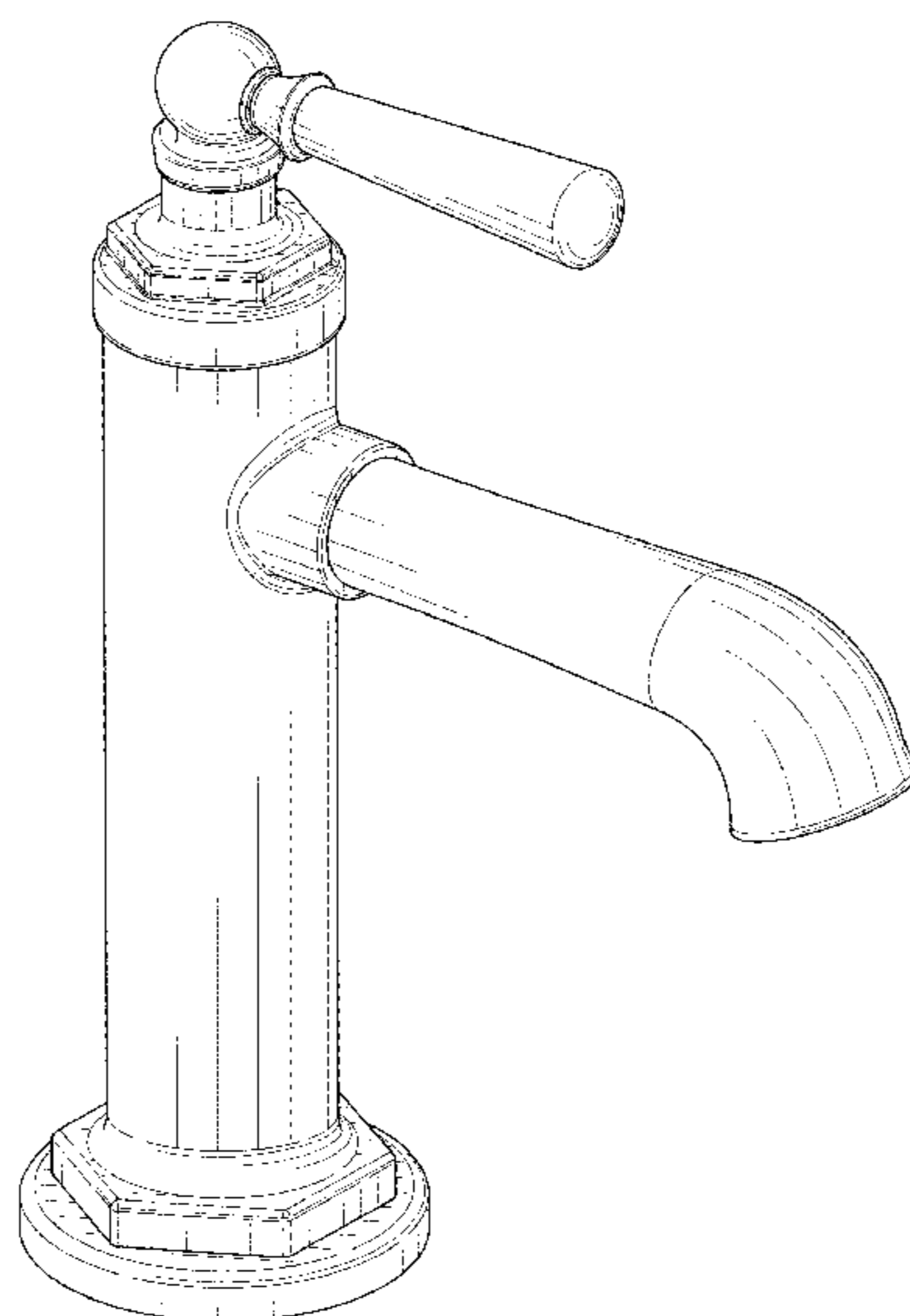
U.S. PATENT DOCUMENTS

D409,726 S * 5/1999 Formgren D23/238
D471,254 S * 3/2003 Bonnell D23/238
D506,530 S * 6/2005 Kennard D23/252
D522,624 S * 6/2006 Koury D23/252
D566,818 S * 4/2008 Kohler, Jr. D23/255
D569,953 S * 5/2008 Dolan D23/250
D577,421 S * 9/2008 Williams D23/238
D602,122 S * 10/2009 Corbett D23/238
D607,978 S * 1/2010 Williams D23/255
D618,764 S * 6/2010 Gao D23/238
D620,559 S * 7/2010 Romero D23/238
D636,461 S * 4/2011 Romero D23/238
D640,774 S * 6/2011 Ke D23/255
D648,832 S * 11/2011 Downey D23/252

DESCRIPTION

FIG. 1 is a top, left side, perspective view of a faucet showing my new design;
FIG. 2 is a front view thereof;
FIG. 3 is a rear view thereof;
FIG. 4 is a left side view thereof;
FIG. 5 is a right side view thereof;
FIG. 6 is a top view thereof;
FIG. 7 is a bottom view thereof; and,
FIG. 8 is a bottom, left side, perspective view thereof.
Broken lines of the disclosure represent portions of the faucet that form no part of the claimed design.

1 Claim, 6 Drawing Sheets



(56)

References Cited

U.S. PATENT DOCUMENTS

D719,644 S	*	12/2014	Sedwick	D23/255
D752,717 S	*	3/2016	Eads	D23/238
D797,243 S	*	9/2017	Zhang	D23/238
D823,987 S	*	7/2018	Downey	D23/238
D874,614 S	*	2/2020	Lazarini	D23/238
D913,452 S	*	3/2021	Zhu	D23/255
D925,004 S	*	7/2021	Zhen	D23/238
D928,918 S	*	8/2021	Lazarini	D23/238

FOREIGN PATENT DOCUMENTS

CN	201630399446	*	8/2016
WO	WO-D042272-007	*	12/1997

* cited by examiner

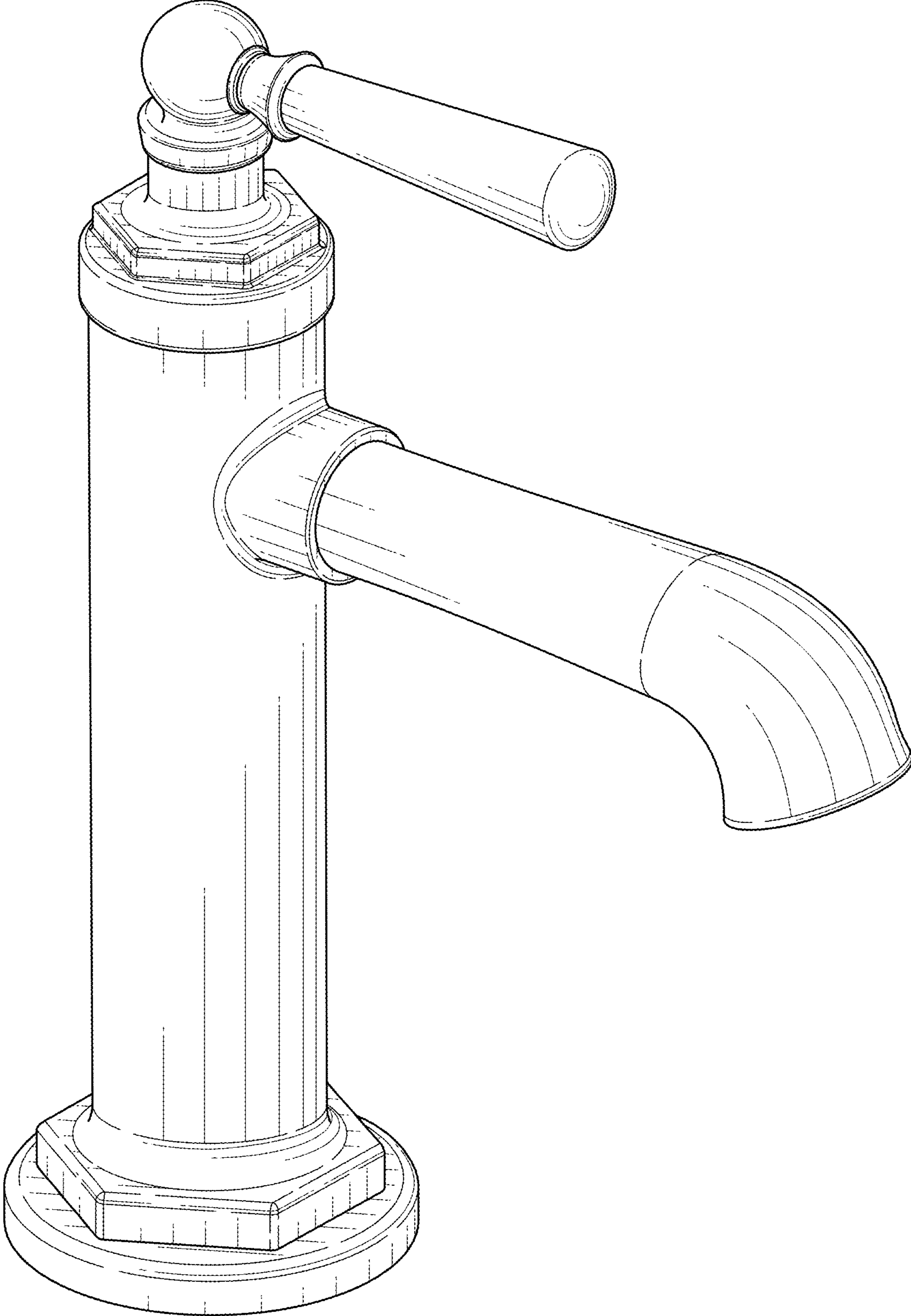


FIG. 1

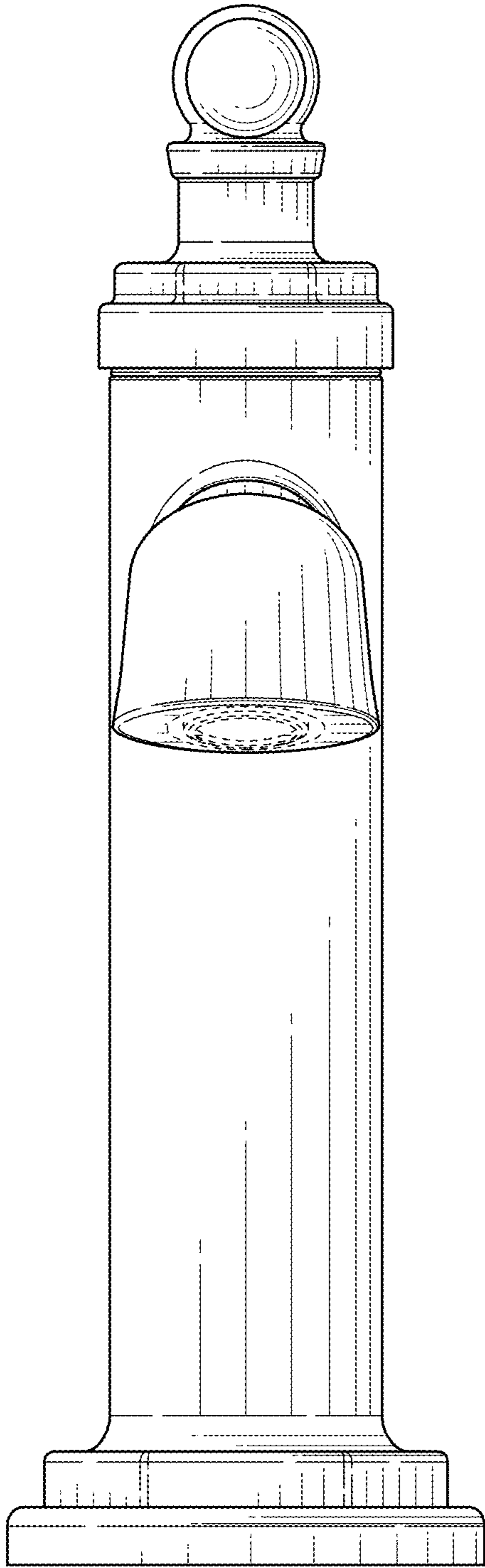


FIG. 2

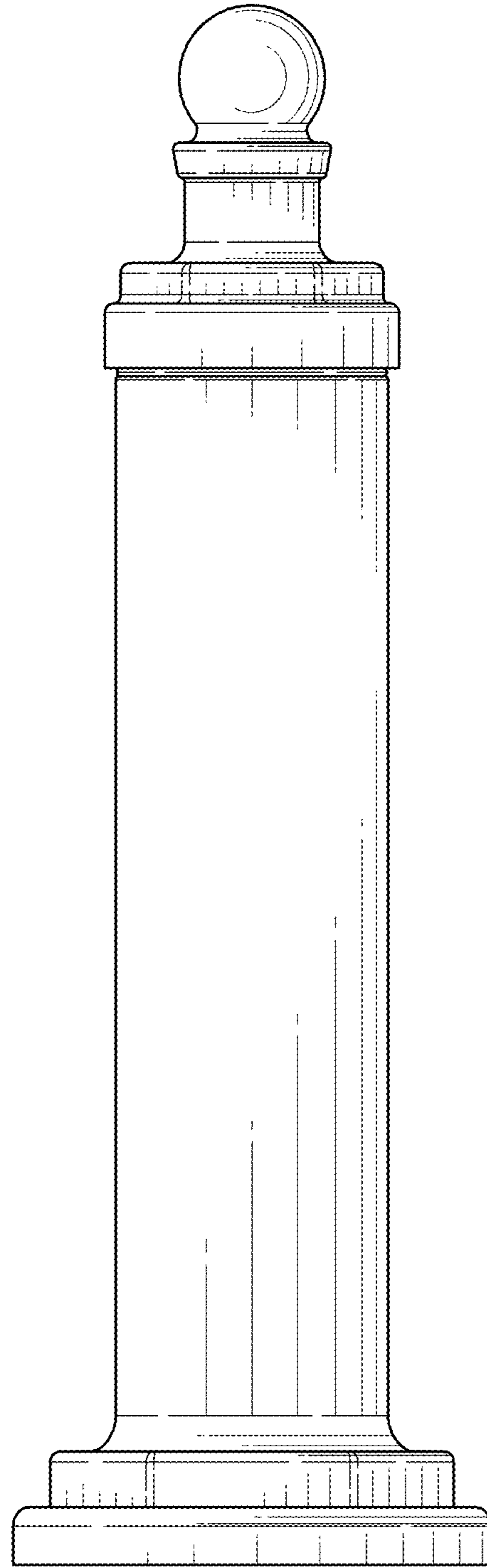


FIG. 3

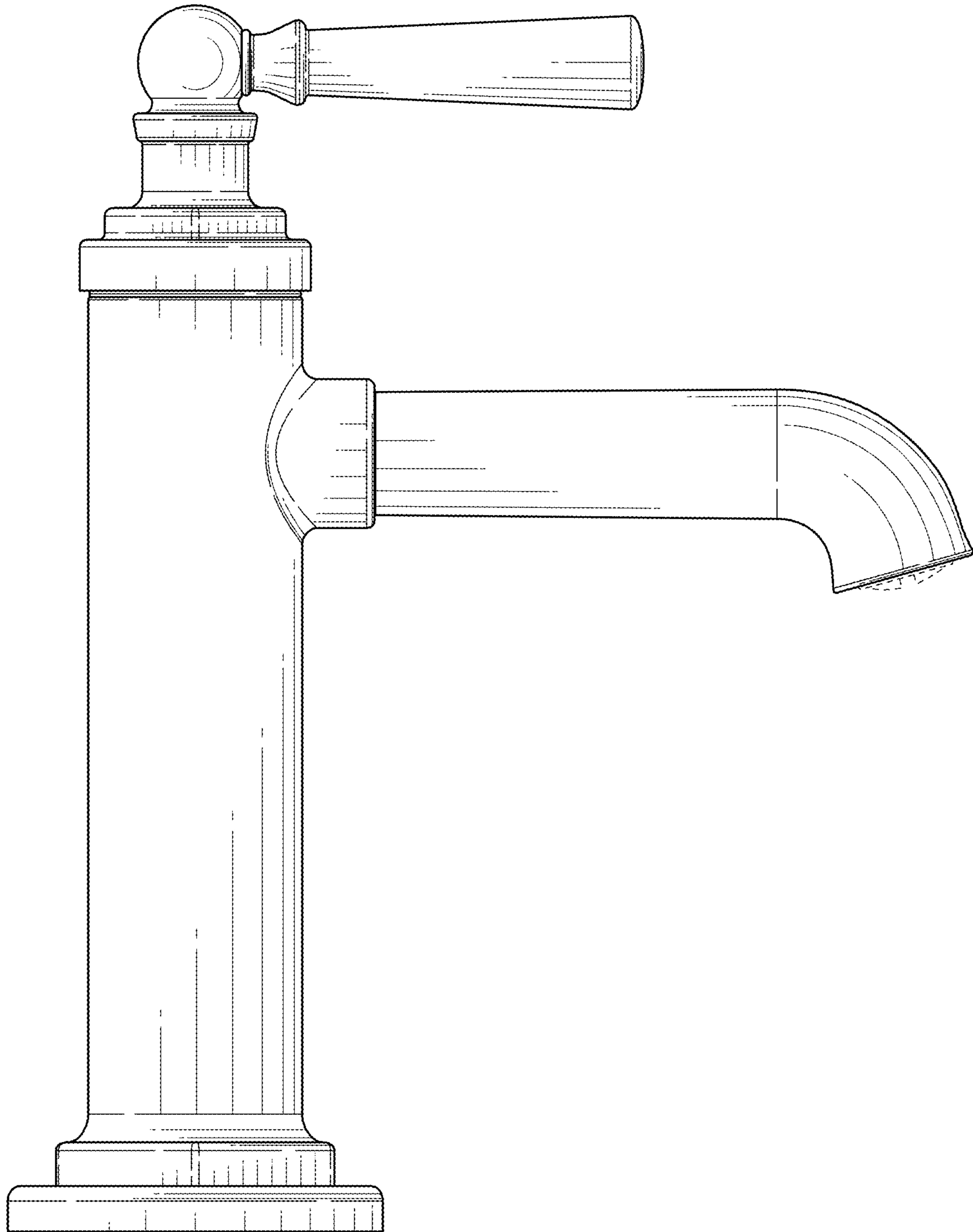


FIG. 4

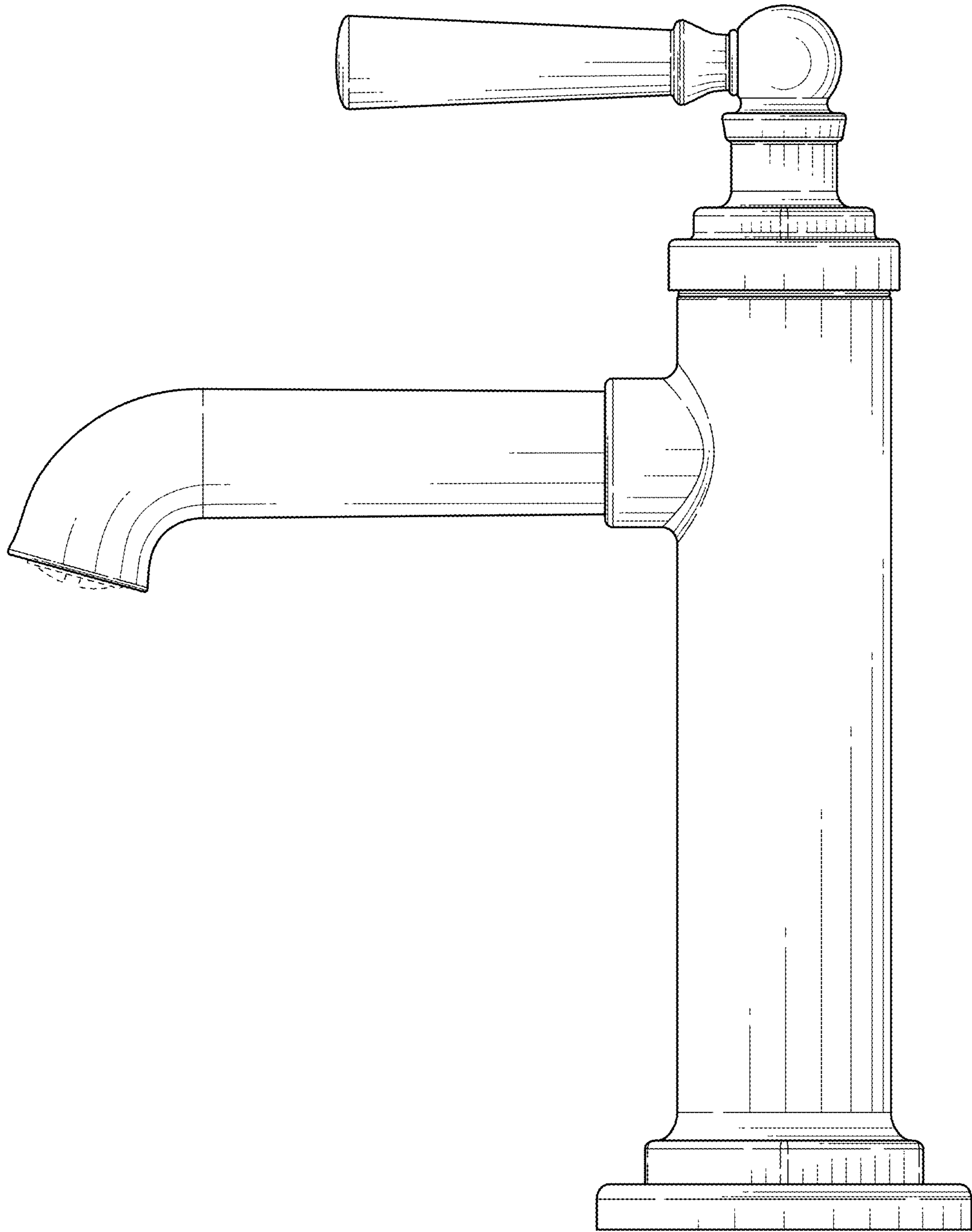


FIG. 5

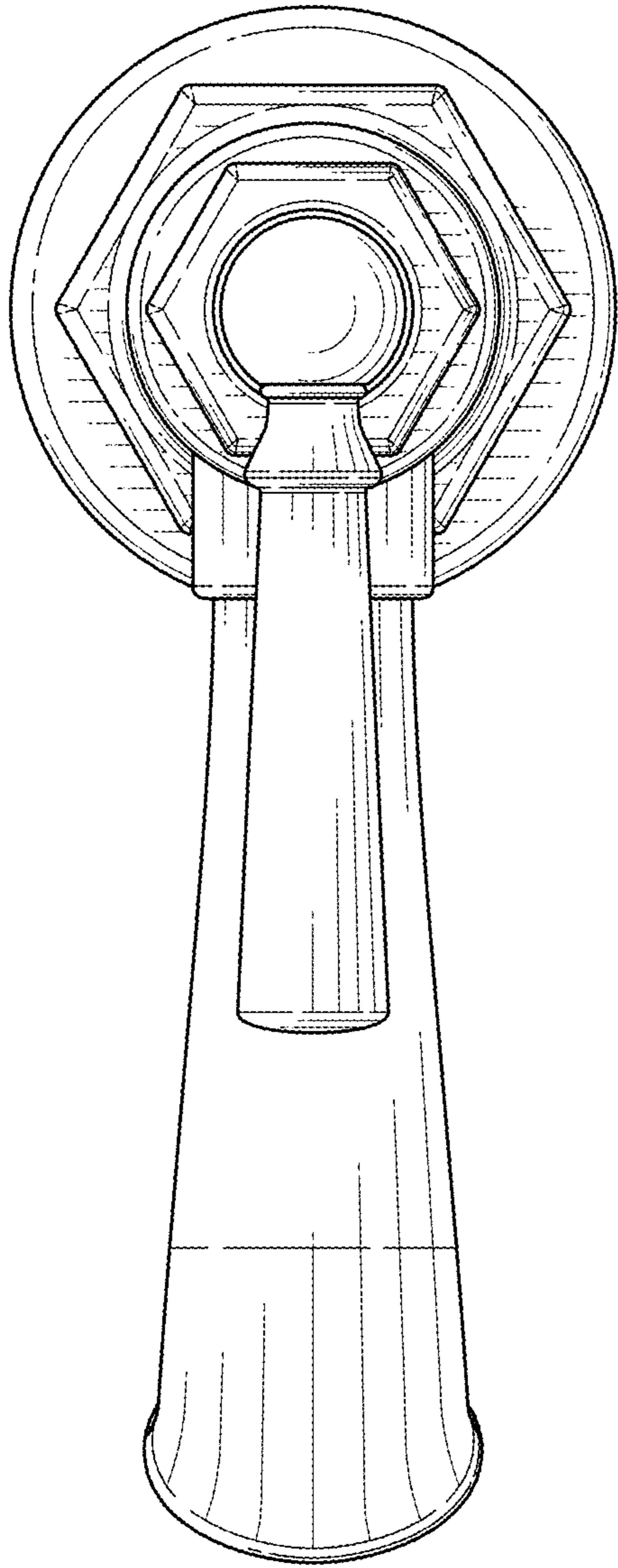


FIG. 6

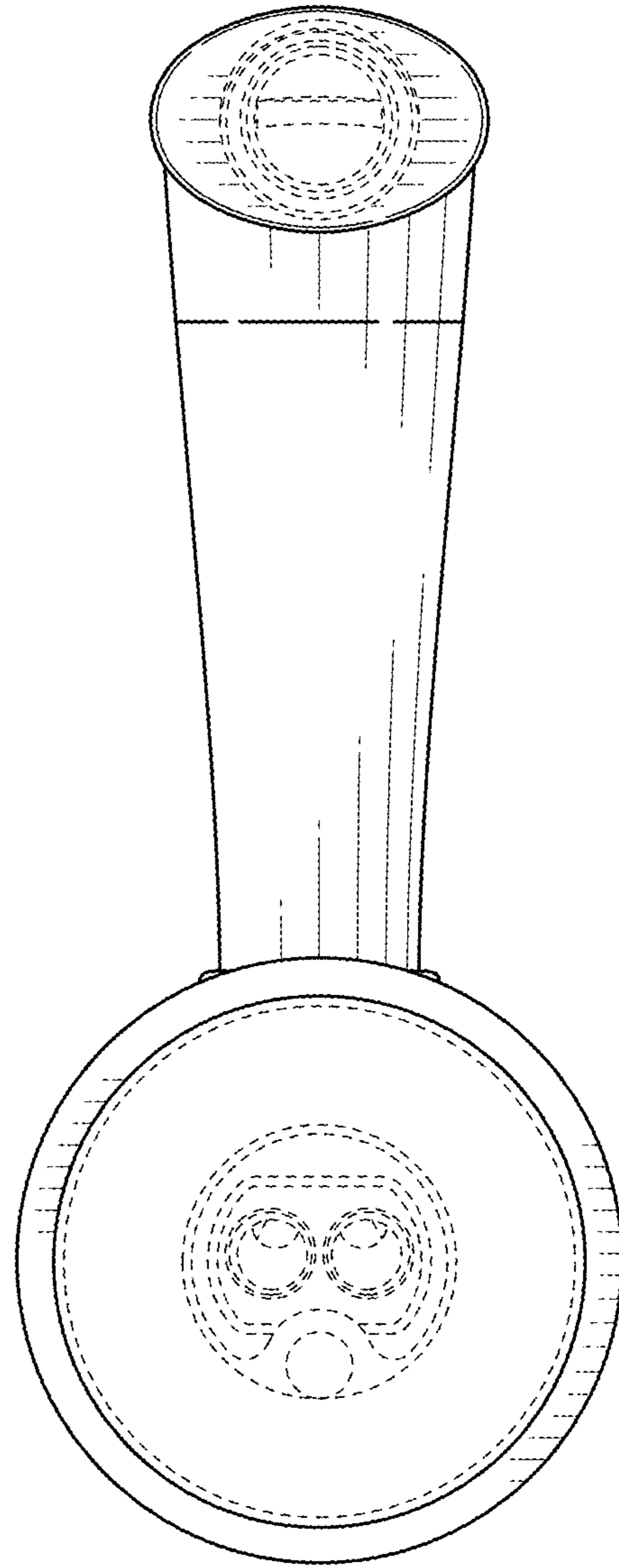


FIG. 7

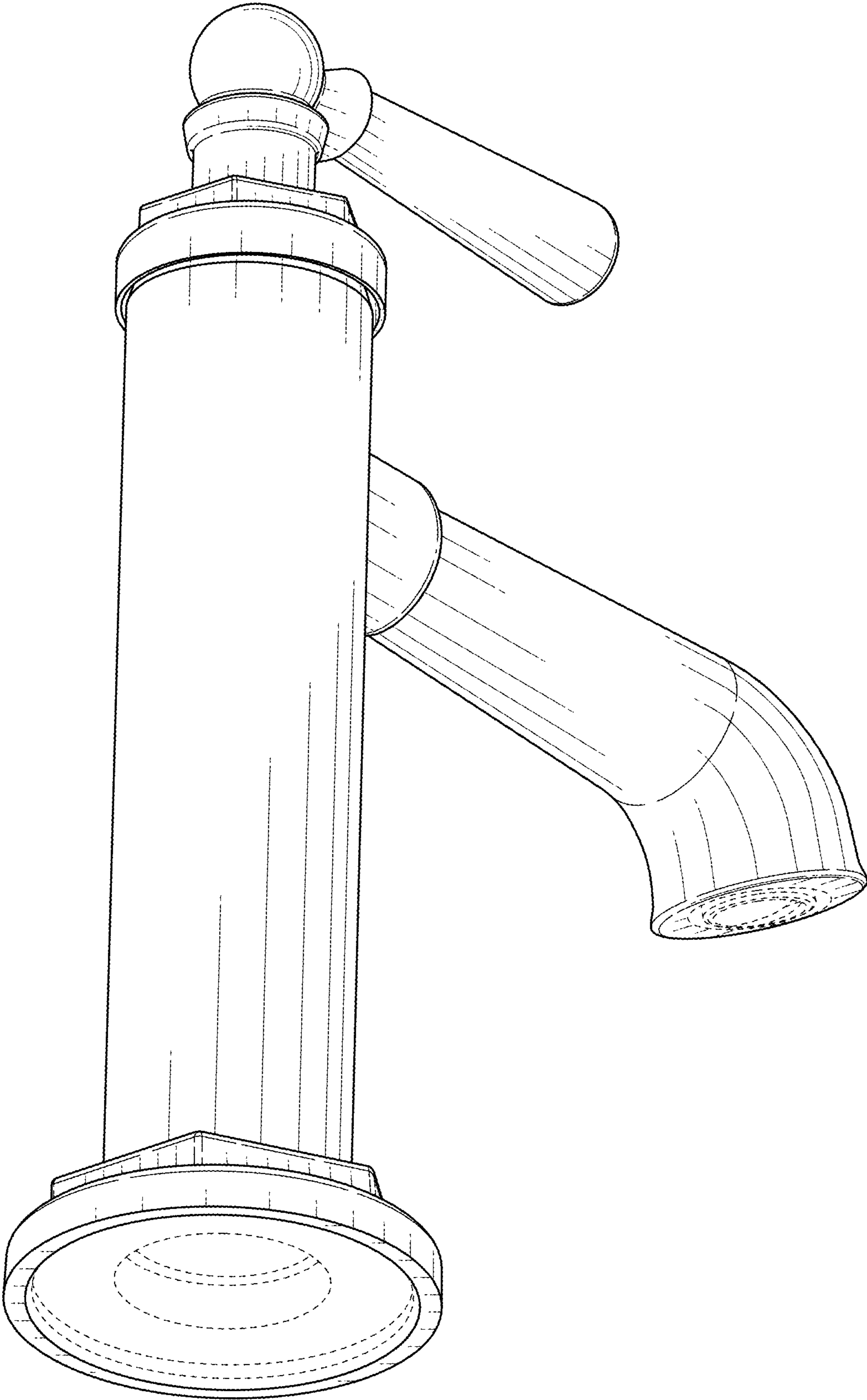


FIG. 8