



US00D959609S

(12) **United States Design Patent** (10) **Patent No.:** **US D959,609 S**
Zhang et al. (45) **Date of Patent:** **** Aug. 2, 2022**

(54) **FAUCET**

(71) Applicant: **AS America, Inc.**, Piscataway, NJ (US)

(72) Inventors: **Jian Zhang**, Guangzhou (CN); **Fen Liu**, Guangzhou (CN); **Emilie Williams**, New York, NY (US)

(73) Assignee: **AS America, Inc.**, Piscataway, NJ (US)

(**) Term: **15 Years**

(21) Appl. No.: **29/765,867**

(22) Filed: **Jan. 12, 2021**

(30) **Foreign Application Priority Data**

Jul. 15, 2020 (CN) 202030383043.9

(51) **LOC (13) Cl.** **23-01**

(52) **U.S. Cl.**
USPC **D23/238**

(58) **Field of Classification Search**
USPC D23/238, 239, 240, 241, 242, 243, 246,
D23/247, 248, 249, 250, 251, 252, 254,
D23/255, 256, 257

CPC . E03C 1/01; E03C 1/0409; E03C 1/04; E03C
1/0401; E03C 1/0402; E03C 1/0405;
E03C 1/0408; E03C 1/0412; E03C 1/025;
Y10T 137/5339; Y10T 137/6014; Y10T
137/6021

See application file for complete search history.

(56) **References Cited**

U.S. PATENT DOCUMENTS

D409,726 S * 5/1999 Formgren D23/238
D471,254 S * 3/2003 Bonnell D23/238
D506,530 S * 6/2005 Kennard D23/252
D522,624 S * 6/2006 Koury D23/252
D566,818 S * 4/2008 Kohler, Jr. D23/255
D569,953 S * 5/2008 Dolan D23/250
D577,421 S * 9/2008 Williams D23/238

D602,122 S * 10/2009 Corbett D23/238
D607,978 S * 1/2010 Williams D23/255
D618,764 S * 6/2010 Gao D23/238
D620,559 S * 7/2010 Romero D23/238
D636,461 S * 4/2011 Romero D23/238

(Continued)

FOREIGN PATENT DOCUMENTS

CN 201530047258 * 2/2015
CN 202130476055.0 * 7/2021

OTHER PUBLICATIONS

Amazon, RODDEX Bathroom Sink Faucet, posted Nov. 4, 2020, [online], [visited Mar. 10, 2022]. Internet, <URL: <https://www.amazon.com/RODDEX-Bathroom-Faucet-Assembly-Polished/dp/B08P32MSFL/ref>> (Year: 2020).*

(Continued)

Primary Examiner — Samantha Wood

(74) *Attorney, Agent, or Firm* — Tyler A. Stevenson;
Anna-lisa L. Gallo

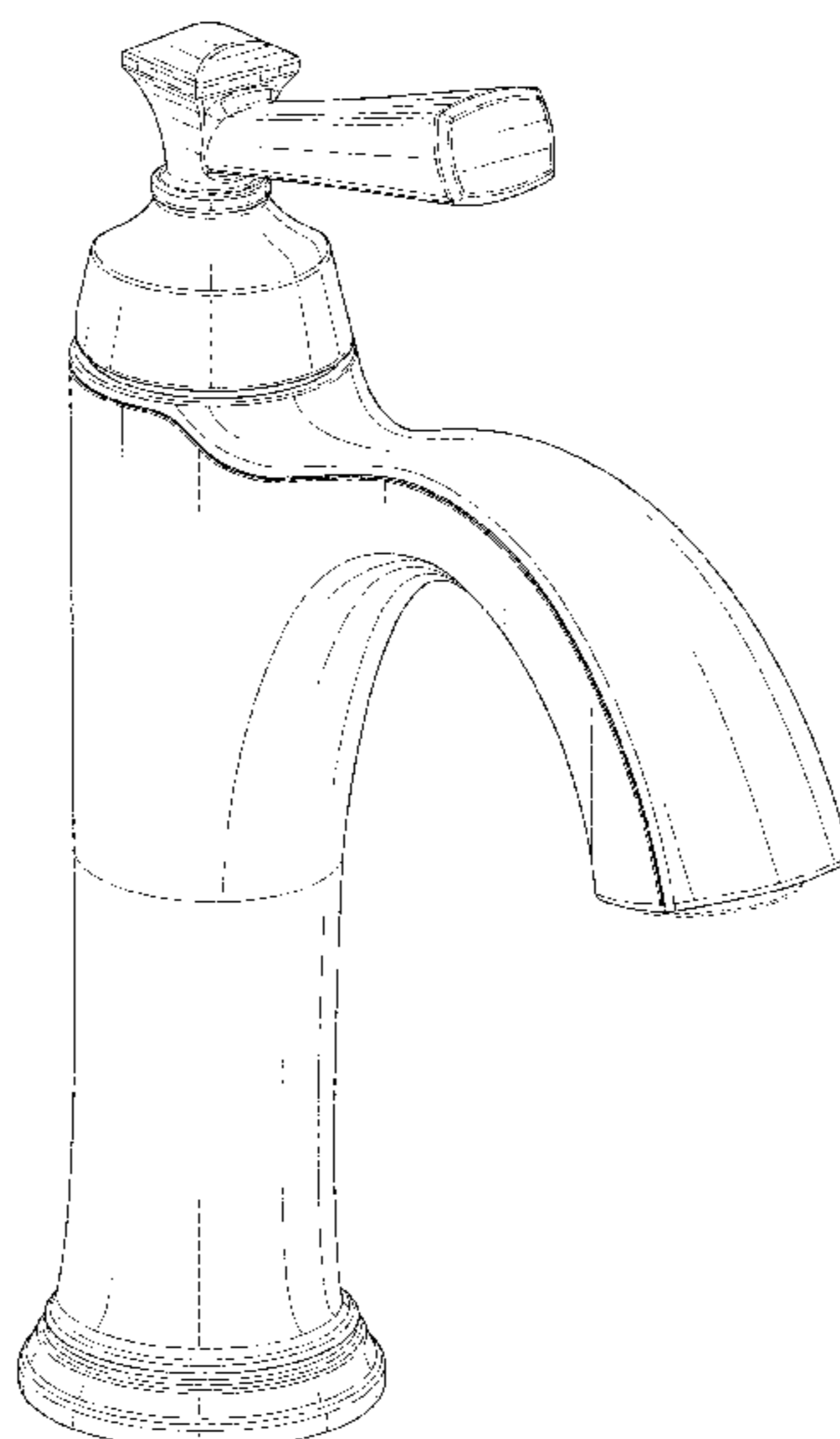
(57) **CLAIM**

We claim the ornamental design for a faucet, as shown and described.

DESCRIPTION

FIG. 1 is a front, top, left side perspective view of a faucet showing our new design;
FIG. 2 is a front view thereof;
FIG. 3 is a rear view thereof;
FIG. 4 is a left side view thereof;
FIG. 5 is a right side view thereof;
FIG. 6 is a top view thereof;
FIG. 7 is a bottom view thereof; and,
FIG. 8 is a front, bottom, left side perspective view thereof. Broken lines of the disclosure represent portions of the faucet that form no part of the claimed design.

1 Claim, 6 Drawing Sheets



(56)

References Cited

U.S. PATENT DOCUMENTS

D640,774 S	*	6/2011	Ke	D23/255
D648,832 S	*	11/2011	Downey	D23/252
D686,299 S	*	7/2013	Flowers	D23/238
D687,126 S	*	7/2013	Romero	D23/238
D713,507 S	*	9/2014	Potter	D23/238
D713,942 S	*	9/2014	Potter	D23/255
D719,644 S	*	12/2014	Sedwick	D23/255
D752,717 S	*	3/2016	Eads	D23/238
D797,243 S	*	9/2017	Zhang	D23/238
D823,987 S	*	7/2018	Downey	D23/238
D874,614 S	*	2/2020	Lazarini	D23/238
D913,452 S	*	3/2021	Zhu	D23/255
D925,004 S	*	7/2021	Zhen	D23/238
D928,918 S	*	8/2021	Lazarini	D23/238

OTHER PUBLICATIONS

Amazon, Moen Halle 84970SRN Bathroom Faucet, posted Jun. 23, 2019, [online], [visited Mar. 10, 2022]. Internet, <URL: <https://www.amazon.com/dp/B07TBXBR4Y/ref>> (Year: 2019).*

Amazon, BATHLAVISH Bathroom Sink Faucet, posted Feb. 25, 2021, [online], [visited Mar. 10, 2022]. Internet, <URL: <https://www.amazon.com/BATHLAVISH-Bathroom-Overflow-Commercial-Lead-Free/dp/B08X6SQQHR/ref?th=1>> (Year: 2021).*

Amazon, Pfister LG42WR0K Weller Single Control Bath Faucet, posted Feb. 15, 2017, [online], [visited Mar. 10, 2022]. Internet, <URL: <https://www.amazon.com/Pfister-LG42WR0K-Weller-Control-Brushed/dp/B06VW3HJFX/ref?th=1>> (Year: 2017).*

Amazon, American Standard 7415.101.002 Portsmouth Faucet, posted Jul. 20, 2010, [online], [visited Mar. 10, 2022]. Internet, <URL: <https://www.amazon.com/American-Standard-7415-101-002-Portsmouth-Monoblock/dp/B003WJKDNK>> (Year: 2010).*

* cited by examiner

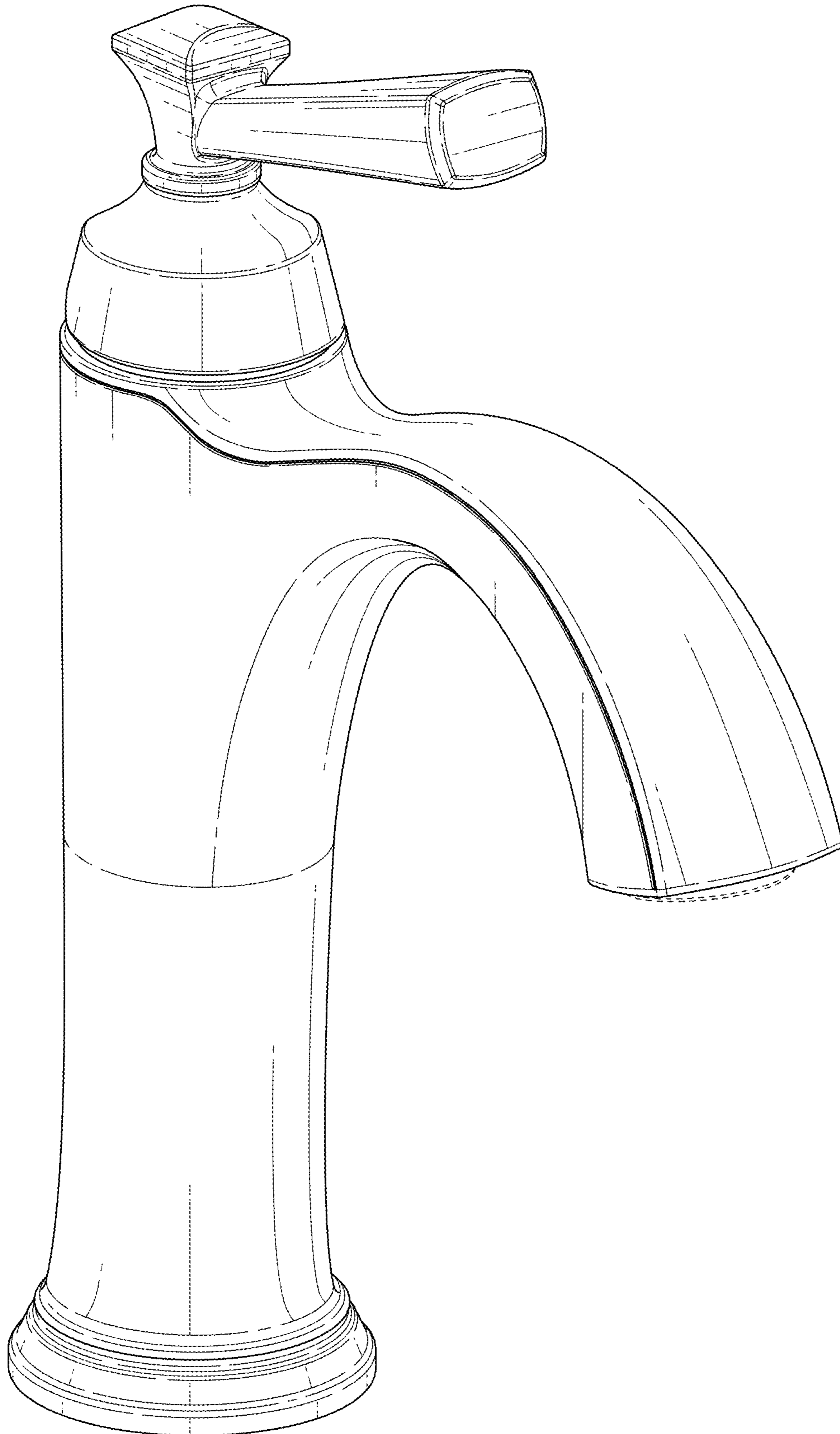


FIG. 1

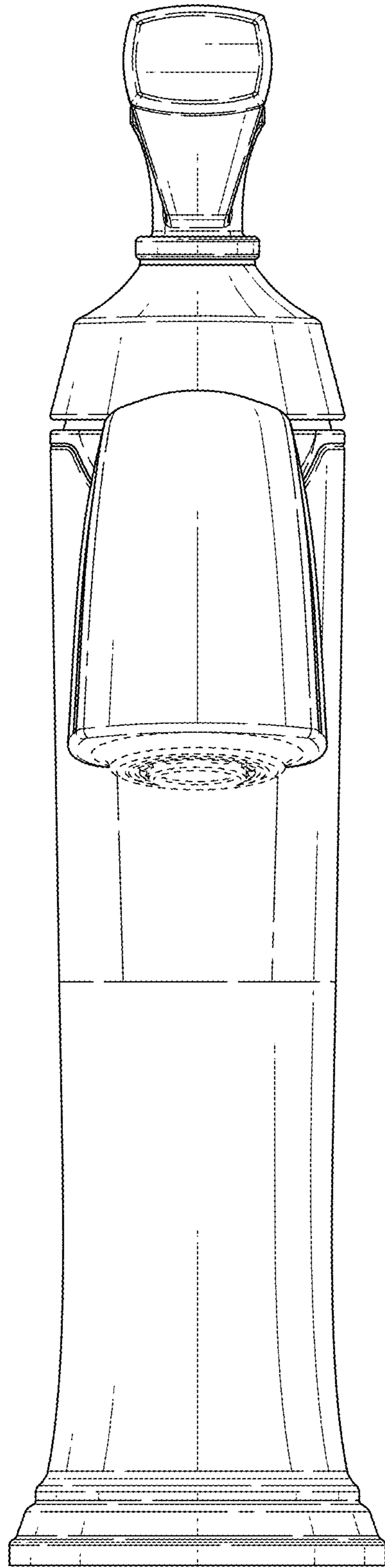


FIG. 2

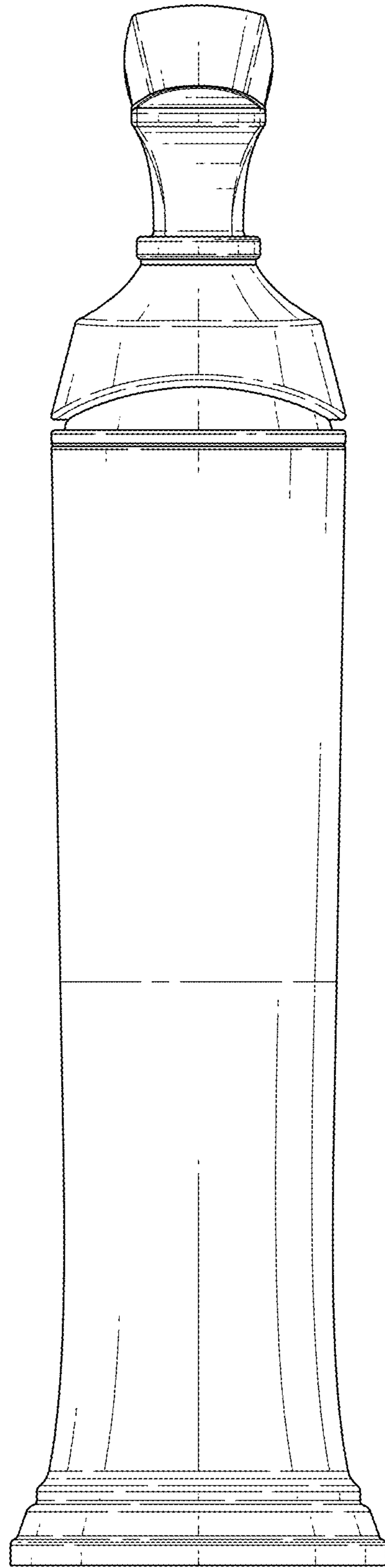


FIG. 3

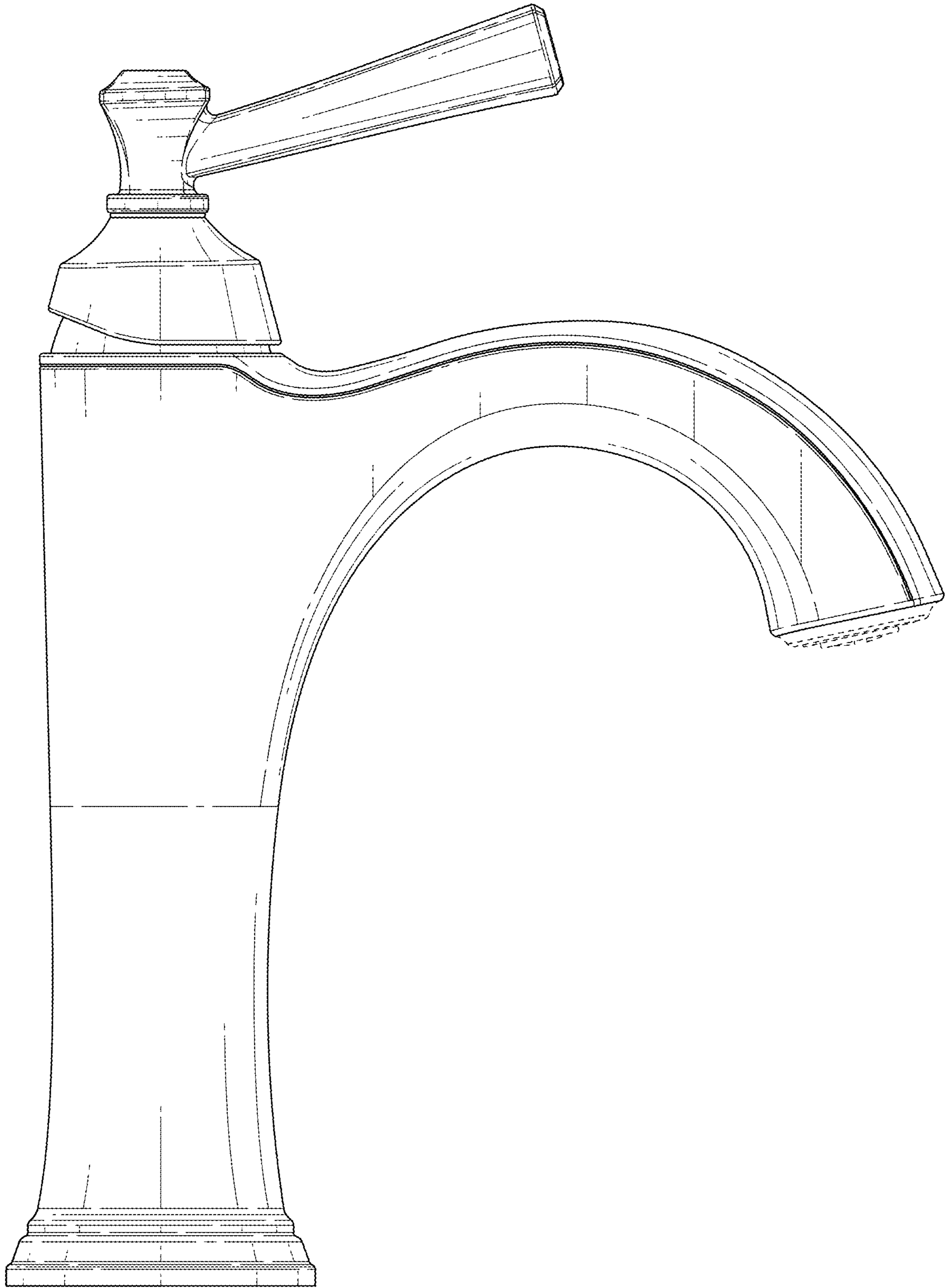


FIG. 4

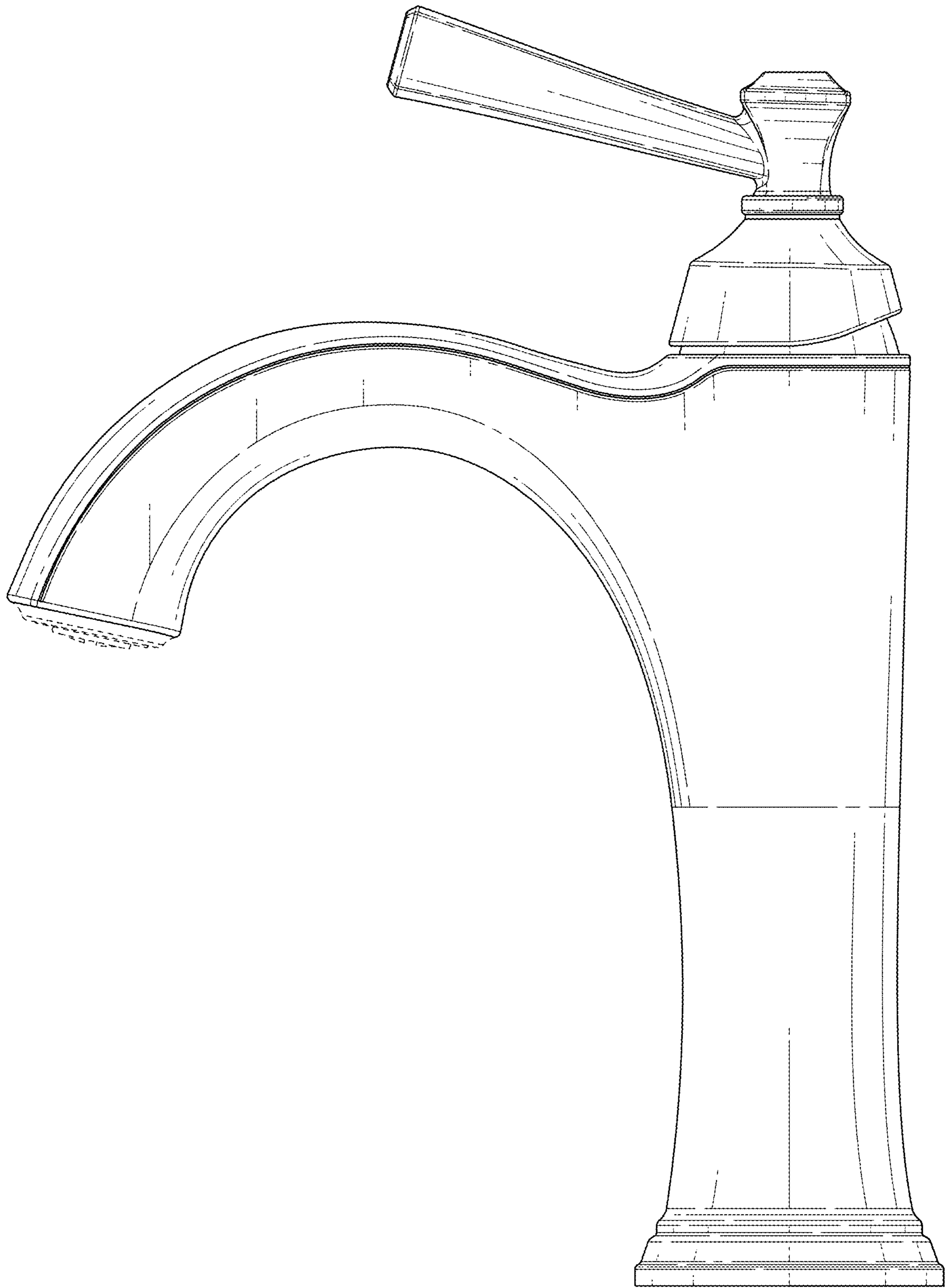


FIG. 5

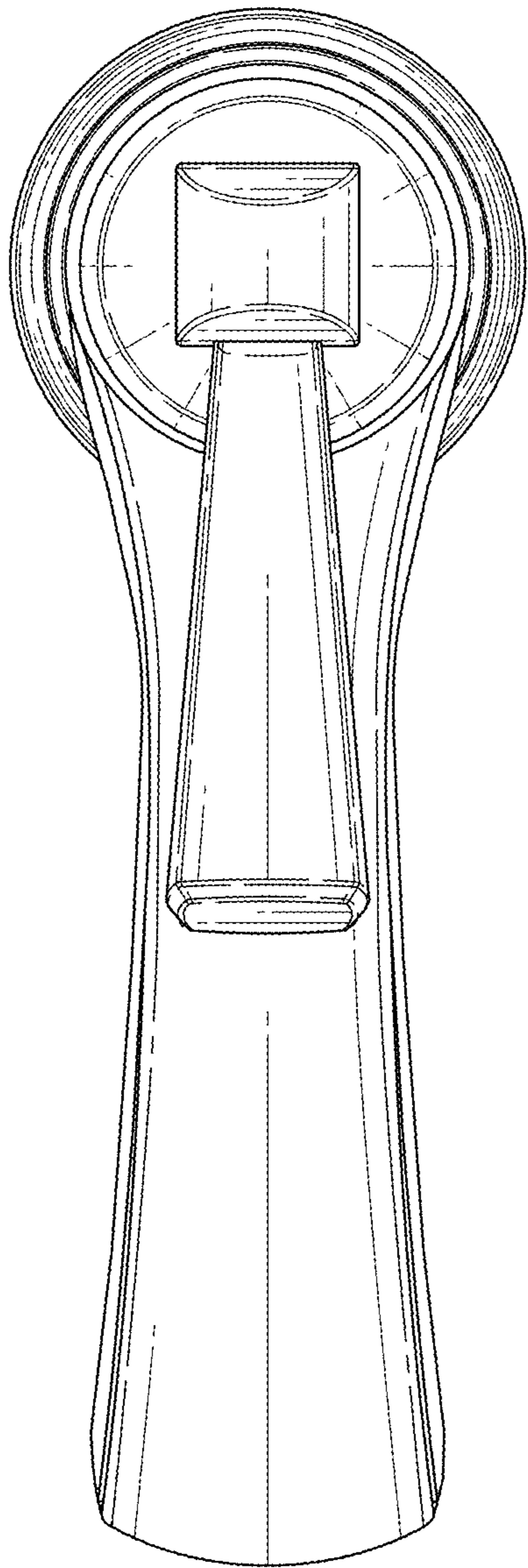


FIG. 6

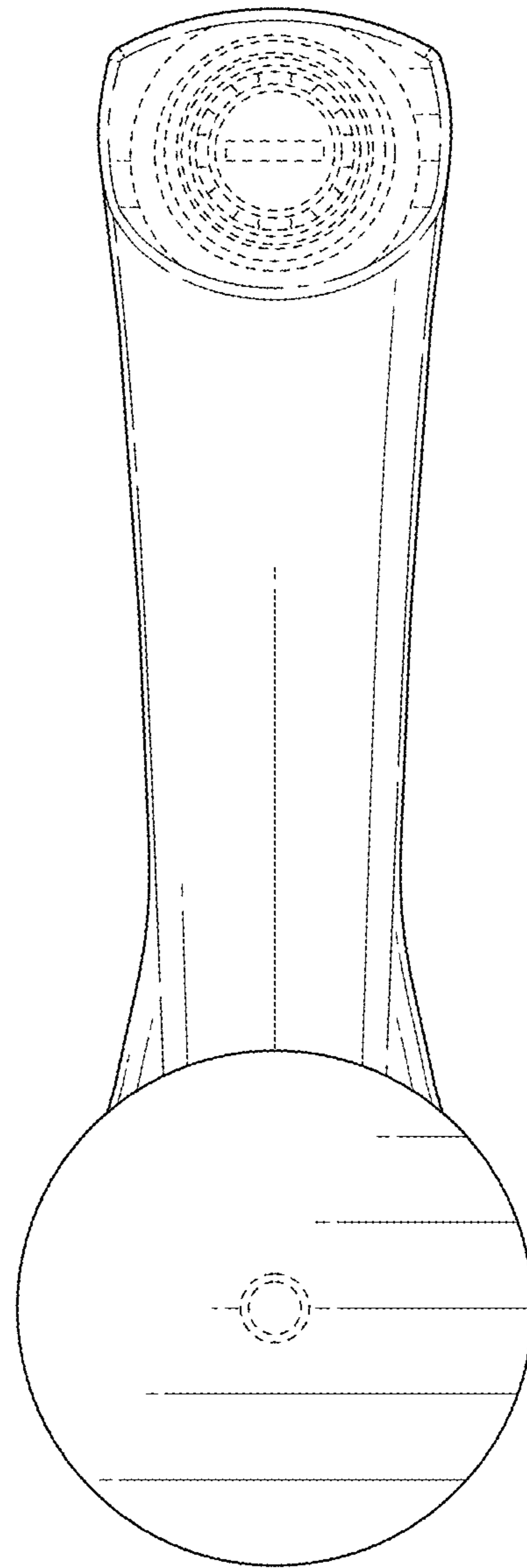


FIG. 7

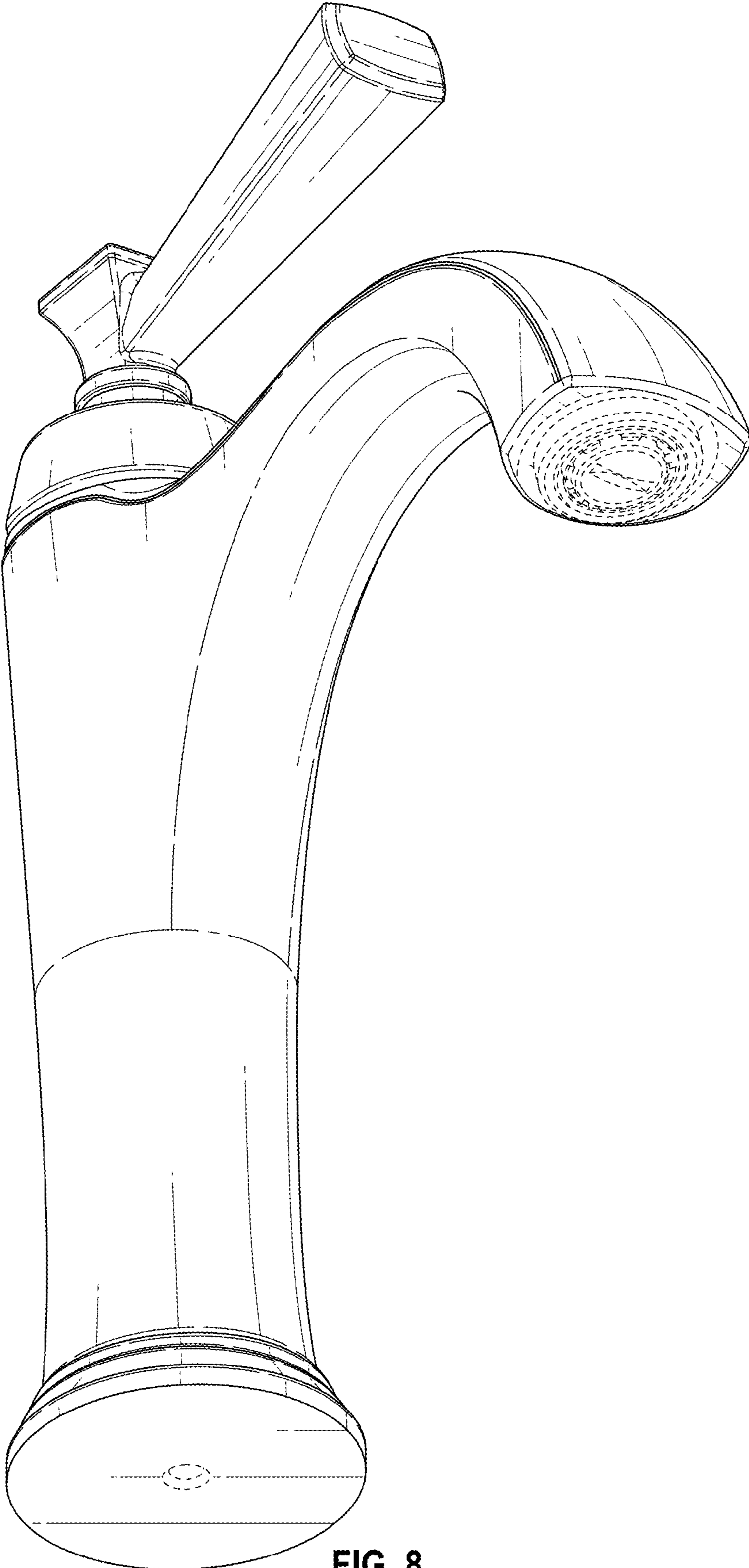


FIG. 8