



US00D959608S

(12) **United States Design Patent**
Witt et al.

(10) **Patent No.:** **US D959,608 S**

(45) **Date of Patent:** **** Aug. 2, 2022**

- (54) **FAUCET**
- (71) Applicant: **HANSGROHE SE**, Schiltach (DE)
- (72) Inventors: **Alvaro Witt**, Stuttgart (DE); **Andreas Diefenbach**, Ludwigsburg-Ossweil (DE)
- (73) Assignee: **Hansgrohe SE**, Schiltach (DE)
- (**) Term: **15 Years**
- (21) Appl. No.: **29/757,427**
- (22) Filed: **Nov. 5, 2020**

6,385,794	B1	*	5/2002	Miedzius	A61H 35/02
						239/16
D466,979	S	*	12/2002	Shulz	D23/238
D522,624	S	*	6/2006	Koury	D23/252
D524,922	S	*	7/2006	Gilbert	D23/255
D527,444	S	*	8/2006	Gilbert	D23/255
D530,786	S	*	10/2006	Gilbert	D23/238
D541,388	S	*	4/2007	Dolan	D23/255
D574,064	S	*	7/2008	Hanna	D23/257
D574,470	S	*	8/2008	Wolf	D23/255
D581,027	S	*	11/2008	Dolan	D23/255
D581,494	S	*	11/2008	Dolan	D23/255
D582,013	S	*	12/2008	Yuan	D23/252
D603,023	S	*	10/2009	Tippens	D23/257
D646,359	S	*	10/2011	Sieger	D23/238
D683,825	S	*	6/2013	Sofield	D23/255

(Continued)

(30) **Foreign Application Priority Data**

May 11, 2020 (EM) 007880810-0011

(51) **LOC (13) Cl.** **23-01**

(52) **U.S. Cl.**
USPC **D23/238**

(58) **Field of Classification Search**
USPC D23/257, 249, 254, 259, 255, 233, 234,
D23/235, 236, 237, 238, 240, 241, 242,
D23/243, 250, 251, 252, 253
CPC E03C 1/01; E03C 1/0409; E03C 1/025;
E03C 1/0408; E03C 1/04; E03C 1/0401;
E03C 1/0402; E03C 1/0405; E03C
1/0412; Y10T 137/5339; Y10T 137/6014;
Y10T 137/6021

See application file for complete search history.

(56) **References Cited**

U.S. PATENT DOCUMENTS

D76,904	S	*	11/1928	Smith	D23/254
D175,819	S	*	10/1955	Young	D23/252
D295,550	S	*	5/1988	Yost	D23/255
D300,653	S	*	4/1989	Paul	D23/255
D322,658	S	*	12/1991	Kohler, Jr.	D23/255

FOREIGN PATENT DOCUMENTS

CN	03362340.6	*	9/2003
EM	001989682-0003		2/2012

(Continued)

Primary Examiner — Samantha Wood

(74) *Attorney, Agent, or Firm* — Lora J. Graentzdoerffer

(57) **CLAIM**

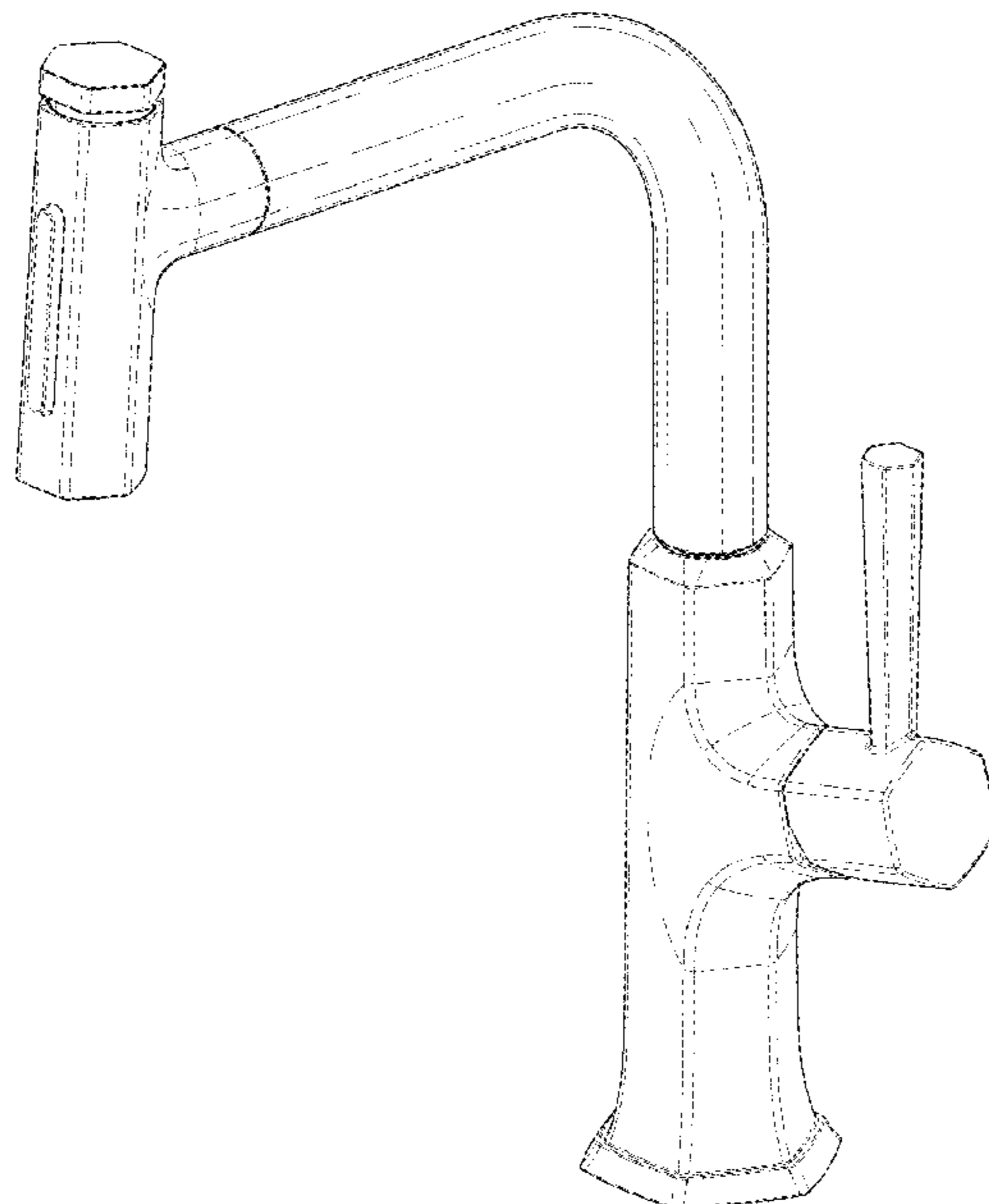
The ornamental design for a faucet, as shown and described.

DESCRIPTION

FIG. 1 is a perspective view of a faucet showing our design; FIG. 2 is a front elevational view; FIG. 3 is a rear elevational view; FIG. 4 is a side elevational view; FIG. 5 is a side elevational view; FIG. 6 is a top plan view; and, FIG. 7 is a bottom plan view.

The broken lines are included for the purpose of illustrating portions of the faucet and form no part of the claimed design.

1 Claim, 7 Drawing Sheets



(56)

References Cited

U.S. PATENT DOCUMENTS

D696,386 S	*	12/2013	Schoenherr	D23/238
D718,421 S	*	11/2014	Smith	D23/252
D718,424 S	*	11/2014	Smith	D23/255
D829,865 S	*	10/2018	Georgeson	D23/238
D834,148 S	*	11/2018	Thomas	D23/242
D842,436 S	*	3/2019	Schoenherr	D23/257
D855,156 S	*	7/2019	Stuart	D23/238
D867,537 S	*	11/2019	Garland	D23/242
D868,211 S	*	11/2019	Garland	D23/238
D884,123 S	*	5/2020	Eads	D23/238
D896,348 S	*	9/2020	Zhang	D23/238
D905,202 S	*	12/2020	Zhang	D23/238
D914,149 S	*	3/2021	Flaig	D23/238

FOREIGN PATENT DOCUMENTS

EM	001989682-0004	2/2012
EM	002626689-0001	3/2015
EM	006408795-0007	6/2019

* cited by examiner

FIG. 1

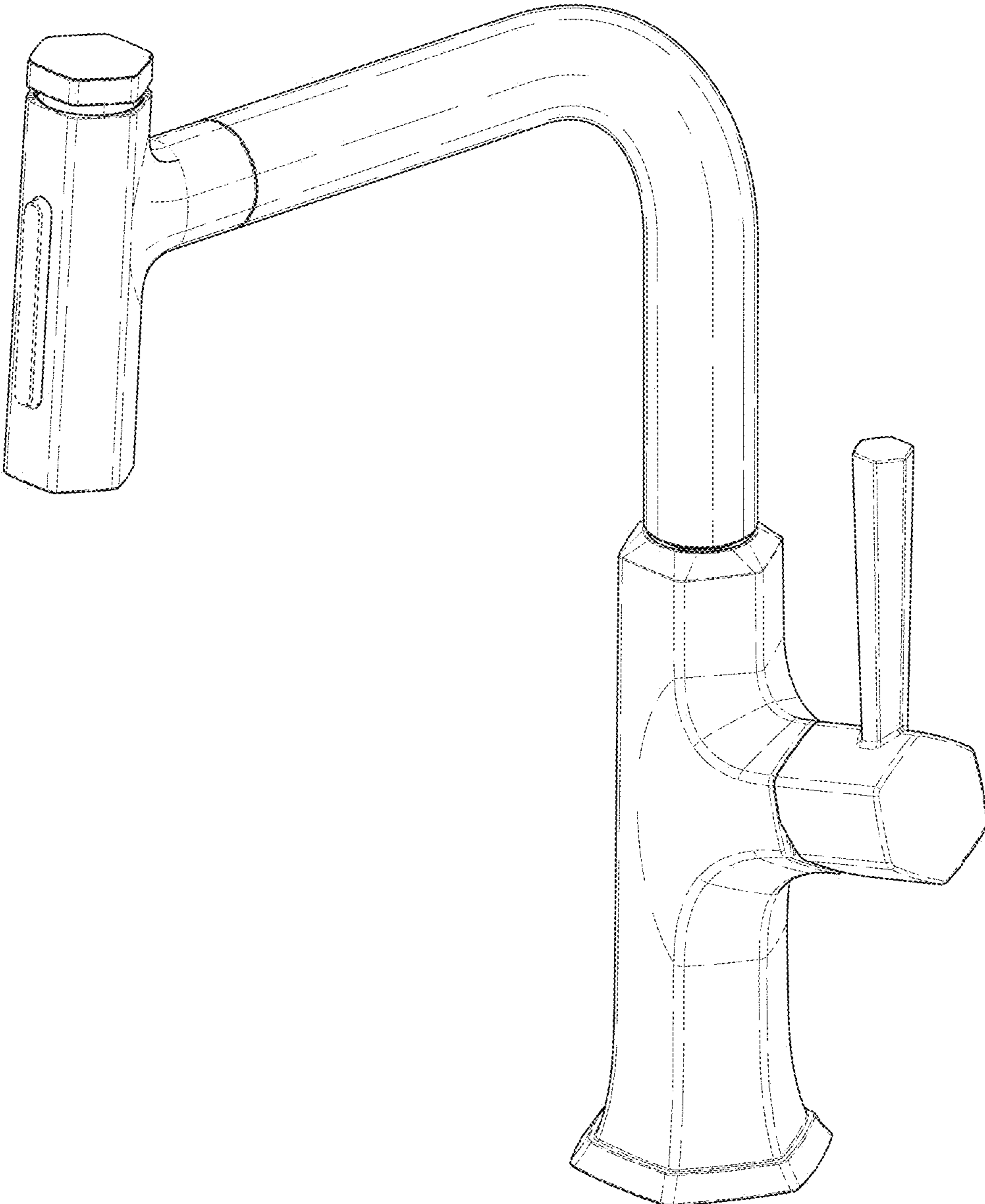


FIG. 2

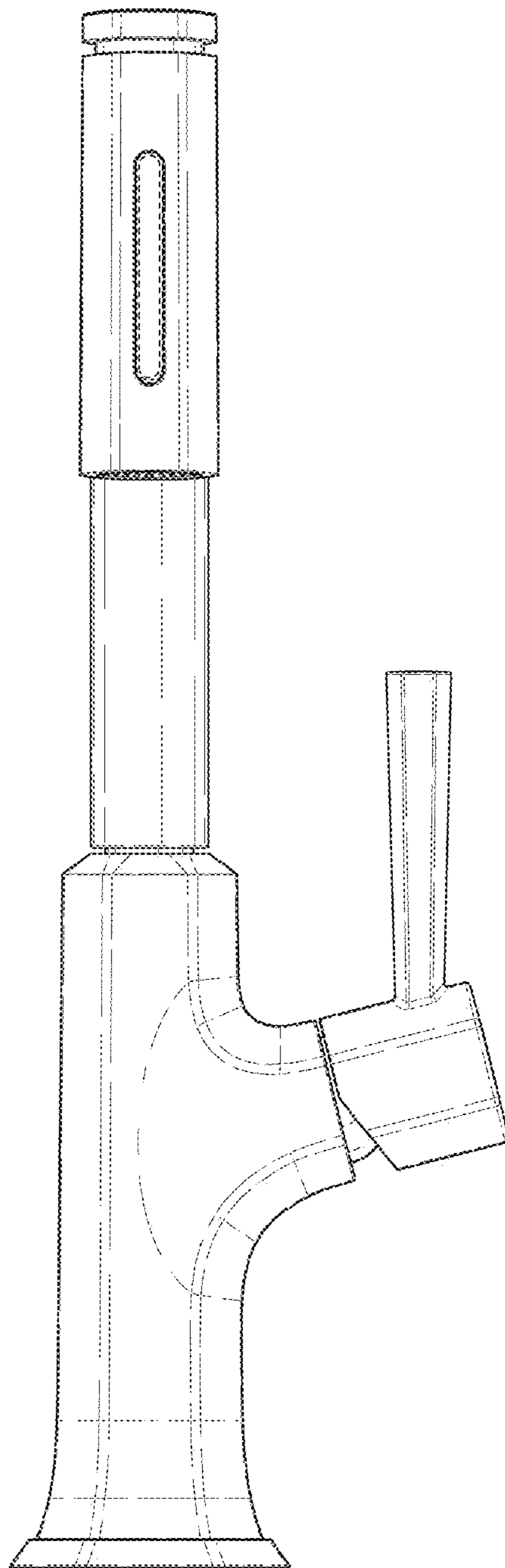


FIG. 3

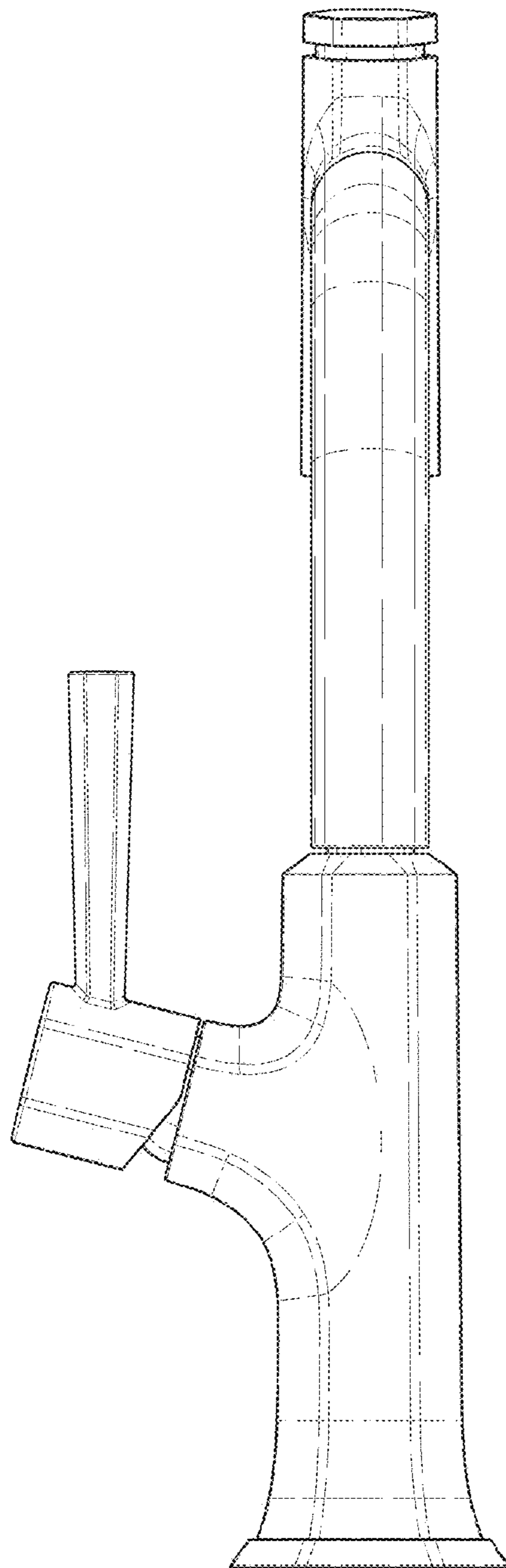


FIG. 4

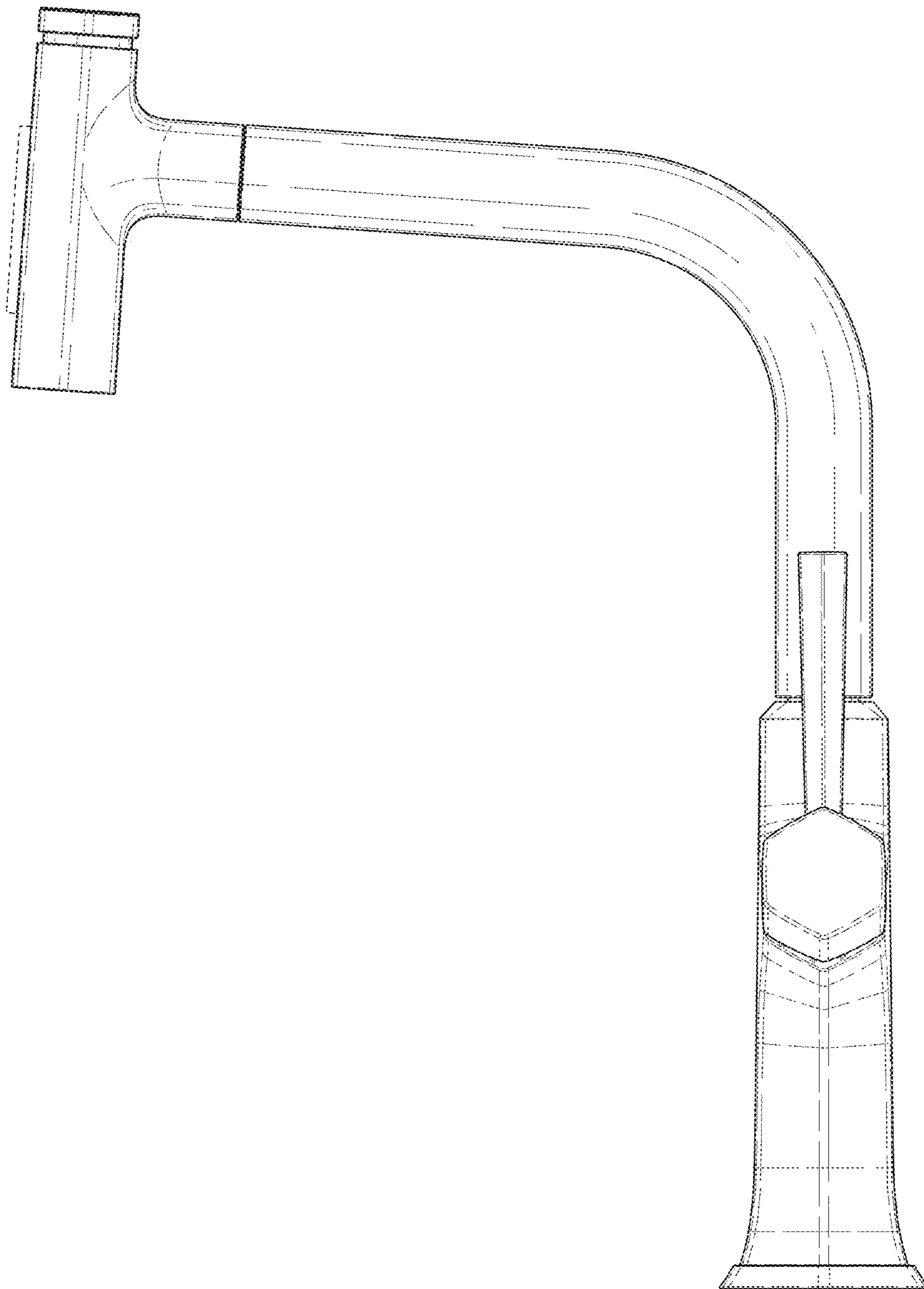


FIG. 5

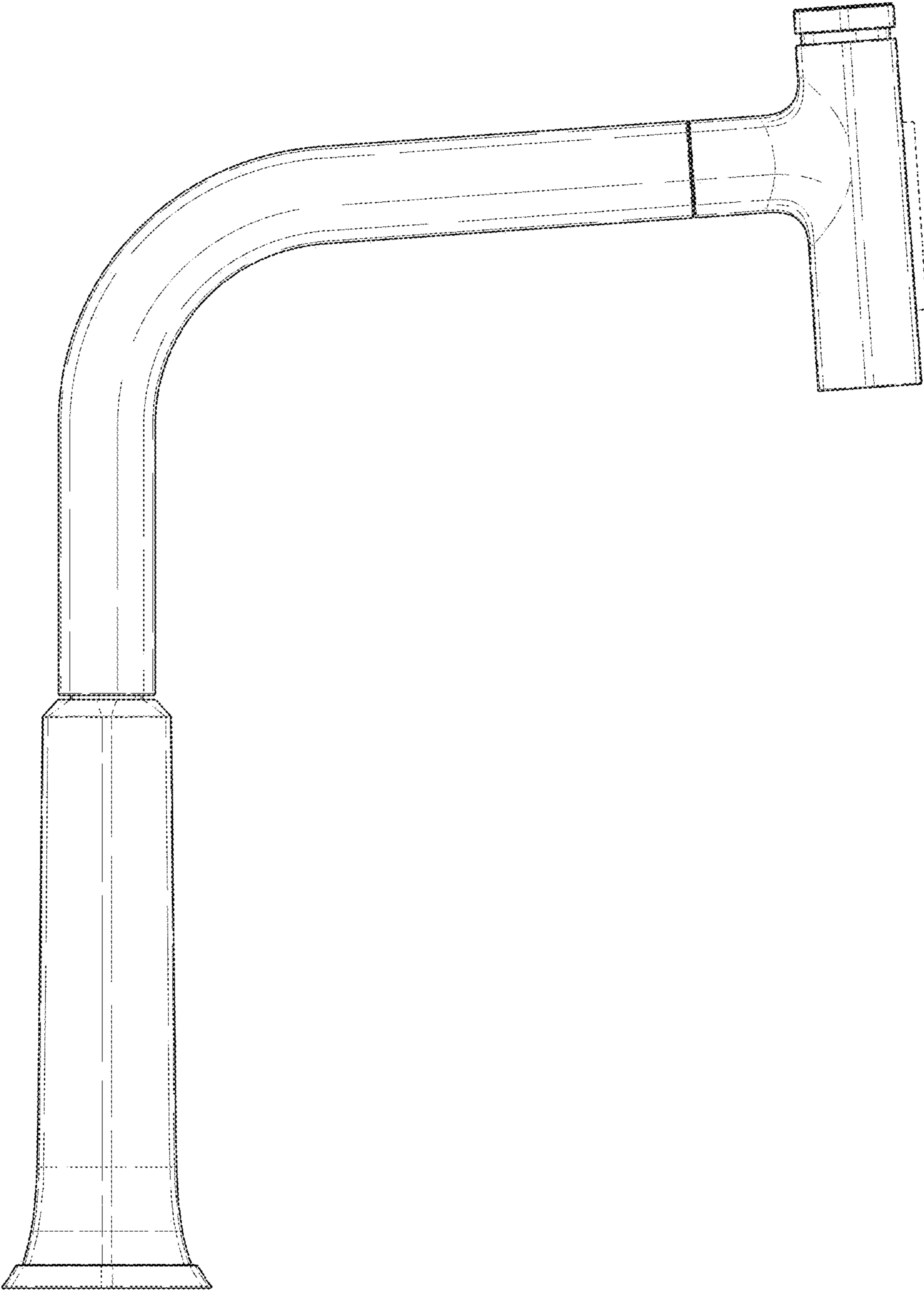


FIG. 6

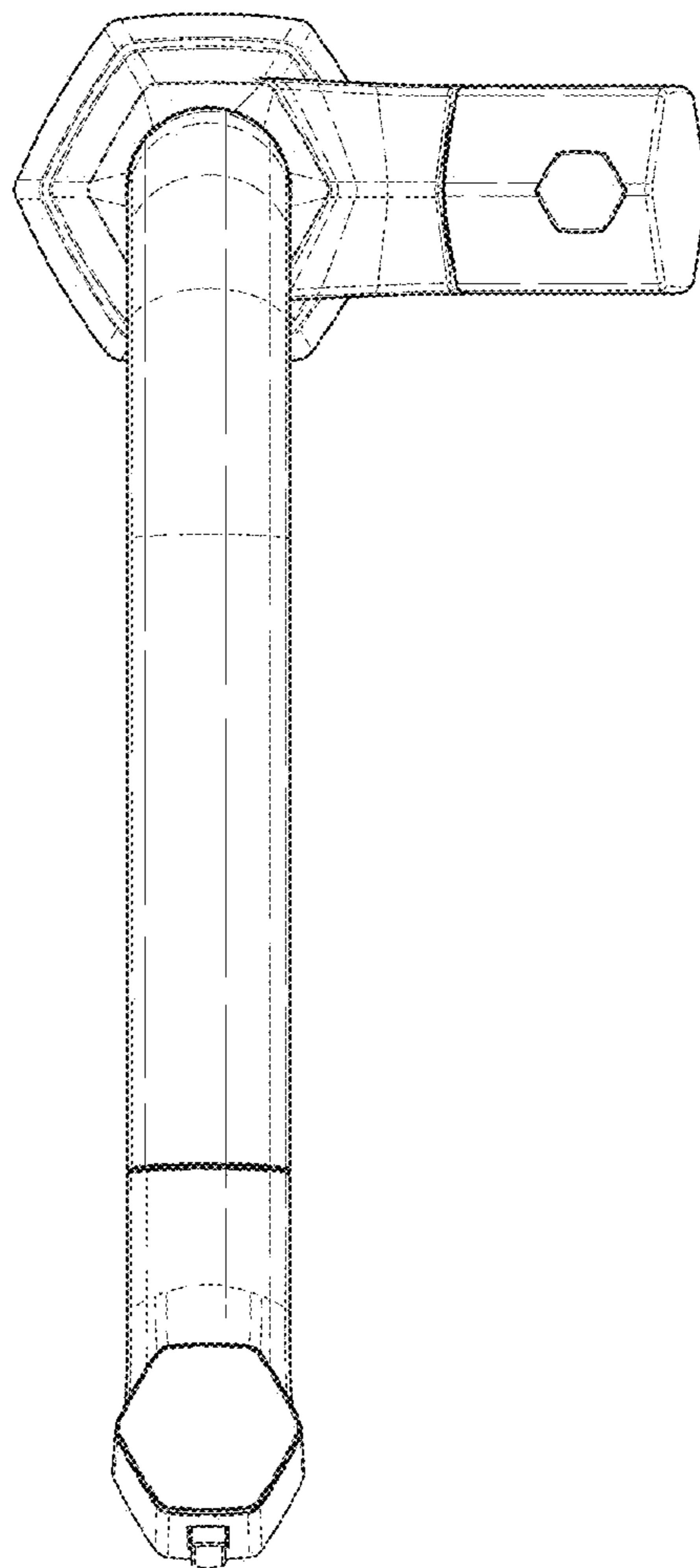


FIG. 7

