



US00D959606S

(12) **United States Design Patent**  
**Tobler et al.**

(10) **Patent No.:** **US D959,606 S**  
(45) **Date of Patent:** **\*\* Aug. 2, 2022**

(54) **SPRAY GUN**

(71) Applicant: **GEMA SWITZERLAND GMBH**, St. Gallen (CH)

(72) Inventors: **Roger Tobler**, Herisau (CH); **Marco Sanwald**, Abtwil (CH)

(73) Assignee: **GEMA SWITZERLAND GMBH**, St. Gallen (CH)

(\*\*) Term: **15 Years**

(21) Appl. No.: **29/704,812**

(22) Filed: **Sep. 6, 2019**

(51) **LOC (13) Cl.** ..... **23-01**

(52) **U.S. Cl.**  
USPC ..... **D23/226**

(58) **Field of Classification Search**  
USPC ..... D23/207, 213, 223, 225, 226, 356, 360;  
D15/9  
CPC .. B05B 5/025; B05B 5/03; B05B 5/16; B05B 5/1691; B05B 7/0018; B05B 7/0093; B05B 7/02; B05B 7/06; B05B 7/062; B05B 7/064; B05B 7/12; B05B 7/129; B05B 7/24; B05B 7/2475; B05B 7/2478; B05B 15/60; B05B 15/63

See application file for complete search history.

(56) **References Cited**

**U.S. PATENT DOCUMENTS**

- 2,910,248 A \* 10/1959 Kueter ..... B05B 7/1236  
239/415
- 4,286,734 A \* 9/1981 Tonge ..... B05B 7/12  
222/145.1
- D318,712 S \* 7/1991 Buschor ..... D23/226
- D325,241 S \* 4/1992 Buschor ..... D23/226
- D334,615 S \* 4/1993 Berfield ..... D23/226

(Continued)

**OTHER PUBLICATIONS**

Kingkun Powder Coating Sprayer Gun, Dec. 23, 2018, Amazon, site visited Sep. 13, 2021: <https://www.amazon.com/dp/B07MN6PSYC/> (Year: 2018).\*

(Continued)

*Primary Examiner* — Jack Reickel

*Assistant Examiner* — Bobby W Jones, II

(74) *Attorney, Agent, or Firm* — Kinney & Lange, P.A.

(57) **CLAIM**

The ornamental design for a spray gun, as shown and described.

**DESCRIPTION**

The file of this patent contains at least one drawing/photograph executed in color. Copies of this patent with color drawing(s)/photograph(s) will be provided by the Office upon request and payment of the necessary fee.

FIG. 1 is a perspective view of a first embodiment of a spray gun;

FIG. 2 is a bottom plan view thereof;

FIG. 3 is a top plan view thereof;

FIG. 4 is a left side view thereof;

FIG. 5 is a front elevational view thereof;

FIG. 6 is a rear elevational view thereof;

FIG. 7 is a right side view thereof;

FIG. 8 is a perspective view of a second embodiment of a spray gun;

FIG. 9 is a bottom plan view thereof;

FIG. 10 is a top plan view thereof;

FIG. 11 is a left side view thereof;

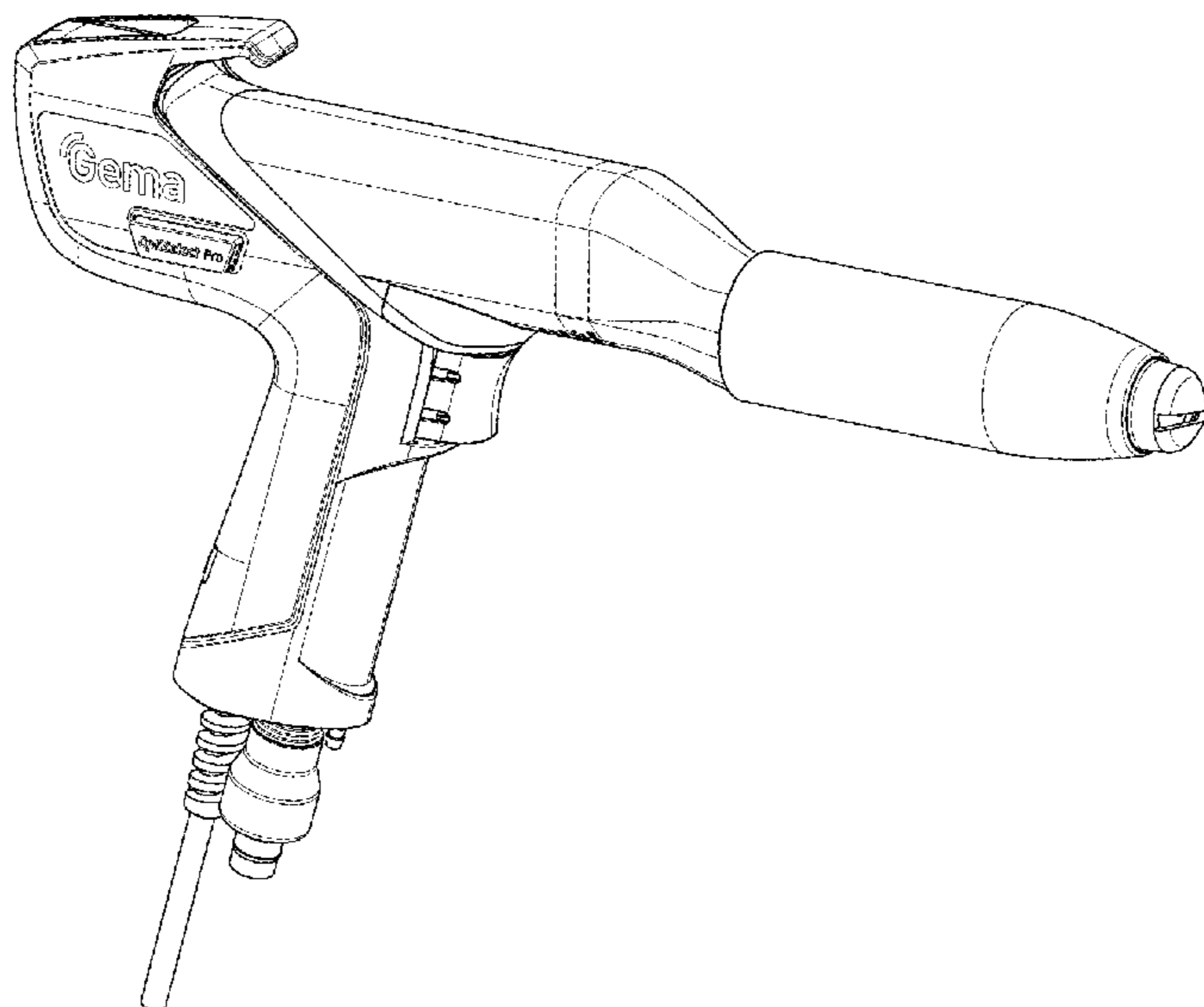
FIG. 12 is a front elevational view thereof;

FIG. 13 is a rear elevational view thereof; and,

FIG. 14 is a right side view thereof.

The broken lines shown in the figures represent portions of the spray gun that form no part of the claimed design.

**1 Claim, 14 Drawing Sheets**  
**(7 of 14 Drawing Sheet(s) Filed in Color)**



(56)

**References Cited**

U.S. PATENT DOCUMENTS

5,678,770 A \* 10/1997 Shah ..... B05B 5/0531  
239/690  
D397,421 S \* 8/1998 Adams ..... D23/226  
D441,833 S \* 5/2001 Haas ..... D23/226  
7,617,998 B2 \* 11/2009 Mauchle ..... B05B 5/032  
239/707  
8,037,844 B2 \* 10/2011 Mather ..... B05B 5/032  
118/695  
D657,015 S \* 4/2012 Sanwald ..... D23/223  
D667,080 S \* 9/2012 Sanwald ..... D23/223  
8,584,973 B2 \* 11/2013 Mather ..... B05B 9/01  
239/526  
D725,743 S \* 3/2015 Richter ..... D23/226  
D727,466 S \* 4/2015 Richter ..... D23/226  
D736,887 S \* 8/2015 Schwarz ..... D23/223  
9,616,440 B2 \* 4/2017 Dietrich ..... B05B 5/0533  
10,539,318 B2 \* 1/2020 Fulkerson ..... B05B 5/053  
2008/0191067 A1 \* 8/2008 Mauchle ..... B05B 5/0531  
239/690  
2013/0270365 A1 \* 10/2013 Schwarz ..... B05B 5/1683  
239/310

OTHER PUBLICATIONS

Powder Coating System, Wagner Sprint Training, May 8, 2107,  
YouTube, site visited Sep. 13, 2021: [https://www.youtube.com/  
watch?v=4w9gr\\_iTIKY](https://www.youtube.com/watch?v=4w9gr_iTIKY) (Year: 2017).\*

\* cited by examiner

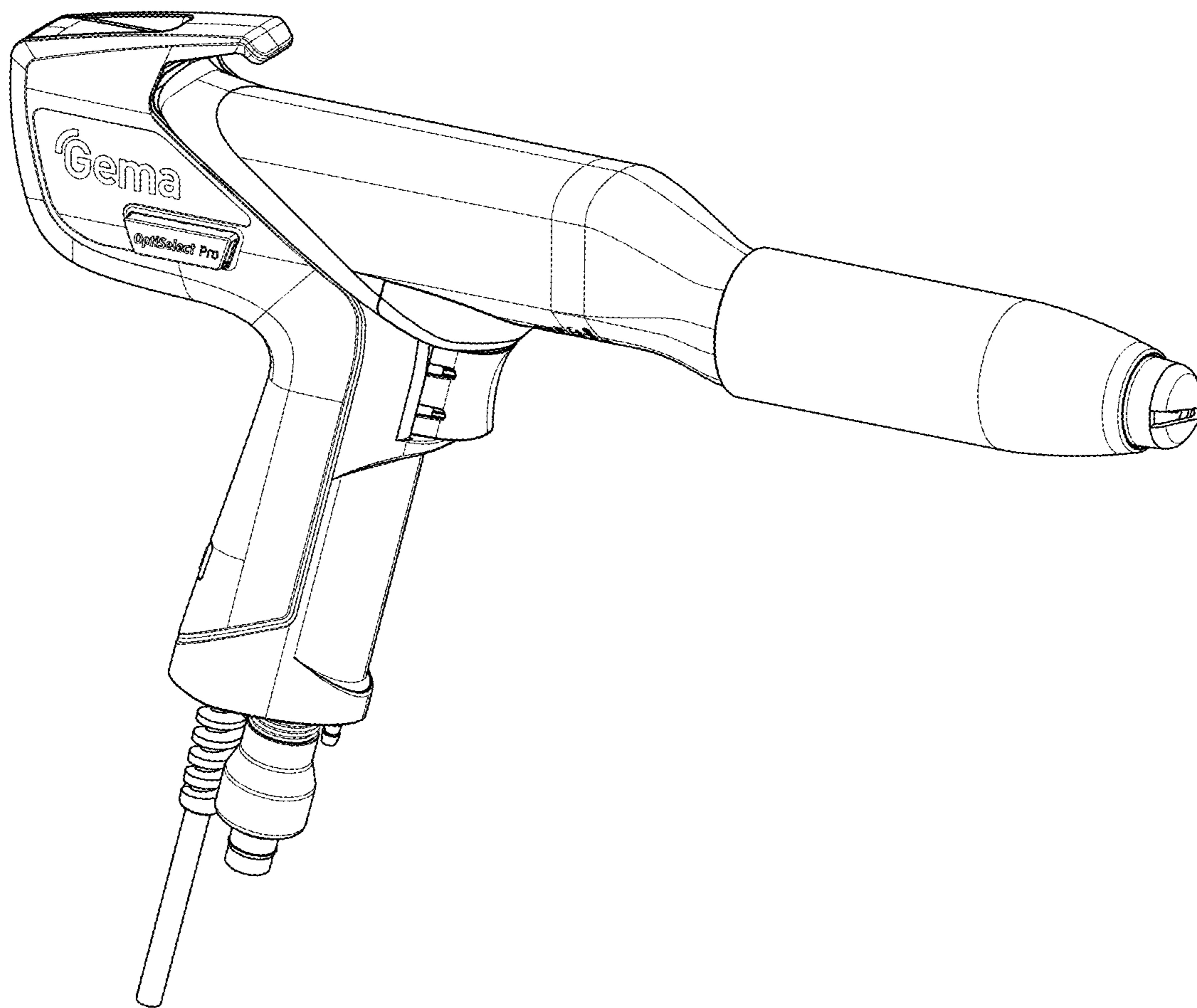


FIG. 1

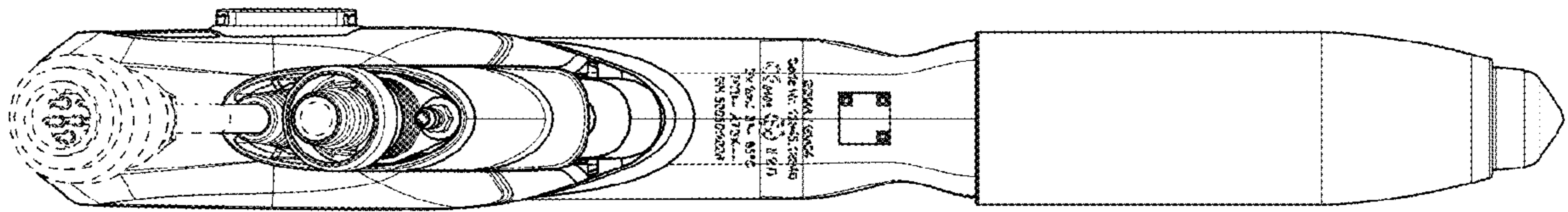


FIG. 2

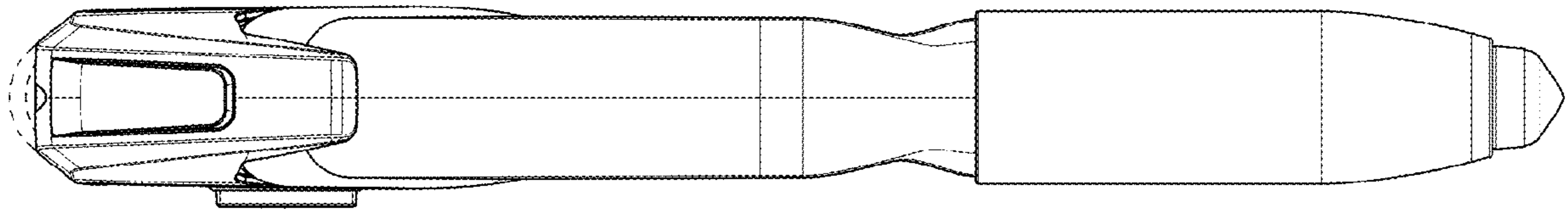


FIG. 3

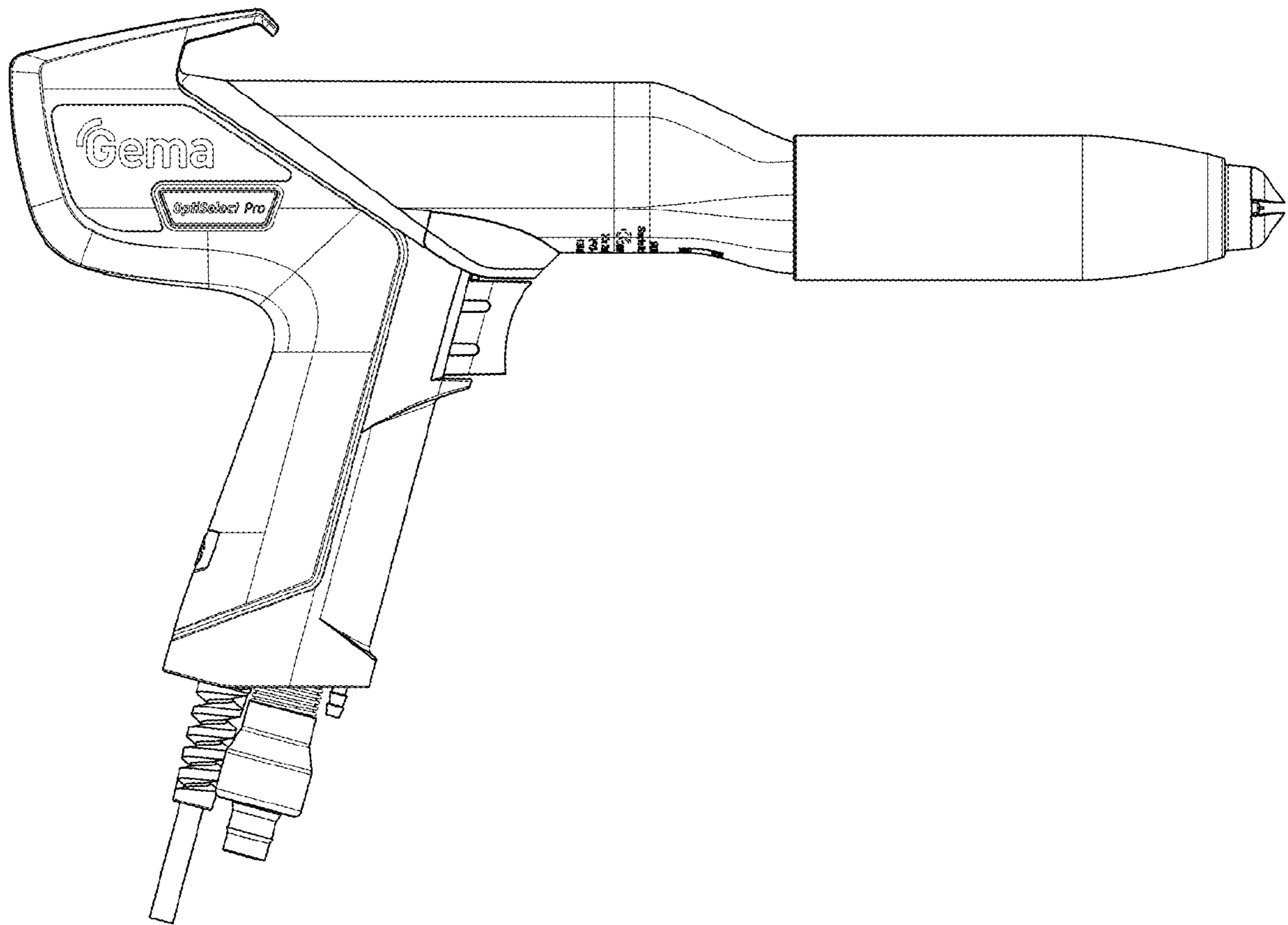


FIG.4

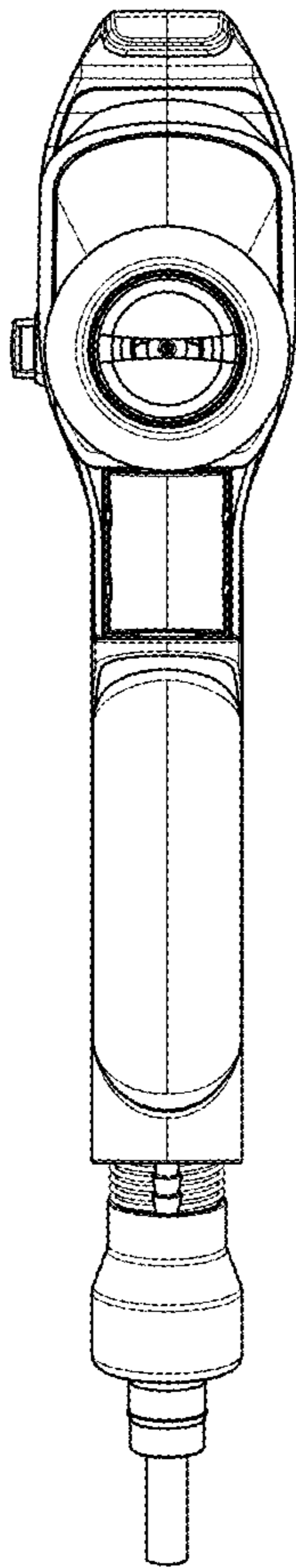


FIG. 5

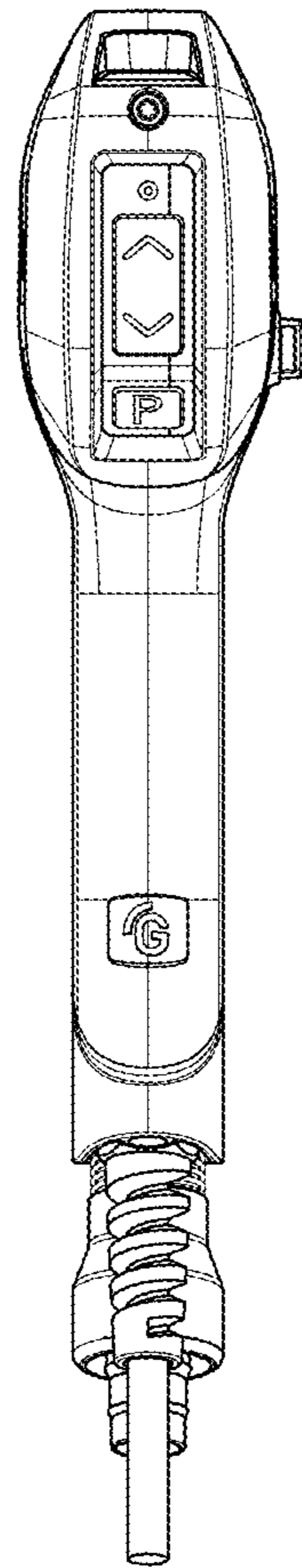


FIG.6



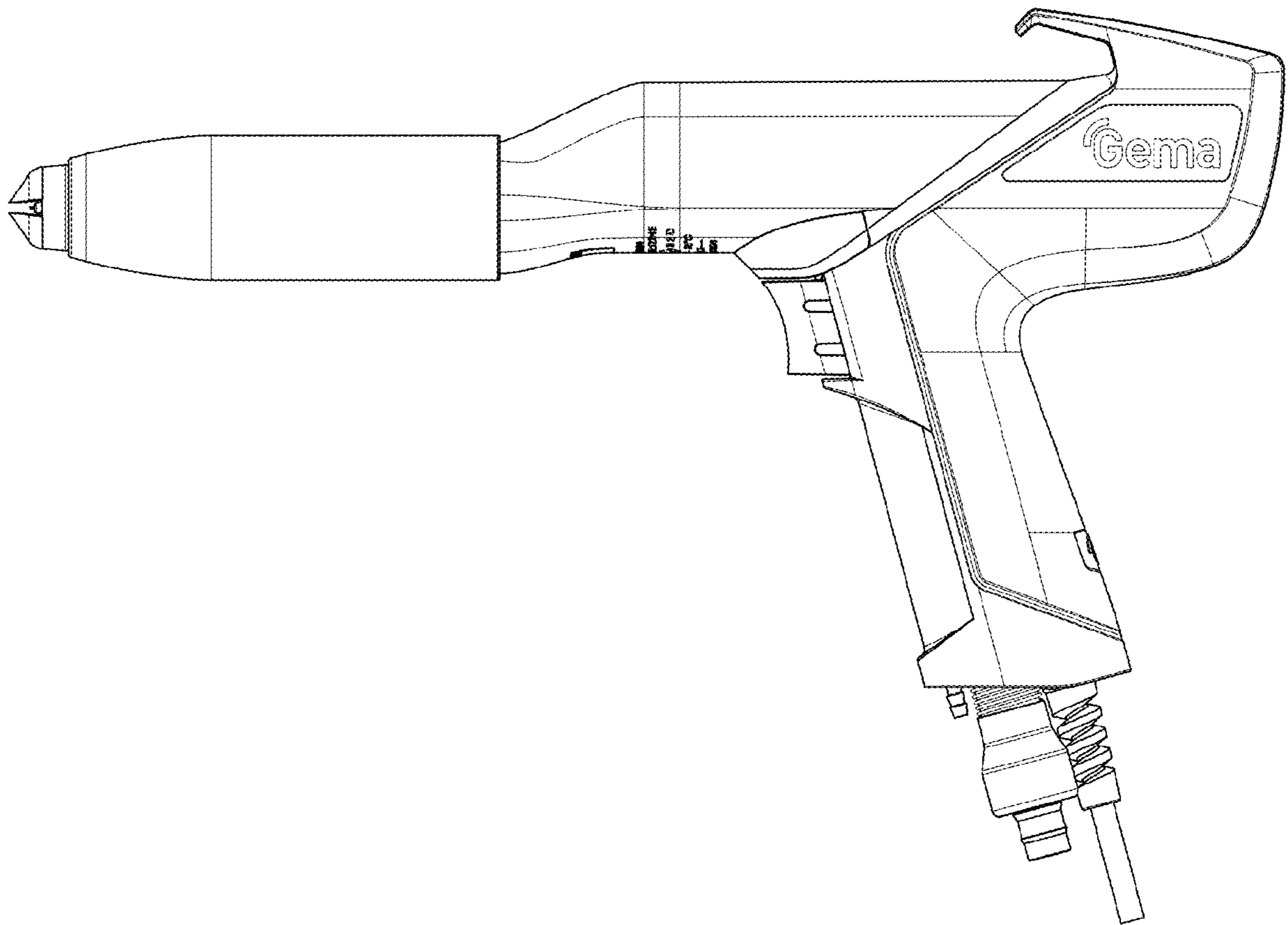


FIG. 7



FIG.8

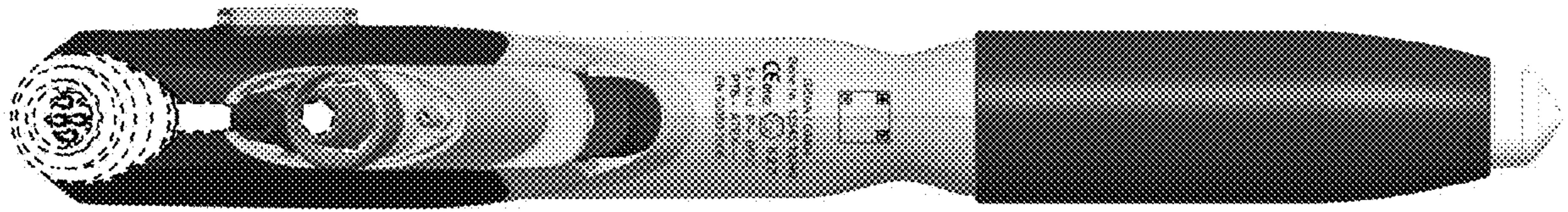


FIG. 9

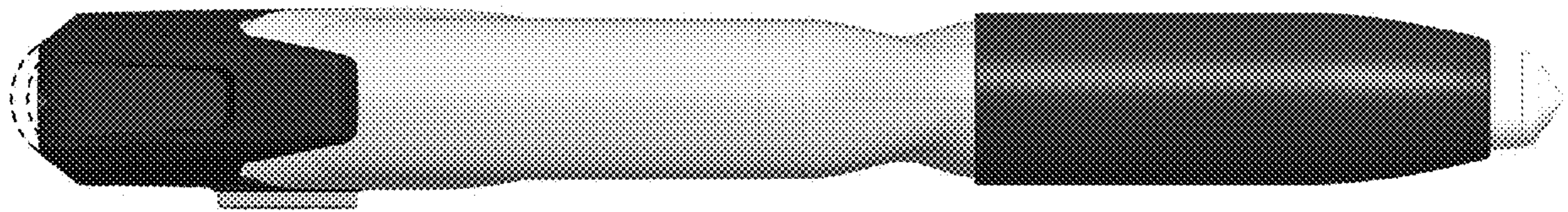


FIG. 10



FIG. 11

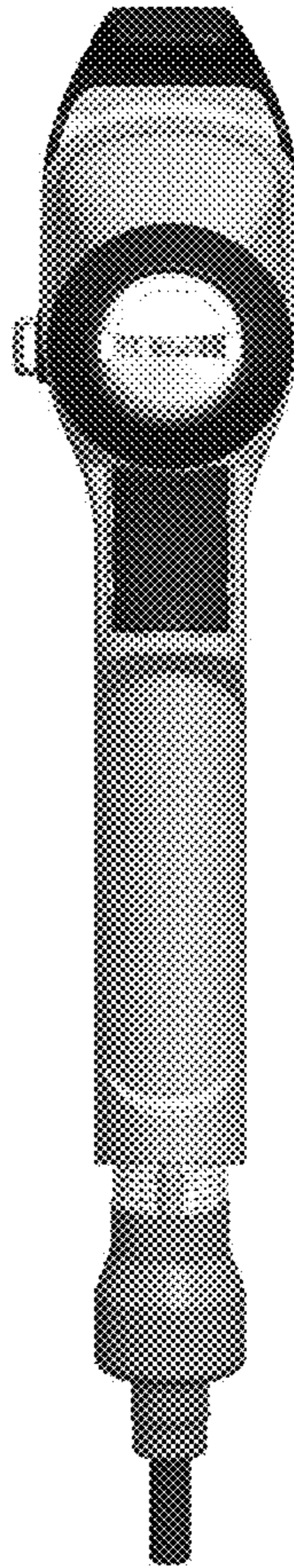


FIG. 12

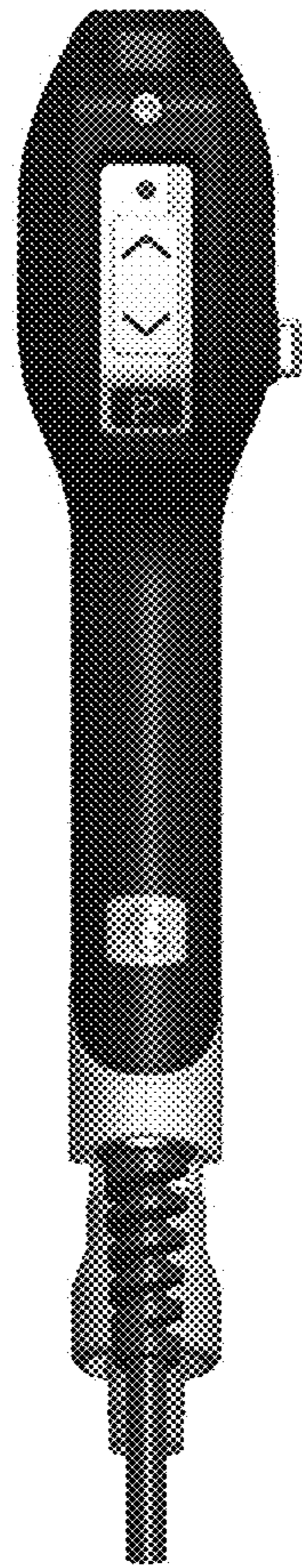


FIG. 13



FIG. 14



UNITED STATES PATENT AND TRADEMARK OFFICE  
**CERTIFICATE OF CORRECTION**

PATENT NO. : D959,606 S  
APPLICATION NO. : 29/704812  
DATED : August 2, 2022  
INVENTOR(S) : Roger Tobler and Marco Sanwald

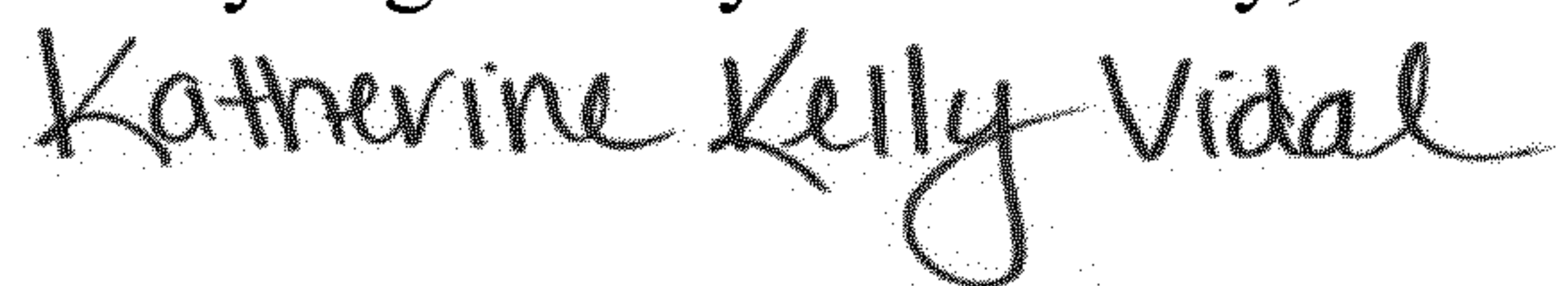
Page 1 of 1

It is certified that error appears in the above-identified patent and that said Letters Patent is hereby corrected as shown below:

On the Title Page

Item (30) Foreign Application Priority Data:  
Insert --March 7, 2019 (EM) 006292207-0001--

Signed and Sealed this  
Twenty-eighth Day of February, 2023



Katherine Kelly Vidal  
*Director of the United States Patent and Trademark Office*