



US00D959605S

(12) **United States Design Patent**  
**Tix et al.**

(10) **Patent No.:** **US D959,605 S**

(45) **Date of Patent:** **\*\* Aug. 2, 2022**

(54) **COMPONENT MIXING CHAMBER**

(71) Applicant: **Graco Minnesota Inc.**, Minneapolis, MN (US)

(72) Inventors: **Joseph E. Tix**, Hastings, MN (US);  
**Christopher J. Pellin**, Victoria, MN (US); **Justin J. Weldon**, Belle Plaine, MN (US)

(73) Assignee: **Graco Minnesota Inc.**, Minneapolis, MN (US)

(\*\*) Term: **15 Years**

(21) Appl. No.: **29/771,460**

(22) Filed: **Feb. 23, 2021**

(51) **LOC (13) Cl.** ..... **23-01**

(52) **U.S. Cl.**  
USPC ..... **D23/213**

(58) **Field of Classification Search**  
USPC ..... D15/133; D23/207, 213–215, 223, 224, D23/226, 229, 230  
CPC ..... A61H 9/0021; A61H 33/00; B05B 1/00; B05B 1/14; B05B 1/185; B05B 1/08; B05B 1/26; B05B 1/18; B05B 12/002  
See application file for complete search history.

(56) **References Cited**

**U.S. PATENT DOCUMENTS**

D734,427 S *	7/2015	Bygbjerg	.....	D24/201
D745,635 S *	12/2015	Schwarz	.....	D23/213
D749,693 S *	2/2016	Evans	.....	D23/213
D900,961 S *	11/2020	Wright	.....	D23/213
D904,562 S *	12/2020	Stewart	.....	D23/213
D904,565 S *	12/2020	Ross	.....	D23/213
D912,202 S *	3/2021	Takezawa	.....	D23/213
D920,471 S *	5/2021	Ross	.....	D23/213

D922,521 S *	6/2021	Ross	.....	D23/213
D926,923 S *	8/2021	Ross	.....	D23/213
D928,914 S *	8/2021	Dubac	.....	D23/213
D933,159 S *	10/2021	Ross	.....	D23/213
D933,160 S *	10/2021	Ross	.....	D23/213
D941,421 S *	1/2022	Kruse	.....	D23/207
D945,561 S *	3/2022	Kim	.....	D23/213

\* cited by examiner

*Primary Examiner* — Michael C Stout

*Assistant Examiner* — Fritzgerald L Butac

(74) *Attorney, Agent, or Firm* — Kinney & Lange, P. A.

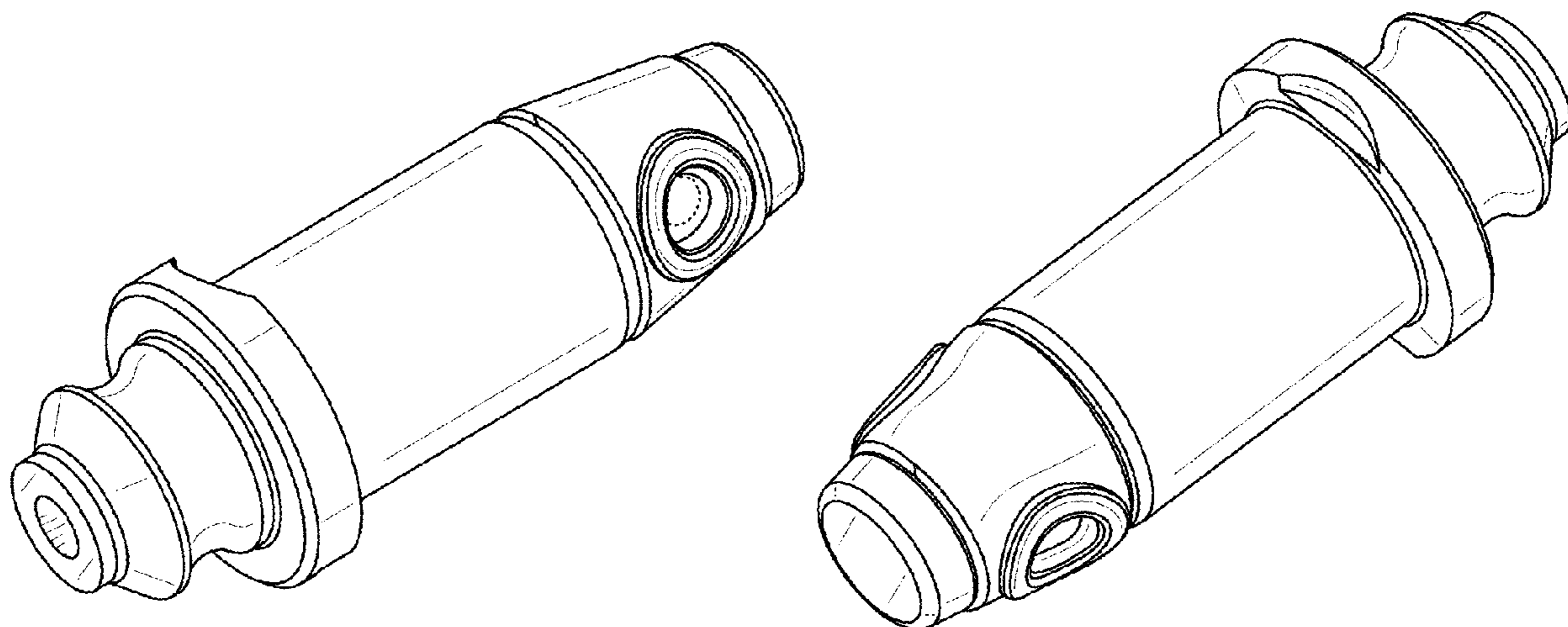
(57) **CLAIM**

The ornamental design for a component mixing chamber, as shown and described.

**DESCRIPTION**

FIG. 1 is a first isometric view of a component mixing chamber;  
 FIG. 2 is a second isometric view of the component mixing chamber;  
 FIG. 3 is a third isometric view of the component mixing chamber;  
 FIG. 4 is a left side view of the component mixing chamber;  
 FIG. 5 is a top plan view of the component mixing chamber;  
 FIG. 6 is a right side view of the component mixing chamber;  
 FIG. 7 is a bottom plan view of the component mixing chamber;  
 FIG. 8 is a front elevation view of the component mixing chamber; and,  
 FIG. 9 is a rear elevational view of the component mixing chamber.  
 The broken lines shown represent portions of a component mixing chamber and form no part of the claimed design.

**1 Claim, 5 Drawing Sheets**



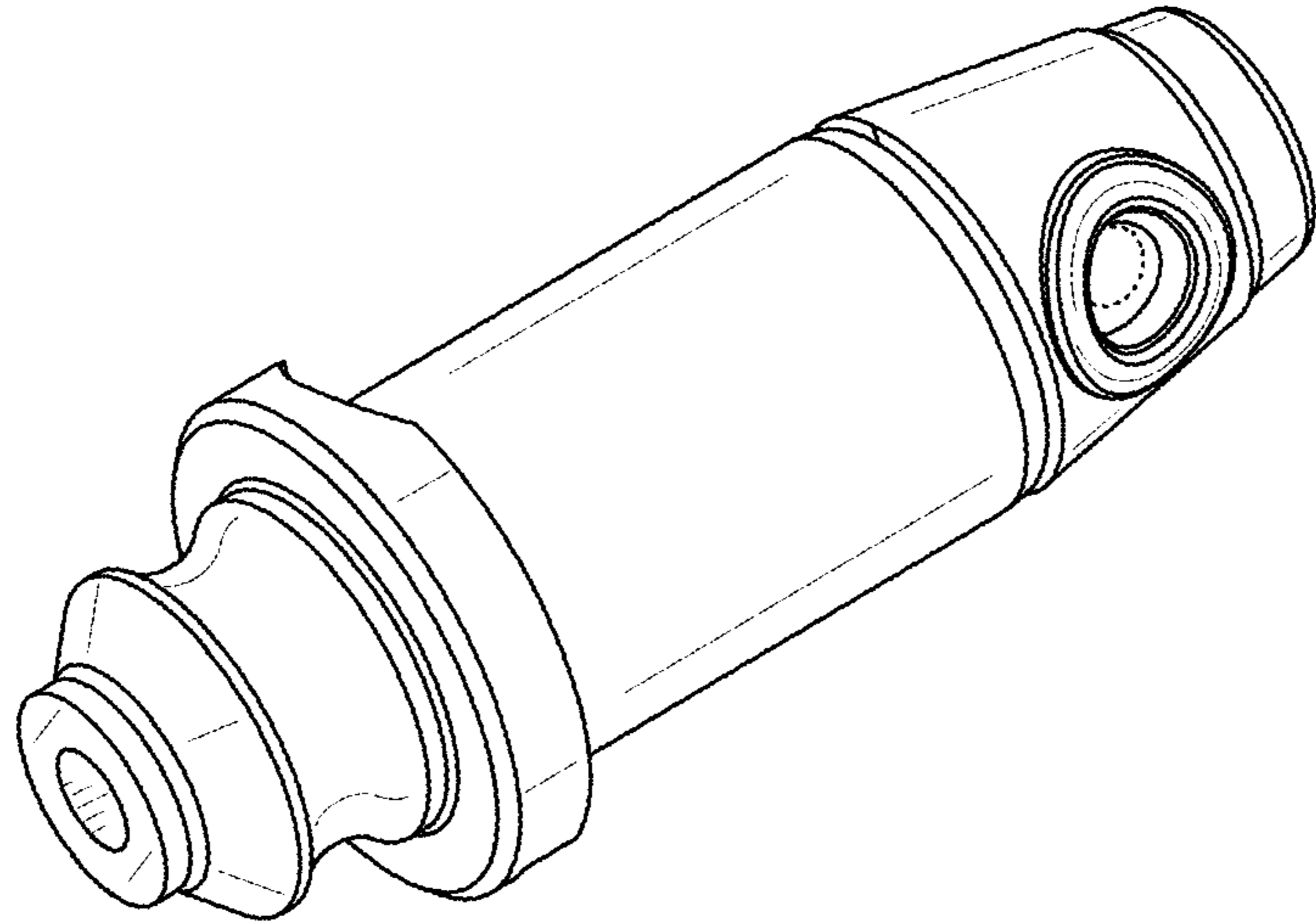


Fig. 1

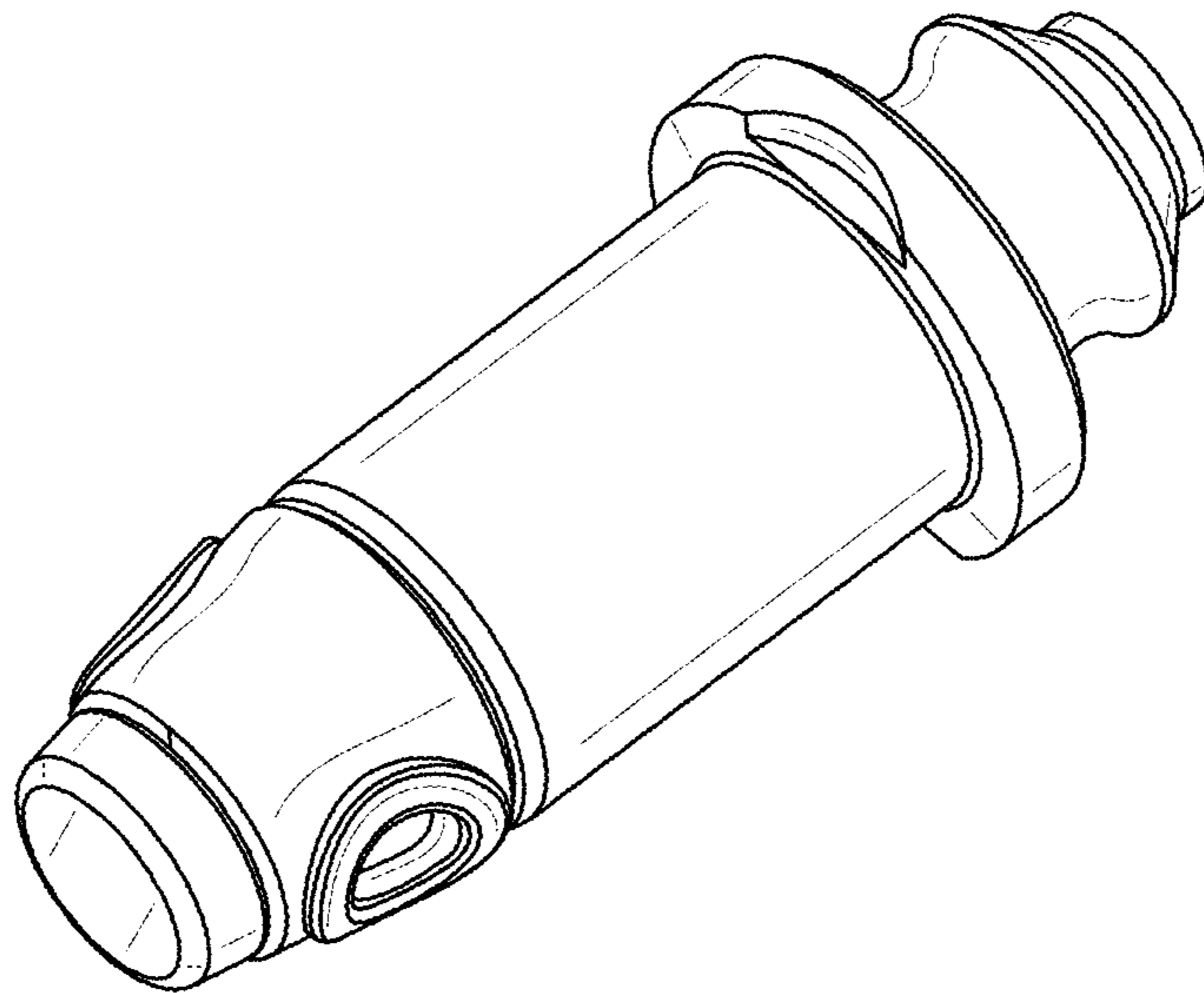


Fig. 2

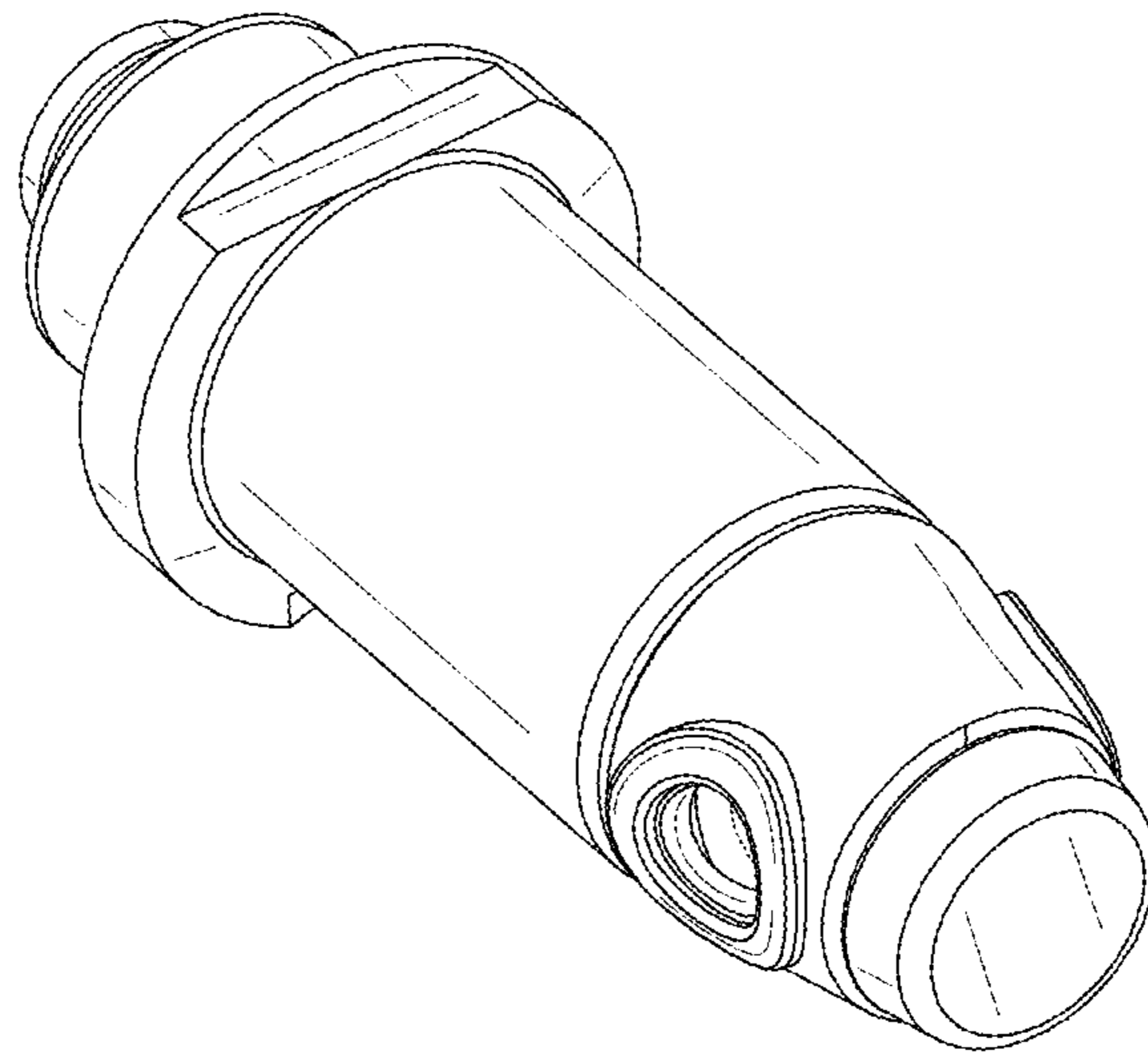


Fig. 3

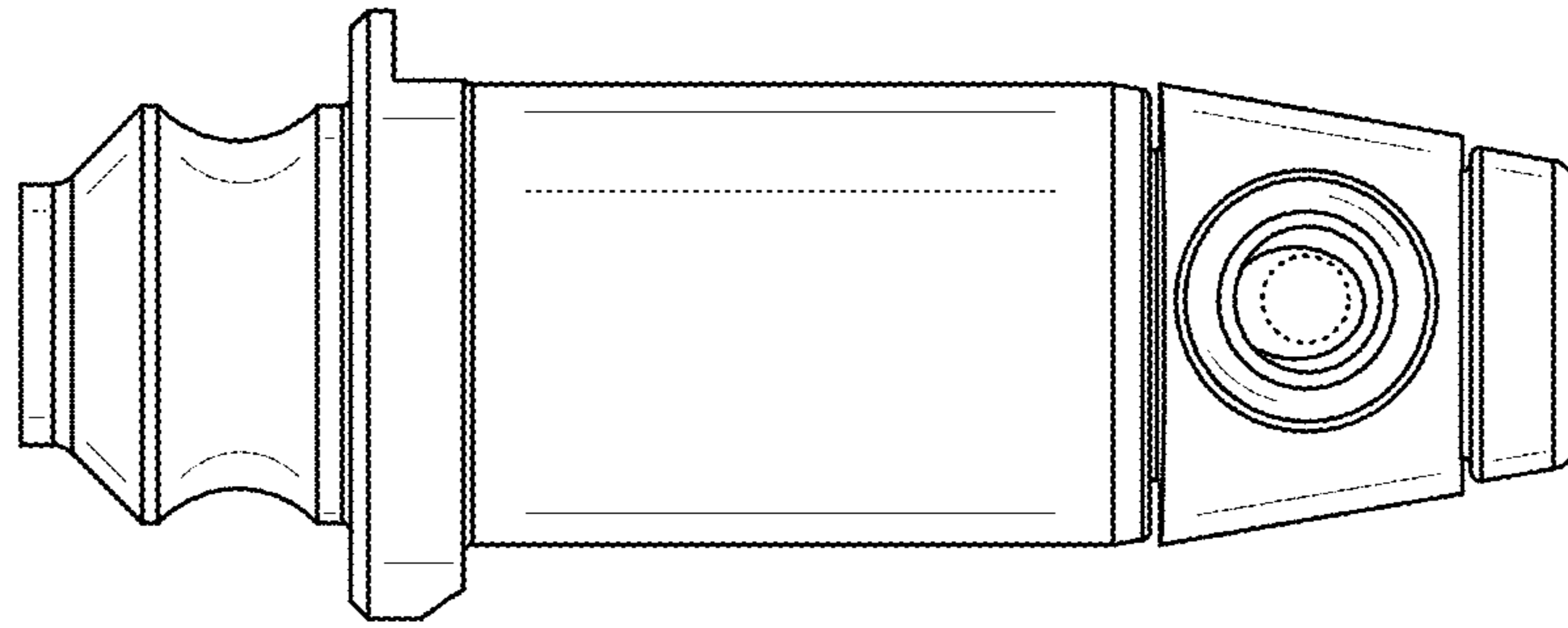


Fig. 4

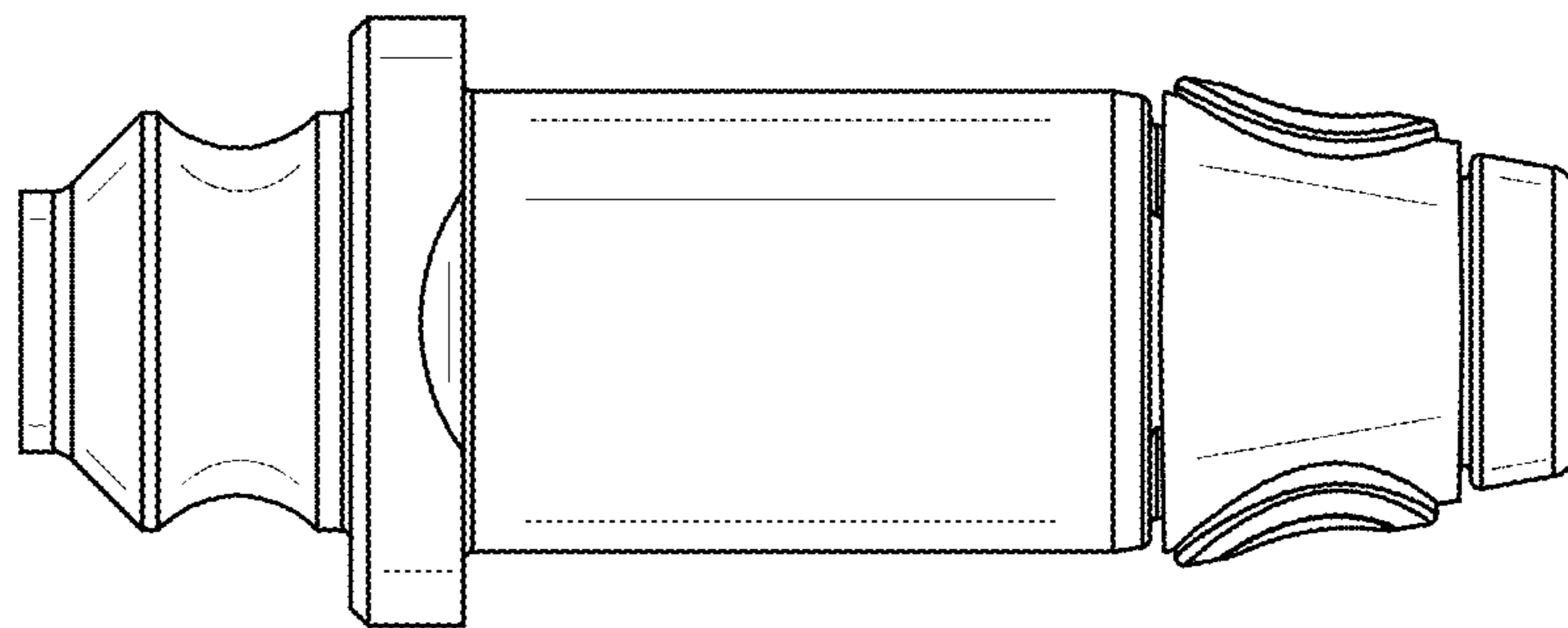


Fig. 5

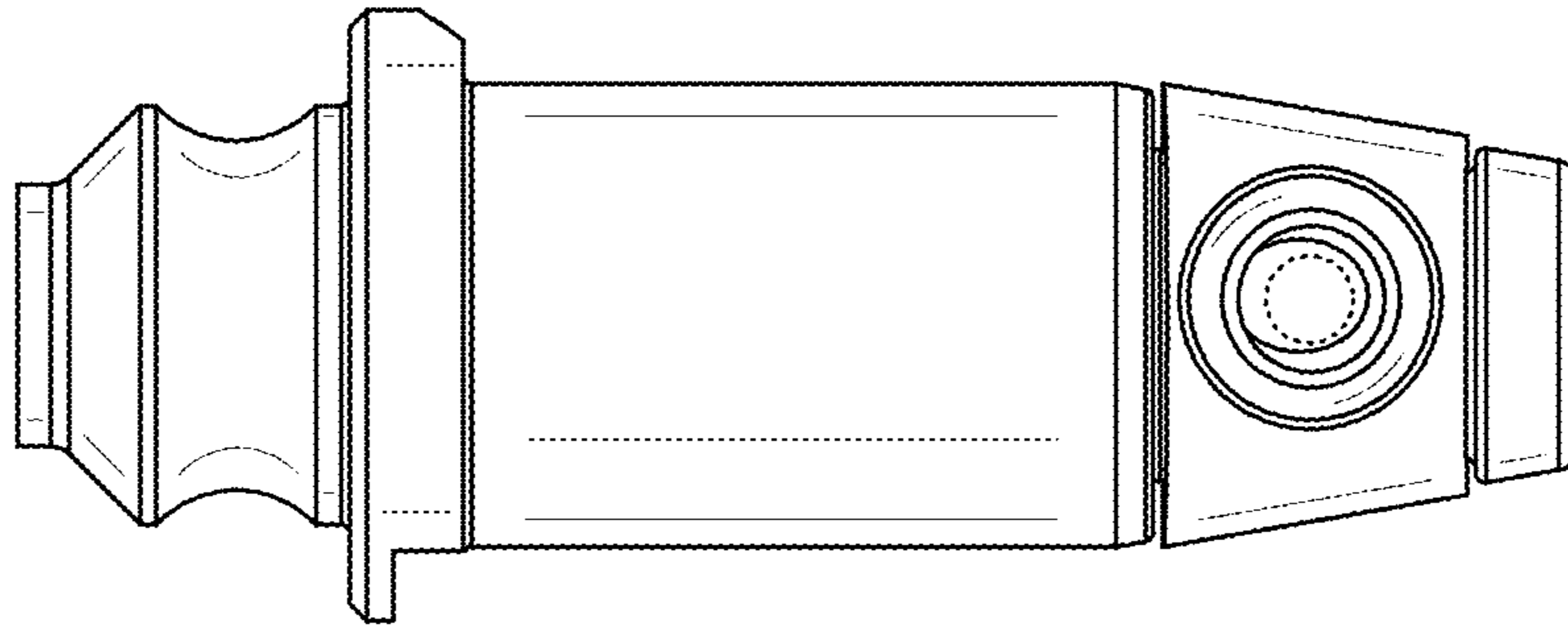


Fig. 6

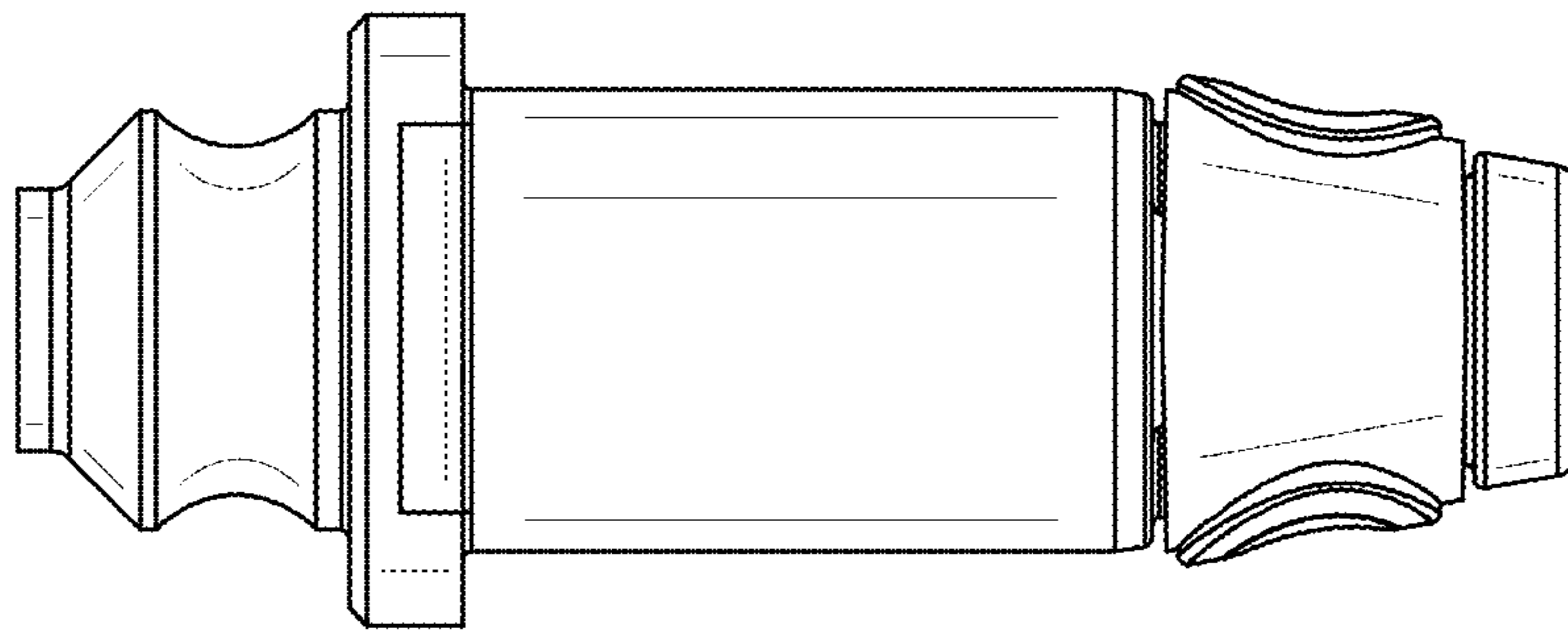


Fig. 7

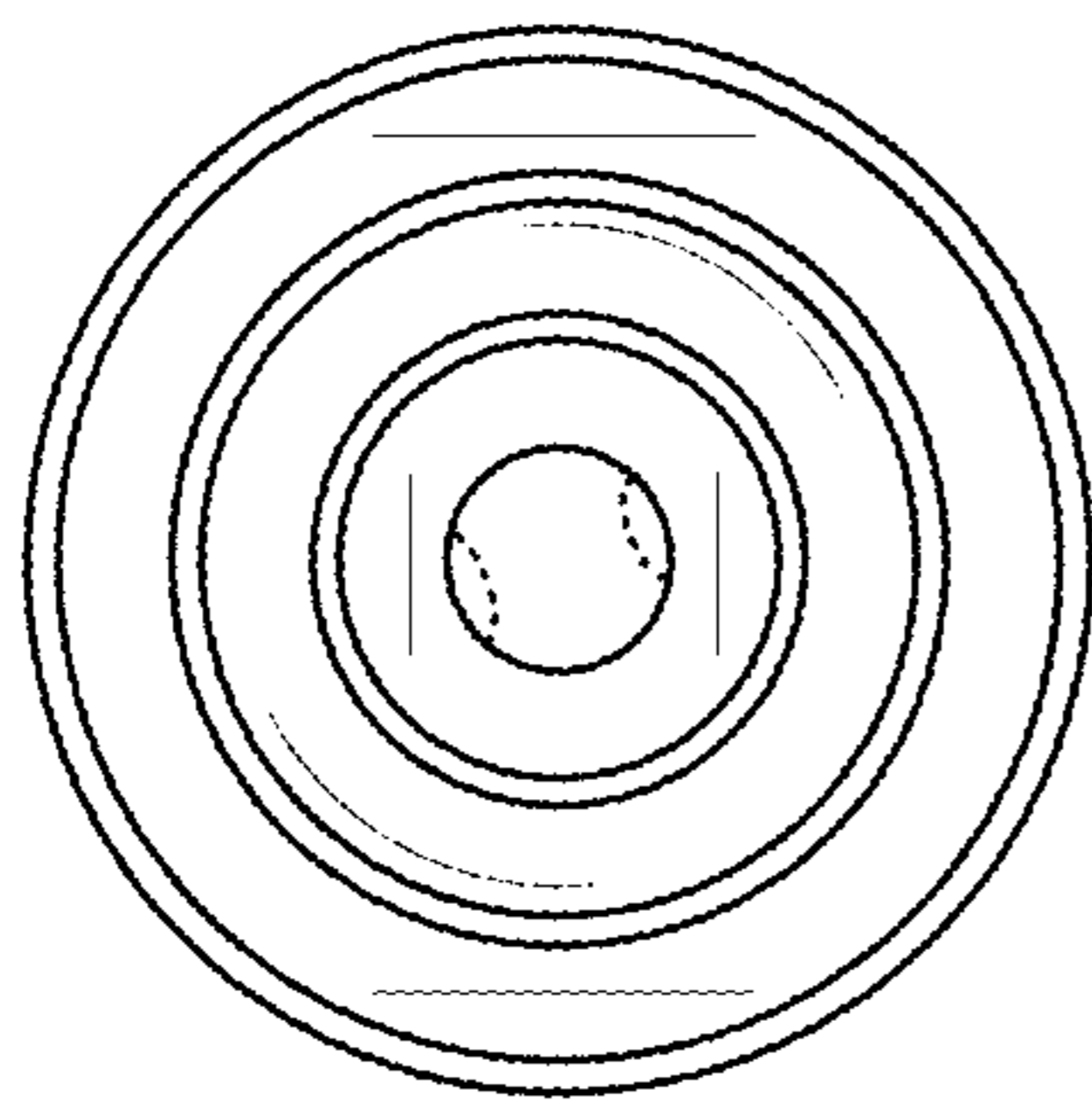


Fig. 8

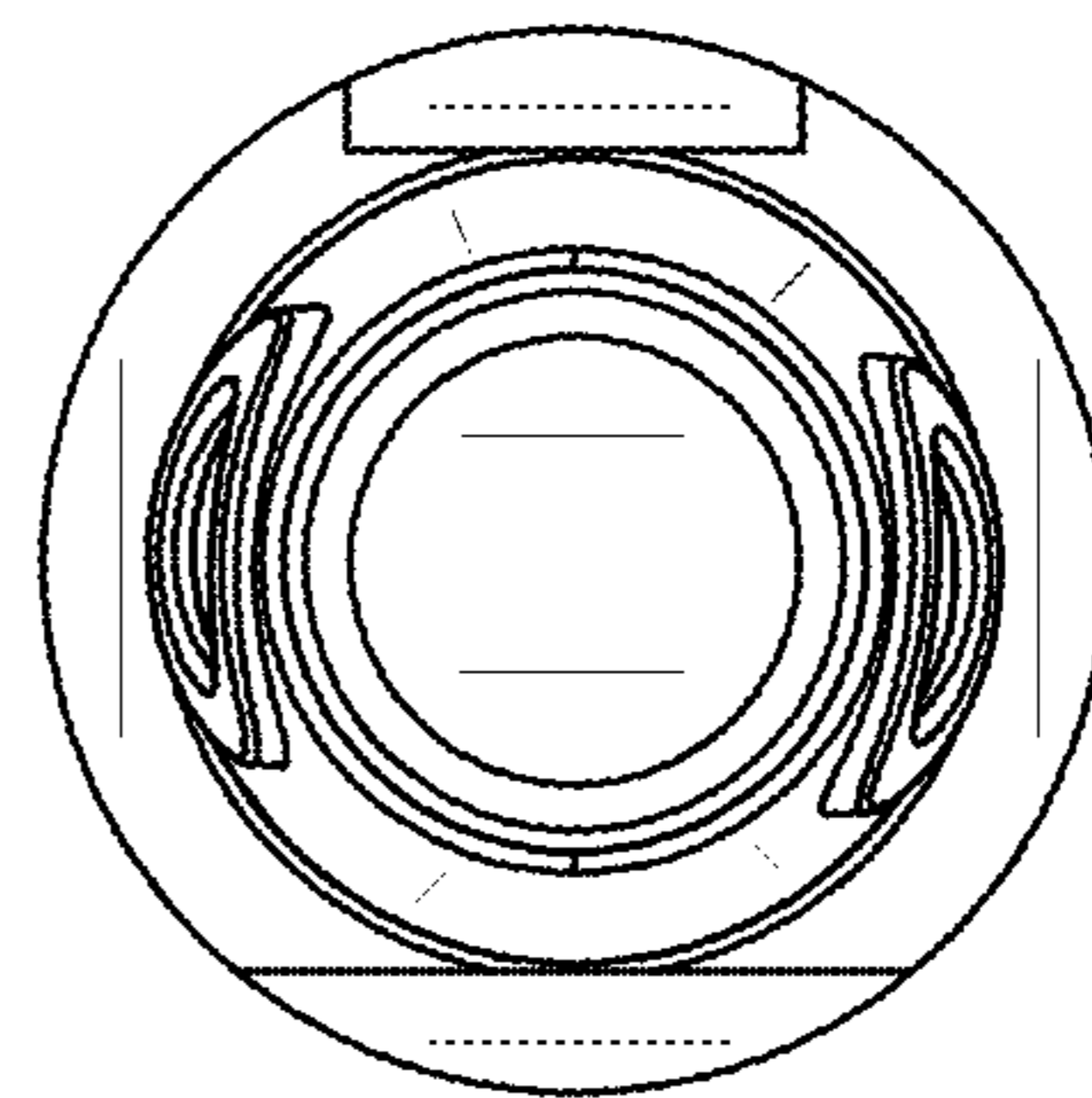


Fig. 9