



US00D959604S

(12) **United States Design Patent** (10) **Patent No.:** **US D959,604 S**
Attila et al. (45) **Date of Patent:** **** Aug. 2, 2022**

(54) **SPA CIRCULATING JET UNIT** D930,721 S * 9/2021 Kremerman D15/138
D933,776 S * 10/2021 Blum D23/213
(71) Applicant: **Wellis USA Inc.**, Miami, FL (US) D937,383 S * 11/2021 Thibodeau B29C 49/60
D23/213
(72) Inventors: **Szomor Attila**, Inárcs (HU); **Lakatos** 2005/0262627 A1* 12/2005 Jyue Chen A61H 33/027
József, Inárcs (HU); **Szmoleniczki** 4/541.6
Árpád, Kiskunlacháza (HU) 2008/0182505 A1* 7/2008 Oosterhuis F24F 13/06
454/290
(73) Assignee: **Wellis USA Inc.**, Miami, FL (US) 2008/0196153 A1* 8/2008 Walker A61H 33/6063
4/541.6
(**) Term: **15 Years** (Continued)

(21) Appl. No.: **29/763,367**

(22) Filed: **Dec. 22, 2020**

(30) **Foreign Application Priority Data**

Jun. 25, 2020 (EM) 008020366-0007
Jun. 25, 2020 (EM) 008020366-0008

(51) **LOC (13) Cl.** **23-01**

(52) **U.S. Cl.**
USPC **D23/213**

(58) **Field of Classification Search**
USPC D23/213, 214, 215, 223, 224, 226, 229,
D23/230; D15/138; D24/201-204
CPC A61H 9/0021; A61H 33/00; B05B 1/00;
B05B 1/14; B05B 1/185; B05B 1/08;
B05B 1/02; B05B 1/26; B05B 12/002;
B05B 1/18; B05B 9/01
See application file for complete search history.

(56) **References Cited**

U.S. PATENT DOCUMENTS

D319,295 S * 8/1991 Ohaus D23/261
D428,155 S * 7/2000 Chalberg D24/204
D757,891 S * 5/2016 Walker D23/213
D757,892 S * 5/2016 Walker D23/213
D780,319 S * 2/2017 Johnson D24/201
D846,008 S * 4/2019 Geldenhuys D15/138
D906,478 S * 12/2020 Stein E03C 1/08
D23/213

OTHER PUBLICATIONS

Kohler K1001384WH Suction Cover Service Kit, White, Sep. 16, 2011, amazon.ca, Feb. 22, 2022, URL: <https://www.amazon.ca/Kohler-K1001384WH-Suction-Cover-Service/dp/B0018T431E/> (Year: 2011).*

(Continued)

Primary Examiner — Keith J Wilson
(74) *Attorney, Agent, or Firm* — Wood Herron & Evans LLP

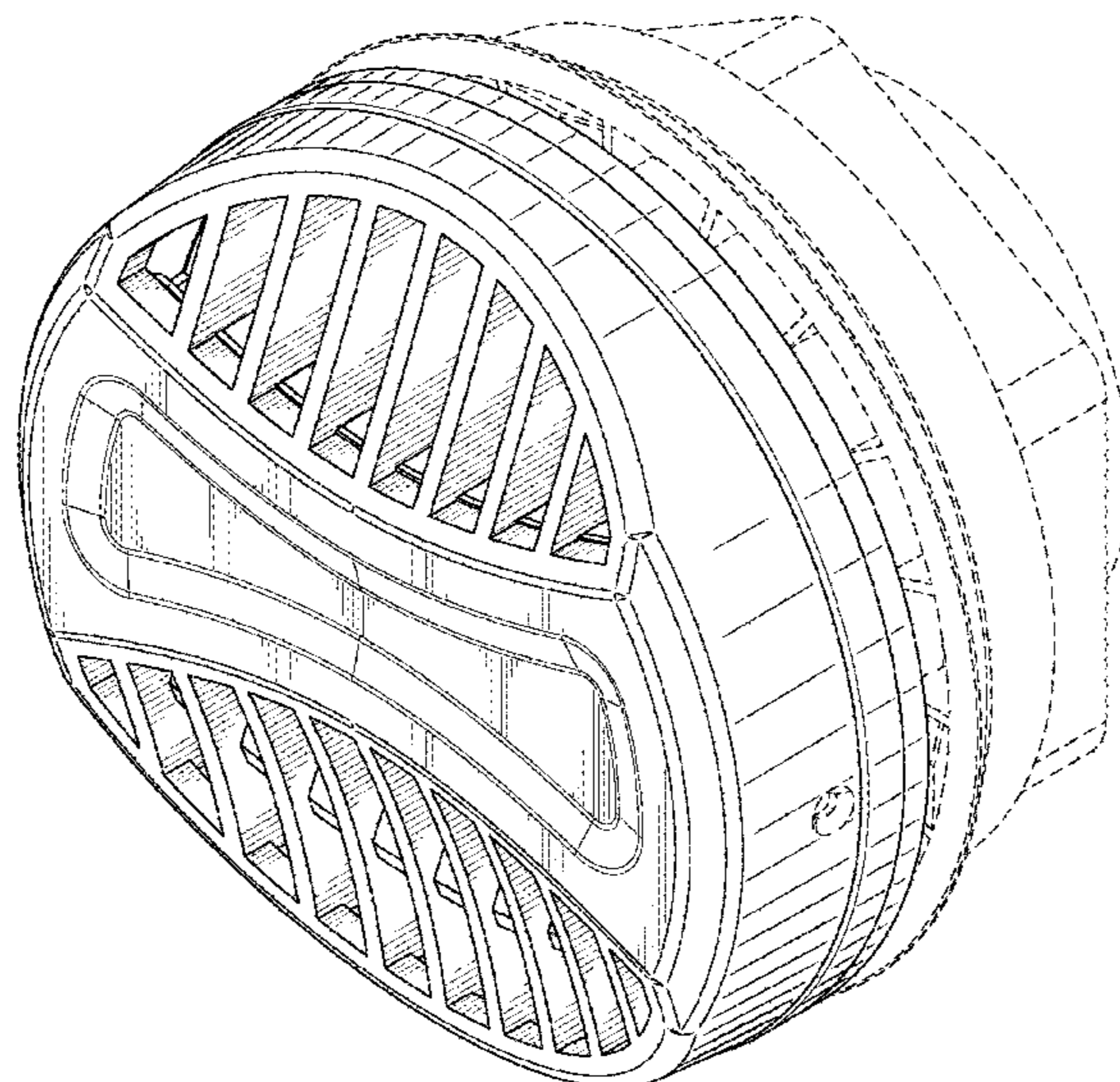
(57) **CLAIM**

The ornamental design for a spa circulating jet unit, as shown and described.

DESCRIPTION

FIG. 1 is a front right top perspective view of a spa circulating jet unit according to the present invention. FIG. 2 is a front view thereof. FIG. 3 is a right side view thereof, the left side view being a mirror image thereof. FIG. 4 is a top view thereof. FIG. 5 is a bottom view thereof; and, FIG. 6 is a rear view thereof. The broken lines shown represent portions of a spa circulating jet unit and form no part of the claimed design.

1 Claim, 6 Drawing Sheets



(56)

References Cited

U.S. PATENT DOCUMENTS

2008/0276363 A1* 11/2008 Chen A61H 33/6063
4/541.6
2009/0193574 A1* 8/2009 Holtsnider A61H 33/6063
4/541.6

OTHER PUBLICATIONS

Balboa Gray Suction Cover with Screws, Oct. 12, 2019, amazon.ca, Feb. 22, 2022, URL: <https://www.amazon.ca/Balboa-Water-Group-Suction-Screws/dp/B01MYDVT9U> (Year: 2019).*

Hayward WGX1048E 8-Inch White Cover Replacement for Hayward Suction, Apr. 19, 2019, amazon.ca, Feb. 22, 2022, URL: <https://www.amazon.ca/Hayward-WGX1048E-8-Inch-Replacement-Suction/dp/B003HTWZSQ/> (Year: 2019).*

* cited by examiner

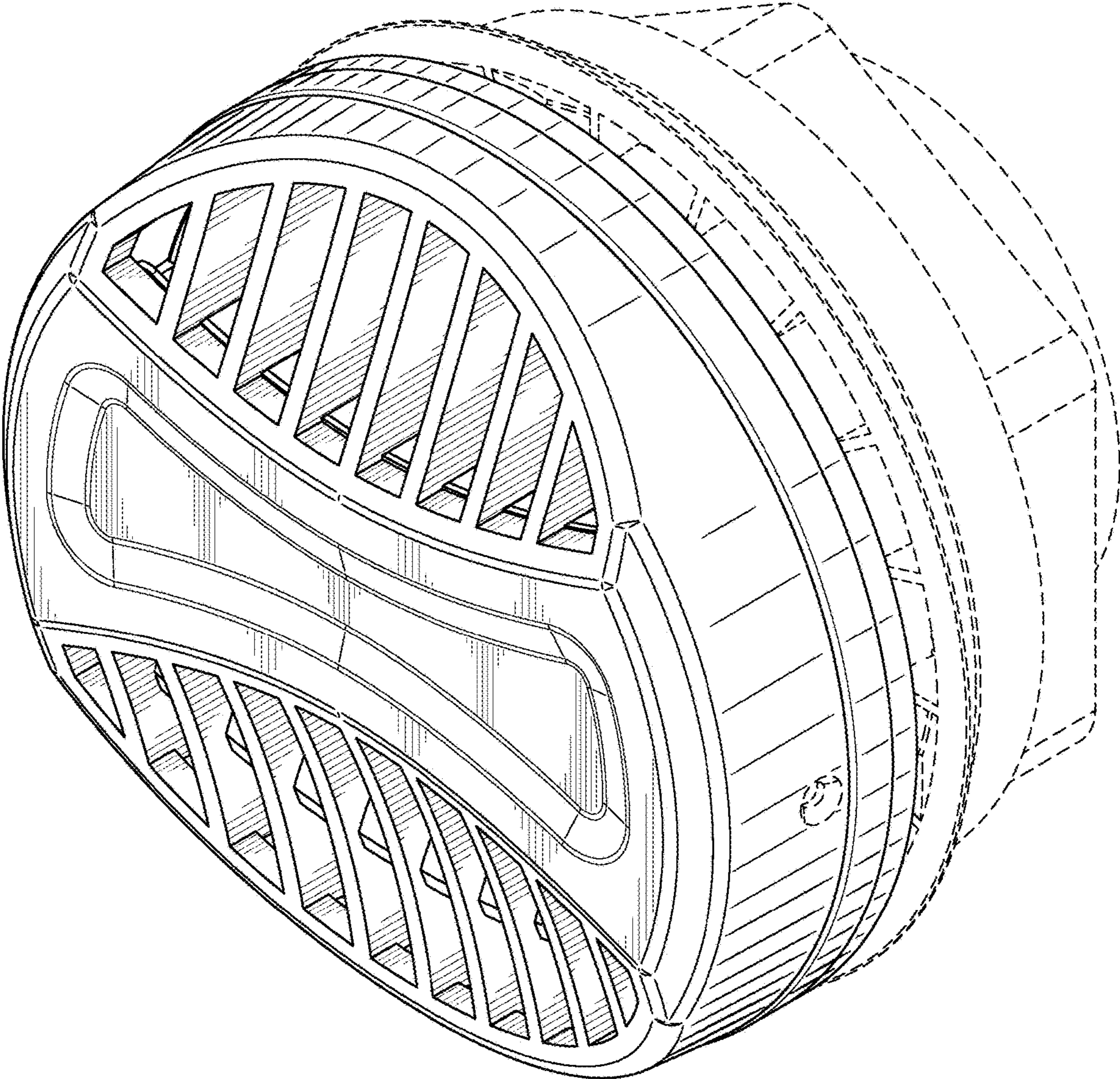


FIG. 1

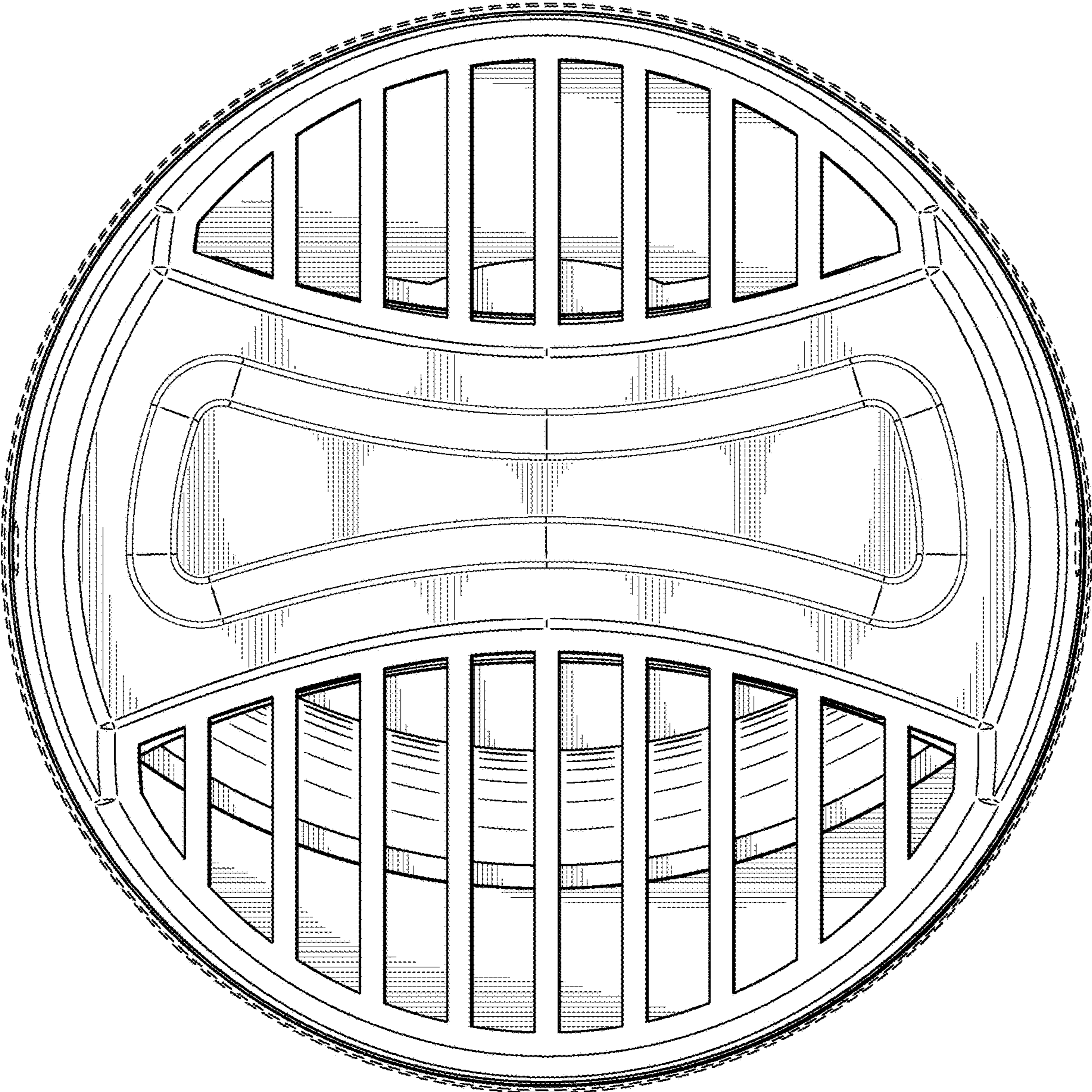


FIG. 2

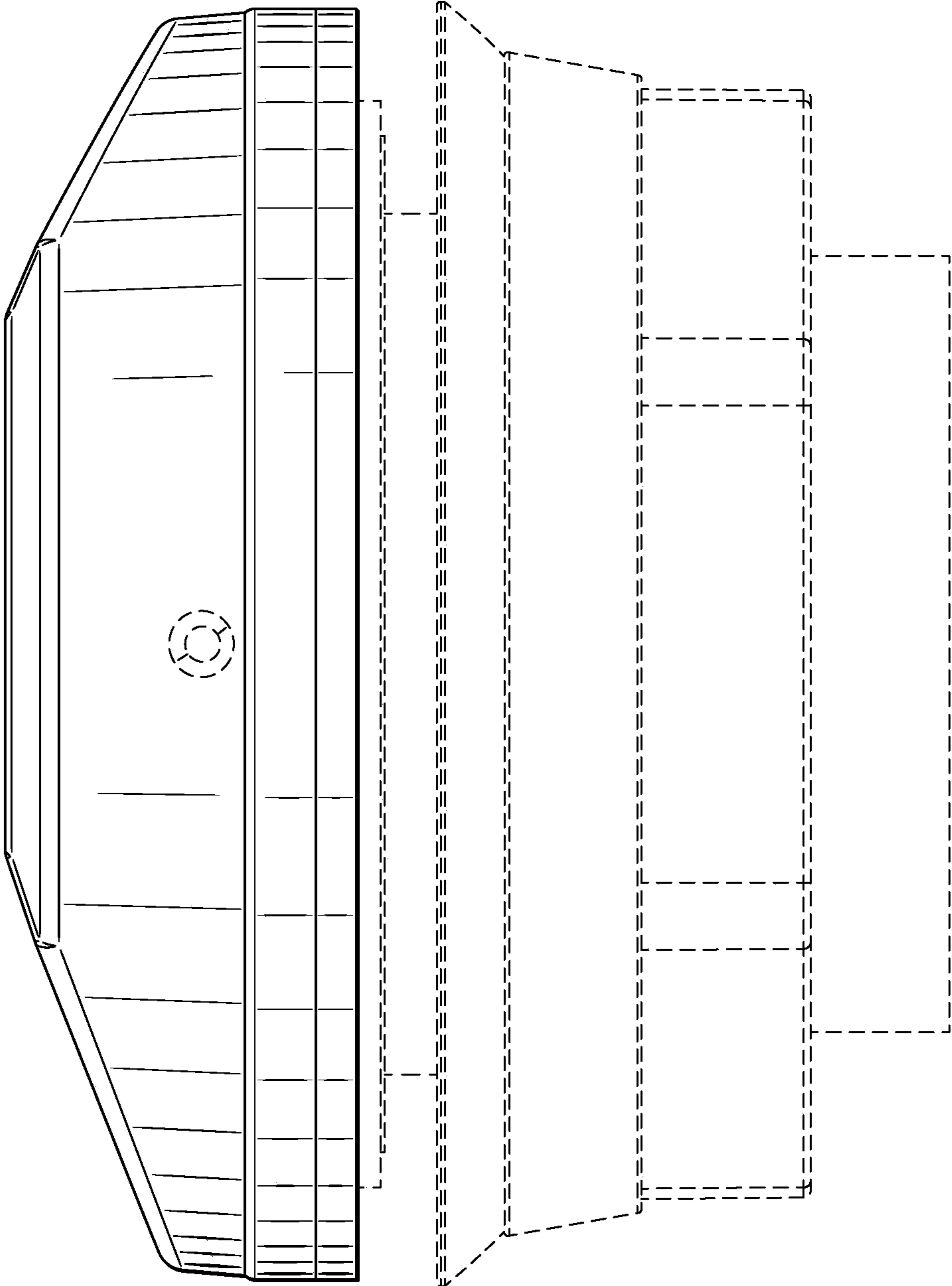


FIG. 3

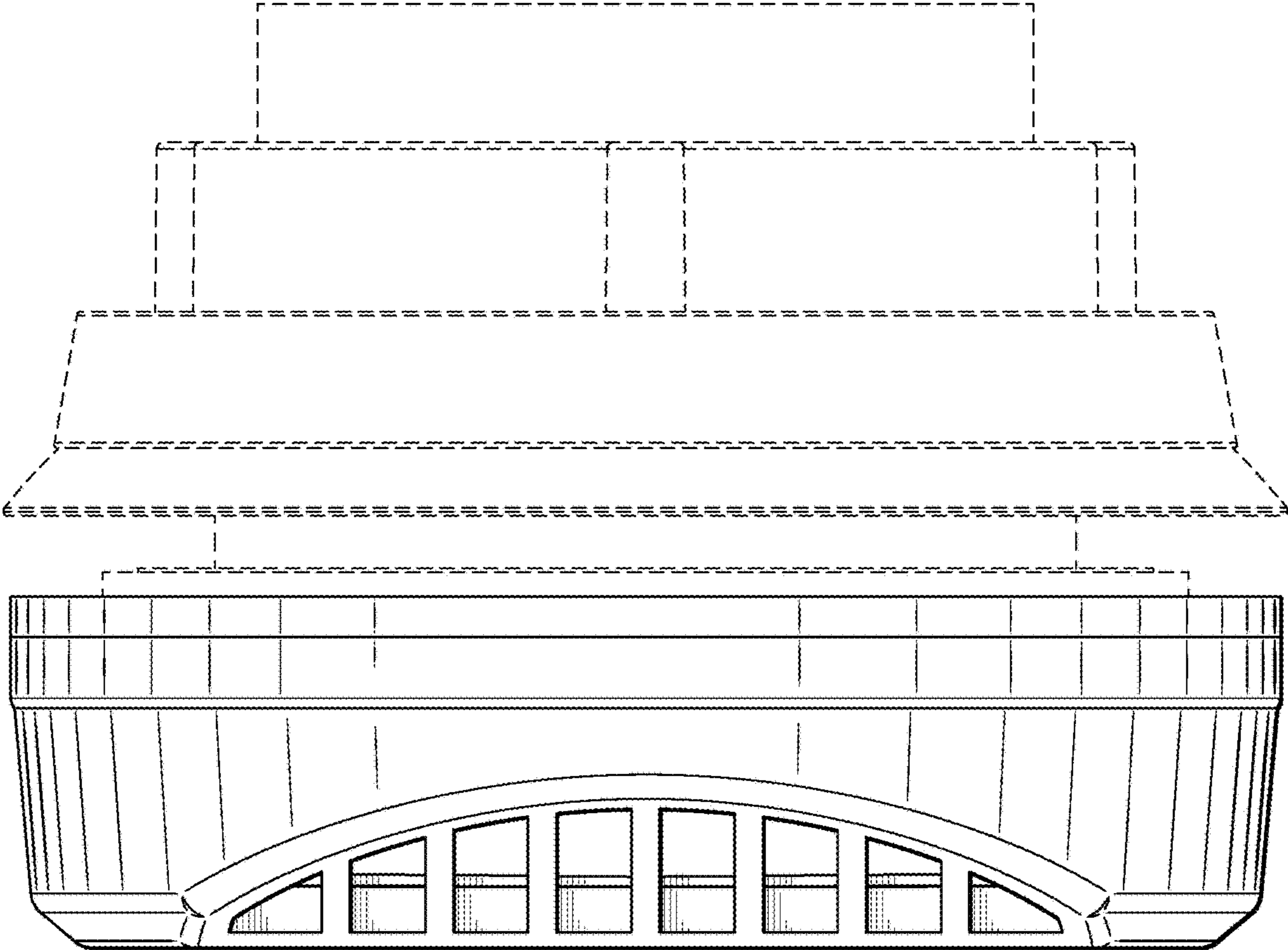


FIG. 4

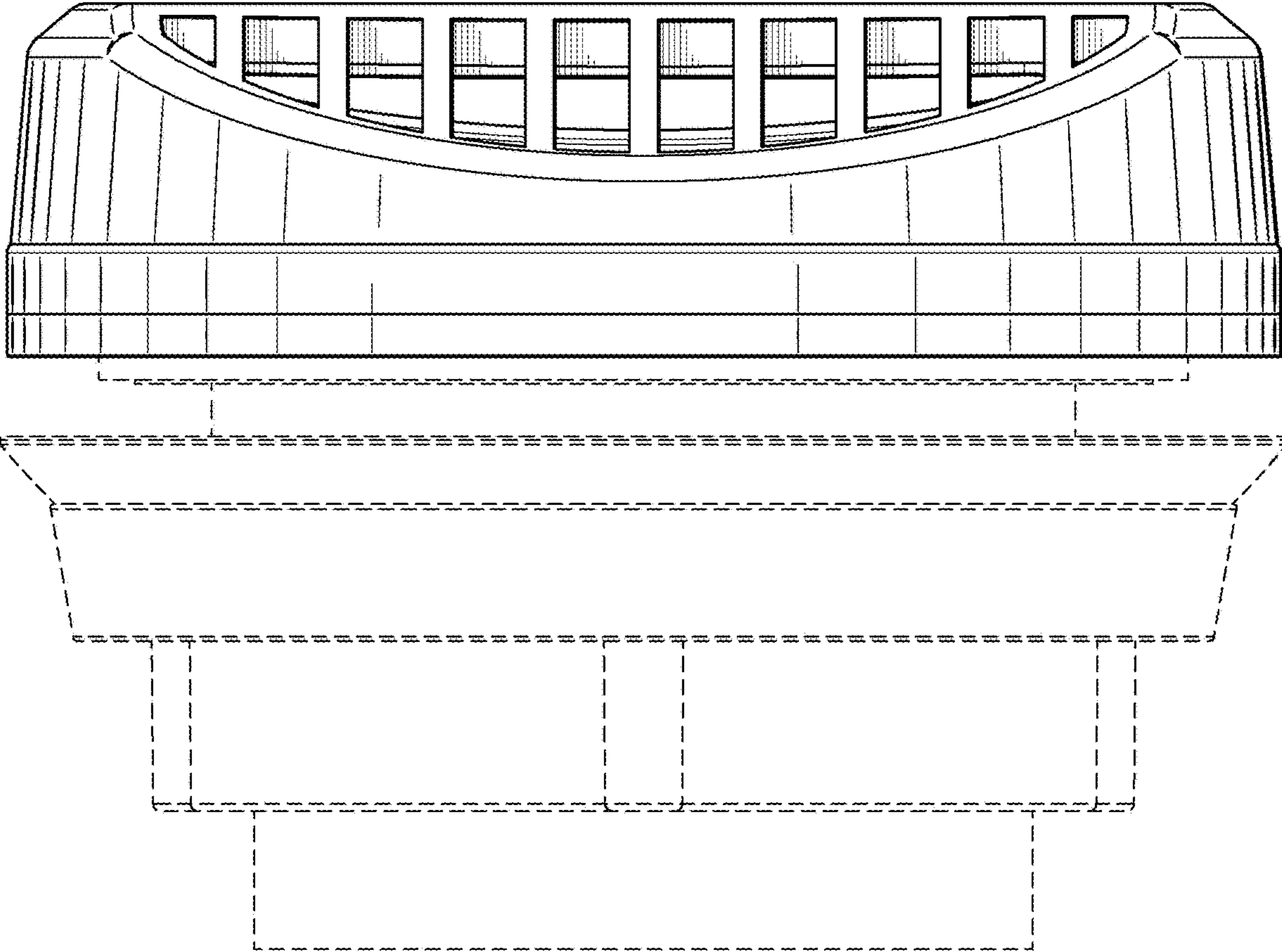


FIG. 5

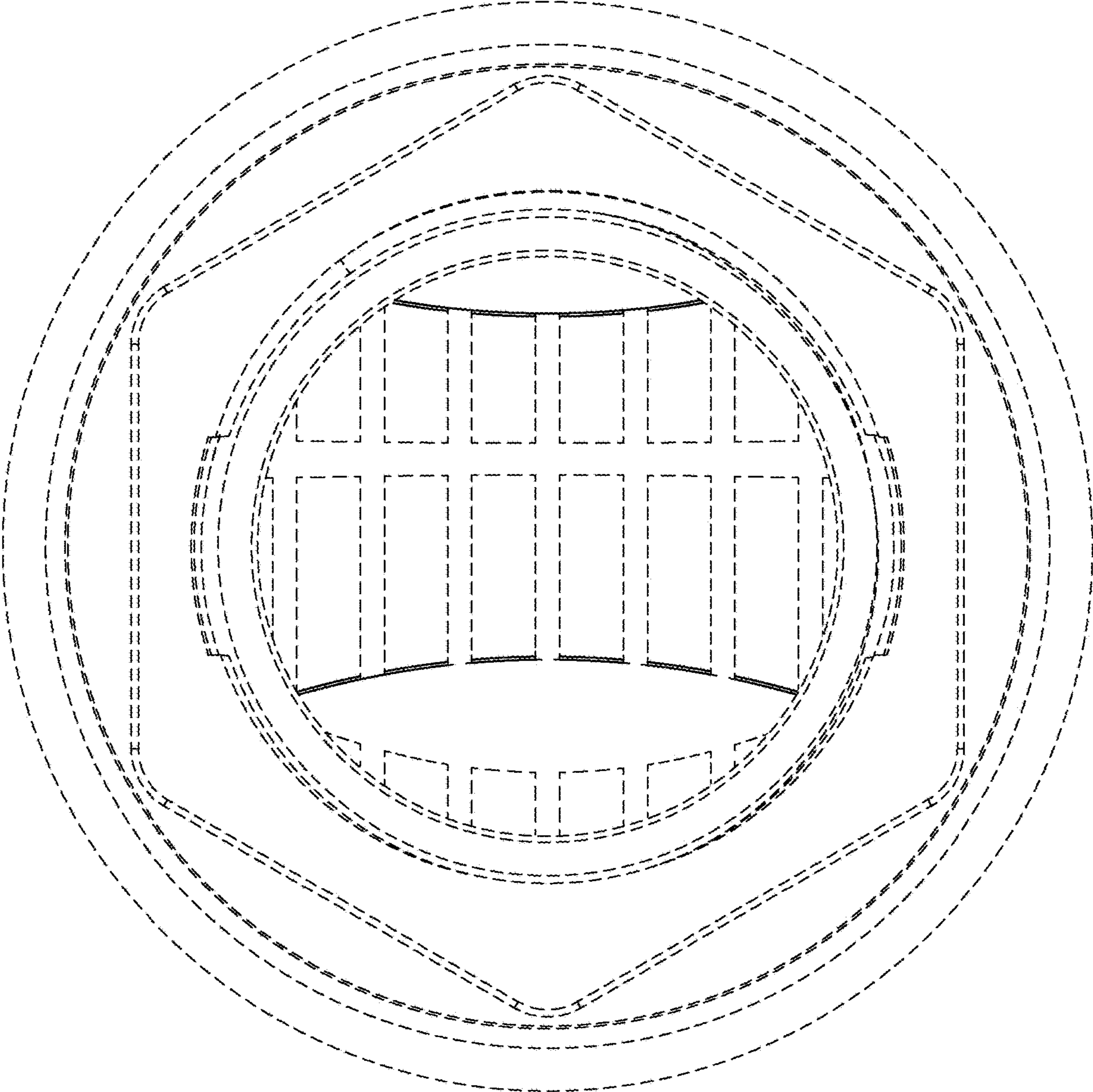


FIG. 6