



US00D959601S

(12) **United States Design Patent** (10) **Patent No.:** **US D959,601 S**
Gale (45) **Date of Patent:** **** Aug. 2, 2022**

(54) **PRECIPITATE INFUSION FILTER**
(71) Applicant: **Darren Gale**, Orange, MA (US)
(72) Inventor: **Darren Gale**, Orange, MA (US)
(**) Term: **15 Years**
(21) Appl. No.: **29/736,461**
(22) Filed: **May 30, 2020**
(51) **LOC (13) Cl.** **23-01**
(52) **U.S. Cl.**
USPC **D23/209**
(58) **Field of Classification Search**
USPC D7/300.1, 313; D14/228; D15/7;
D23/207-209, 213, 223, 233, 259-269,
D23/364-366; D24/108, 112, 129
CPC . F17C 1/00; F17C 5/06; A61M 11/02; A61M
11/041; A61L 9/00; A61L 9/03; A61L
9/12; A61L 9/122; A61L 2209/11; A61L
2209/14; A61L 2209/133; Y10S 261/17;
Y10S 261/88; Y10S 261/89; B01D 27/08;
B01D 35/02; B01D 35/30; B01D 35/005;
B01D 2201/302; B01D 46/10; B01D
46/2411; B01D 46/0005; C02F 1/42;
C02F 1/003

See application file for complete search history.

(56) **References Cited**

U.S. PATENT DOCUMENTS

283,103 A * 8/1883 Hartman B01D 46/2411
55/484
342,151 A 5/1886 Walls
395,291 A 12/1888 Muller
739,249 A 9/1903 Woods
1,572,888 A * 2/1926 Danhardt B01D 46/2411
D188,688 S 8/1960 Sicard et al.
D221,850 S 9/1971 Anderson
D230,735 S 3/1974 Lents

D234,285 S 2/1975 Wickenberg
D235,183 S 5/1975 Werner et al.
D238,875 S 2/1976 Berry
4,021,342 A * 5/1977 Schacht B01D 35/30
D24/111
D246,109 S 10/1977 Rosaen
D251,601 S 4/1979 Kaykendall
D254,145 S 2/1980 Wilcock
D255,313 S 6/1980 Elkerbout
D304,612 S * 11/1989 Stackhouse D23/365
D497,202 S 10/2004 Carter et al.
D613,819 S 4/2010 DiTullio
7,837,869 B2 11/2010 Peters et al.
8,216,479 B2 7/2012 Lambert et al.
8,287,726 B2 10/2012 Williams et al.
D690,407 S 9/2013 Williams et al.
D733,293 S * 6/2015 Rogers D24/129
D794,082 S 8/2017 Krull
D804,004 S 11/2017 Madiera et al.
D848,602 S * 5/2019 Yokoyama D24/129
10,626,592 B2 4/2020 Dubois et al.
D884,866 S 5/2020 Knight et al.
D896,341 S * 9/2020 Zou D23/209

(Continued)

Primary Examiner — Angela J Lee
Assistant Examiner — David OBrien

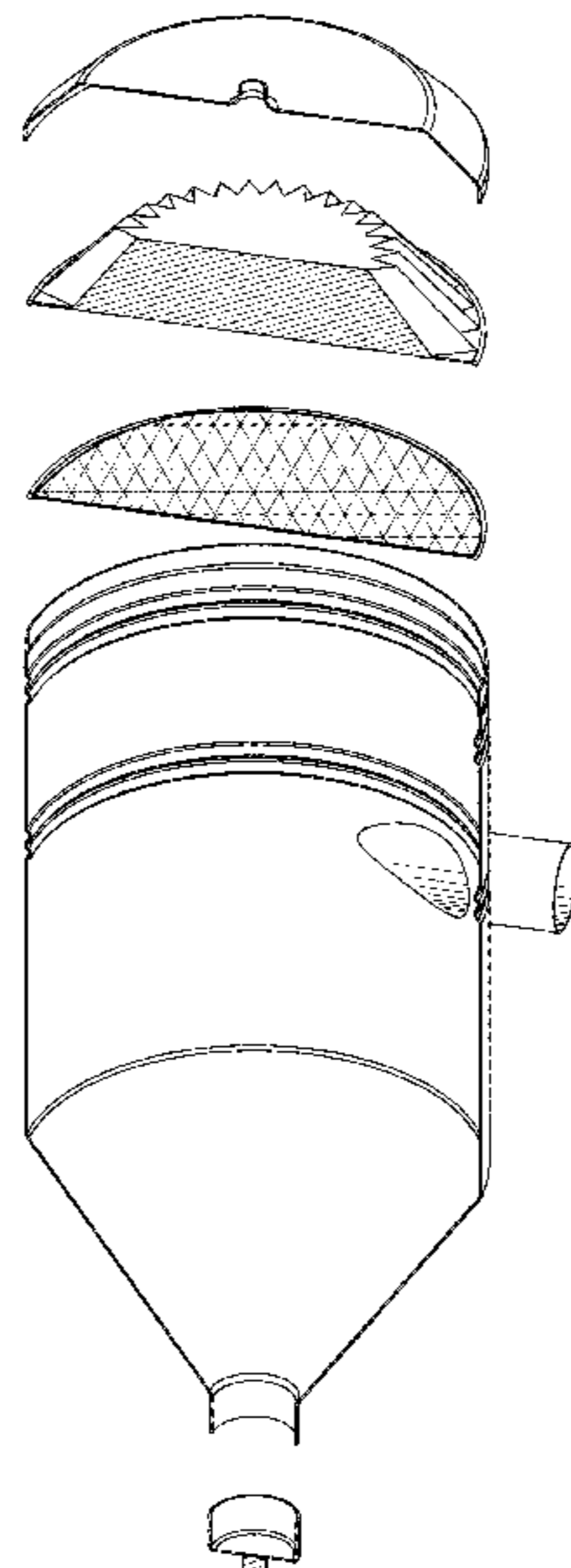
(57) **CLAIM**

I claim the ornamental design for a precipitate infusion filter, as shown and described.

DESCRIPTION

FIG. 1 is an exploded isometric section view of the precipitate infusion filter showing my unique design, taken at line 1-1 as shown in FIG. 3;
FIG. 2 is an orthographic front section view thereof taken at line 2-2 as shown in FIG. 3;
FIG. 3 is an orthographic top view thereof;
FIG. 4 is an orthographic front view thereof;
FIG. 5 is an orthographic bottom view thereof; and,
FIG. 6 is an orthographic right side view thereof.

1 Claim, 4 Drawing Sheets



(56)

References Cited

U.S. PATENT DOCUMENTS

D932,586 S *	10/2021	Du	D23/209
D945,572 S *	3/2022	Downie	D23/209
D947,316 S *	3/2022	Downie	D23/262
2002/0127137 A1 *	9/2002	Scepanski	A61L 9/12 422/4

* cited by examiner

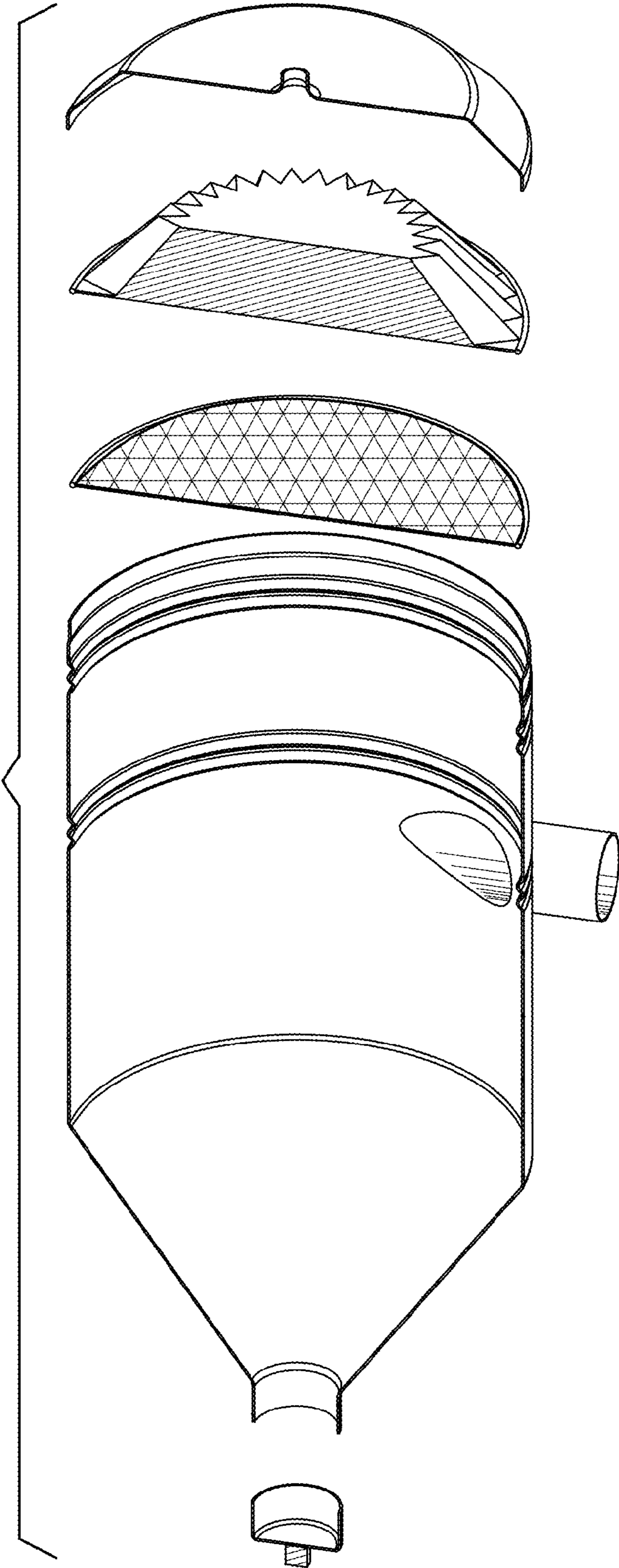


FIG. 1

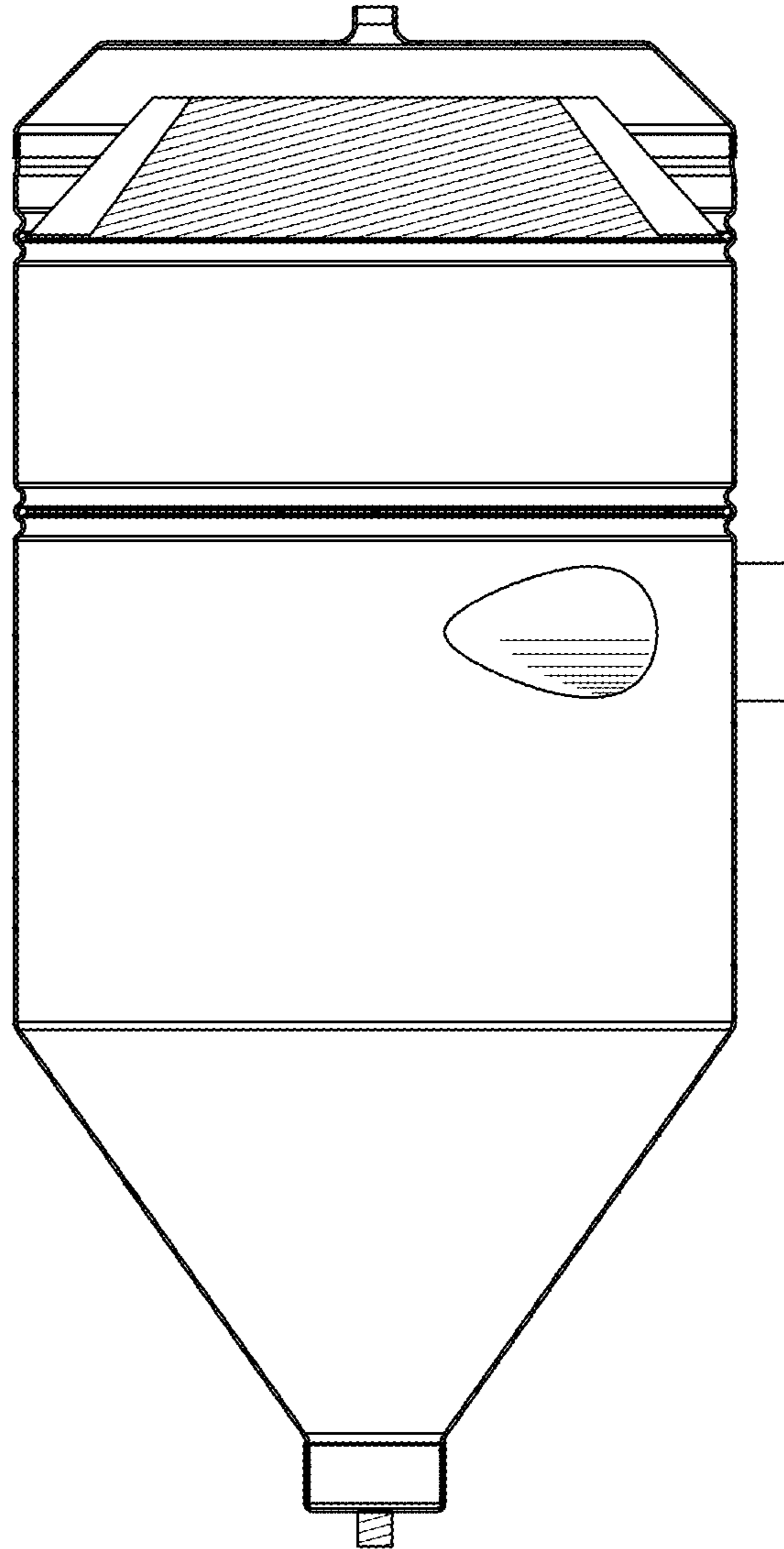


FIG. 2

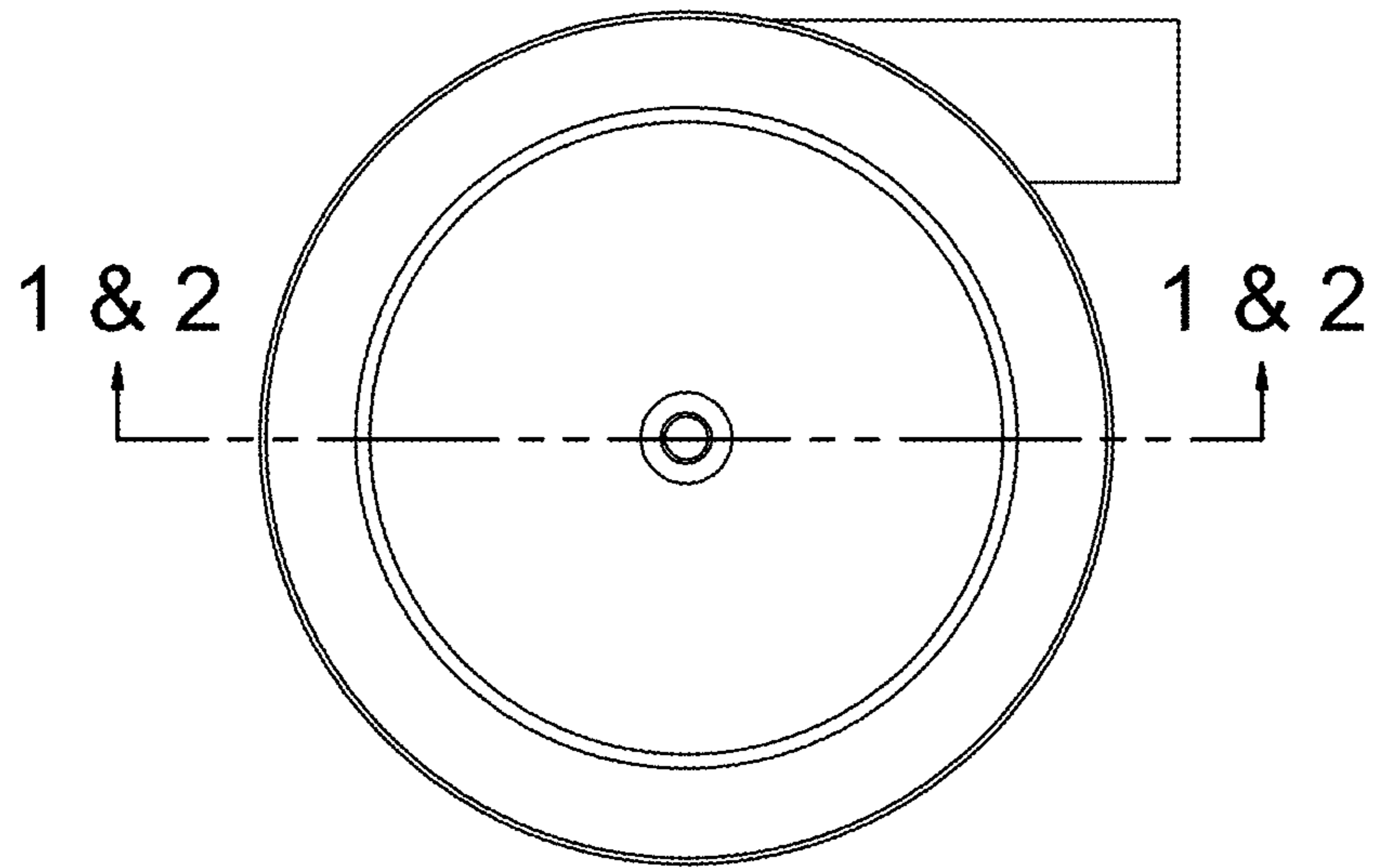


FIG. 3

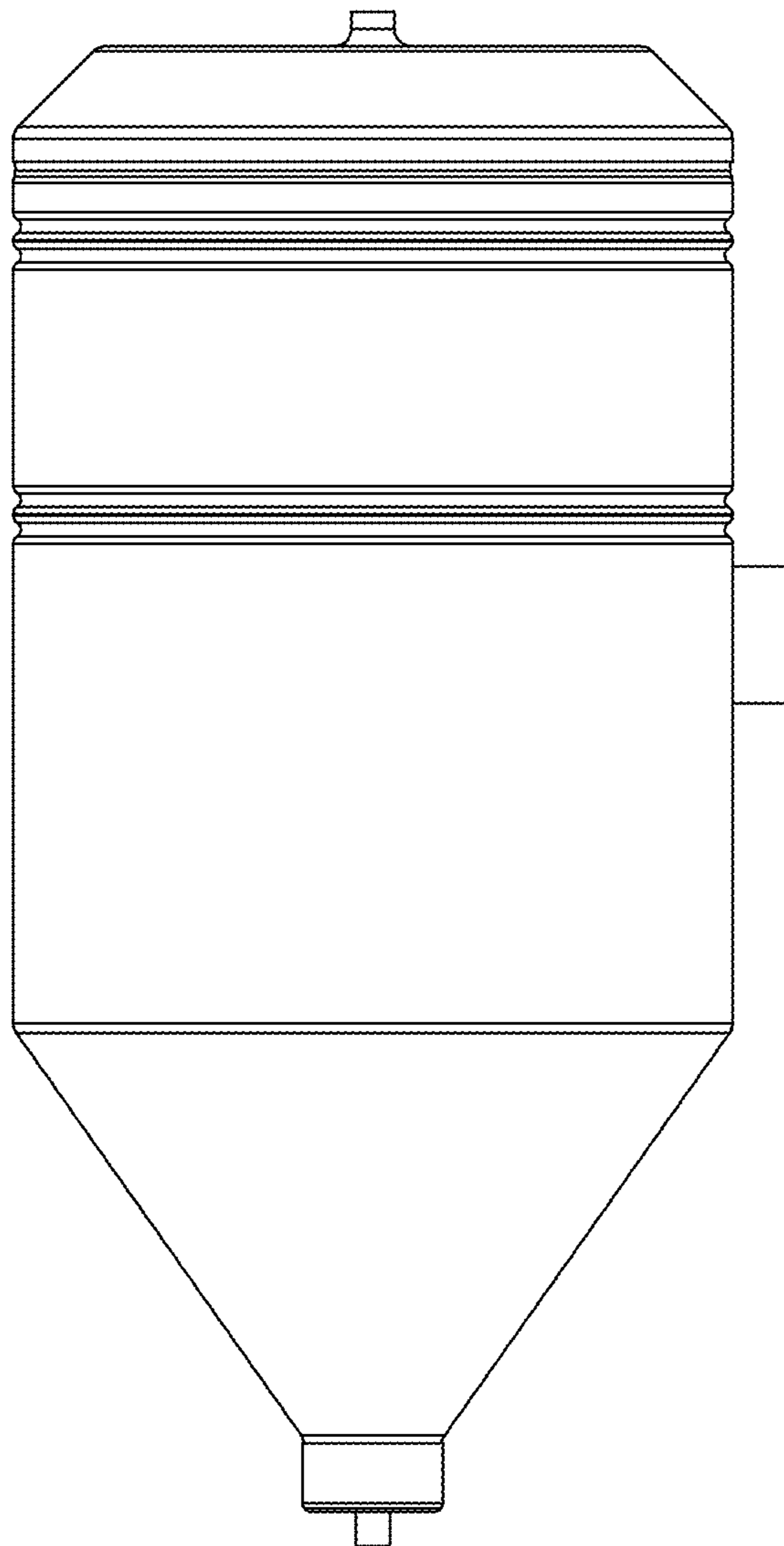


FIG. 4

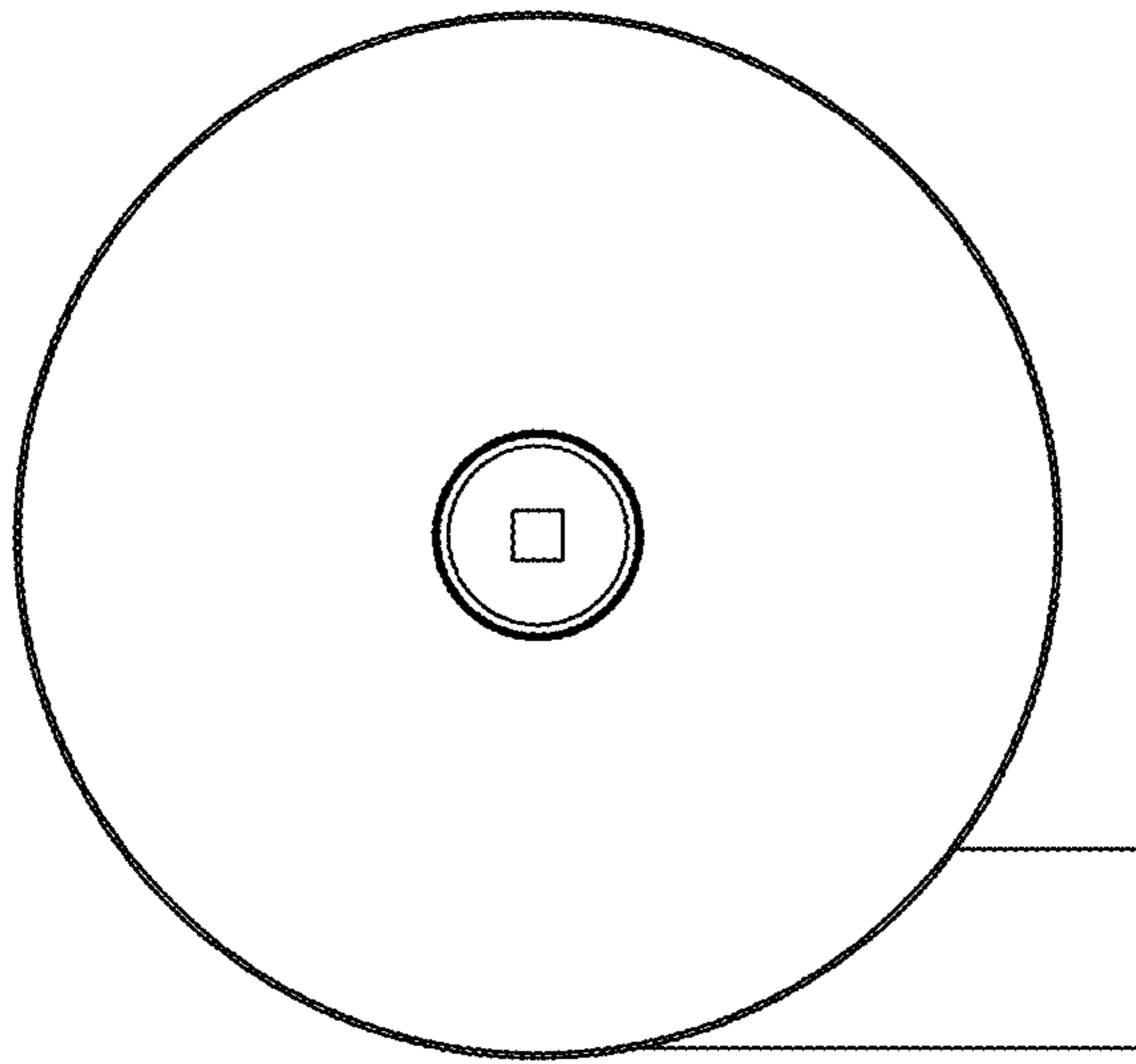


FIG. 5

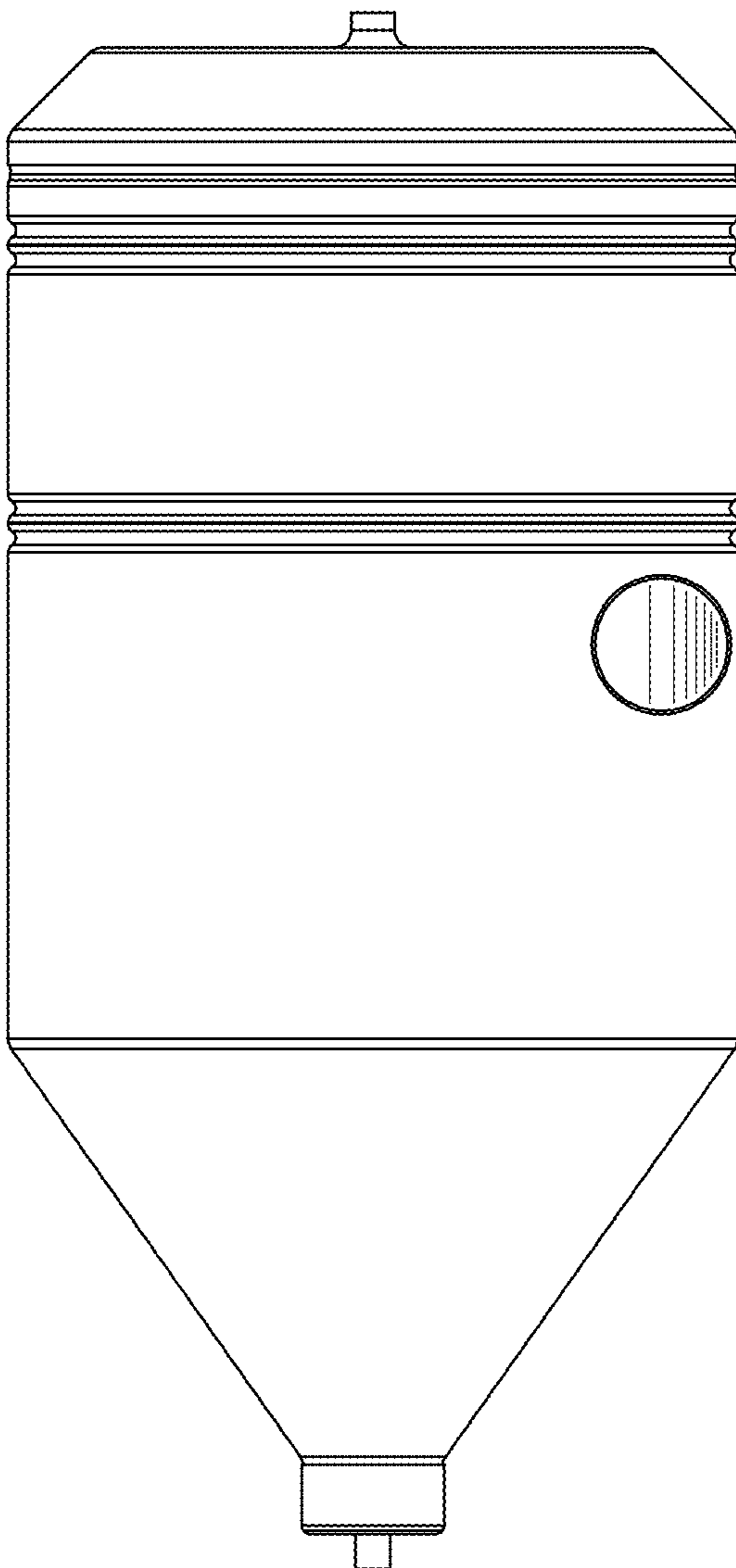


FIG. 6