



US00D959600S

(12) **United States Design Patent** (10) **Patent No.:** **US D959,600 S**
Reinecker (45) **Date of Patent:** **** Aug. 2, 2022**

(54) **HAND SHOWER**

(71) Applicant: **AS America, Inc.**, Piscataway, NJ (US)

(72) Inventor: **Greg Reinecker**, Brooklyn, NY (US)

(73) Assignee: **AS America, Inc.**, Piscataway, NJ (US)

(**) Term: **15 Years**

(21) Appl. No.: **29/727,280**

(22) Filed: **Mar. 10, 2020**

(51) **LOC (13) Cl.** **23-01**

(52) **U.S. Cl.**
USPC **D23/209**

(58) **Field of Classification Search**
USPC D23/209, 213, 223, 225, 226, 228, 238,
D23/239-243, 254
CPC E03C 2001/0414; E03C 2001/0415; E03C
1/0404; E03C 1/0405; E03C 1/06; E03C
1/066

See application file for complete search history.

(56) **References Cited**

U.S. PATENT DOCUMENTS

D475,437 S *	6/2003	Dimitriadis	D23/242
6,611,971 B1 *	9/2003	Antoniello	E03C 1/0408 4/570
D559,949 S *	1/2008	Bickler	D23/228
D564,625 S *	3/2008	Bickler	D23/228
D638,515 S *	5/2011	Farley	D23/209
D689,983 S *	9/2013	Wilson	D23/304
D699,325 S *	2/2014	Bailey	D23/249
D705,900 S *	5/2014	Bailey	D23/228
D739,920 S *	9/2015	Bahler	D23/242
9,506,230 B2 *	11/2016	Schulte	E03C 1/06
D844,755 S *	4/2019	Boal	D23/254
10,245,610 B2 *	4/2019	Johnson	E03C 1/0409
D884,122 S *	5/2020	Seum	D23/228
D884,834 S *	5/2020	Breda	D23/228
10,851,528 B2 *	12/2020	Wang	B05B 1/185

D943,709 S *	2/2022	Cocks	D23/223
D945,569 S *	3/2022	Reinecker	D23/254
2013/0248017 A1 *	9/2013	Neagoe	E03C 1/0408 137/359
2013/0269793 A1 *	10/2013	Tsai	E03C 1/066 137/343
2013/0283524 A1 *	10/2013	Schulte	E03C 1/06 4/695

(Continued)

OTHER PUBLICATIONS

American Standard Spectra Filtered Hand Shower Rail System, Aug. 30, 2021, Amazon, site visited Mar. 14, 2022: <https://www.amazon.com/dp/B09DZ33GQ1/> (Year: 2021).*

(Continued)

Primary Examiner — Jack Reickel
Assistant Examiner — Bobby W Jones, II
(74) *Attorney, Agent, or Firm* — Tyler A. Stevenson;
Anna-Lisa L. Gallo

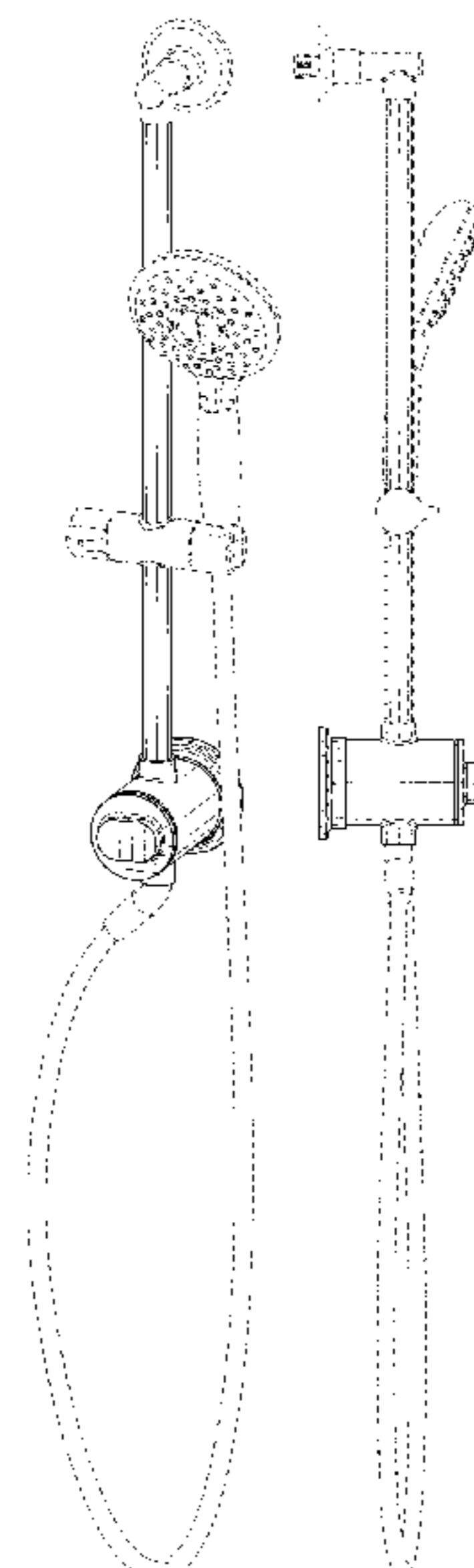
(57) **CLAIM**

The ornamental design for a hand shower, as shown and described.

DESCRIPTION

FIG. 1 is a front, right side perspective view of a hand shower showing my new design;
FIG. 2 is a front view thereof;
FIG. 3 is a rear view thereof;
FIG. 4 is a left side view thereof;
FIG. 5 is a right side view thereof;
FIG. 6 is a top view thereof; and,
FIG. 7 is a bottom view thereof.
Broken lines immediately adjacent shaded areas represent bounds of the claimed design while other broken lines are directed to environment and are for illustrative purposes only; broken lines form no part of the claimed design.

1 Claim, 4 Drawing Sheets



(56)

References Cited

U.S. PATENT DOCUMENTS

2019/0345700 A1* 11/2019 Davidson E03C 1/066
2019/0390448 A1* 12/2019 Wang B05B 15/628
2020/0149255 A1* 5/2020 Zhao E03C 1/063

OTHER PUBLICATIONS

Rain Shower Head with Handheld, Jun. 19, 2018, Amazon, site visited Mar. 14, 2022: <https://www.amazon.com/dp/B07DVN8MV5/> (Year: 2018).*

Polaris 3 Retrofit Rain Shower System, May 7, 2019, Amazon, site visited Mar. 14, 2022: <https://www.amazon.com/dp/B07RL4V22W/> (Year: 2019).*

* cited by examiner

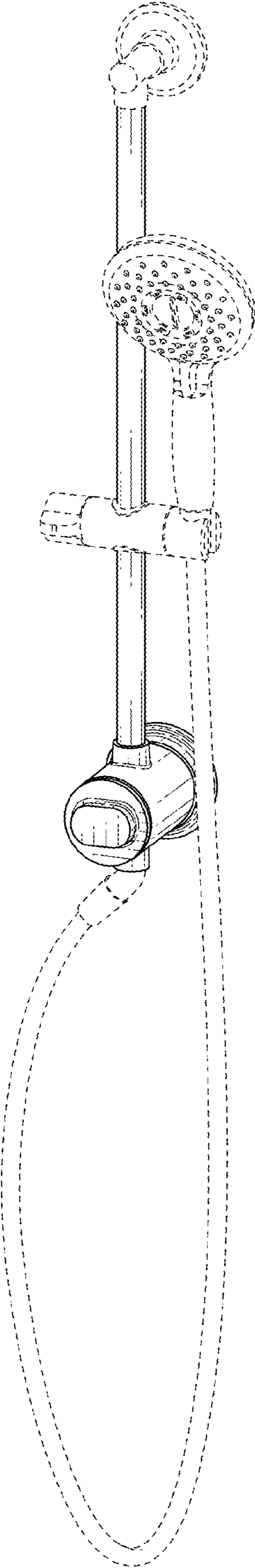


FIG. 1

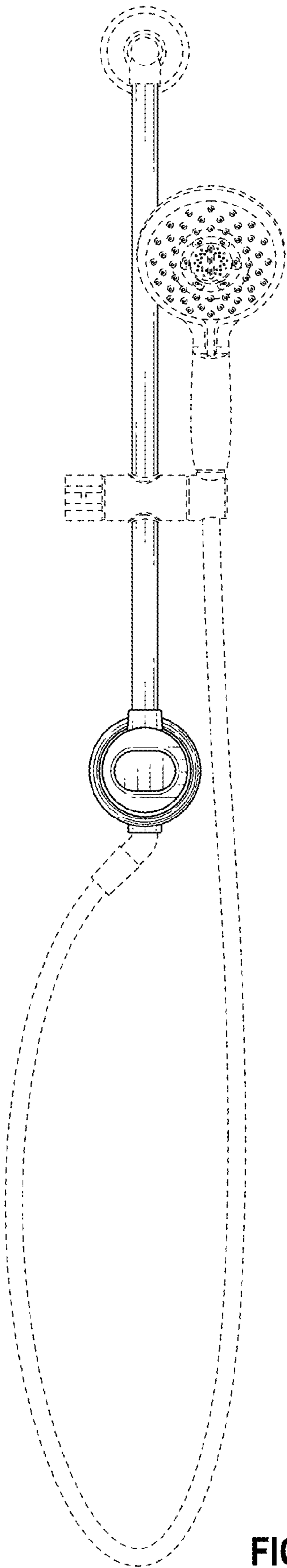


FIG. 2

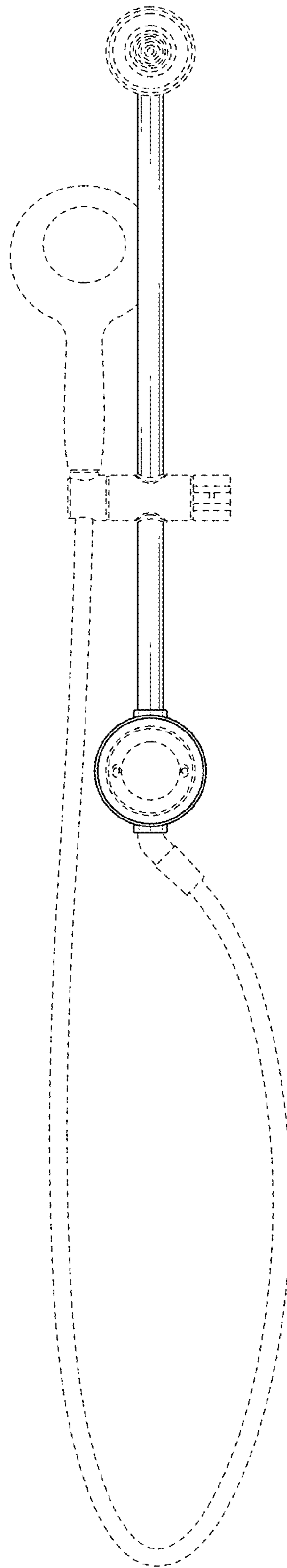


FIG. 3

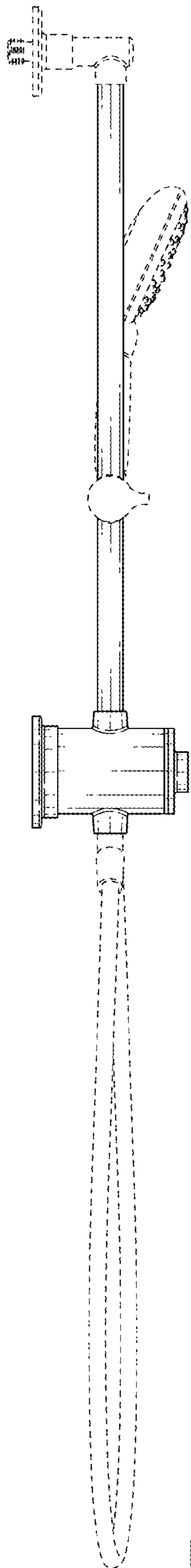


FIG. 4

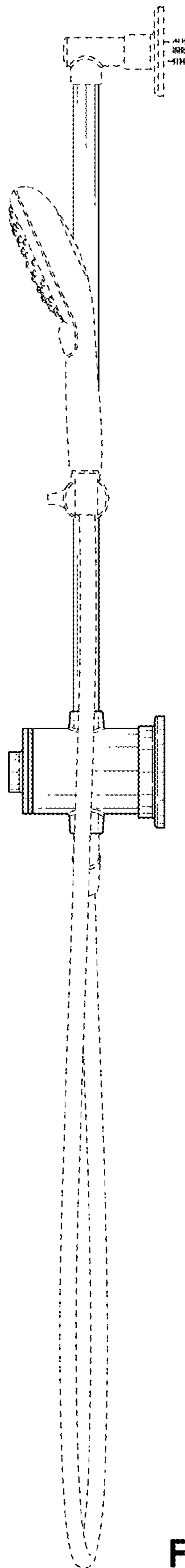


FIG. 5

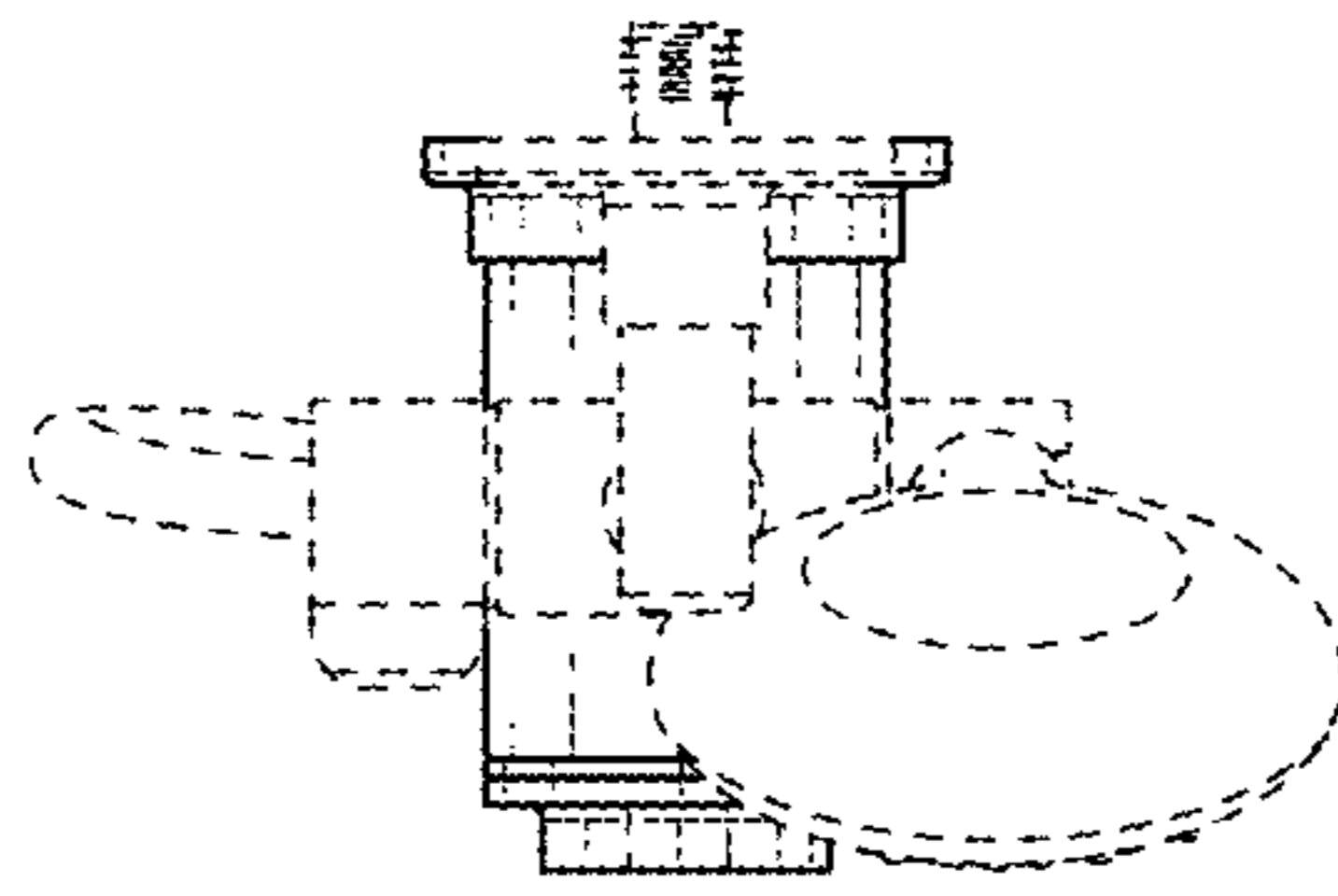


FIG. 6

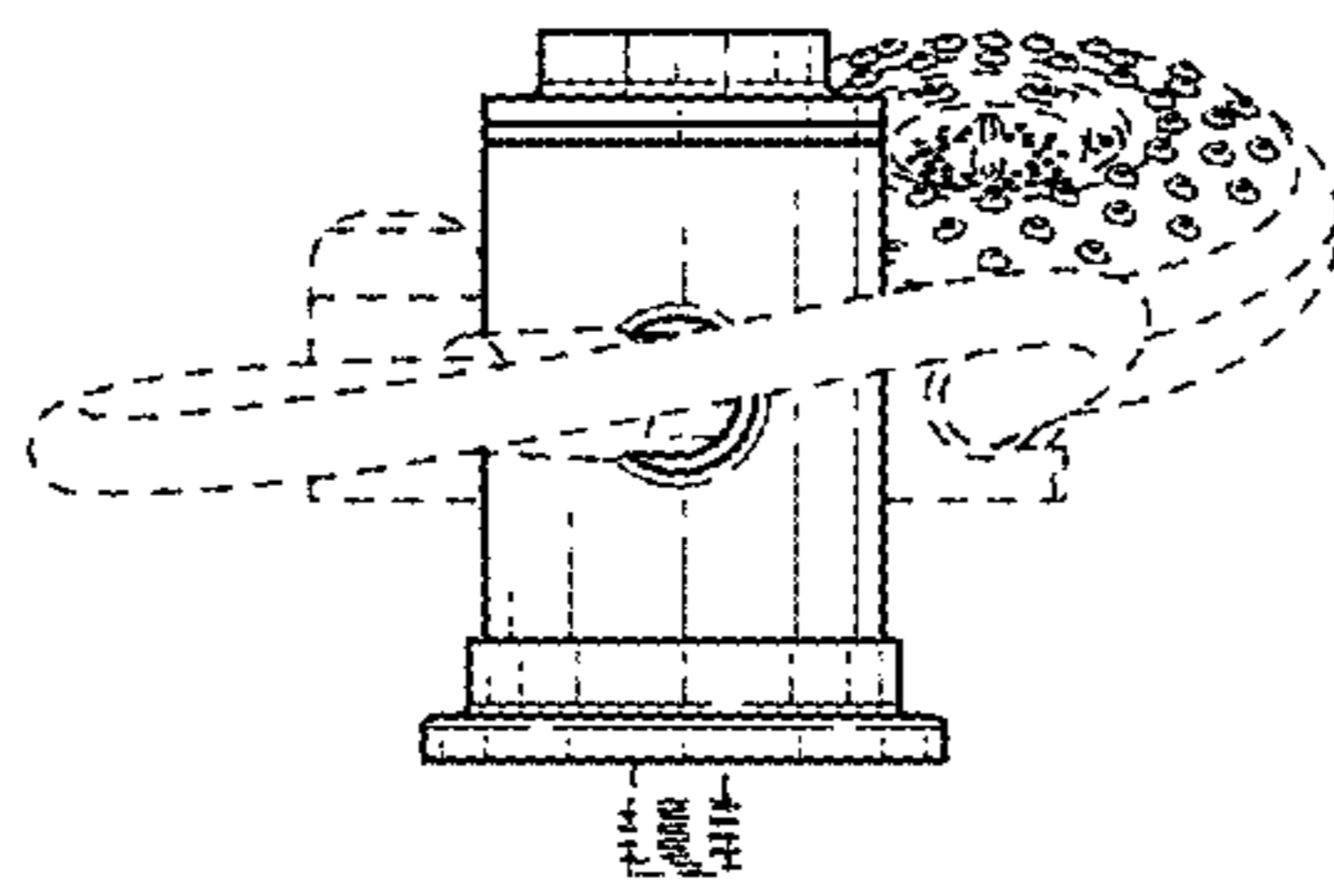


FIG. 7